

US00D500331S

(12) **United States Design Patent**
Crisler, III et al.

(10) **Patent No.: US D500,331 S**

(45) **Date of Patent: ** Dec. 28, 2004**

(54) **WELDER**

(75) Inventors: **Howard E. Crisler, III**, Antioch, TN
(US); **Roger L. DeYoung**, Franklin, TN
(US); **David J. Moore**, Mt. Juliet, TN
(US)

(73) Assignee: **Campbell Hausfeld/Scott Fetzer**
Company, Harrison, OH (US)

(**) Term: **14 Years**

(21) Appl. No.: **29/195,592**

(22) Filed: **Dec. 15, 2003**

Related U.S. Application Data

(62) Division of application No. 10/394,691, filed on Mar. 21,
2003.

(51) **LOC (7) Cl.** **15-09**

(52) **U.S. Cl.** **D15/144**

(58) **Field of Search** D15/144, 144.2,
D15/144.3; 219/130

(56) **References Cited**

U.S. PATENT DOCUMENTS

3,237,051 A * 2/1966 Schober 315/137

D280,329 S * 8/1985 Bouman D15/144
5,208,436 A * 5/1993 Blankenship 219/121.54
5,747,773 A * 5/1998 Griffin et al. 219/130.1
D475,726 S * 6/2003 Suga et al. D15/144
2003/0213789 A1 * 11/2003 Andersen et al. 219/130.1

* cited by examiner

Primary Examiner—Antoine D. Davis

(74) *Attorney, Agent, or Firm*—Jones Day

(57) **CLAIM**

The ornamental design for a welder, as shown and described.

DESCRIPTION

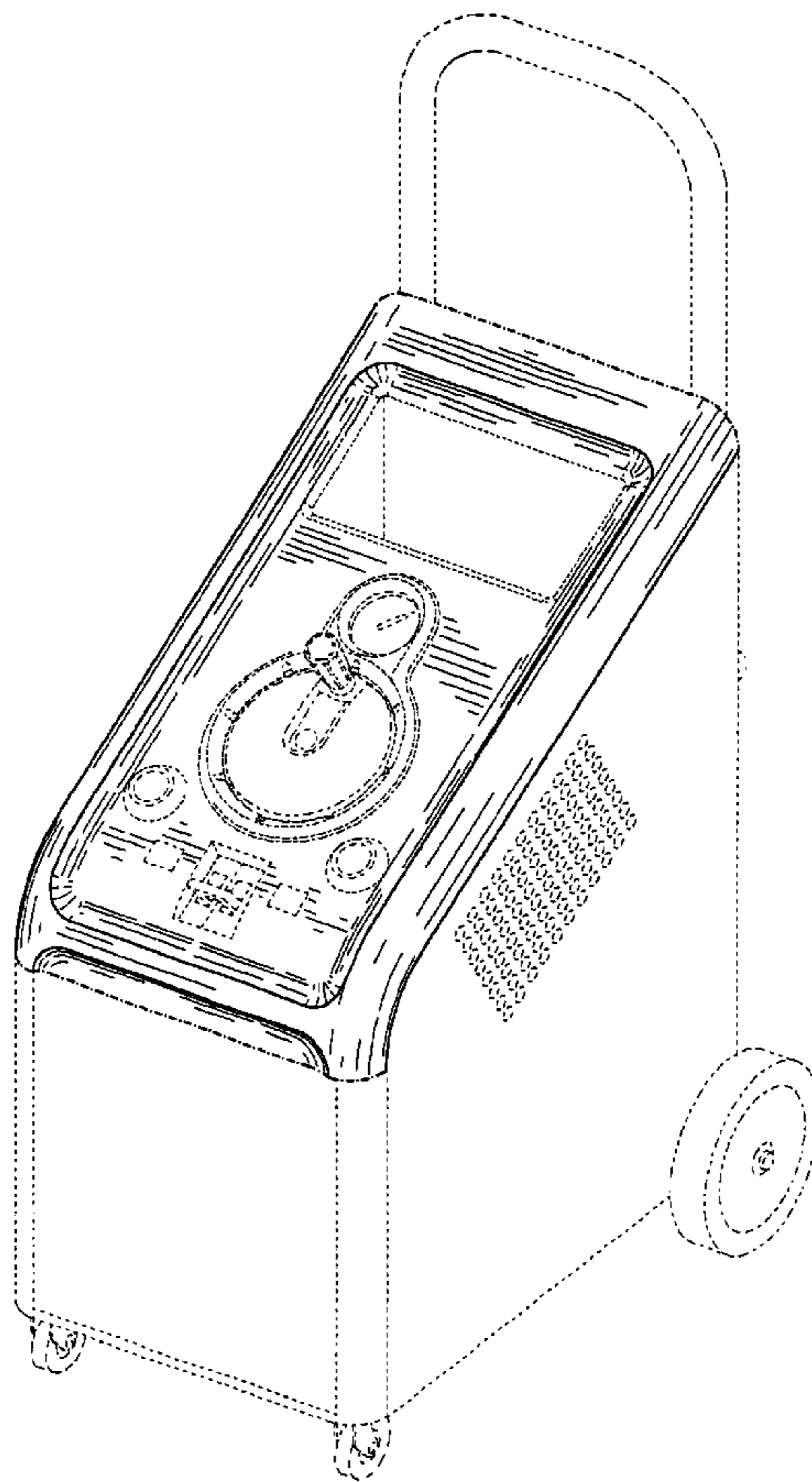
FIG. 1 is a perspective view of a welder embodying the ornamental design of the present invention;

FIG. 2 is front view of the welder; and,

FIG. 3 is a head-on view of a control panel of the welder.

The broken lines in FIGS. 1–3 are for illustrative purposes only and form no part of the claimed design. More specifically, dashed broken lines define unclaimed features. Two horizontal dot-dash broken lines, drawn with heavier weight than the dashed broken lines, located respectively at the top and bottom edges of the control panel, define boundaries of the claimed design.

1 Claim, 3 Drawing Sheets



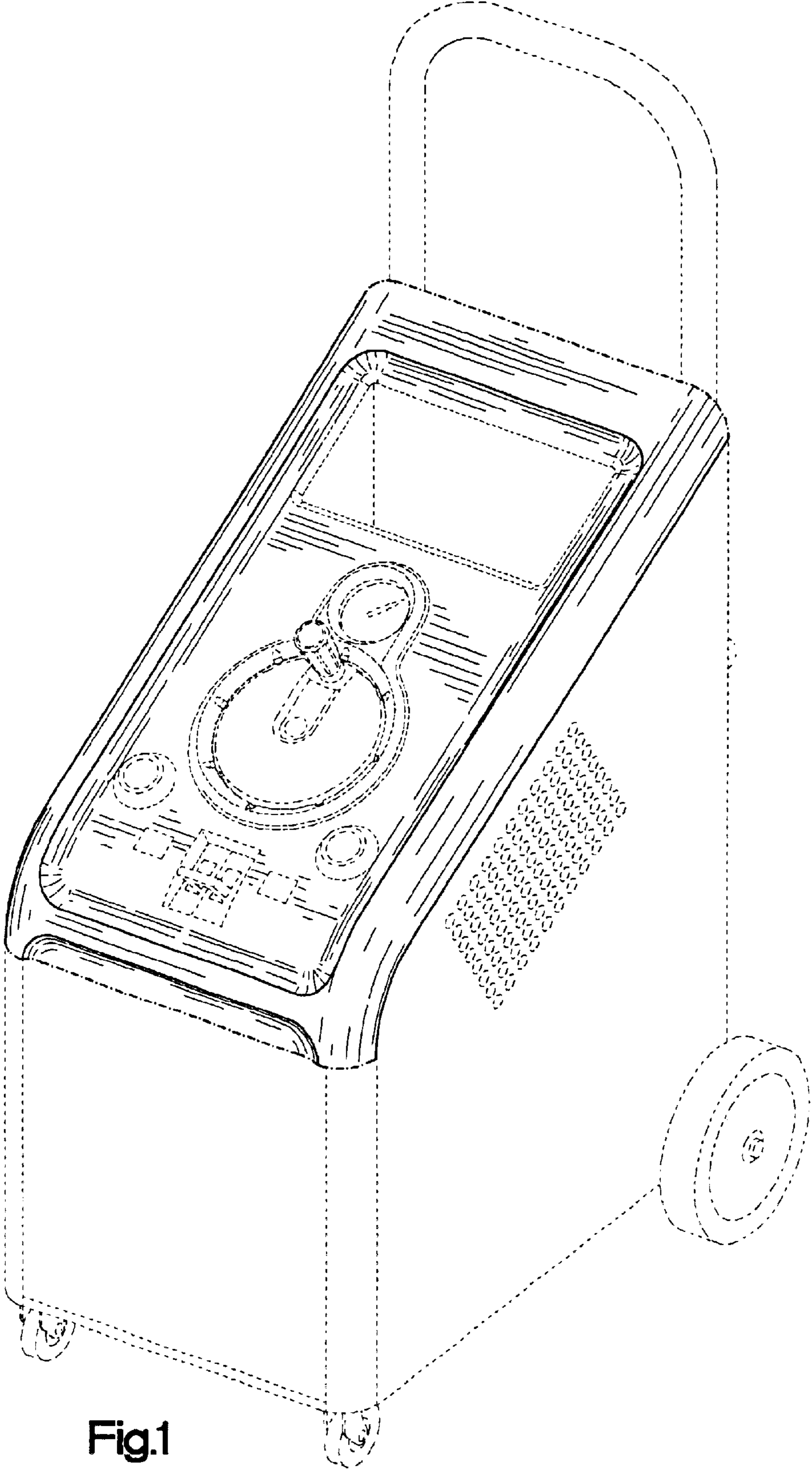


Fig.1

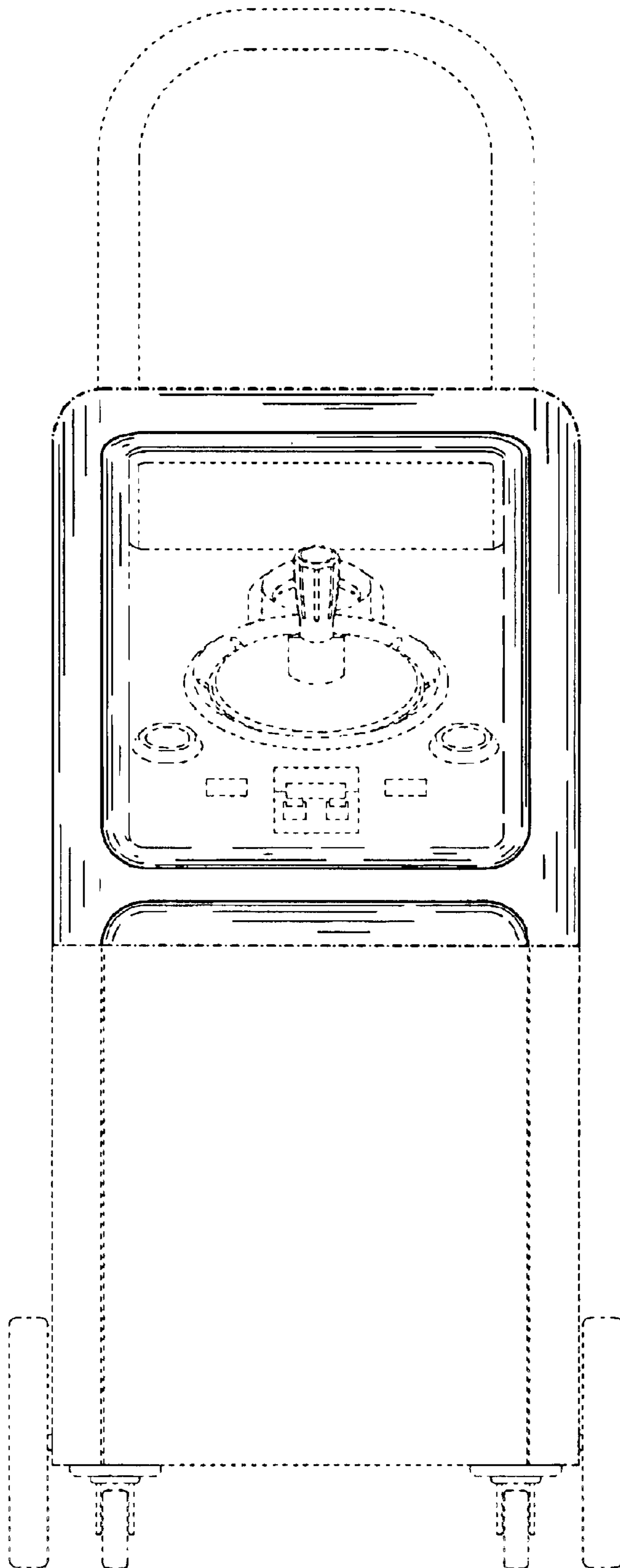


Fig.2

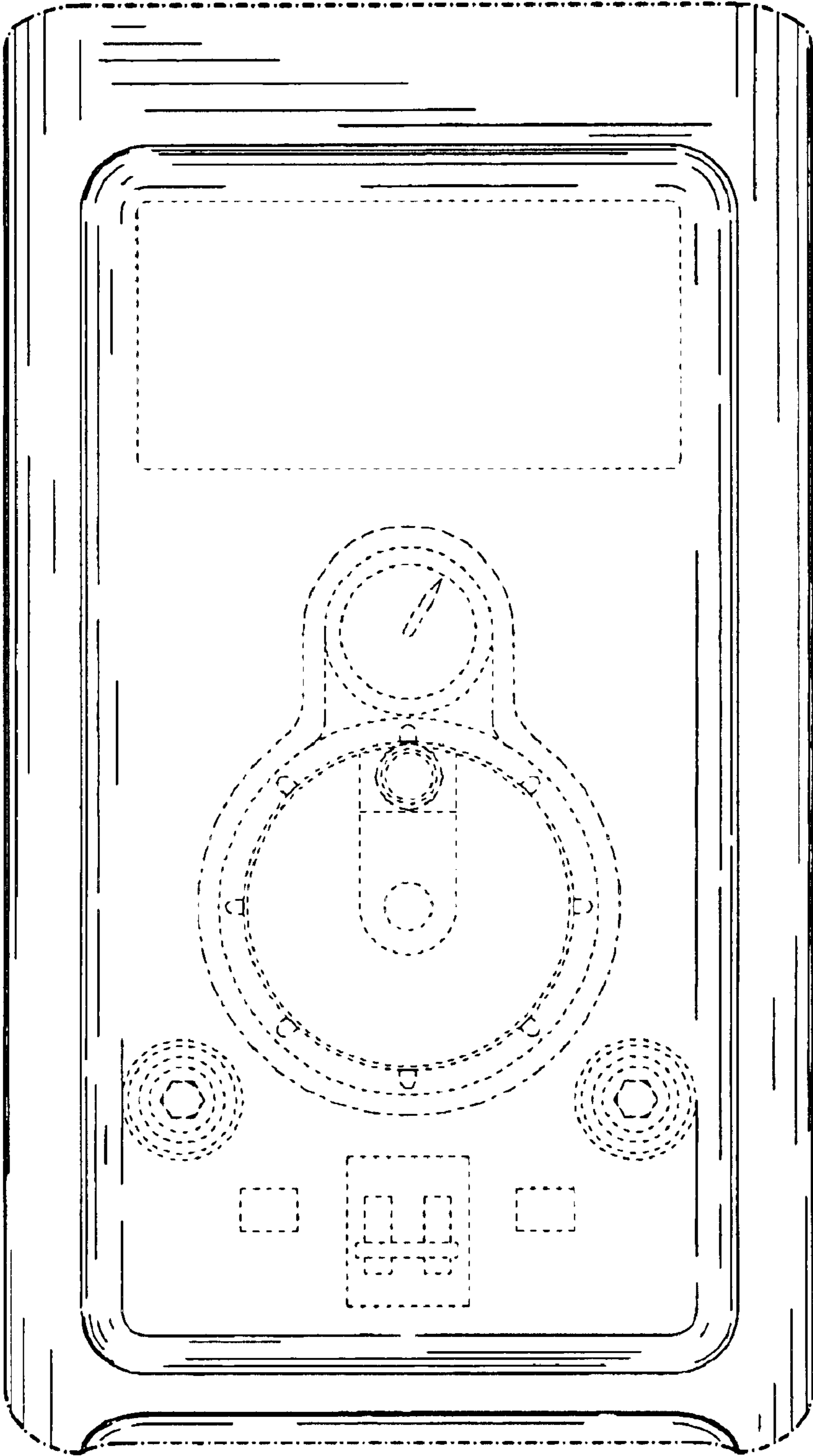


Fig.3