



US00D500330S

(12) **United States Design Patent**  
**Laporte**

(10) **Patent No.:** **US D500,330 S**  
(45) **Date of Patent:** **\*\* Dec. 28, 2004**

(54) **COMPACTING MECHANISM FOR USE WITH A REFUSE CONTAINER**

(75) Inventor: **Yvan Laporte**, Longueuil (CA)

(73) Assignee: **Garbage Genie Concept 2000 Limited**, Dublin (IE)

(\*\*) Term: **14 Years**

(21) Appl. No.: **29/185,980**

(22) Filed: **Jul. 7, 2003**

(30) **Foreign Application Priority Data**

Jan. 6, 2003 (IE) ..... 2003/0007  
Jan. 6, 2003 (IE) ..... 2003/0006

(51) **LOC (7) Cl.** ..... **15-09**

(52) **U.S. Cl.** ..... **D15/123**

(58) **Field of Search** ..... D15/123; 100/229 A,  
100/229 R, 901-902, 915

(56) **References Cited**

**U.S. PATENT DOCUMENTS**

5,069,121 A \* 12/1991 Fletcher ..... 100/137  
6,305,278 B1 \* 10/2001 Freeberg ..... 100/100

\* cited by examiner

*Primary Examiner*—Antoine D. Davis  
(74) *Attorney, Agent, or Firm*—Porter Wright Morris & Arthur LLP

(57) **CLAIM**

The ornamental design for a compacting mechanism for use with a refuse container, as shown and described.

**DESCRIPTION**

FIG. 1 is a perspective view of a compacting mechanism for use with a refuse container showing my new design;  
FIG. 2 is a front elevational view of the compacting mechanism for use with a refuse container of FIG. 1;  
FIG. 3 is a rear elevational view of the compacting mechanism for use with a refuse container of FIGS. 1 and 2;  
FIG. 4 is a left side elevational view of the compacting mechanism for use with a refuse container of FIGS. 1 to 3, the right side elevational view being a mirror image thereof;  
FIG. 5 is a top plan view of the compacting mechanism for use with a refuse container of FIGS. 1 to 4; and,  
FIG. 6 is a bottom plan view of the compacting mechanism for use with a refuse container of FIGS. 1 to 5.

**1 Claim, 4 Drawing Sheets**

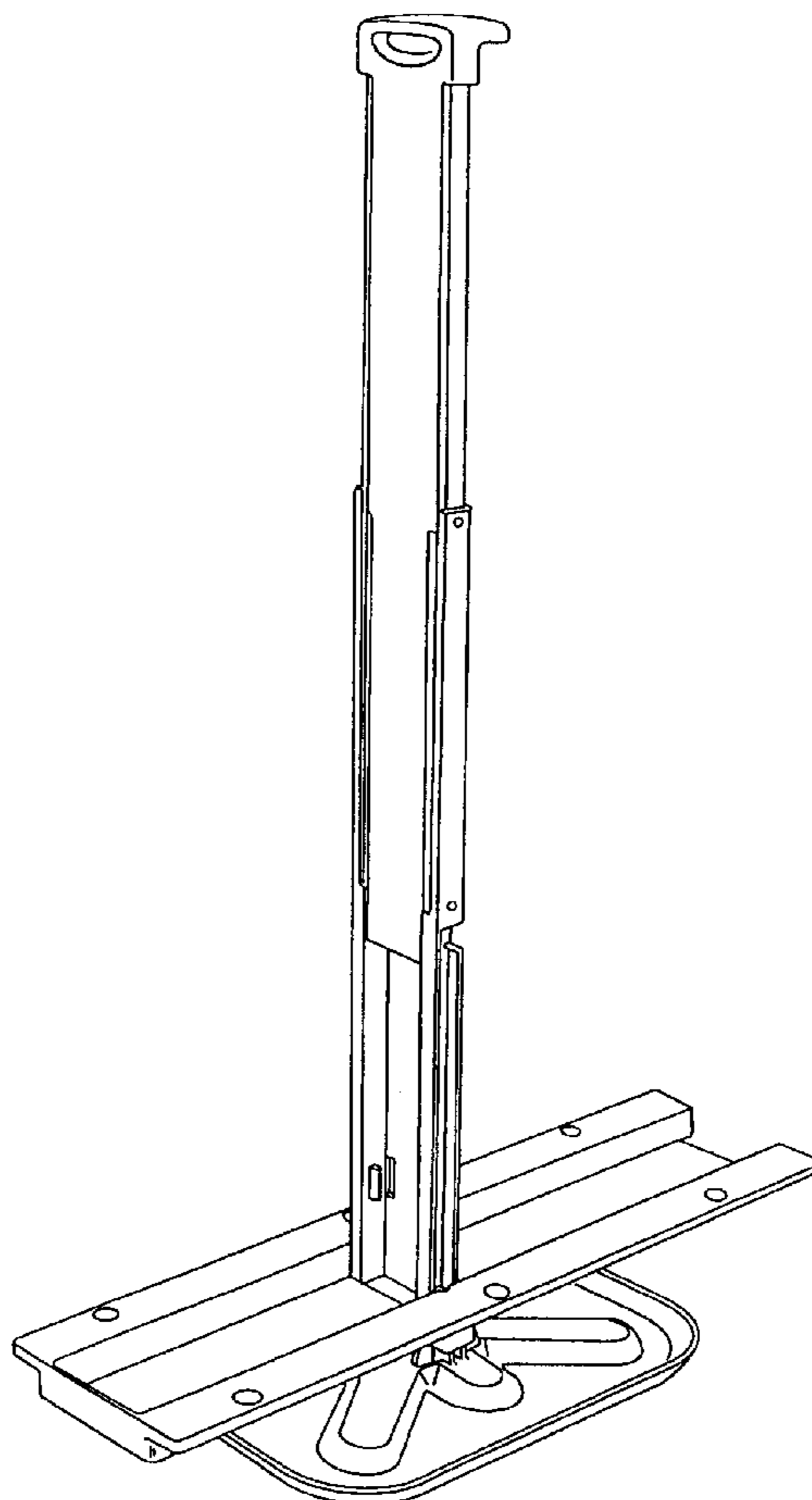


Fig. 1

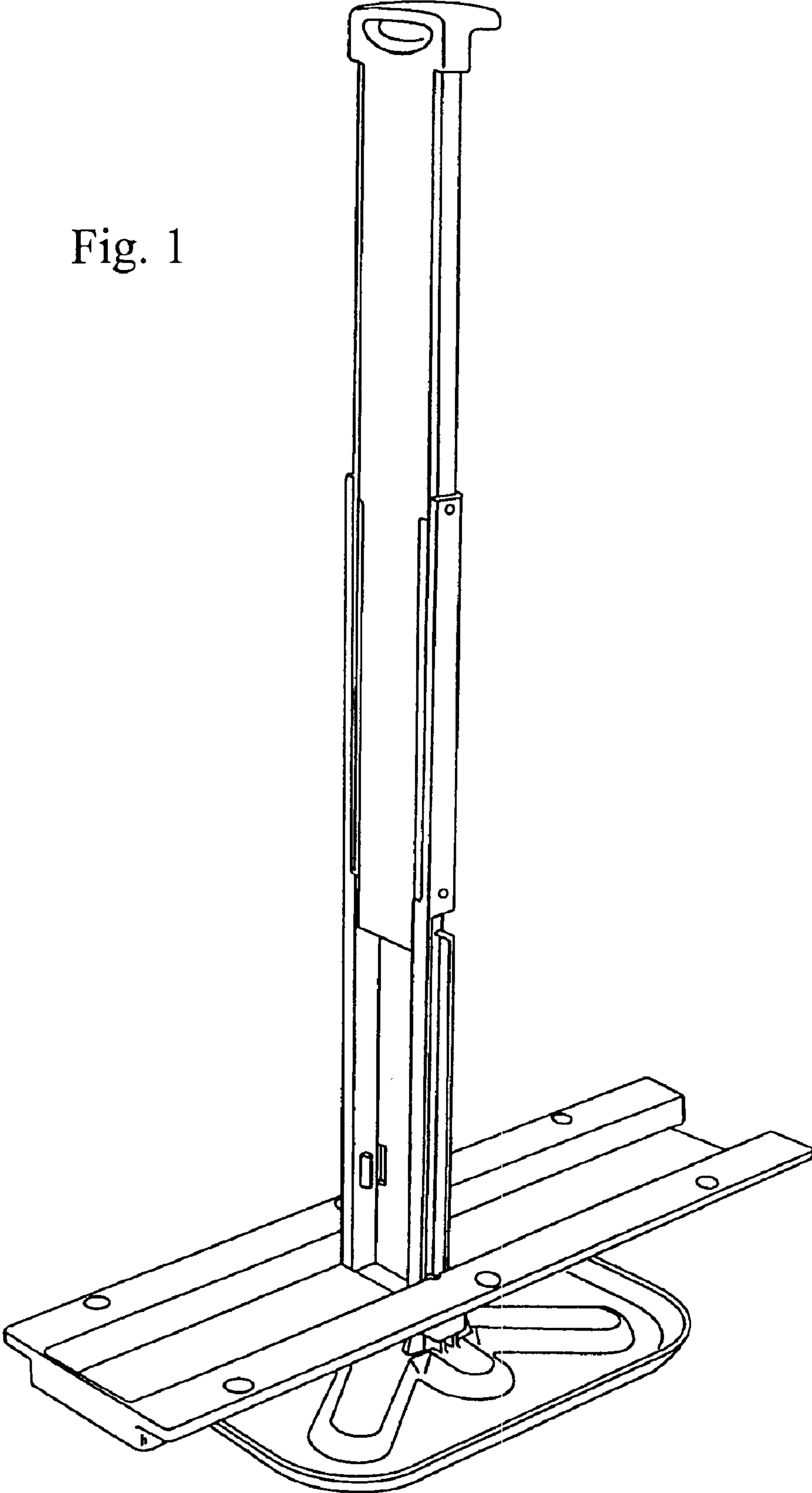


Fig. 3

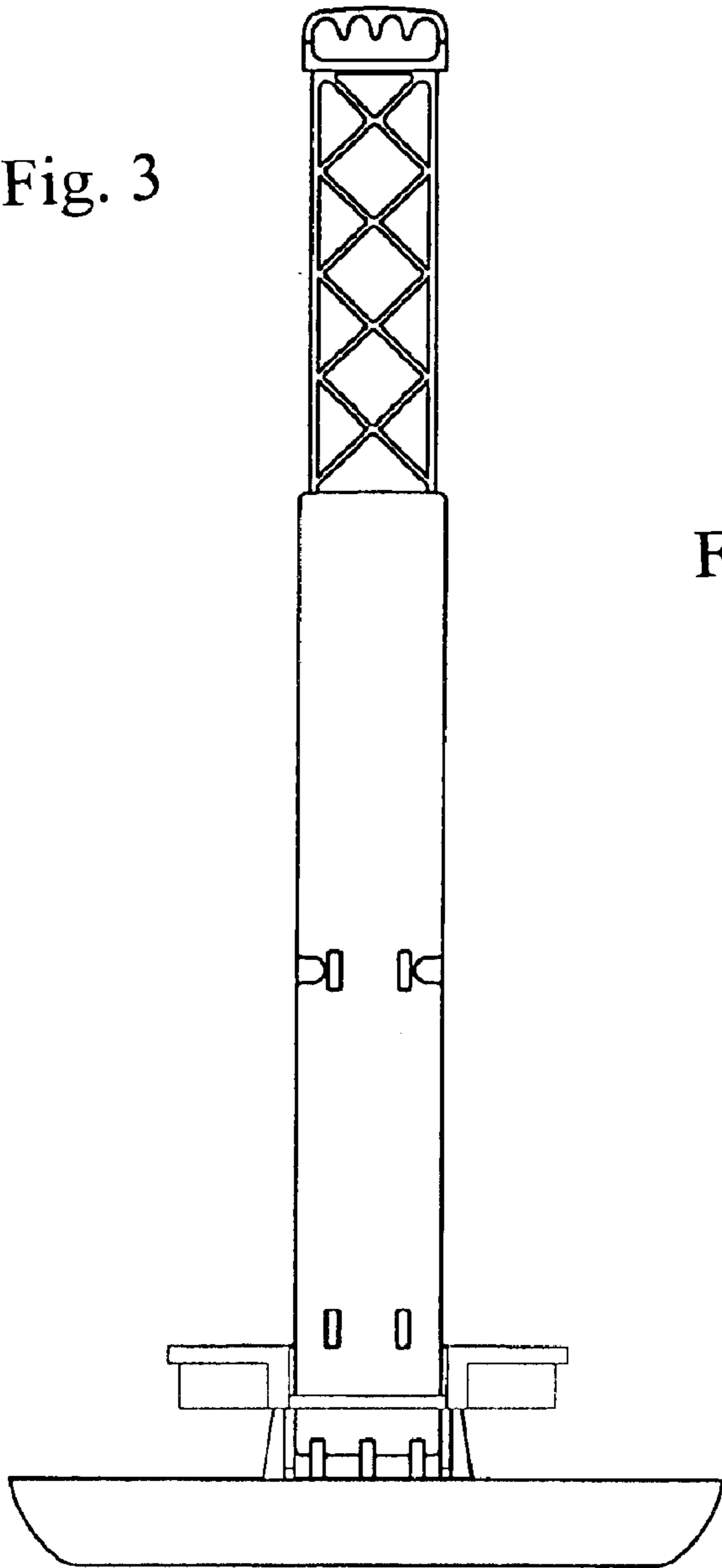


Fig. 2

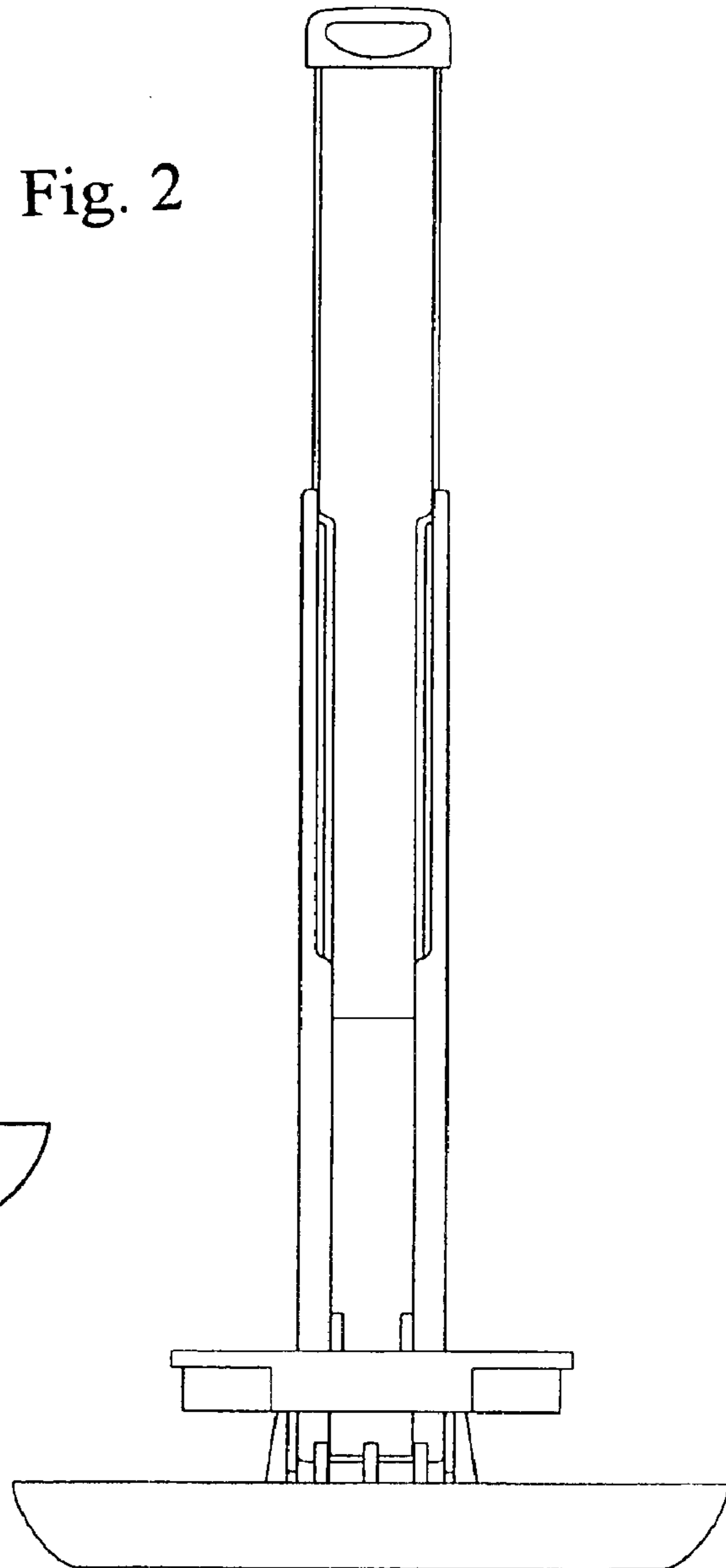


Fig. 4

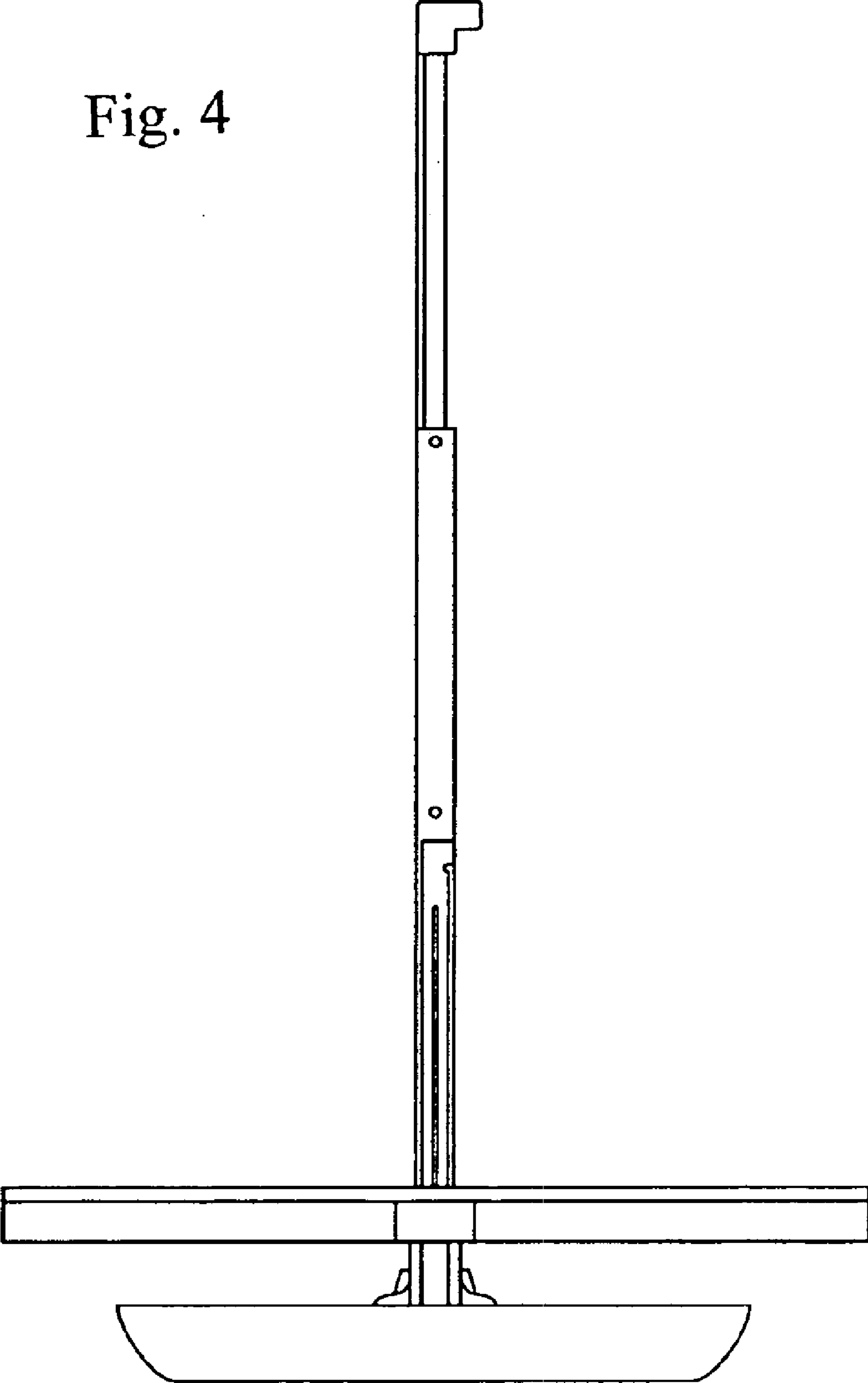


Fig. 5

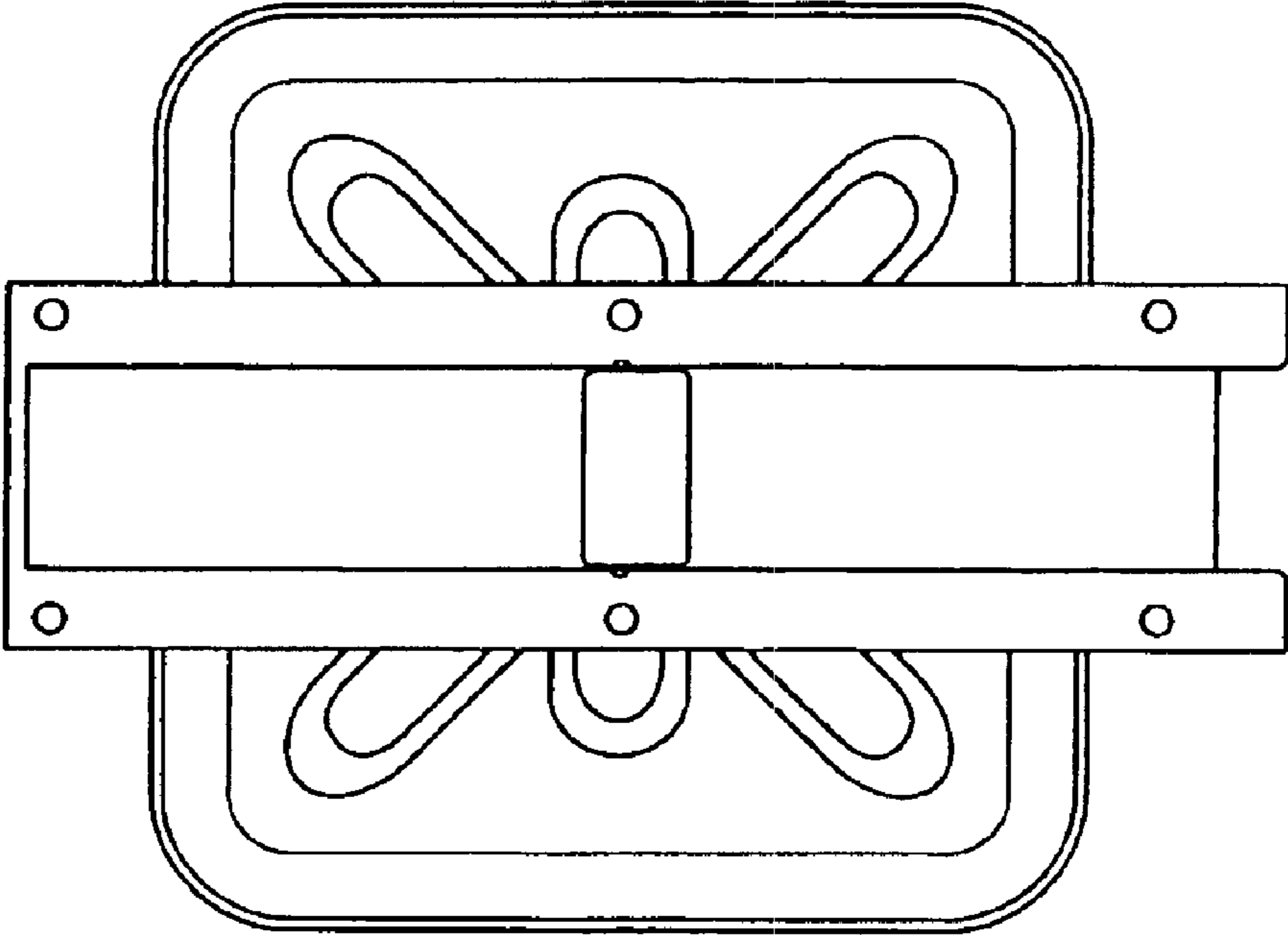


Fig. 6

