

US00D500329S

(12) **United States Design Patent**
Bauve et al.

(10) **Patent No.:** **US D500,329 S**
(45) **Date of Patent:** **** Dec. 28, 2004**

(54) **COMPACTING MACHINE**

(75) Inventors: **Bruno G. Bauve**, Verderonne (FR);
Gerard M. Froberger, Saint Vaast les
Mello (FR); **Douglas V. Montgomery**,
Downers Grove, IL (US); **Gregg C.**
Montgomery, Hinsdale, IL (US); **Brian**
G. Moriarity, Big Lake, MN (US);
Steve B. Nelson, Brooklyn Park, MN
(US)

(73) Assignee: **Caterpillar Paving Products Inc.**,
Minneapolis, MN (US)

(**) Term: **14 Years**

(21) Appl. No.: **29/112,089**

(22) Filed: **Oct. 8, 1999**

(51) **LOC (7) Cl.** **15-04**

(52) **U.S. Cl.** **D15/28**

(58) **Field of Search** D15/20, 28; 296/190.01,
296/190.08, 190.1, 193; 404/122, 125, 128

(56) **References Cited**

U.S. PATENT DOCUMENTS

D207,532 S * 5/1967 Garis et al.

4,221,274 A * 9/1980 Martin, Jr.
D275,678 S * 9/1984 Mawhorr et al. D15/20
4,964,753 A * 10/1990 Ciminelli et al. 404/122
5,304,013 A * 4/1994 Parsons 404/128
5,397,198 A * 3/1995 Bertrand 404/122

* cited by examiner

Primary Examiner—Dominic Simone
(74) *Attorney, Agent, or Firm*—Jeff A Greene

(57) **CLAIM**

The ornamental design for a compacting machine, substan-
tially as shown and described.

DESCRIPTION

FIG. 1 is a right side elevational view of a compacting
machine showing our new design;
FIG. 2 is a left side elevational view thereof;
FIG. 3 is a front elevational view thereof;
FIG. 4 is a rear elevational view thereof;
FIG. 5 is a top plan view thereof; and,
FIG. 6 is a right side perspective view.

The broken lines showing of portions of a machine frame
and wheels are for illustrative purposes showing only gen-
eral environment, and form no part of the claimed design.

1 Claim, 6 Drawing Sheets

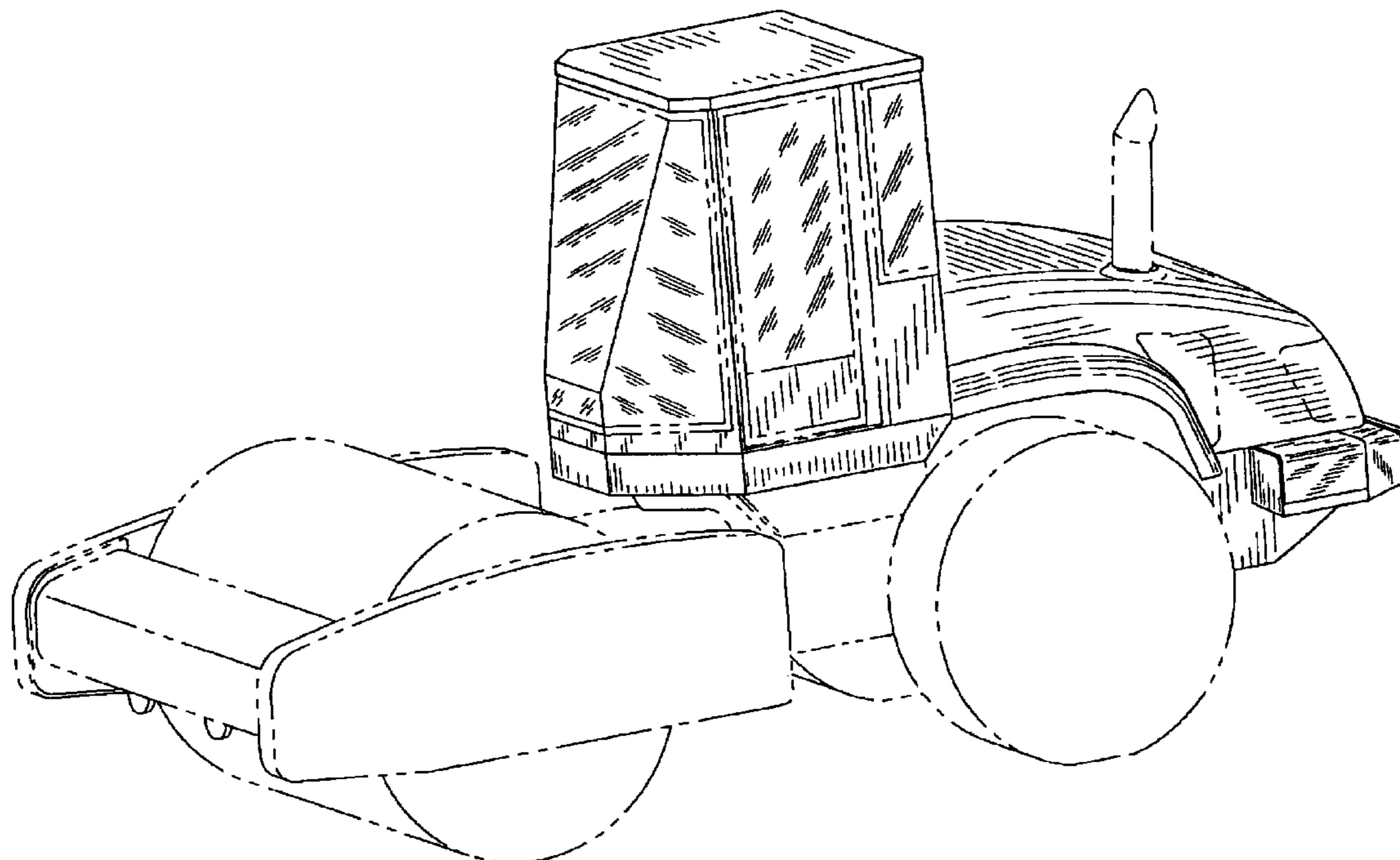


FIG. 1

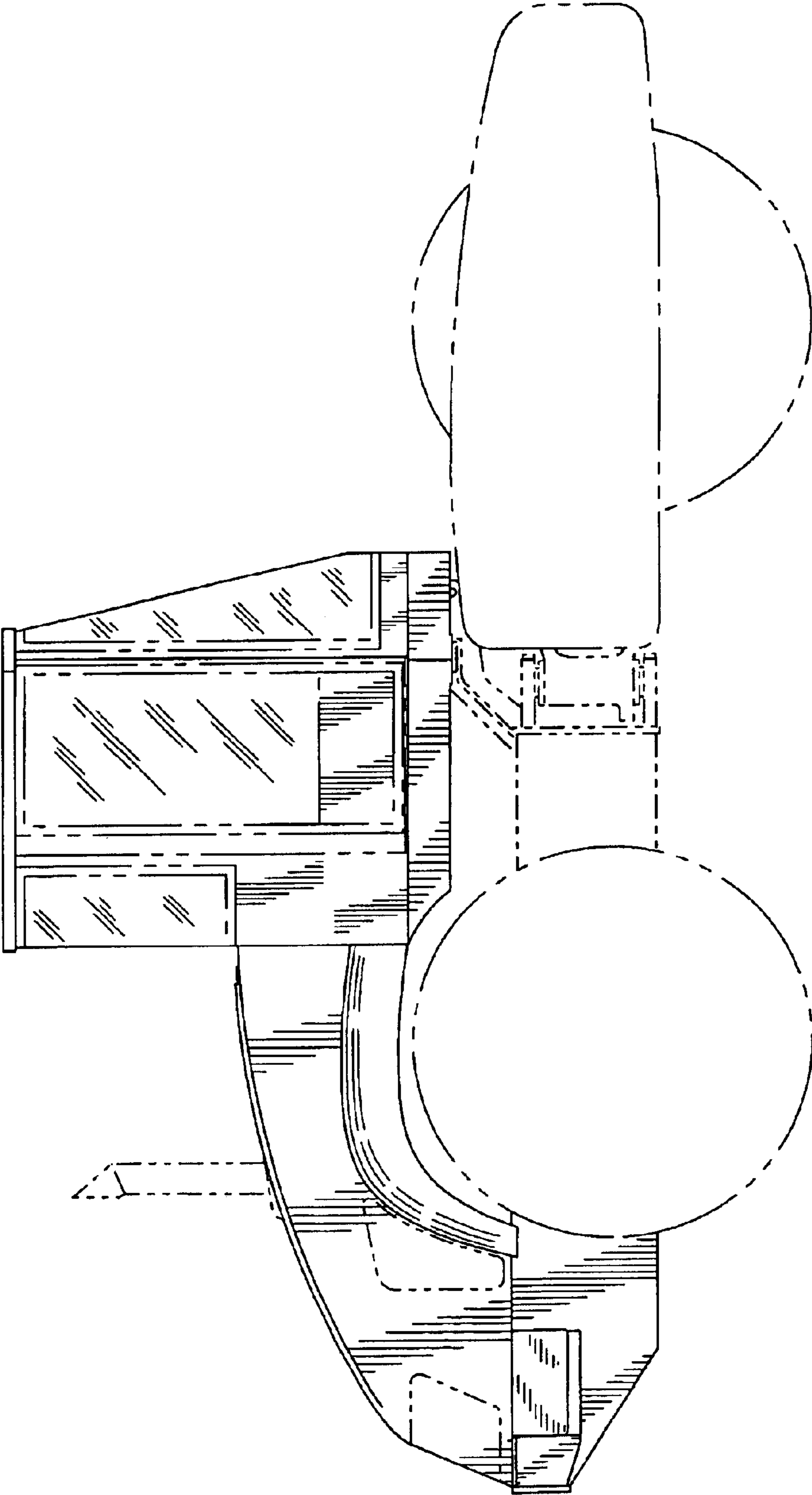


FIG. 2

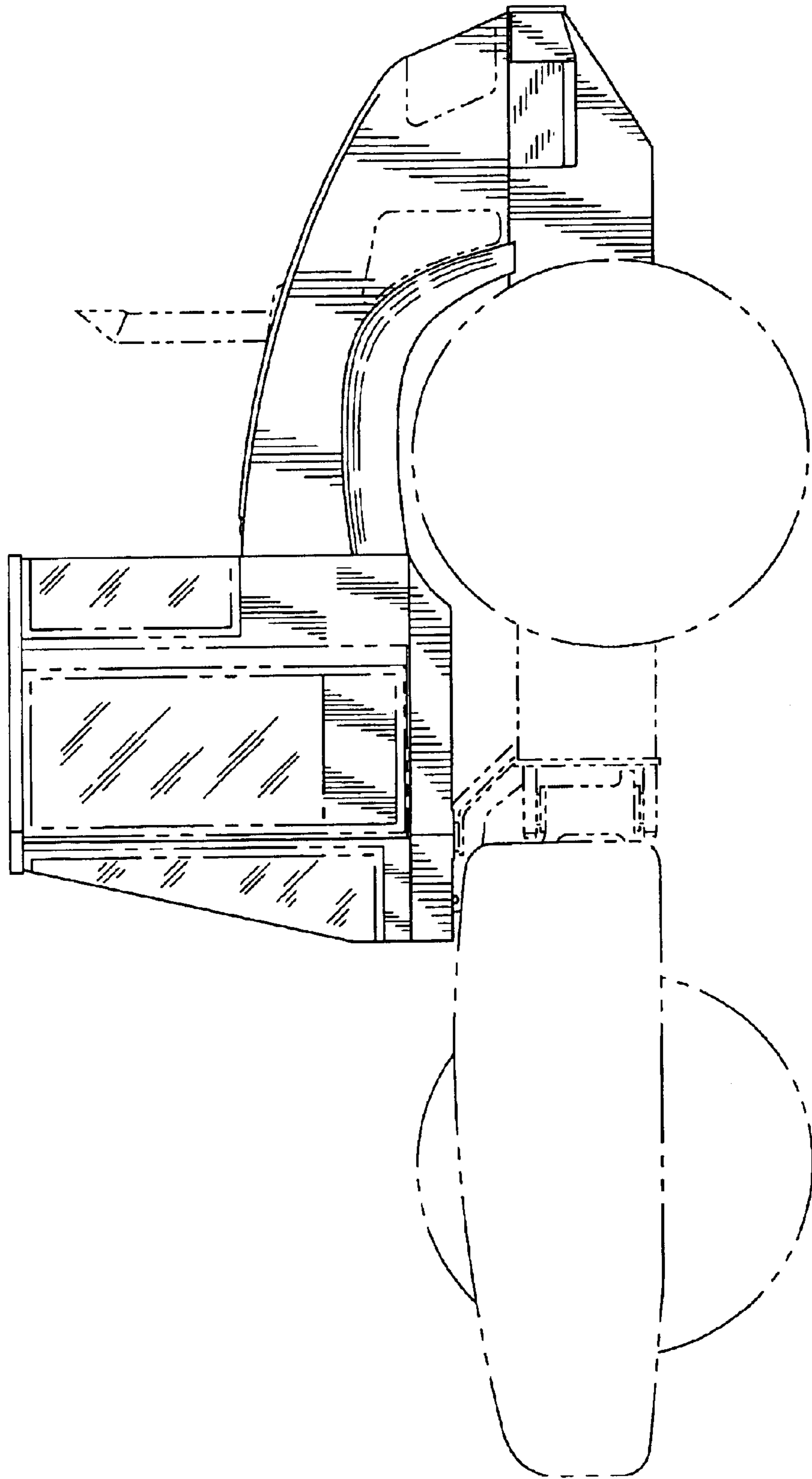


FIG. 3.

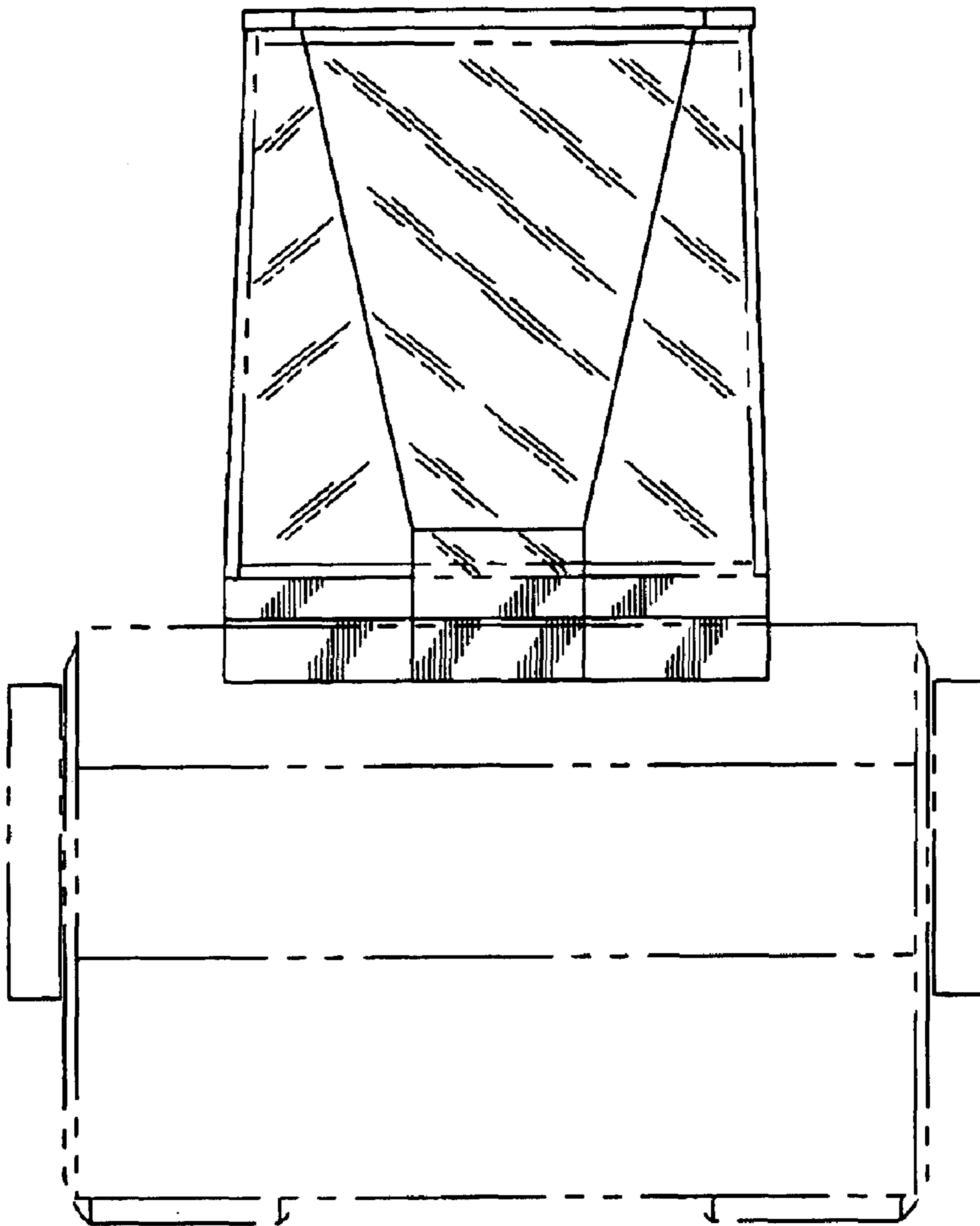


FIG. 4.

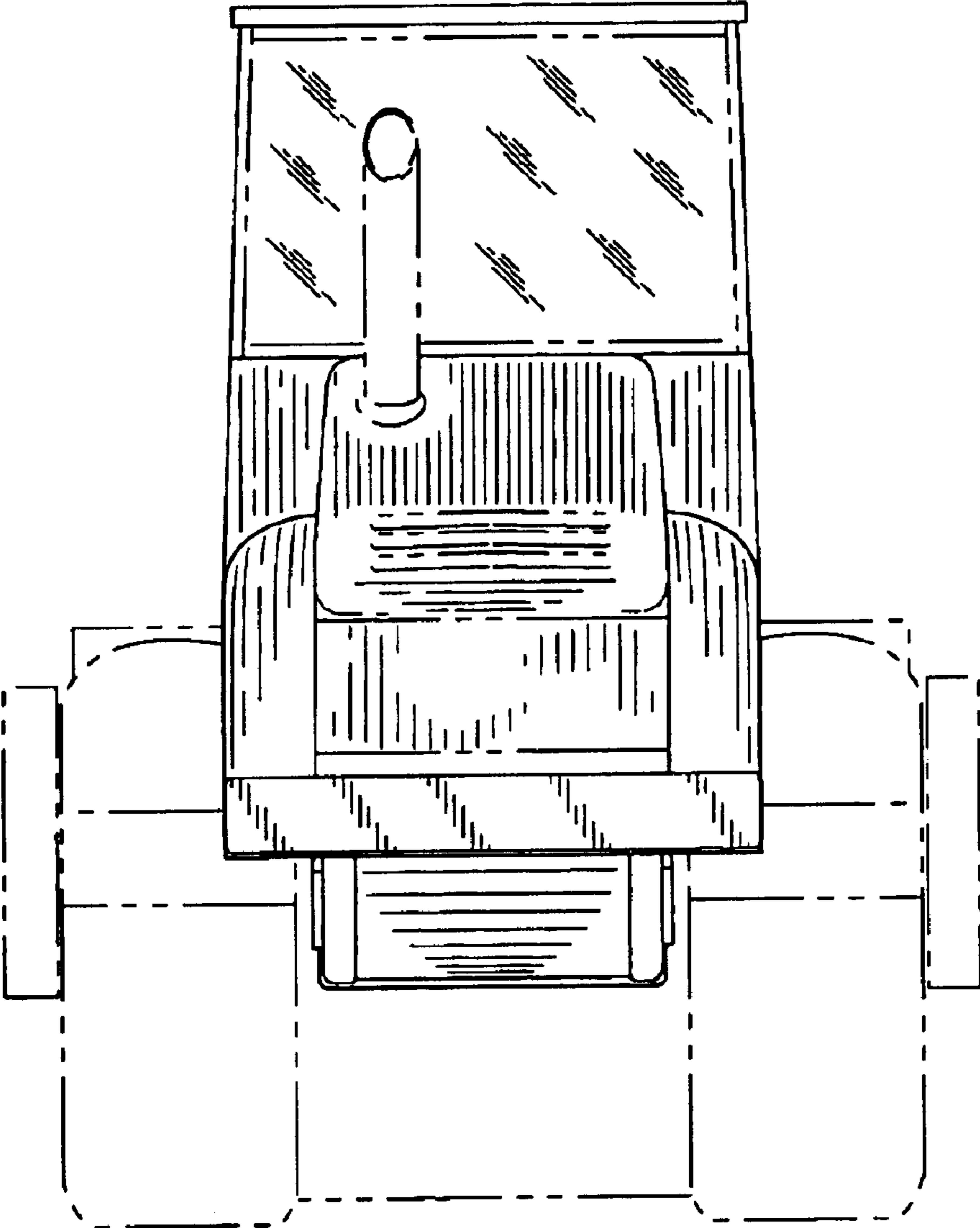
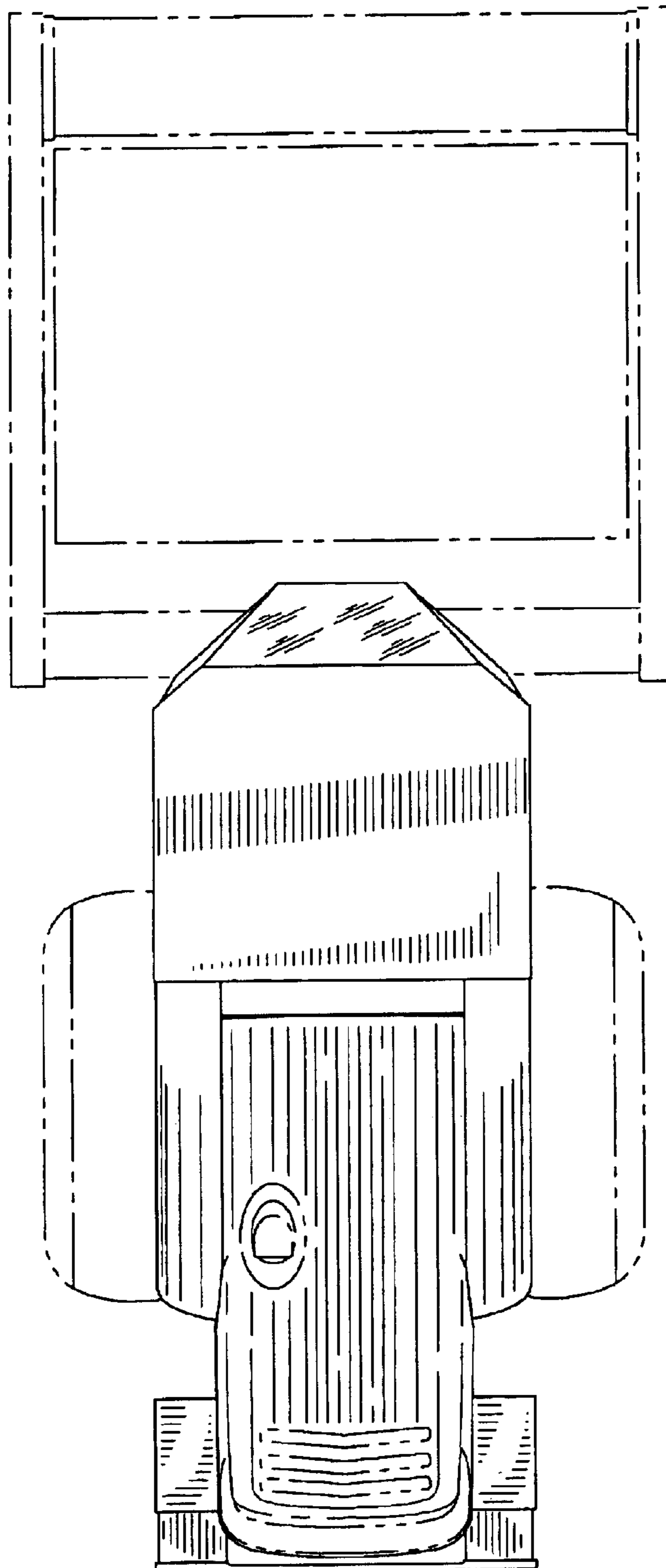


FIG. 5.



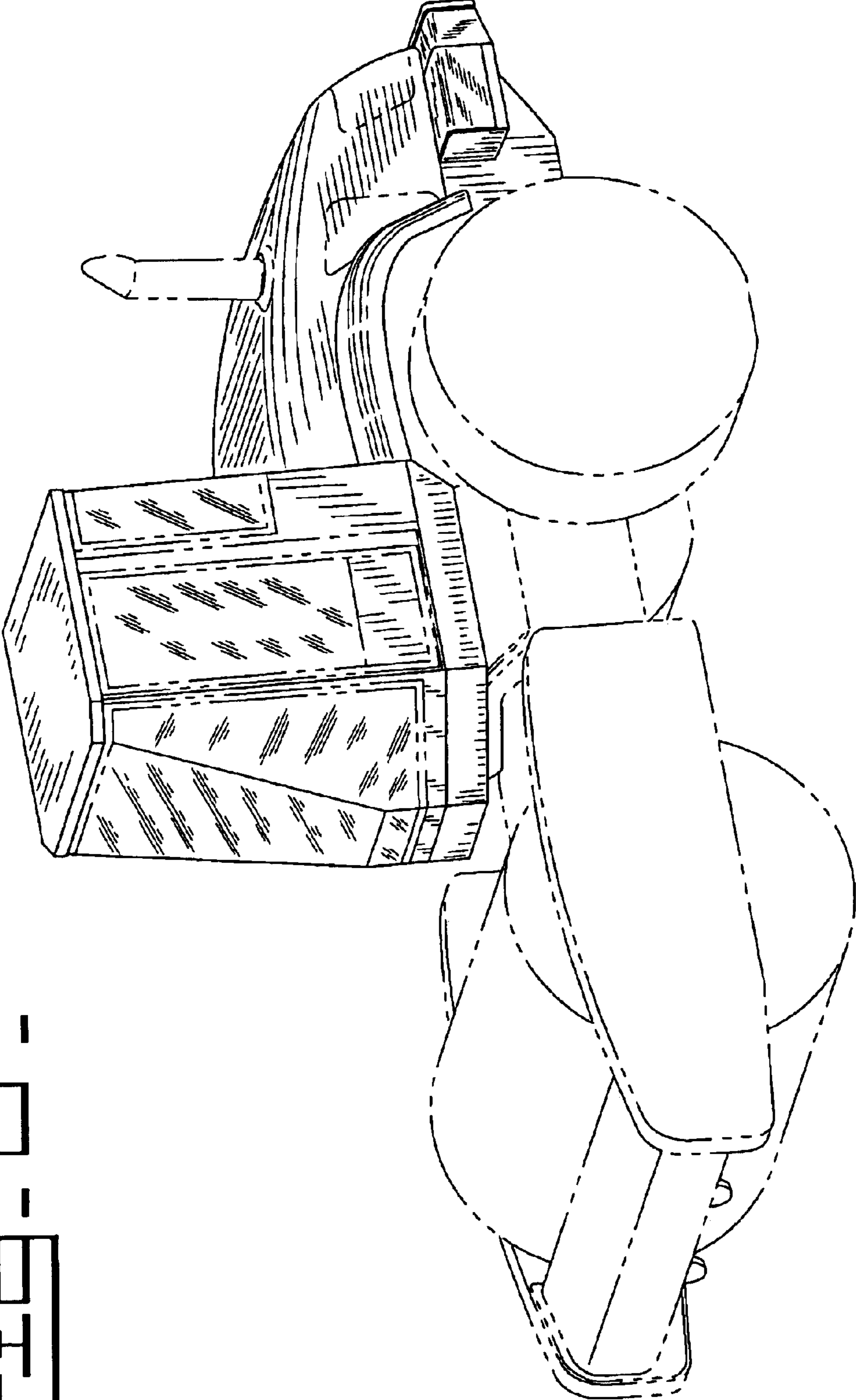


FIG. 6