

US00D500328S

(12) **United States Design Patent**
Lucchi

(10) **Patent No.:** **US D500,328 S**
(45) **Date of Patent:** **** Dec. 28, 2004**

(54) **PORTABLE AIR COMPRESSOR**
(75) **Inventor:** **Fabio Lucchi, Sasso Marconi (IT)**
(73) **Assignee:** **F.I.A.C. S.p.A., Bologna (IT)**
(**) **Term:** **14 Years**

D449,311 S * 10/2001 Graber et al. D15/9
D454,357 S * 3/2002 Diels D15/7
6,406,270 B1 * 6/2002 Kopel 417/237
D489,327 S * 5/2004 Imai D13/116

* cited by examiner

Primary Examiner—Ralf Seifert
(74) *Attorney, Agent, or Firm*—Pearne & Gordon LLP

(21) **Appl. No.:** **29/195,138**
(22) **Filed:** **Dec. 5, 2003**

(57) **CLAIM**

The ornamental design for a portable air compressor, as shown and described.

(30) **Foreign Application Priority Data**

Jun. 13, 2003 (IT) BO200300036

DESCRIPTION

(51) **LOC (7) Cl.** **15-02**
(52) **U.S. Cl.** **D15/9**
(58) **Field of Search** D15/7-9; 417/321,
417/410, 413.1, 415, 423.3, 486, 521, 534;
415/148

FIG. 1 is a perspective view of a portable air compressor showing my new design;
FIG. 2 is a front view thereof;
FIG. 3 is a rear view thereof;
FIG. 4 is a left-side view thereof;
FIG. 5 is a right-side view thereof;
FIG. 6 is a top view thereof; and,
FIG. 7 is a bottom view thereof.

(56) **References Cited**

U.S. PATENT DOCUMENTS

D276,997 S * 1/1985 Mikado D13/116
D278,425 S * 4/1985 Toshihiko D13/116

1 Claim, 4 Drawing Sheets

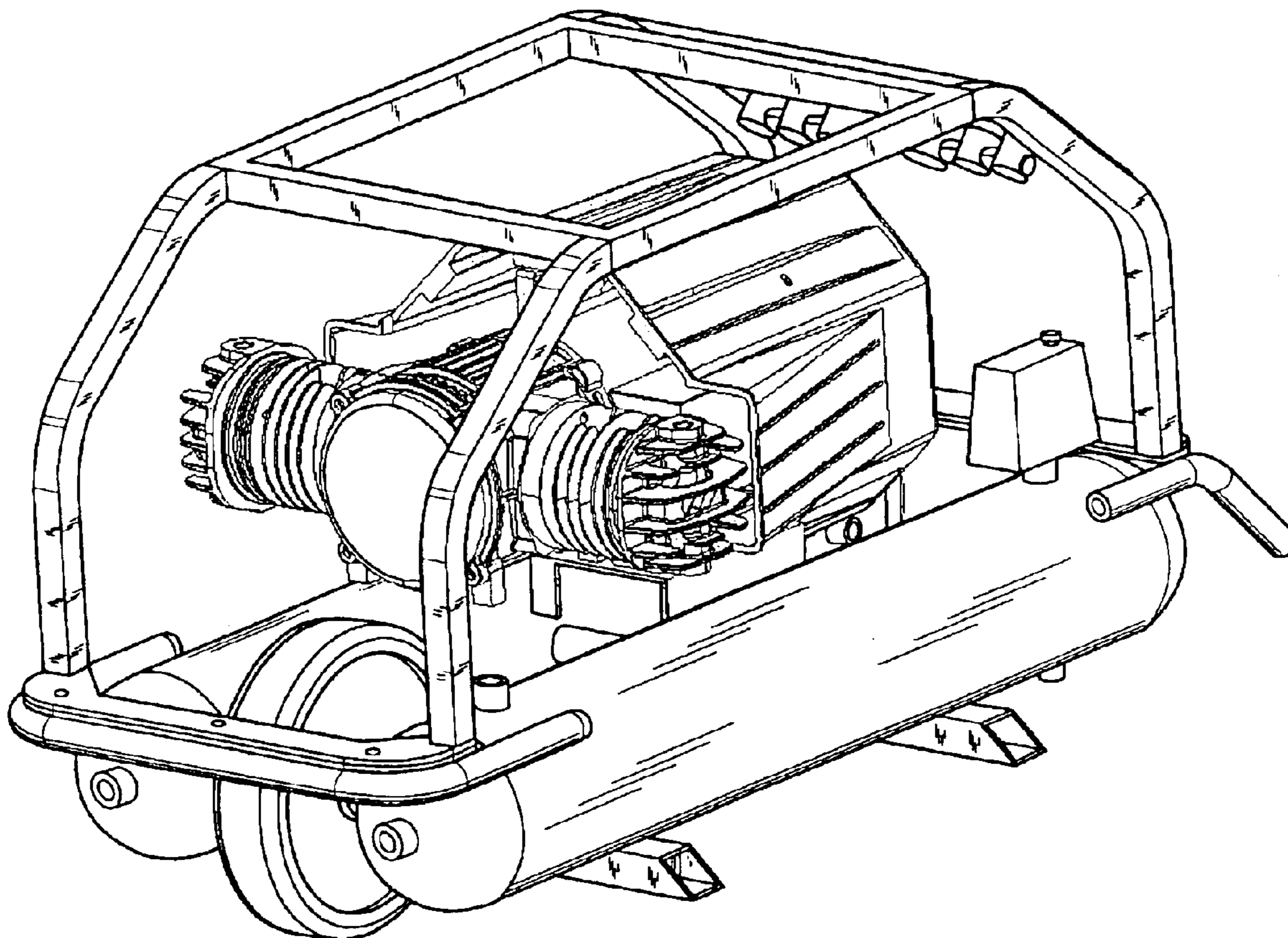


FIG. 1

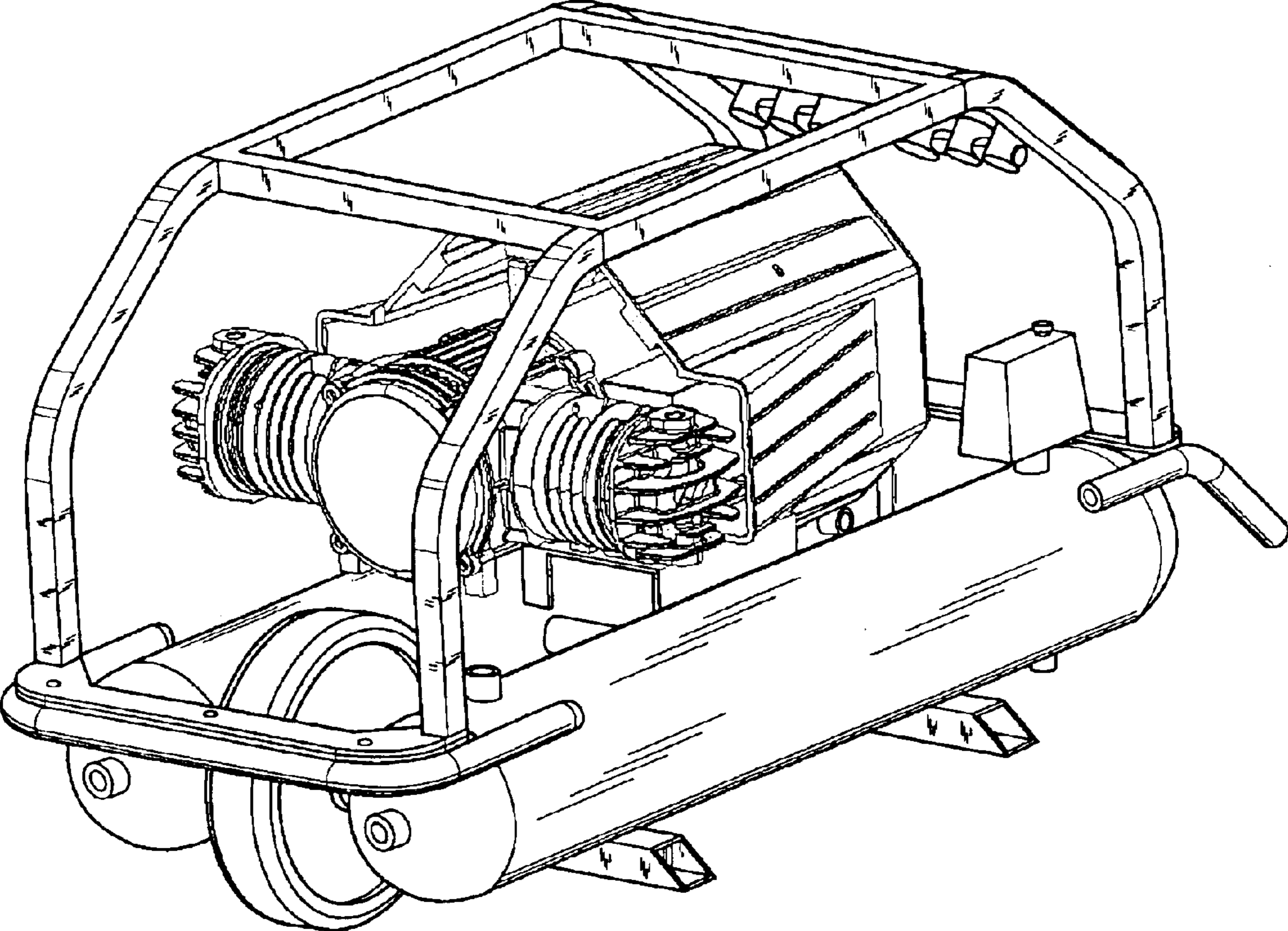


FIG. 2

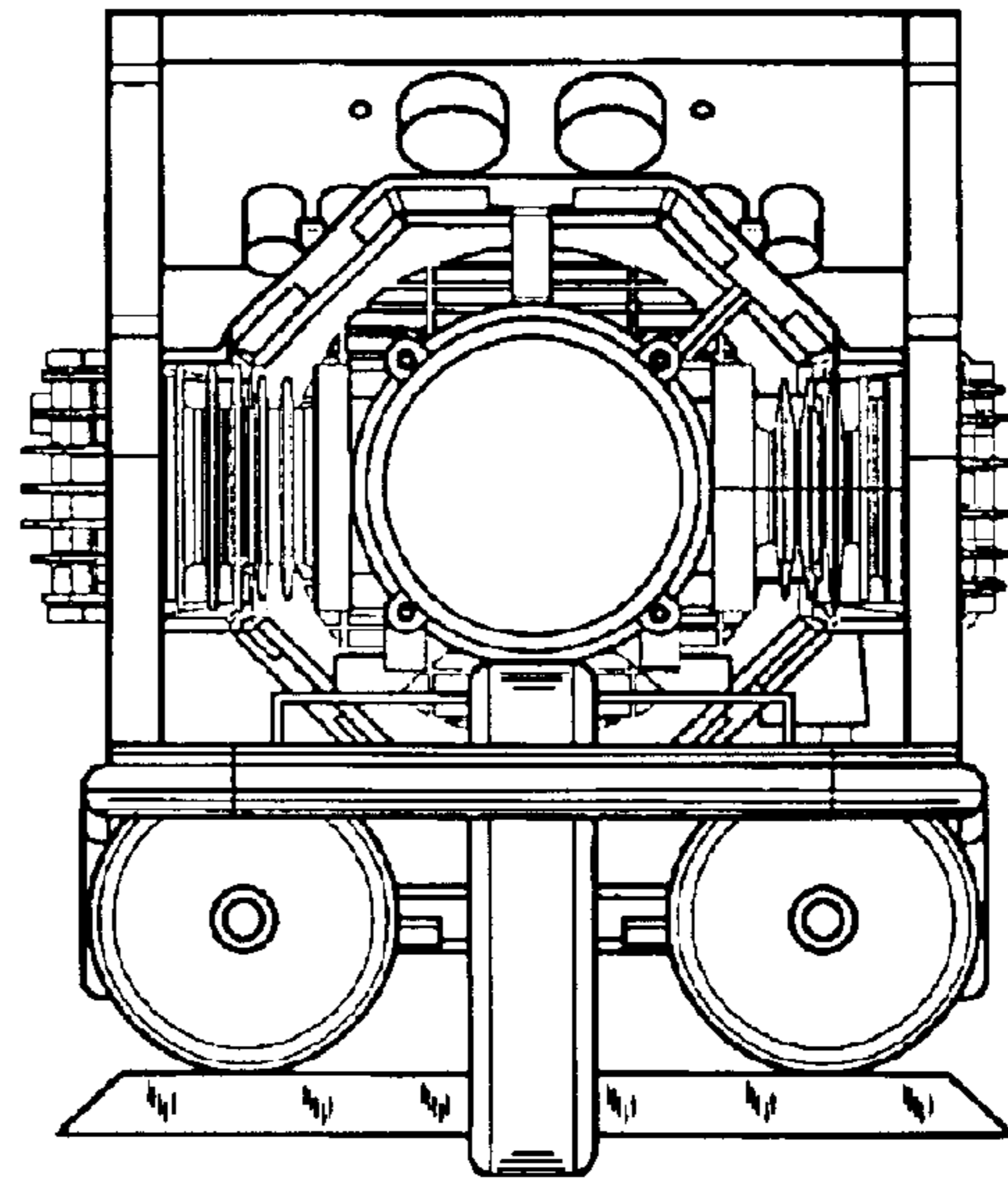


FIG. 3

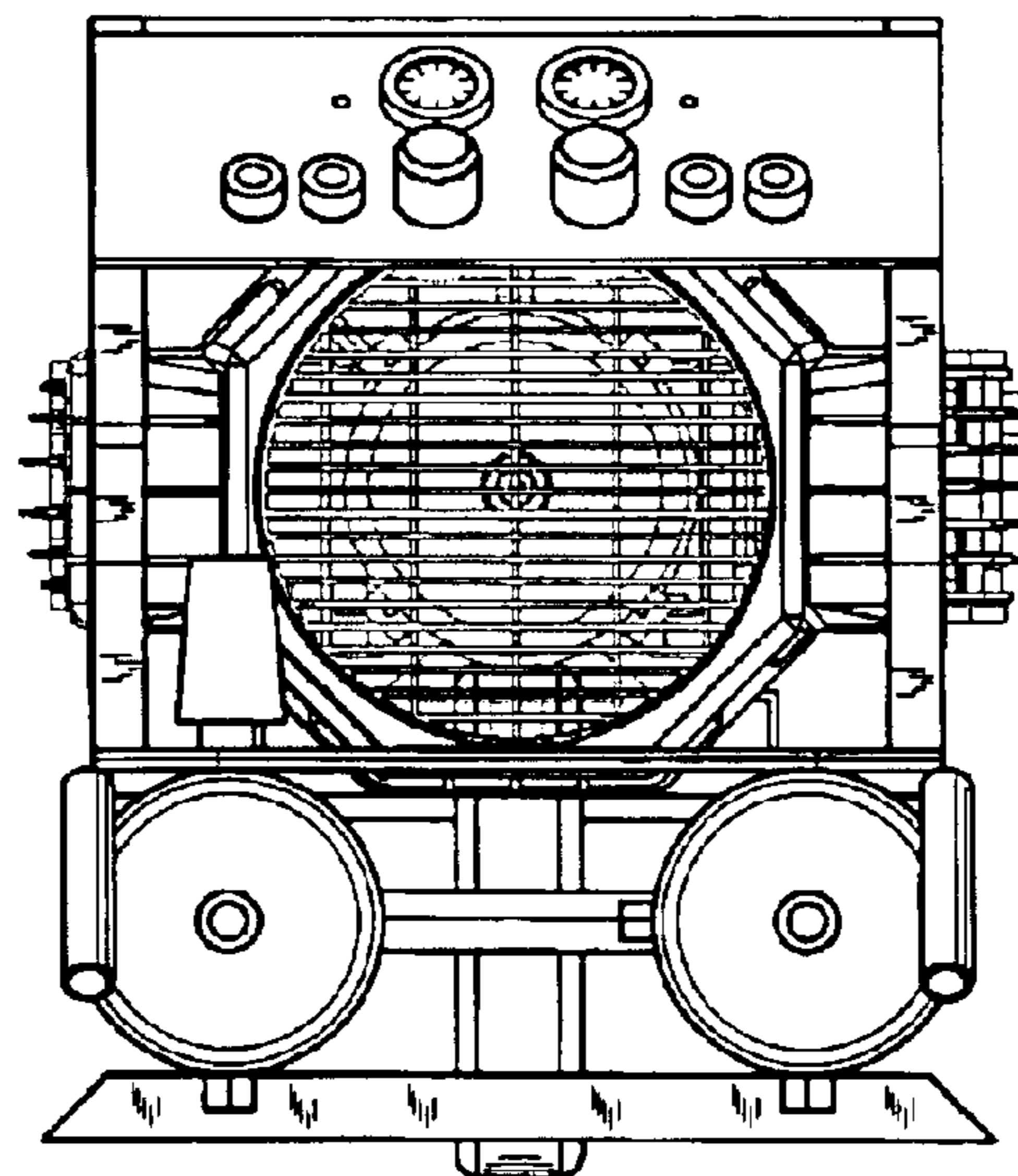


FIG. 4

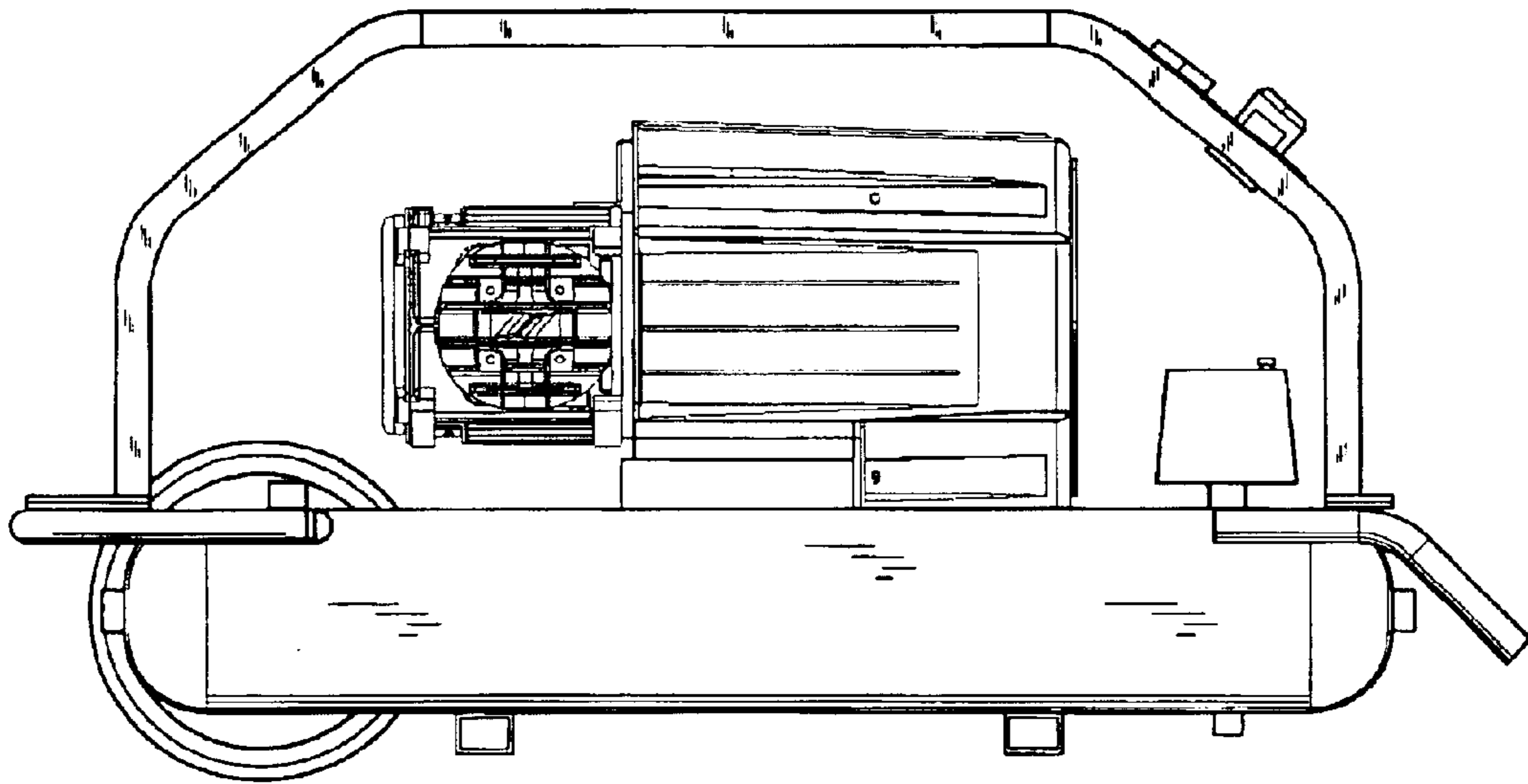


FIG. 5

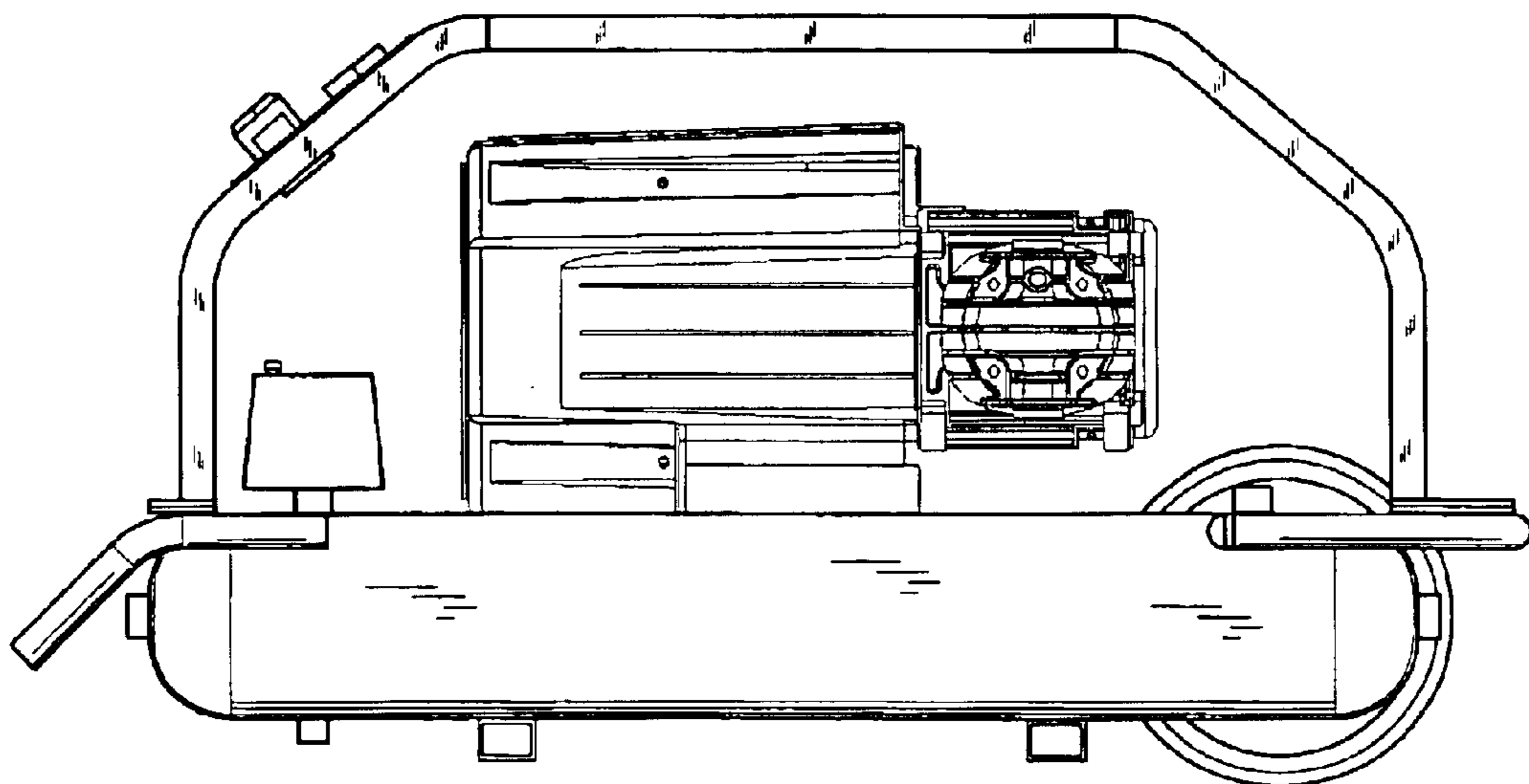


FIG. 6

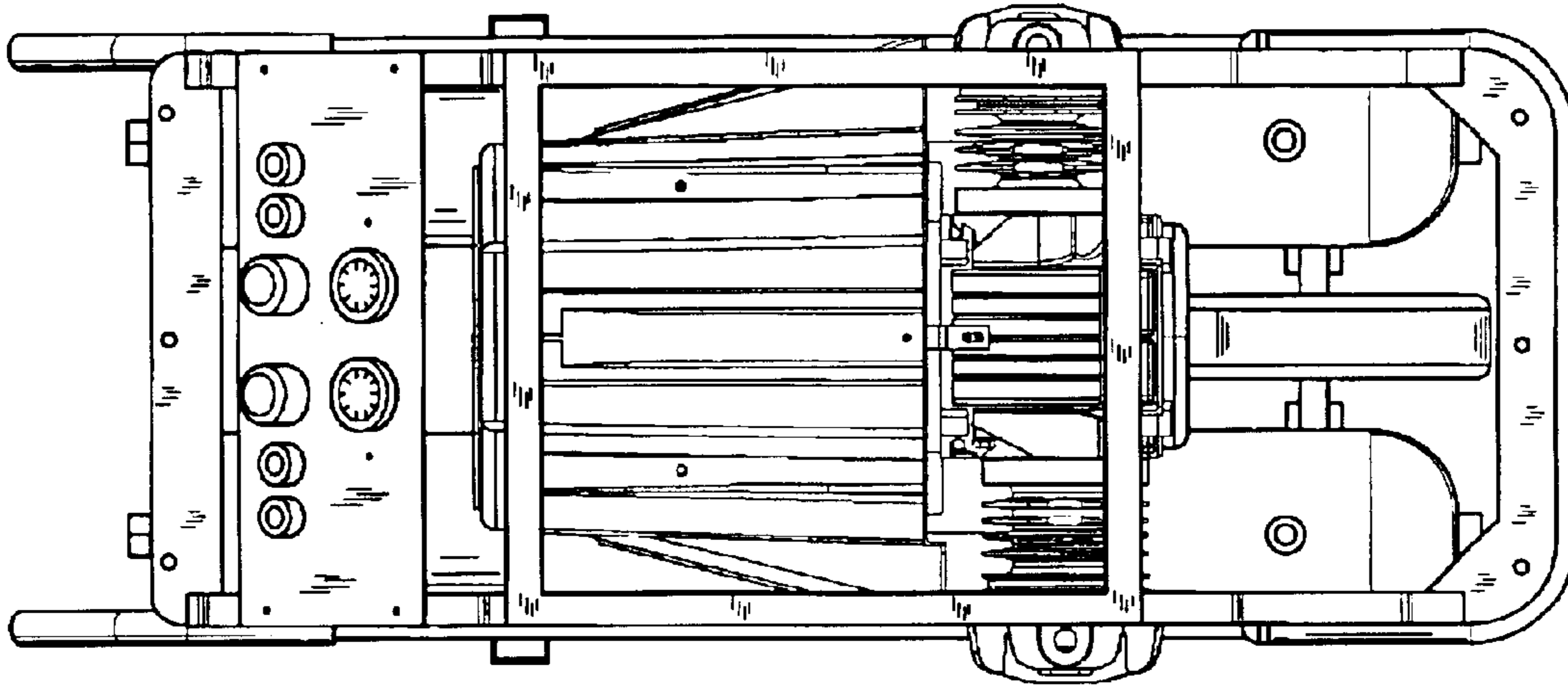


FIG. 7

