



US00D500327S

(12) **United States Design Patent** (10) **Patent No.:** **US D500,327 S**  
**Boyd, Jr. et al.** (45) **Date of Patent:** **\*\* Dec. 28, 2004**

(54) **REFRIGERATION COMPRESSOR**

(75) Inventors: **John H. Boyd, Jr.**, Holland, MI (US);  
**Upesh Patel**, Auckland (NZ); **Timothy Gordon Read**, Auckland (NZ)

(73) Assignee: **Fisher & Paykel Appliances Limited**,  
Auckland (NZ)

(\*\*) Term: **14 Years**

(21) Appl. No.: **29/194,755**

(22) Filed: **Dec. 1, 2003**

(30) **Foreign Application Priority Data**

May 30, 2003 (NZ) ..... 403598

(51) **LOC (7) Cl.** ..... **15-02**

(52) **U.S. Cl.** ..... **D15/9**

(58) **Field of Search** ..... D15/7-9; 417/321,  
417/410, 413.1, 415, 423.3, 486, 521, 534;  
415/148

(56) **References Cited**

**U.S. PATENT DOCUMENTS**

- 1,741,070 A \* 12/1929 Oliveras ..... 417/477.8
- D85,098 S \* 9/1931 Hobon ..... D15/7
- D91,804 S \* 3/1934 Cornelius et al. .... D15/9
- D197,860 S \* 3/1964 Winger ..... D15/9
- D366,488 S \* 1/1996 Alfano et al. .... D15/9

\* cited by examiner

*Primary Examiner*—Ralf Seifert

(74) *Attorney, Agent, or Firm*—Trexler, Bushnell,  
Giangiorgi, Blackstone & Marr, Ltd.

(57) **CLAIM**

We claim the ornamental design for a refrigeration compressor, as shown and described.

**DESCRIPTION**

FIG. 1 is a perspective view of a first embodiment.

FIG. 2 is a front view of the first embodiment.

FIG. 3 is a bottom view of the first embodiment.

FIG. 4 is a left end view of the first embodiment.

FIG. 5 is a top view of the first embodiment.

FIG. 6 is a right end view of the first embodiment.

FIG. 7 is a rear view of the first embodiment.

FIG. 8 is a perspective view of a second embodiment of the invention, with incidental features illustrated in broken lines.

FIG. 9 is a front view of the second embodiment of the invention, with incidental features illustrated in broken lines.

FIG. 10 is a bottom view of the second embodiment of the invention, with incidental features illustrated in broken lines.

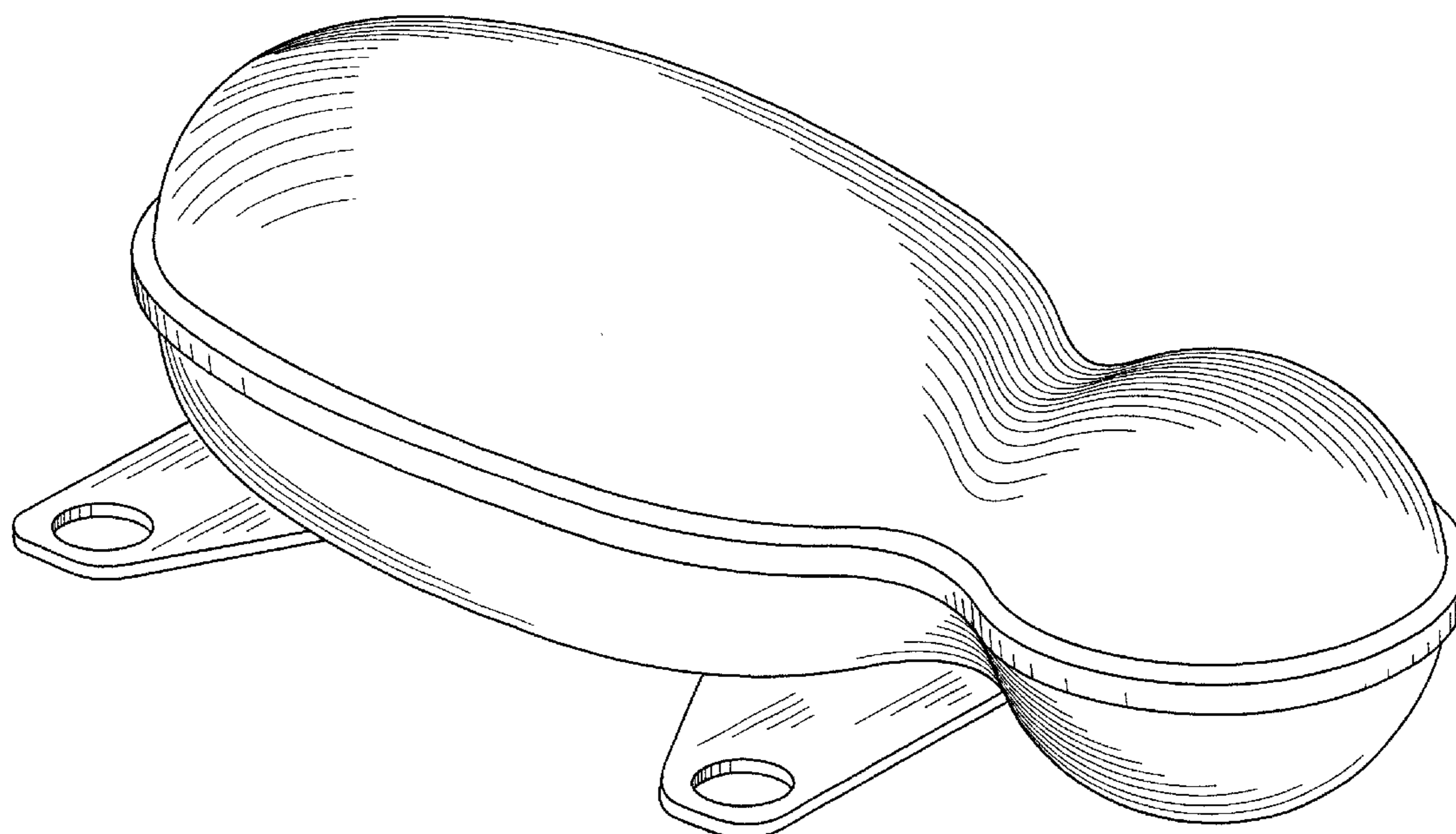
FIG. 11 is a left view of the second embodiment of the invention, with incidental features illustrated in broken lines.

FIG. 12 is a top view of the second embodiment of the invention, with incidental features illustrated in broken lines.

FIG. 13 is a right view of the second embodiment of the invention, with incidental features illustrated in broken lines; and,

FIG. 14 is a rear view of the second embodiment of the invention, with incidental features illustrated in broken lines. It being understood that the broken lines are for illustrative purposes only and form no part of the claimed design.

**1 Claim, 12 Drawing Sheets**



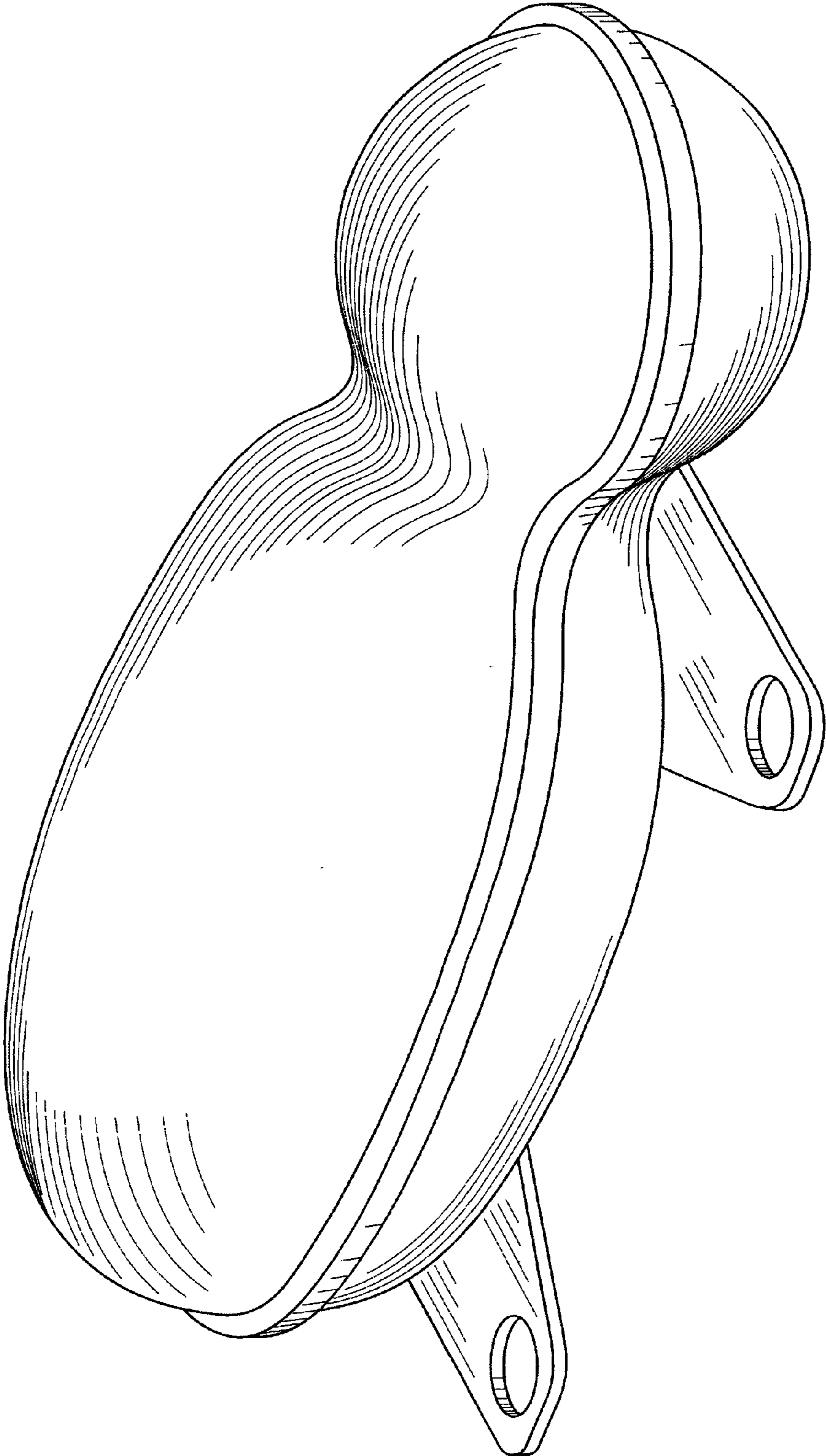


FIGURE 1

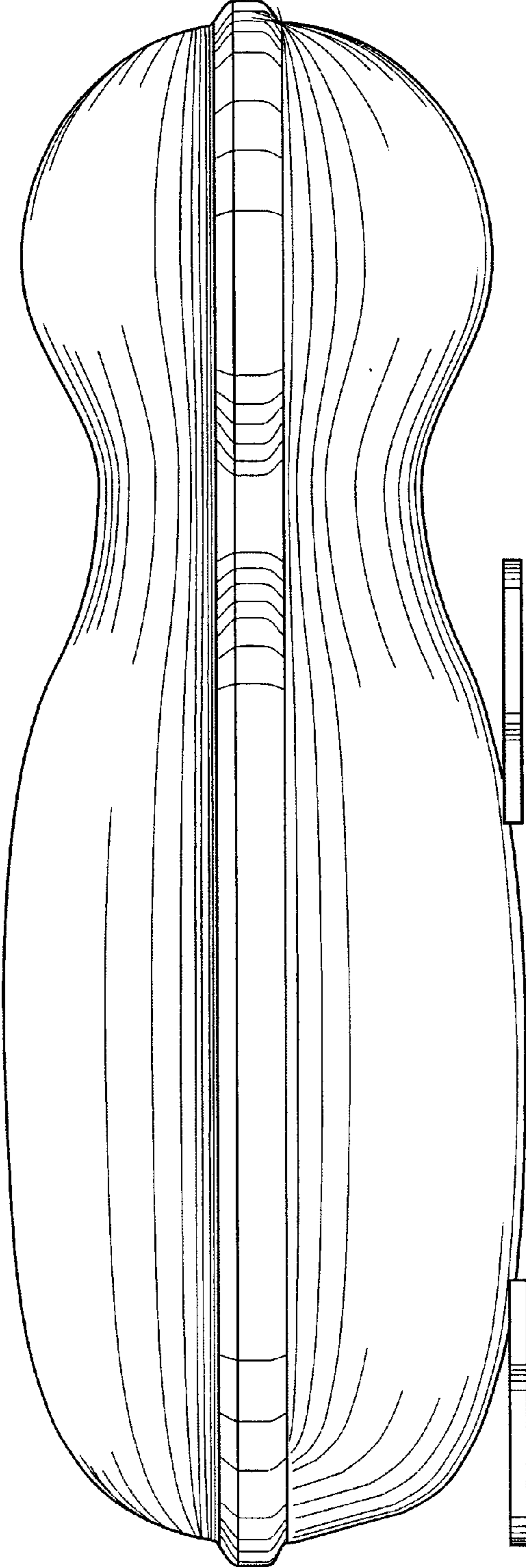
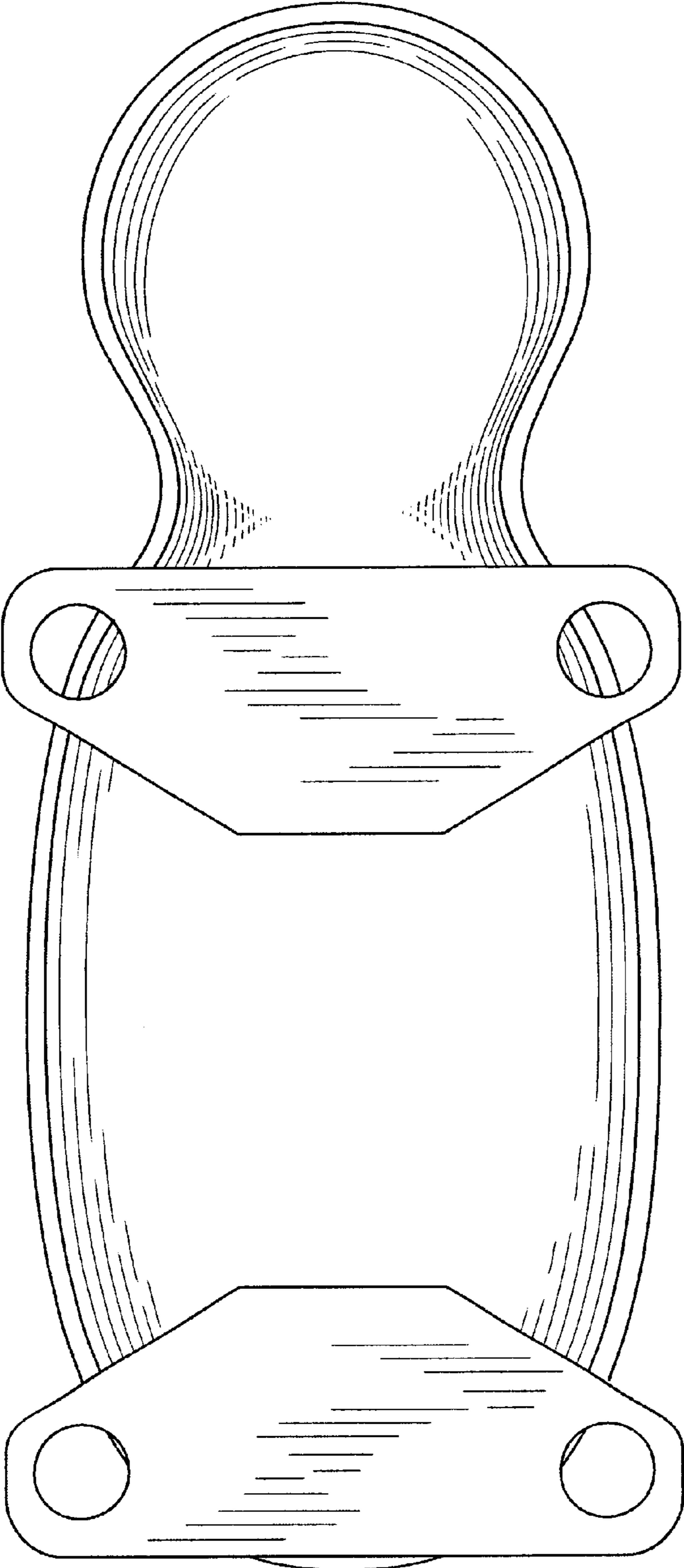
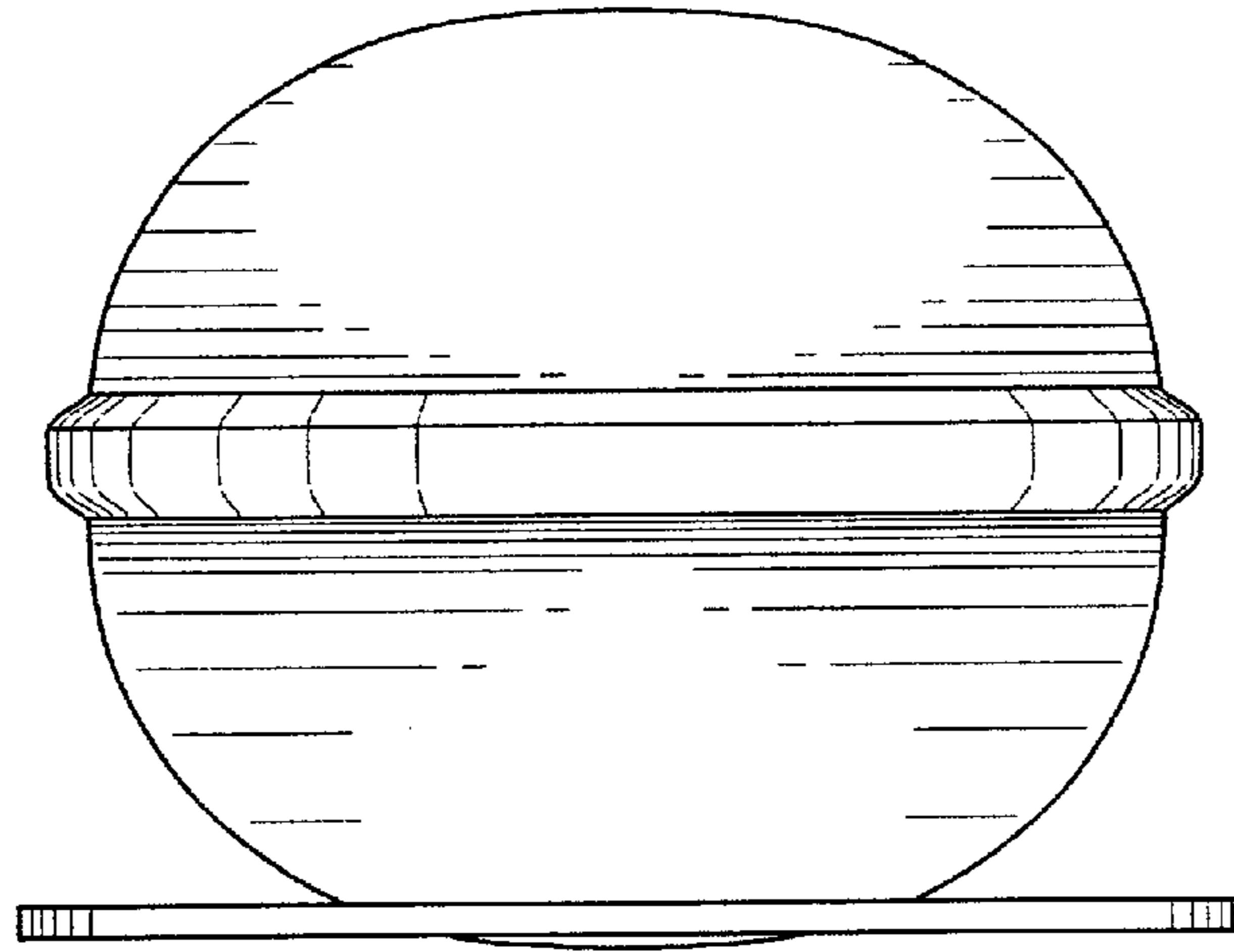


FIGURE 2

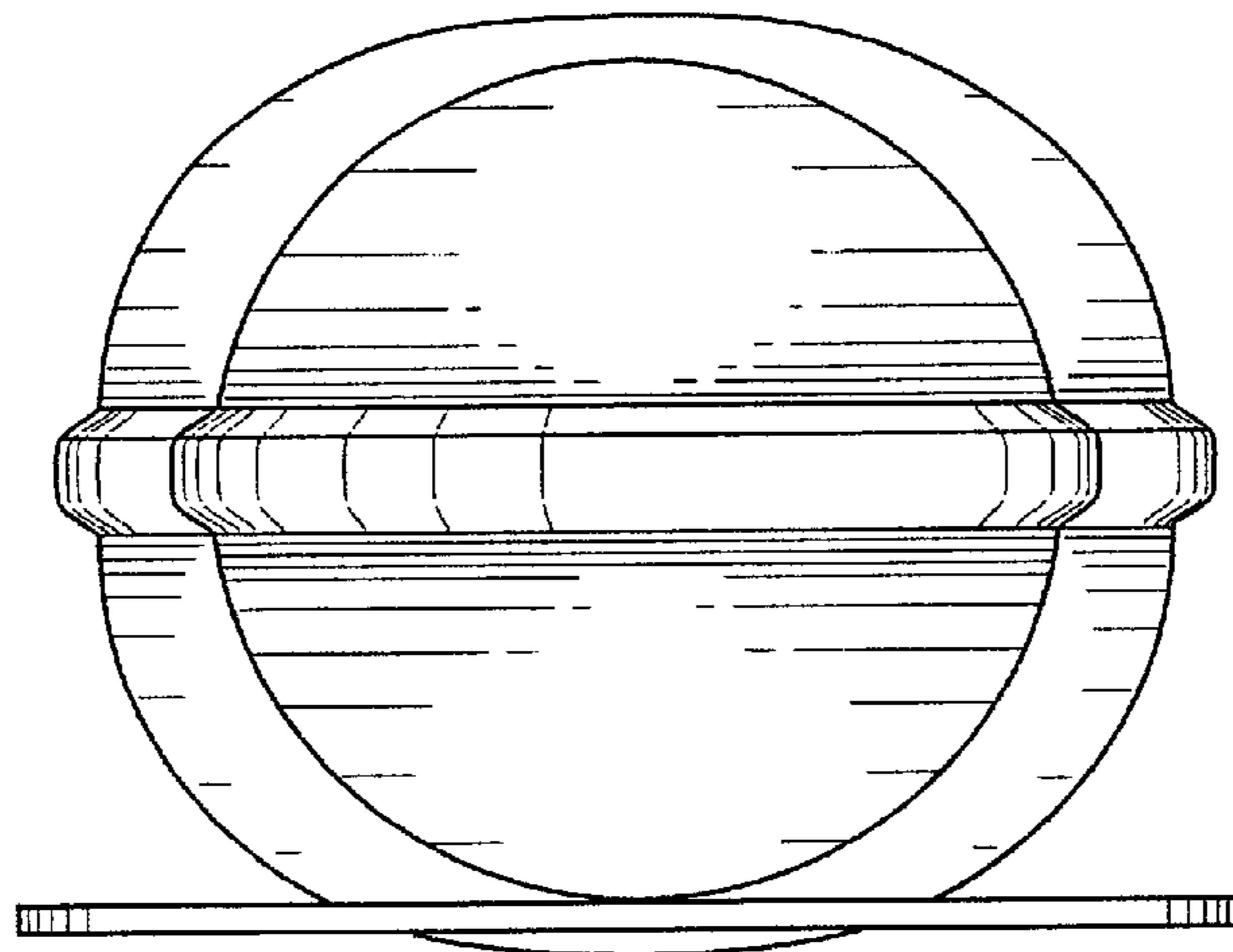


**FIGURE 3**

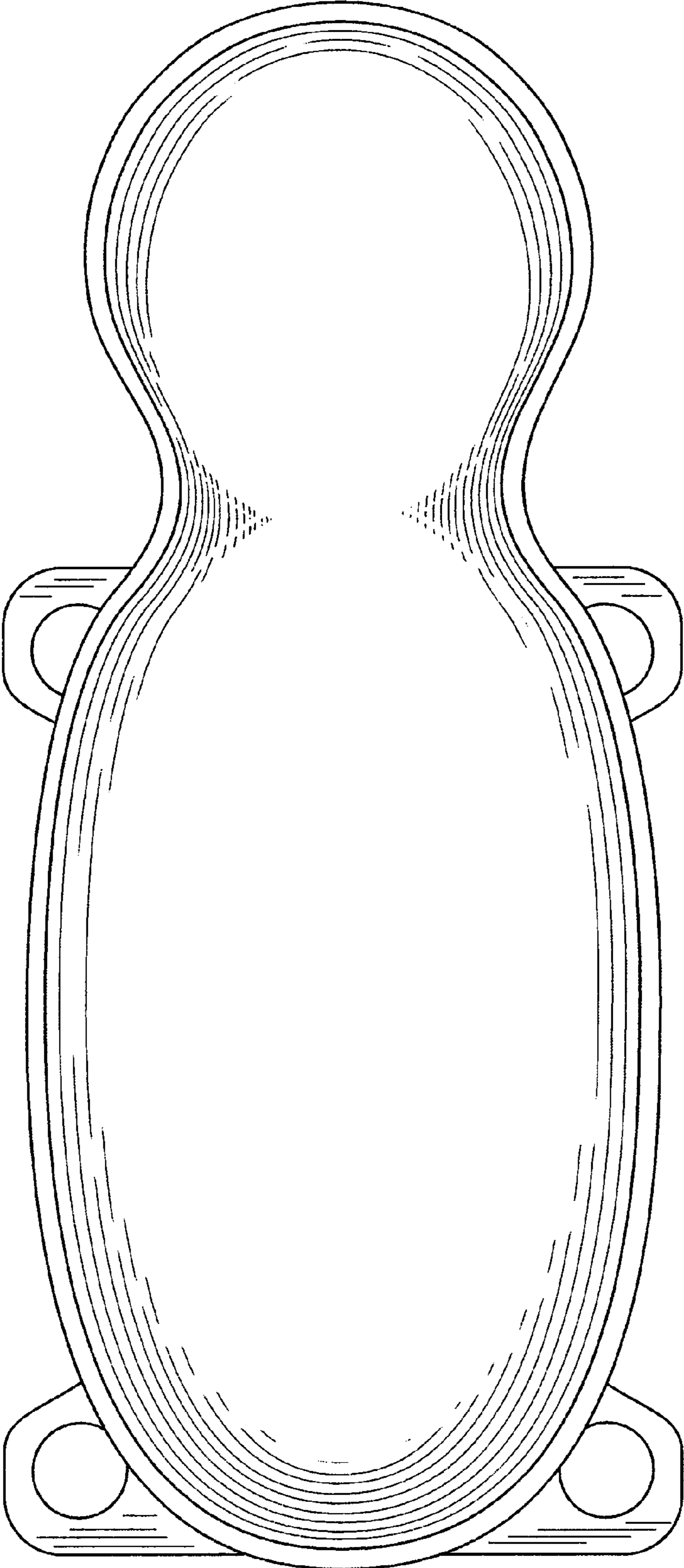




**FIGURE 6**



**FIGURE 4**



**FIGURE 5**

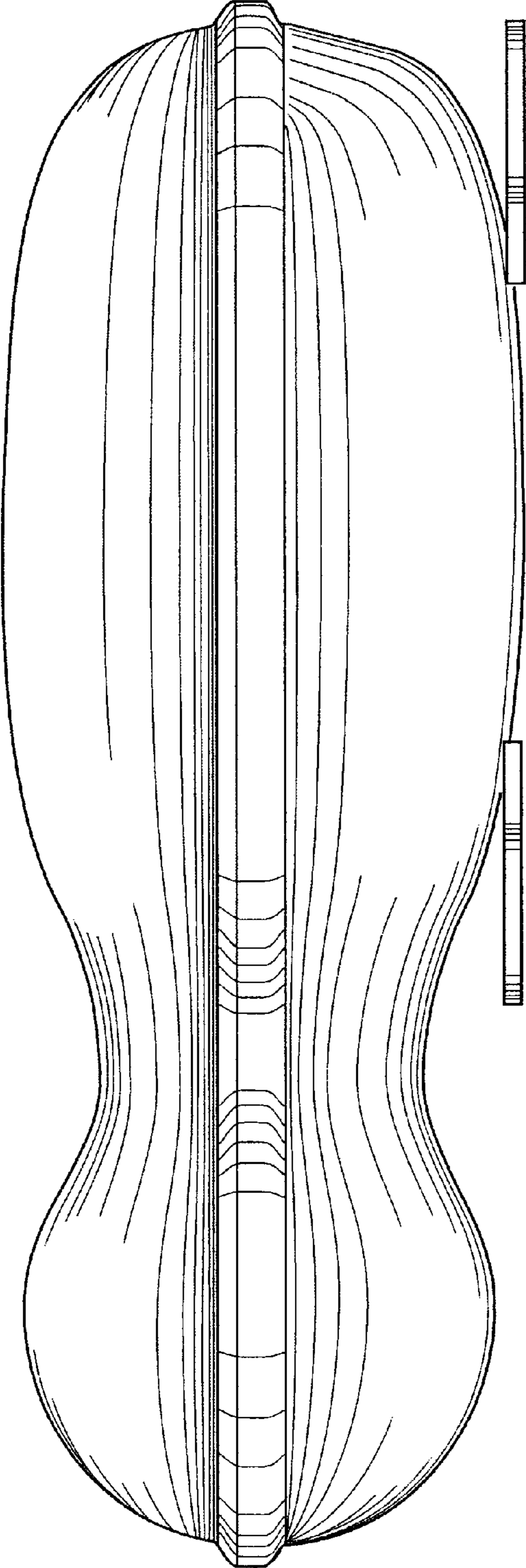


FIGURE 7

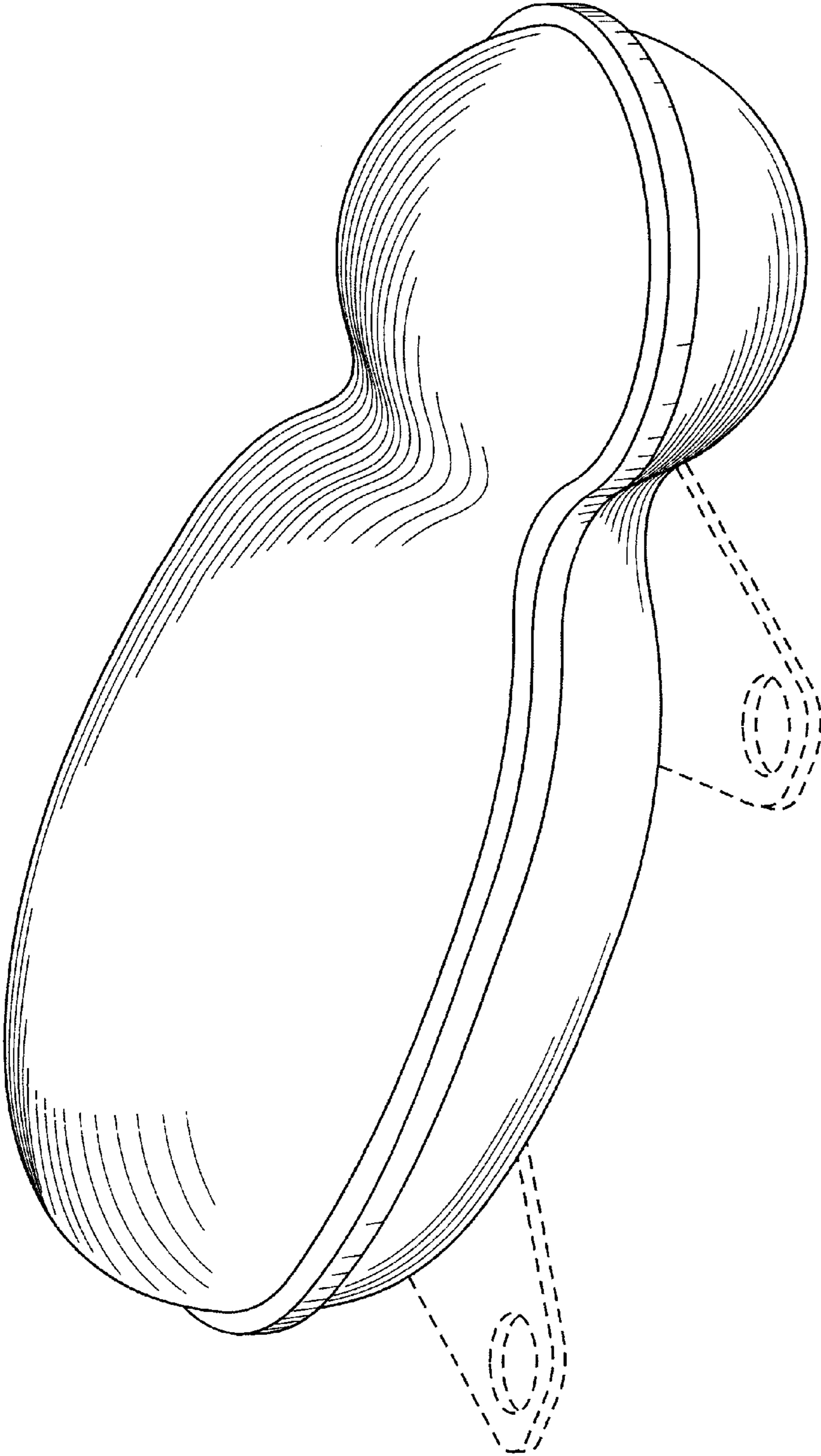


FIGURE 8



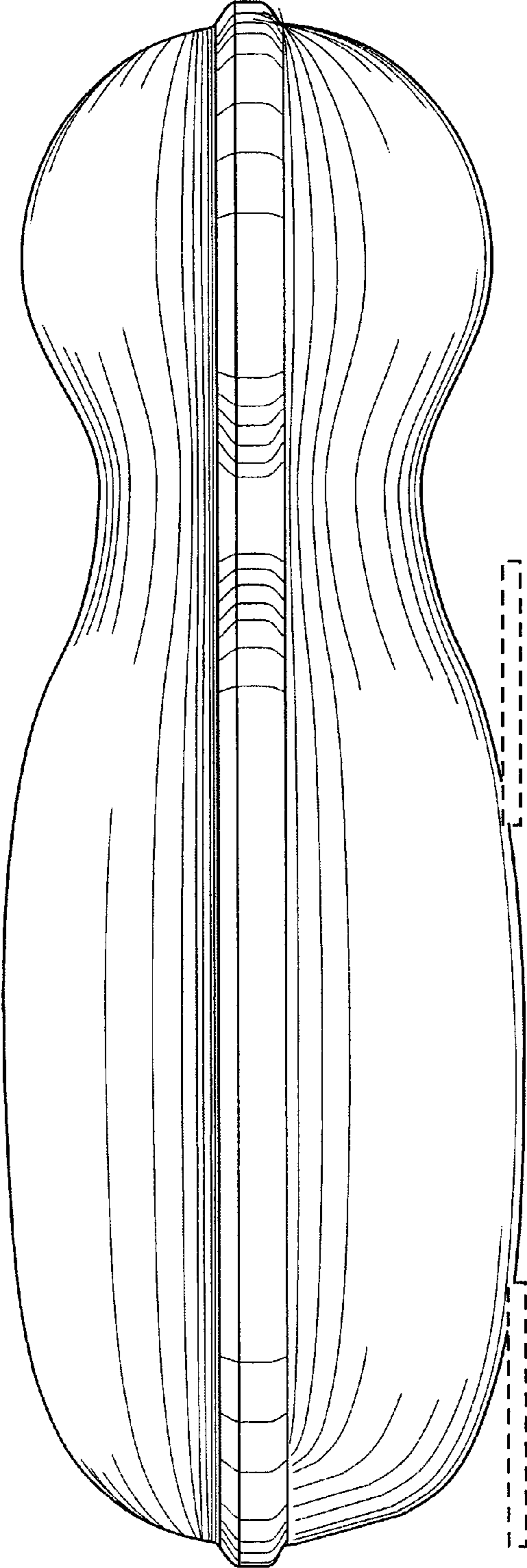


FIGURE 9

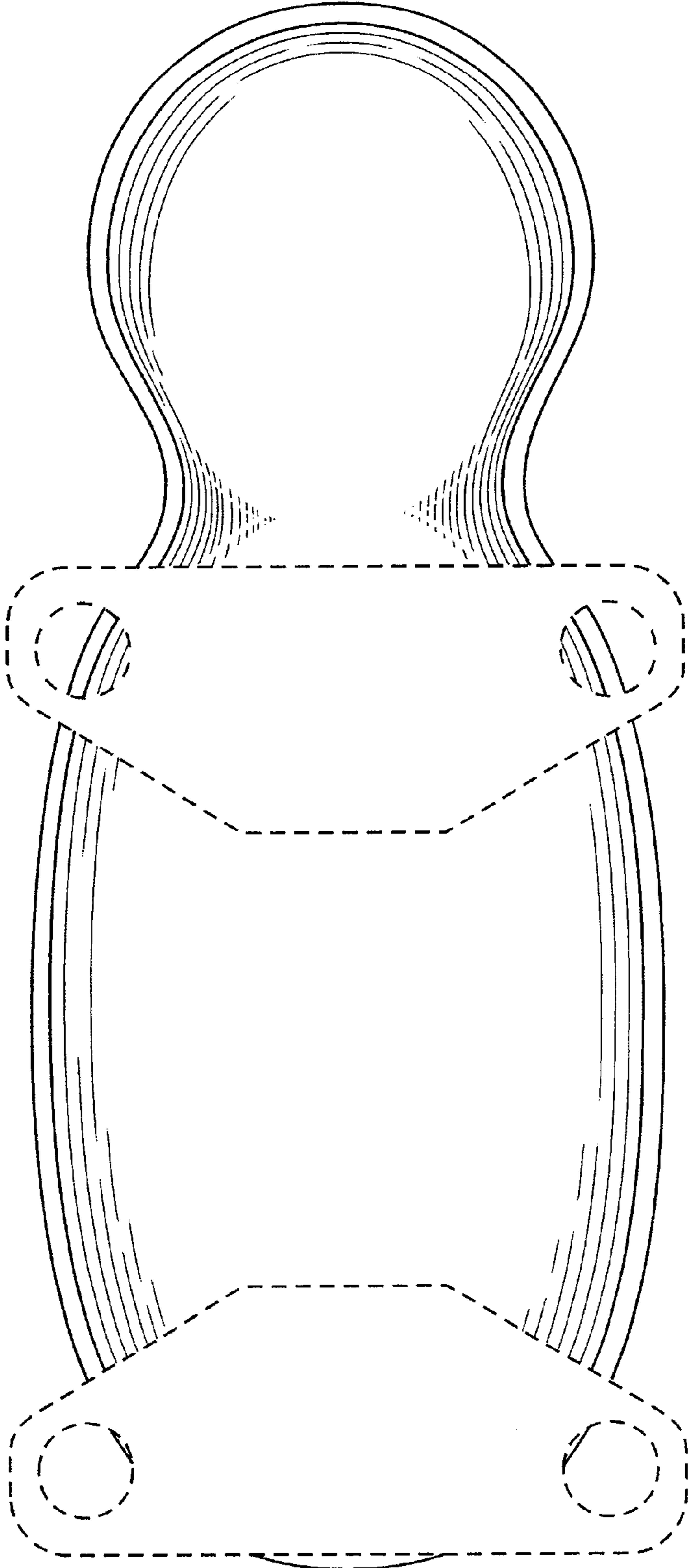
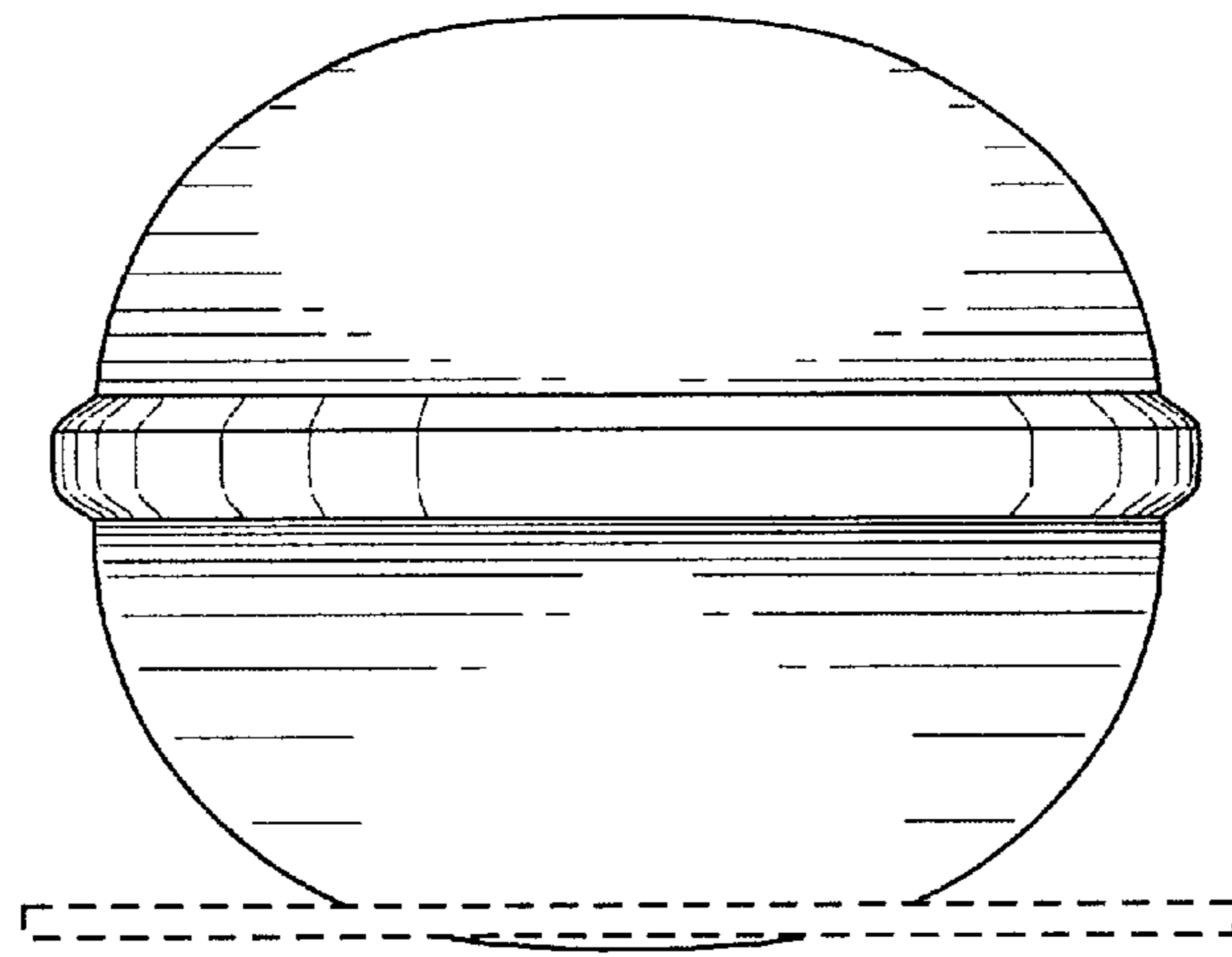
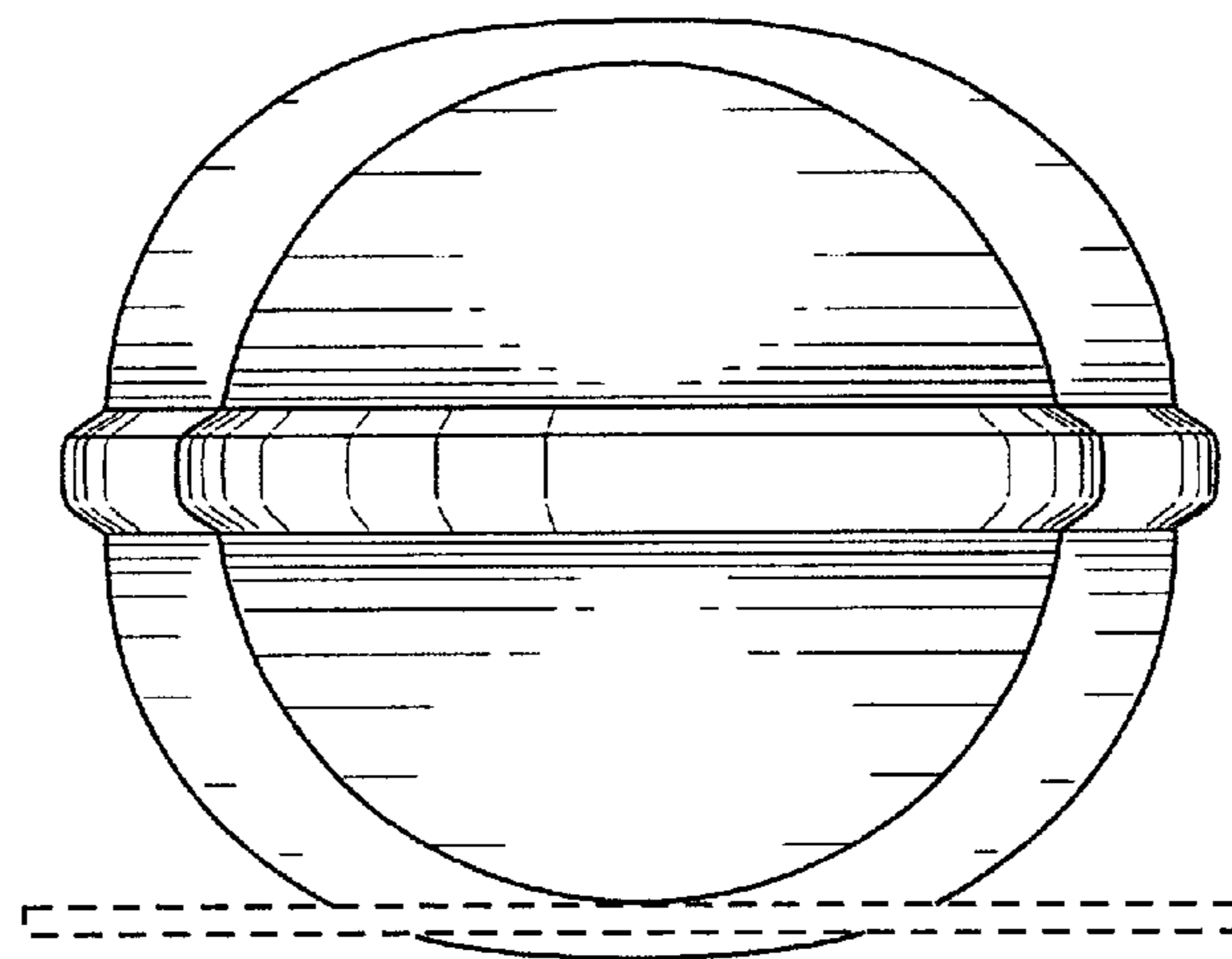


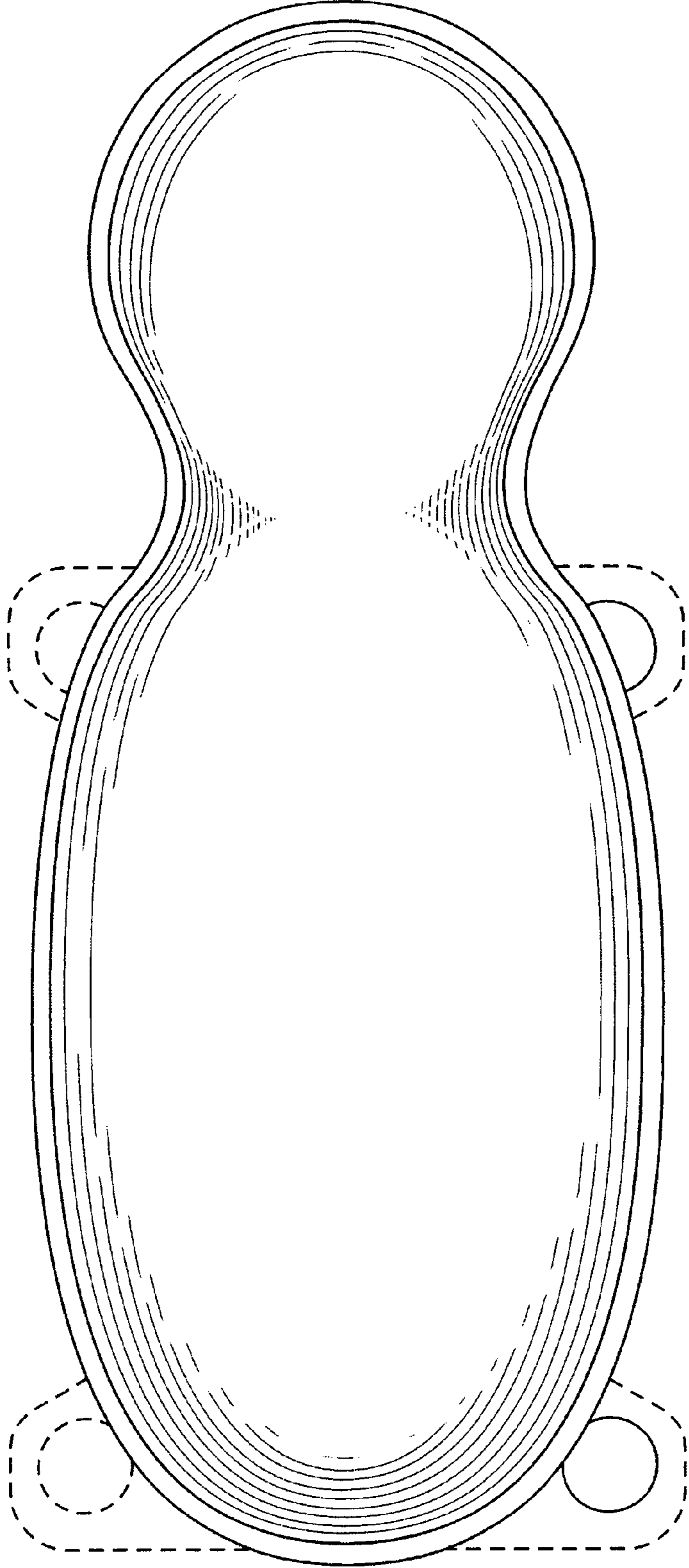
FIGURE 10



**FIGURE 13**



**FIGURE 11**



**FIGURE 12**

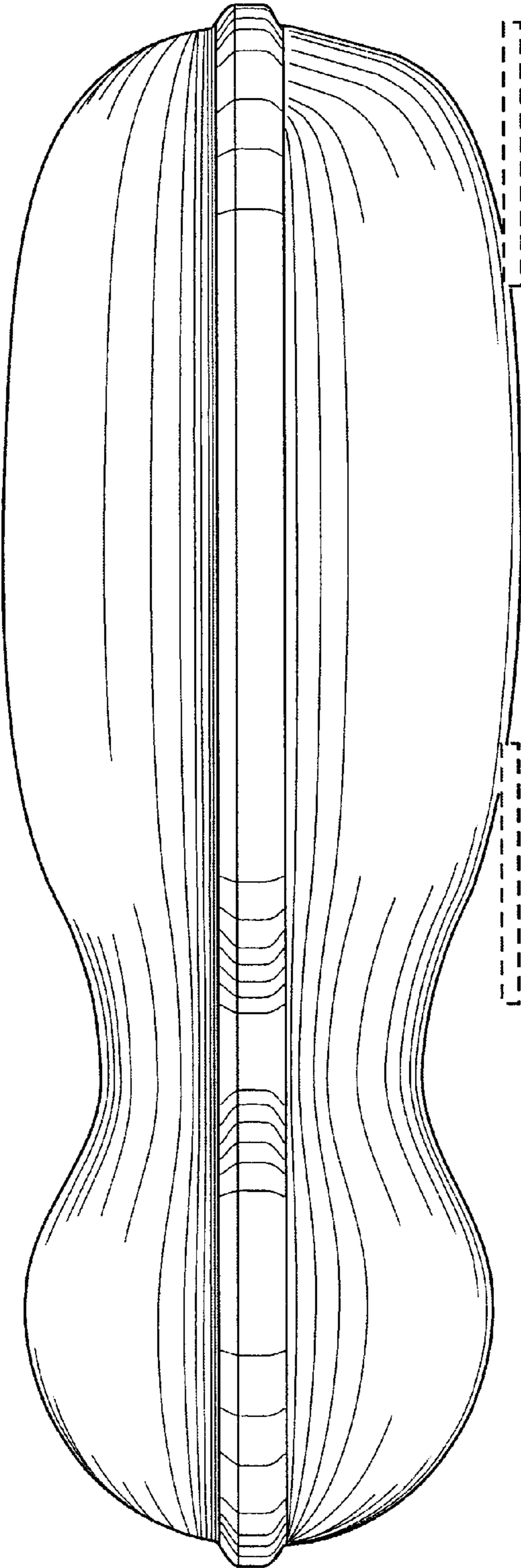


FIGURE 14