

US00D500326S

(12) **United States Design Patent** (10) **Patent No.:** **US D500,326 S**
Fathallah et al. (45) **Date of Patent:** **** Dec. 28, 2004**

(54) **PUMP**

(75) Inventors: **Marwan A. Fathallah**, Mundelein, IL (US); **John S. Ziegler**, Arlington Heights, IL (US); **William C. Lindeman**, Marshall, WI (US); **Ami Marie Verhalen**, Sun Prairie, WI (US); **Kent B. Chase**, Madison, WI (US); **Todd J. Bakken**, Madison, WI (US); **Daniel J. Lee**, Madison, WI (US)

D394,440 S * 5/1998 Chen D15/9
 5,755,563 A 5/1998 Clegg et al.
 5,895,371 A 4/1999 Levitas et al.
 5,935,099 A 8/1999 Peterson et al.
 D454,884 S * 3/2002 Christiansen et al. D15/7
 D475,721 S * 6/2003 Harper et al. D15/9
 D479,248 S * 9/2003 Gist et al. D15/9

FOREIGN PATENT DOCUMENTS

WO 01/39816 7/2001
 WO 02/36044 10/2002

* cited by examiner

Primary Examiner—Ralf Seifert
 (74) *Attorney, Agent, or Firm*—Michael R. Crabb

(73) Assignee: **Hospira, Inc.**, Lake Forest, IL (US)

(**) Term: **14 Years**

(21) Appl. No.: **29/190,578**

(22) Filed: **Sep. 23, 2003**

Related U.S. Application Data

(62) Division of application No. 29/190,384, filed on Sep. 19, 2003.

(51) **LOC (7) Cl.** **15-02**

(52) **U.S. Cl.** **D15/9**

(58) **Field of Search** D15/7-9; D23/231, D23/232; 417/410.4, 359, 415, 410.3, 234, 229, 321, 265, 405

(56) **References Cited**

U.S. PATENT DOCUMENTS

4,728,265 A 3/1988 Cannon
 5,165,873 A 11/1992 Meljer
 5,217,355 A 6/1993 Hyman et al.
 5,256,157 A 10/1993 Samiotes et al.
 D348,101 S 6/1994 Poli et al.
 D367,528 S 2/1996 Martson et al.
 D376,199 S * 12/1996 Rozek et al. D24/110
 D390,574 S * 2/1998 Ashcraft D15/9
 5,745,378 A 4/1998 Barker et al.

(57) **CLAIM**

The ornamental design for a pump, as shown and described.

DESCRIPTION

FIG. 1 is a top, front perspective view of a pump, showing our new design;

FIG. 2 is a bottom, rear perspective view of the pump of FIG. 1;

FIG. 3 is a top plan view of the pump of FIG. 1;

FIG. 4 is a front elevational view of the pump of FIG. 1;

FIG. 5 is a left end elevational view of the pump of FIG. 1;

FIG. 6 is a rear elevational view of the pump of FIG. 1;

FIG. 7 is a right end elevational view of the pump of FIG. 1;

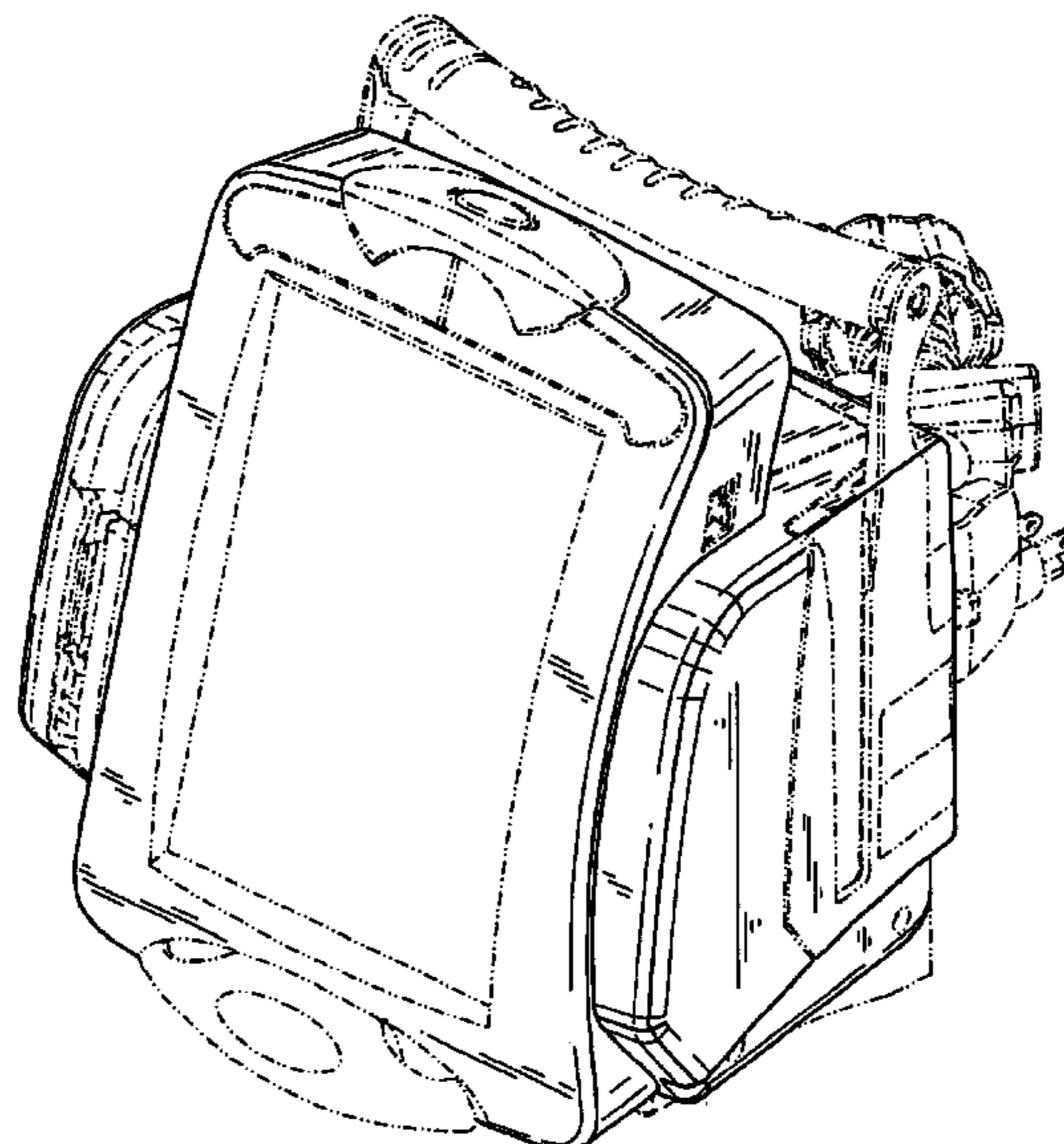
FIG. 8 is a bottom plan view of the pump of FIG. 1;

FIG. 9 is a top back perspective view of the pump of FIG. 1; and,

FIG. 10 is a bottom front perspective view of the pump of FIG. 1.

It being understood that the broken lines are for illustrative purposes only and form no part of the claimed design.

1 Claim, 8 Drawing Sheets



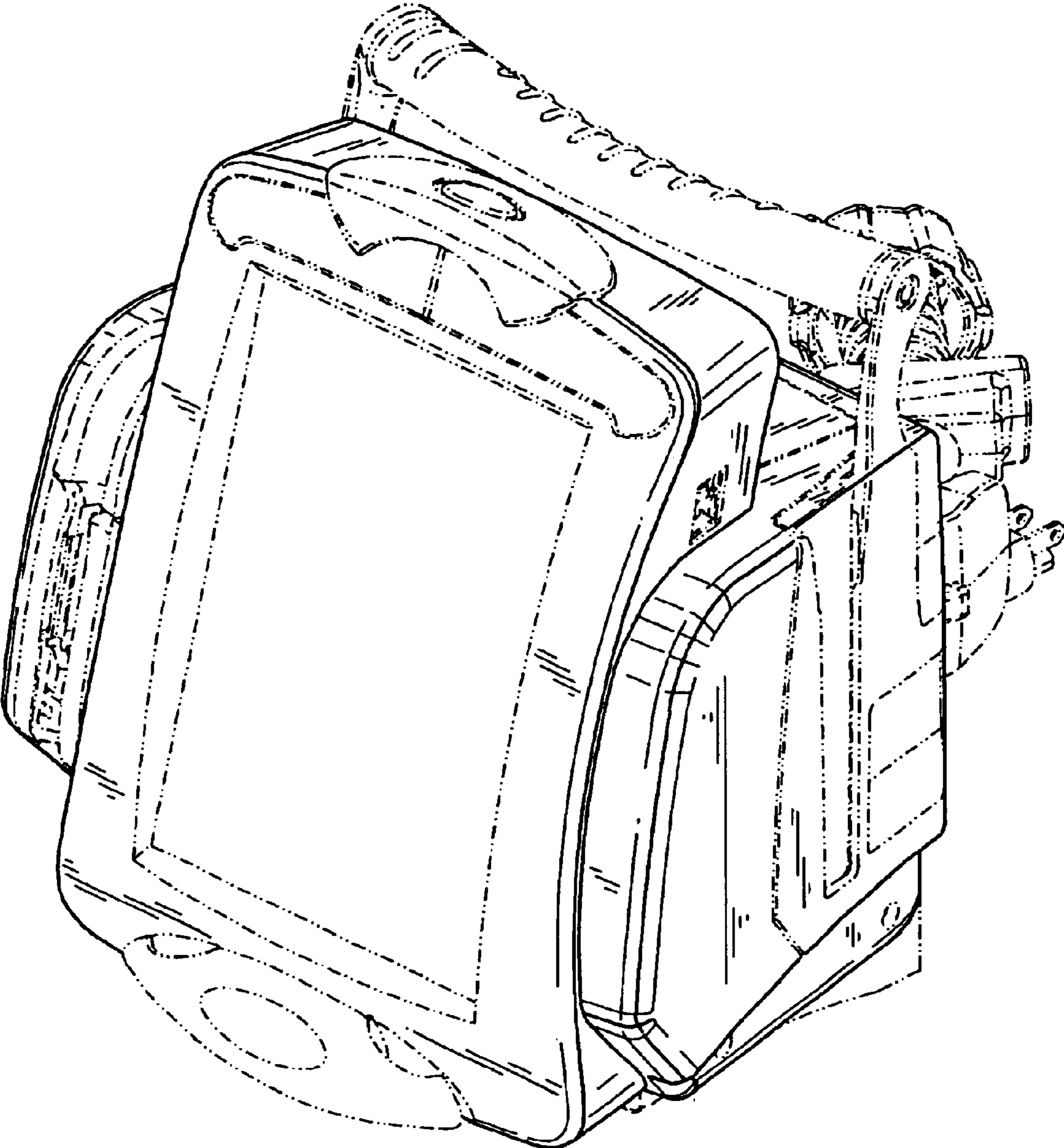


FIG. 1

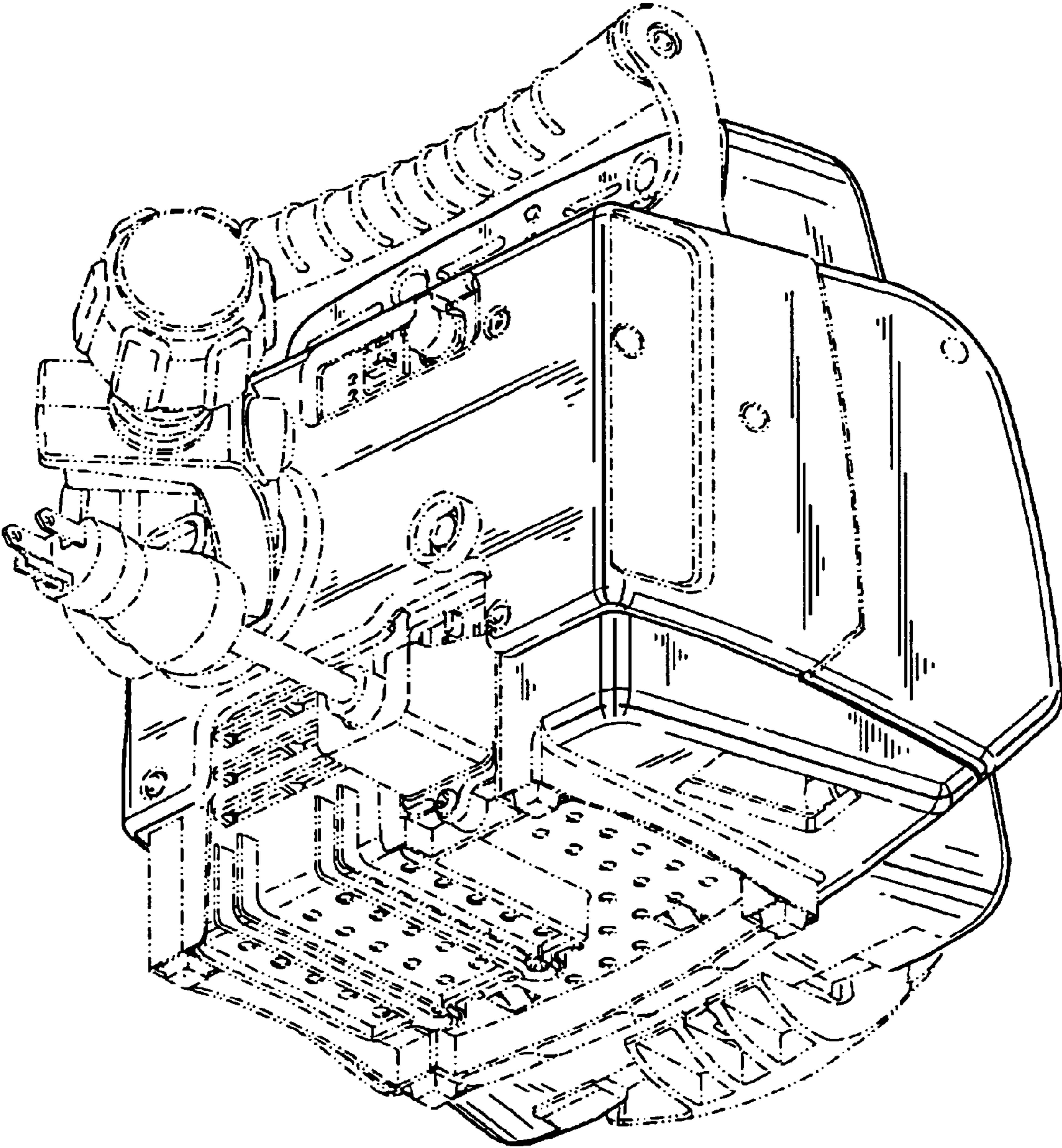


FIG. 2

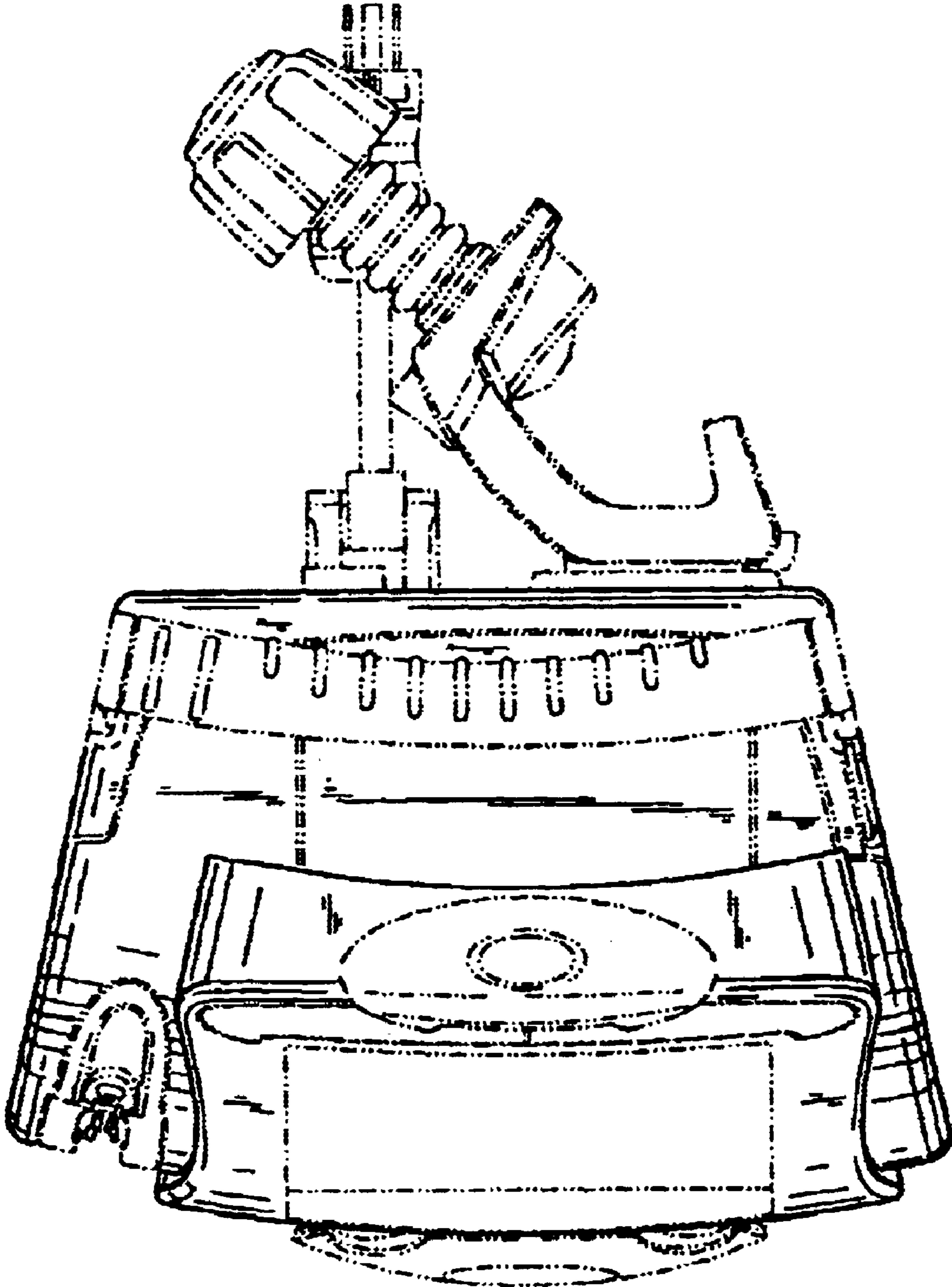


FIG. 3

FIG. 4

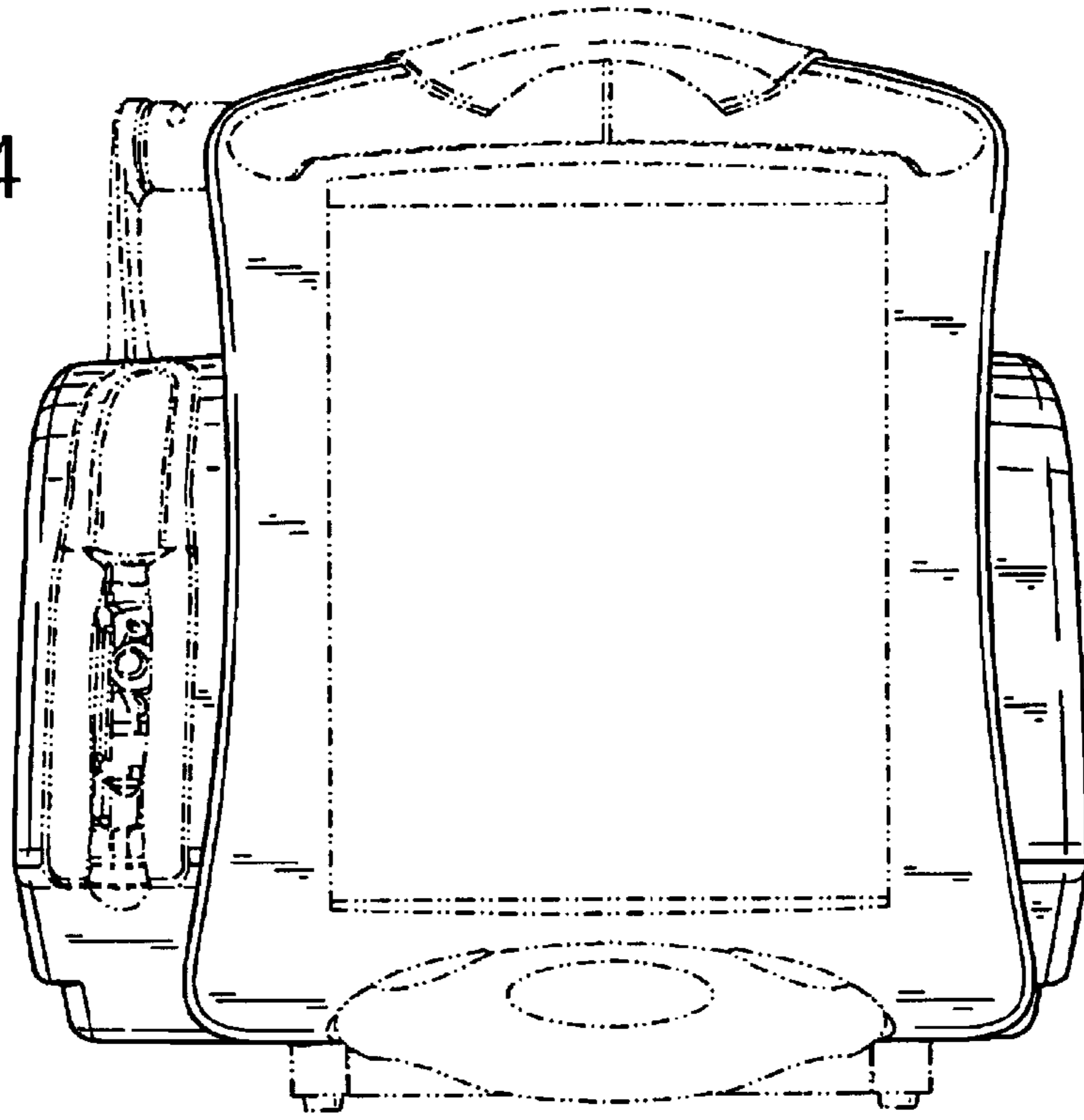


FIG. 5

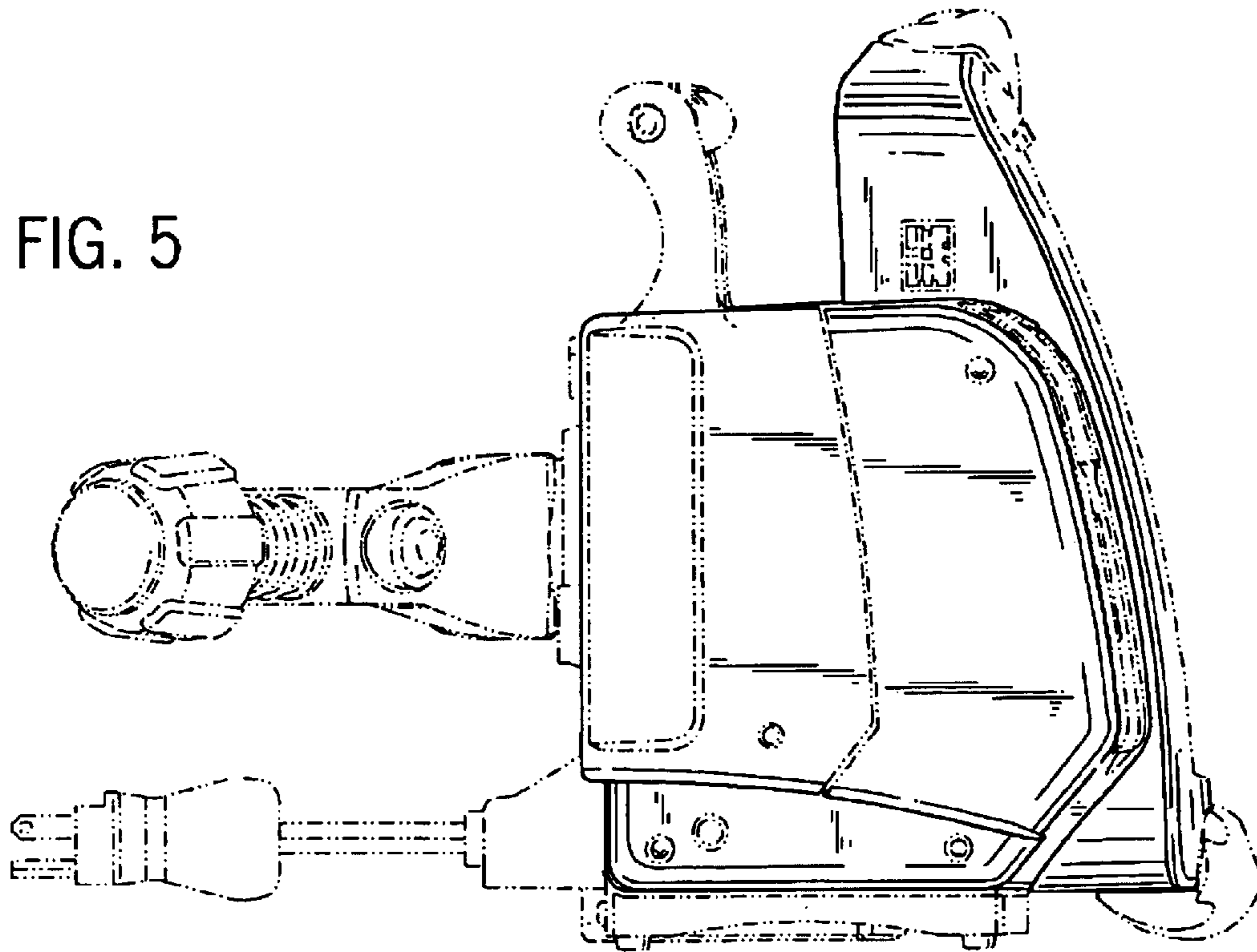


FIG. 6

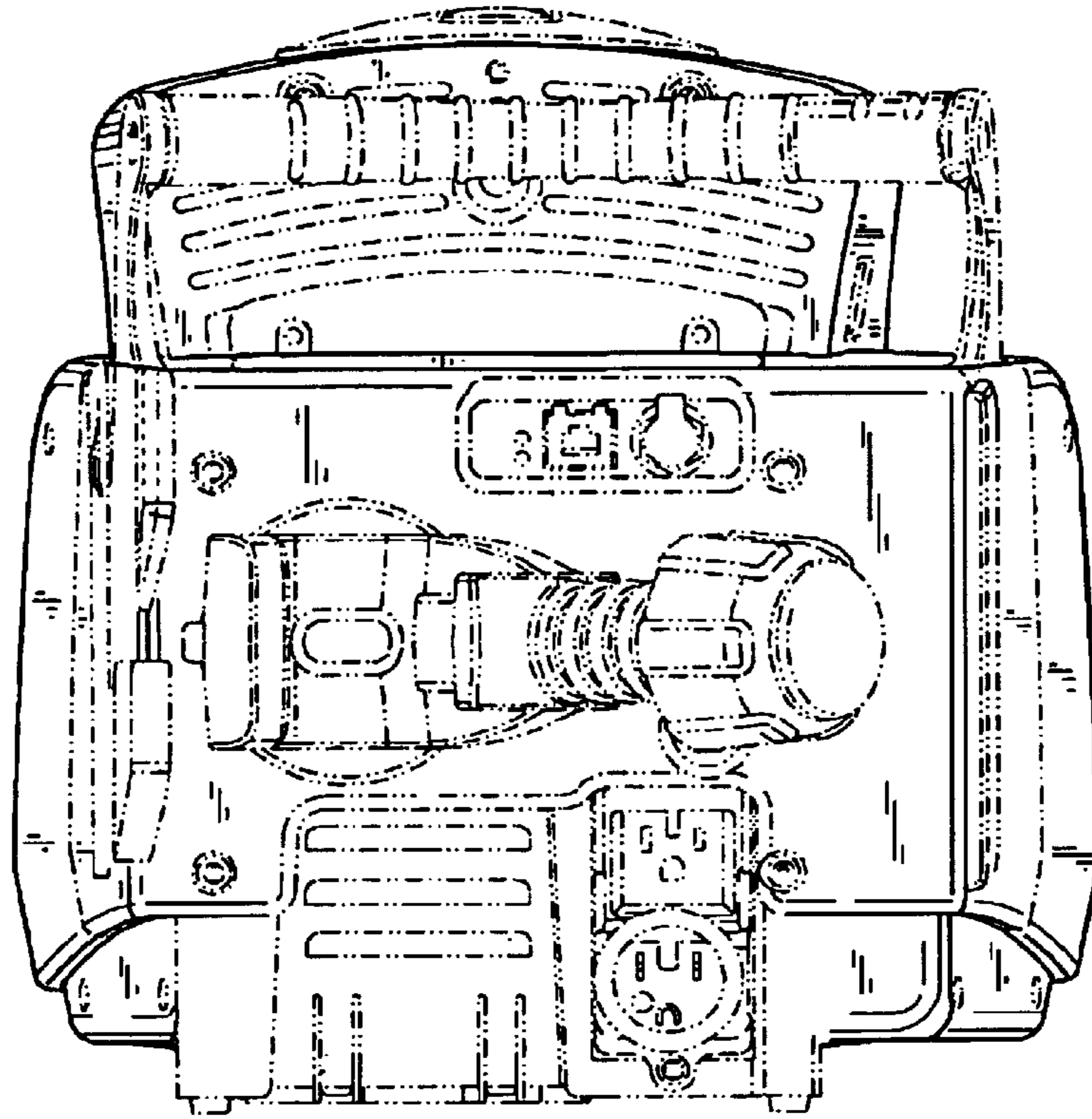
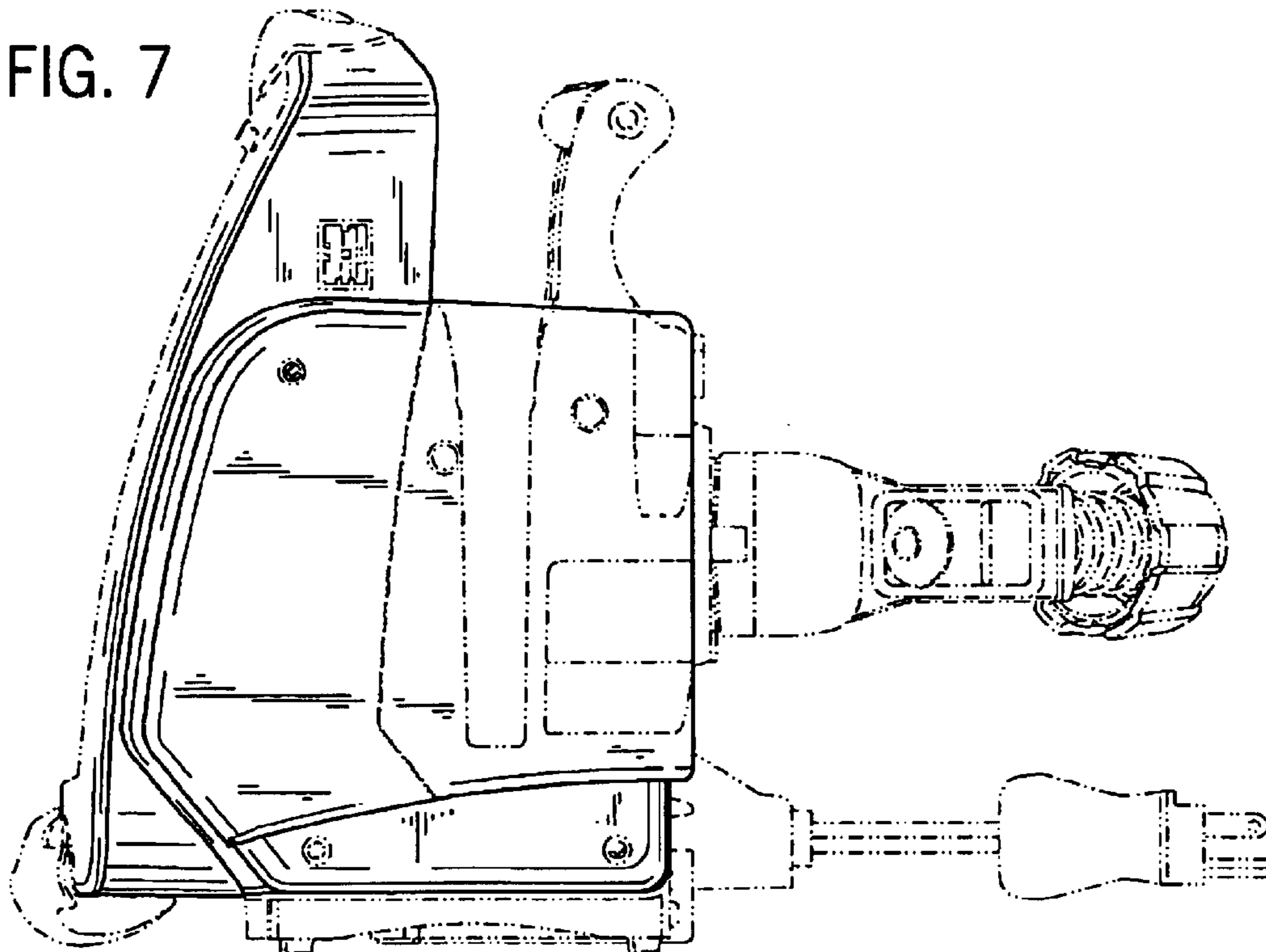


FIG. 7



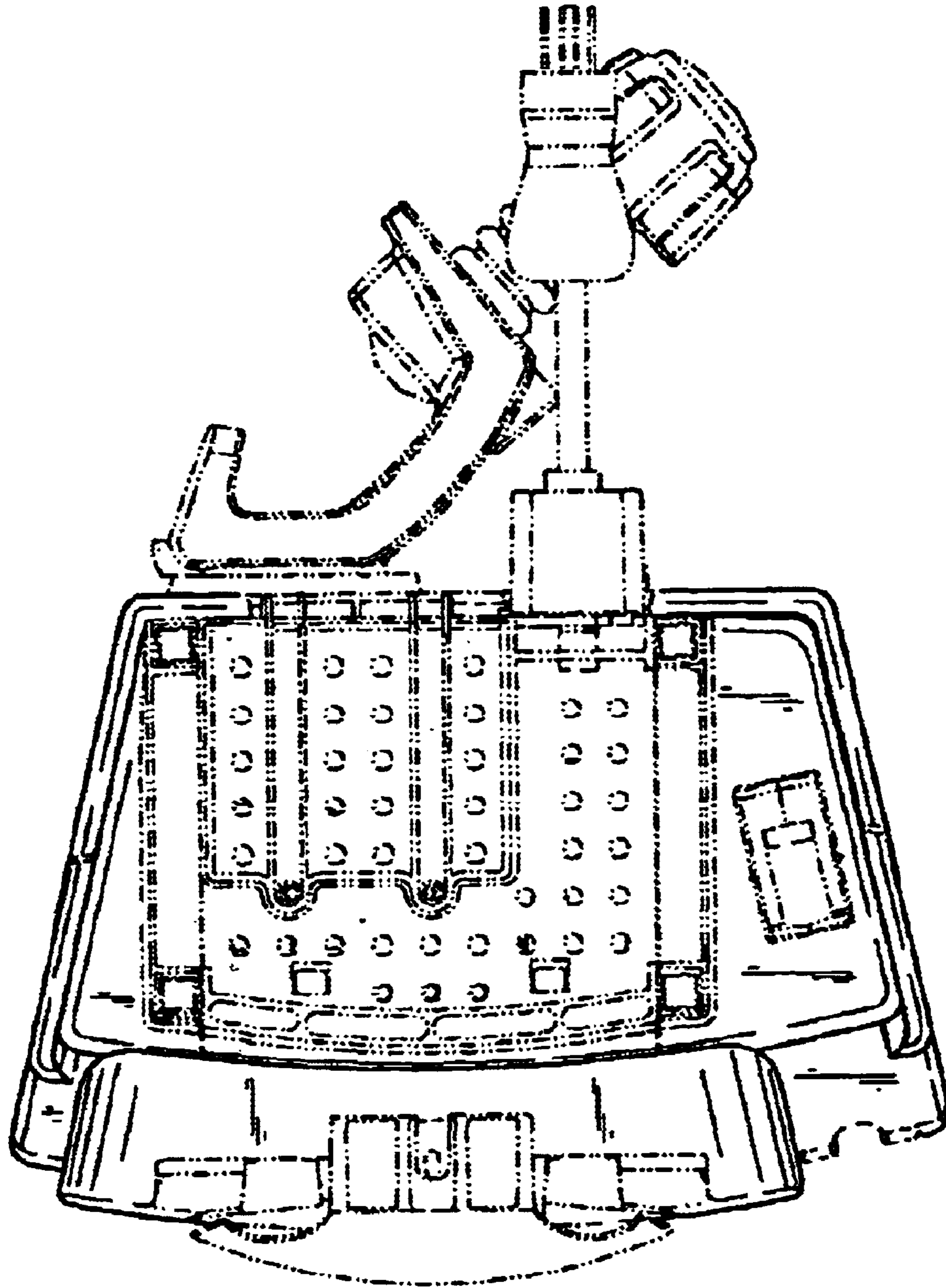


FIG. 8

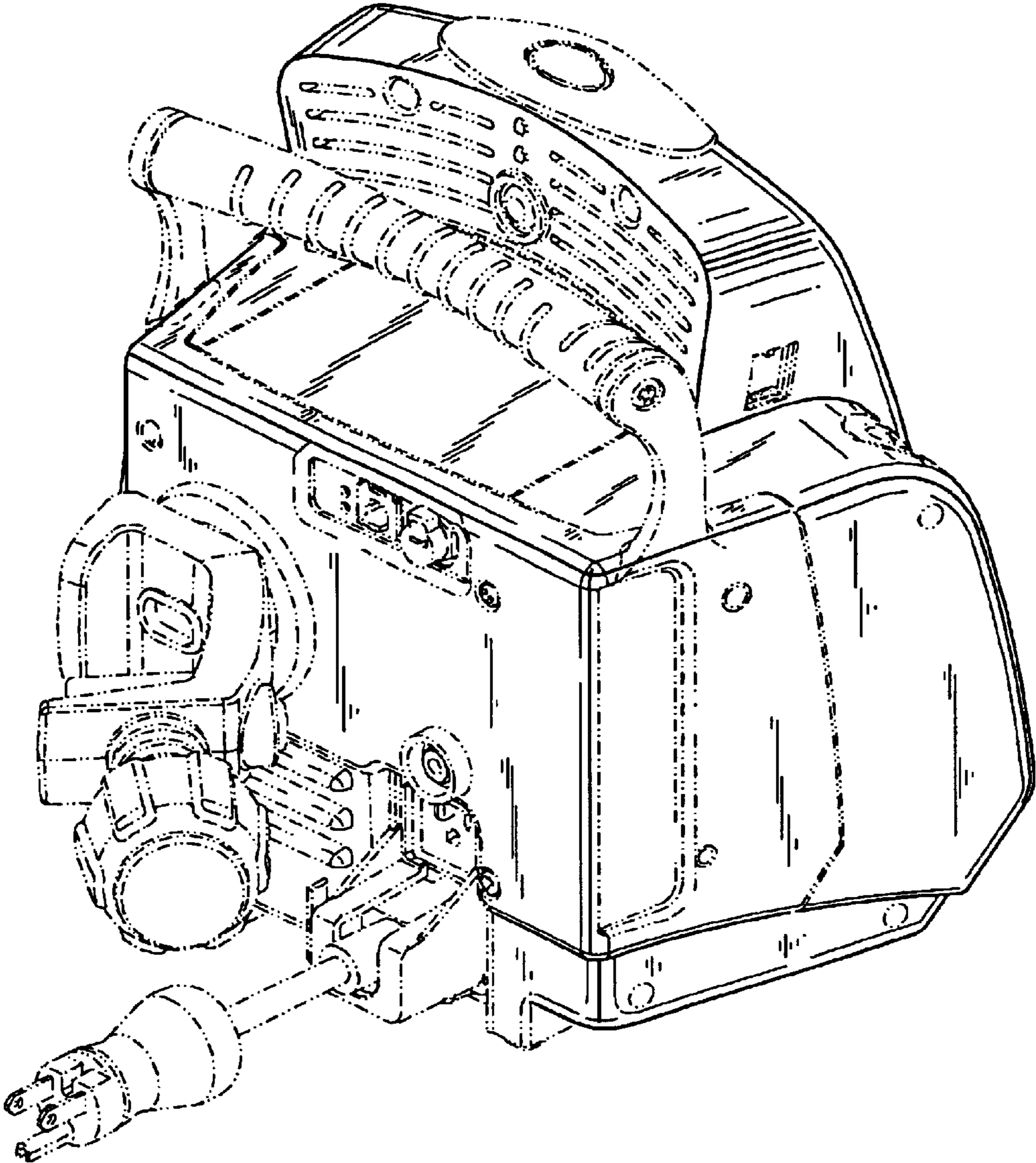


FIG. 9

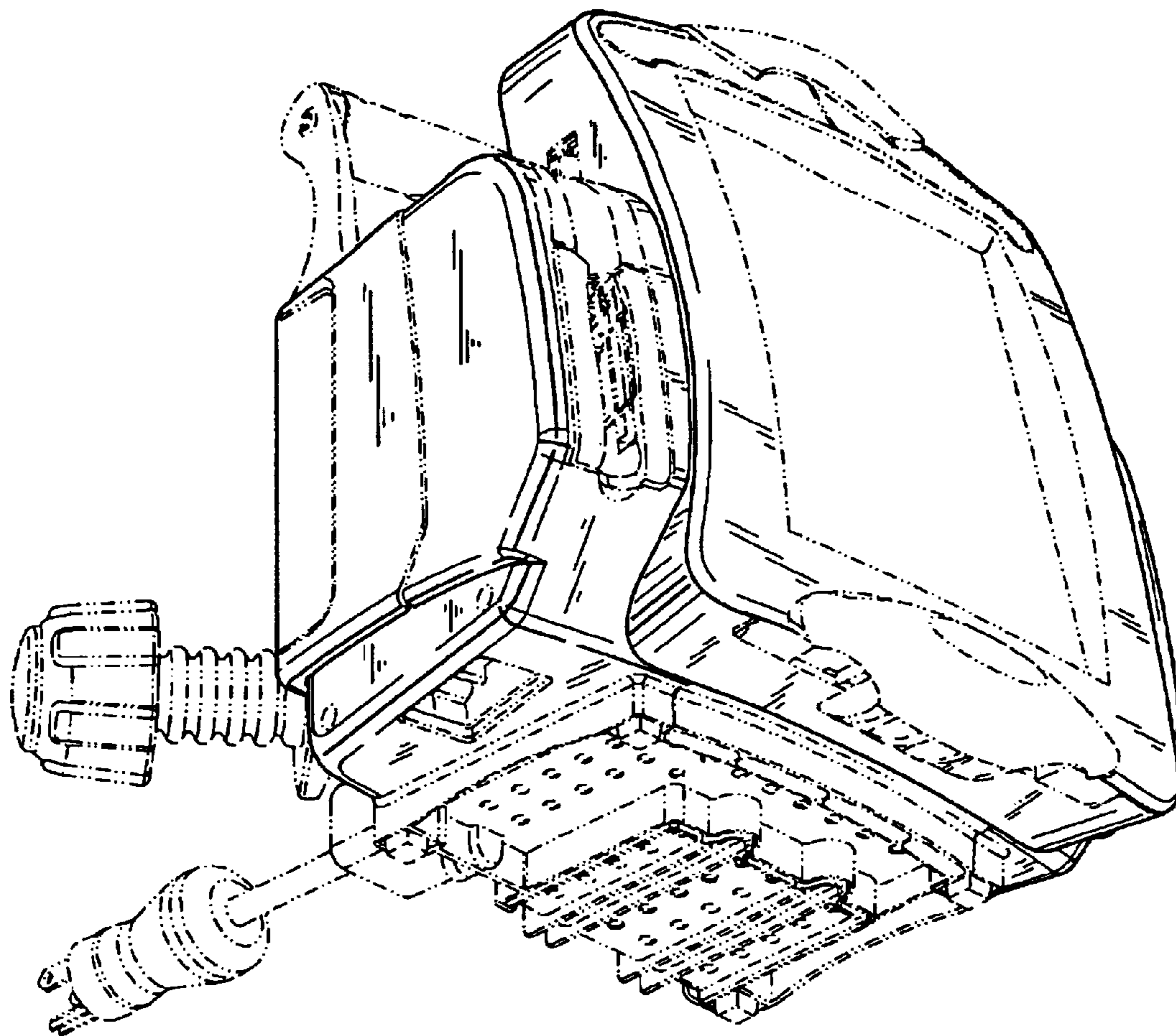


FIG. 10