

US00D500319S

(12) **United States Design Patent**
Wada

(10) **Patent No.: US D500,319 S**
(45) **Date of Patent: ** Dec. 28, 2004**

(54) **MOBILE USER INTERFACE DEVICE**

(75) **Inventor: Joe Wada, Malmo (SE)**

(73) **Assignee: Sony Ericsson Mobile
Communications AB (SE)**

(**) **Term: 14 Years**

(21) **Appl. No.: 29/199,179**

(22) **Filed: Feb. 11, 2004**

(30) **Foreign Application Priority Data**

Sep. 2, 2003 (EM) 69844

(51) **LOC (7) Cl. 14-02**

(52) **U.S. Cl. D14/401**

(58) **Field of Search** D14/400, 401,
D14/412-416; D21/324, 333; 273/148 B;
463/1, 37, 38, 40-47; 345/156-161, 905;
74/471 XY

(56) **References Cited**

U.S. PATENT DOCUMENTS

D389,529 S * 1/1998 Hayami D14/401
6,001,015 A * 12/1999 Nishiumi et al. 463/38
D420,660 S * 2/2000 Chen D14/401
6,171,191 B1 * 1/2001 Ogata et al. 463/38

6,231,444 B1 * 5/2001 Goto et al. 463/37
6,342,009 B1 * 1/2002 Soma 463/38
6,394,906 B1 * 5/2002 Ogata 463/38
D462,393 S * 9/2002 Ku D21/333
D469,766 S * 2/2003 Hussaini et al. D14/401
6,593,913 B1 * 7/2003 Krohn et al. 345/168
D491,183 S * 6/2004 Swan et al. D14/401

* cited by examiner

Primary Examiner—Prabhakar Deshmukh

(74) *Attorney, Agent, or Firm*—Myers Bigel Sibley & Sajovec, P.A.

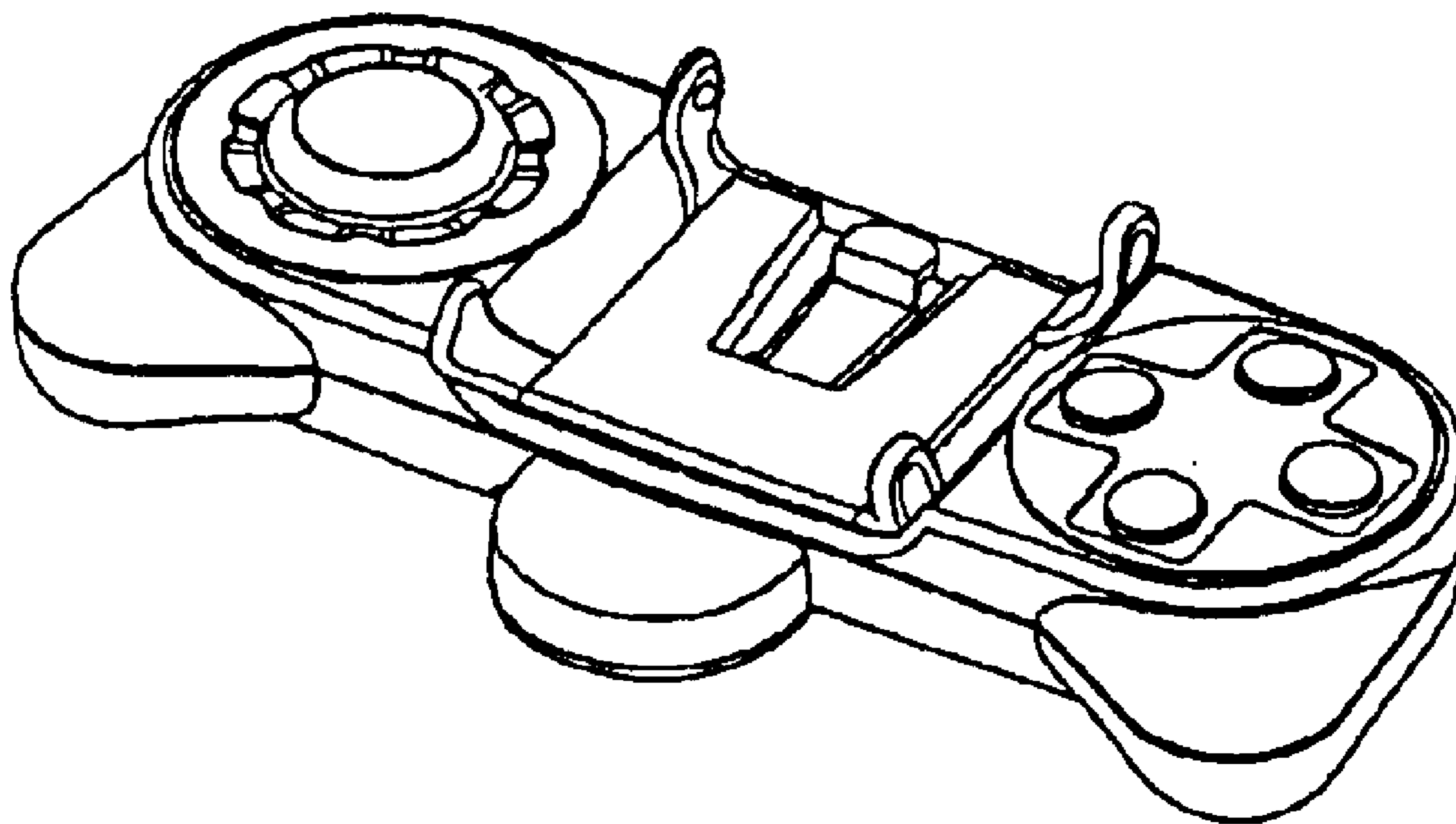
(57) **CLAIM**

The ornamental design for a mobile user interface device, as shown and described.

DESCRIPTION

FIG. 1 is a top view of a mobile user interface device showing my design;
FIG. 2 is a bottom view thereof;
FIG. 3 is left side view thereof;
FIG. 4 is right side view thereof;
FIG. 5 is rear view thereof;
FIG. 6 is a front view thereof; and,
FIG. 7 is a top perspective view thereof.

1 Claim, 1 Drawing Sheet



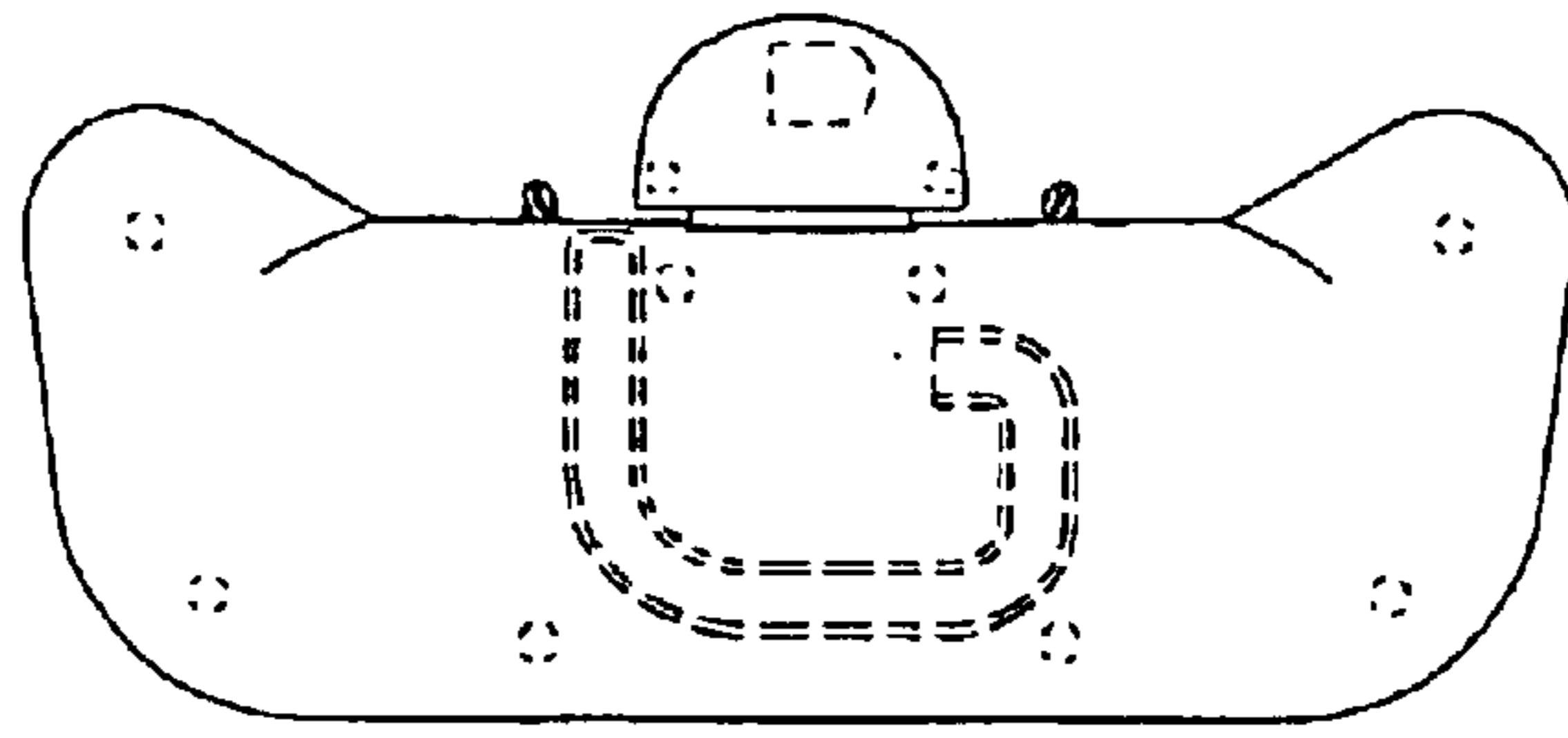


Figure 2

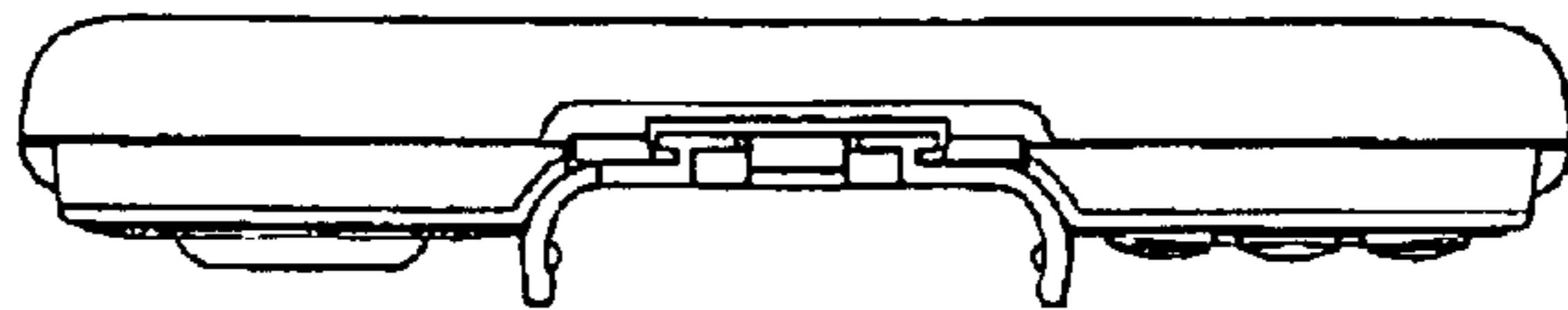


Figure 5

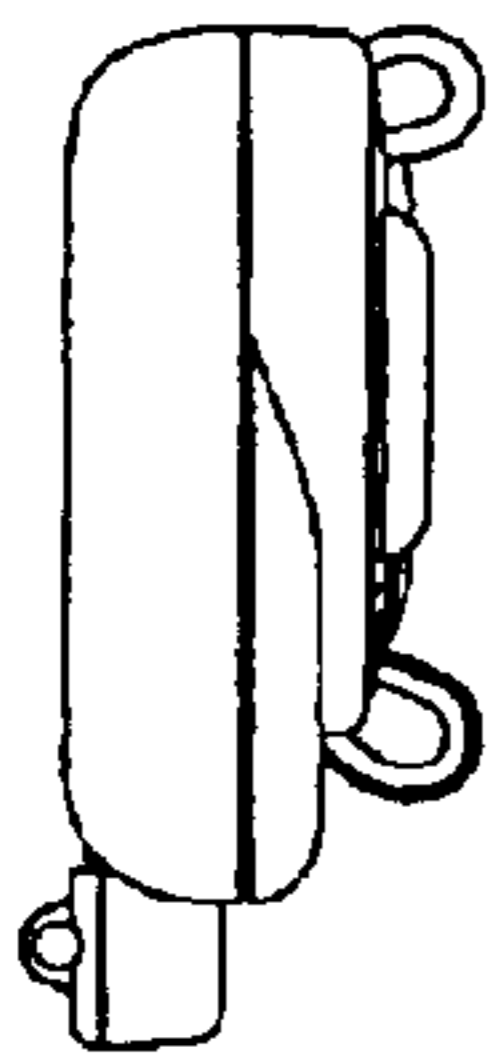


Figure 3

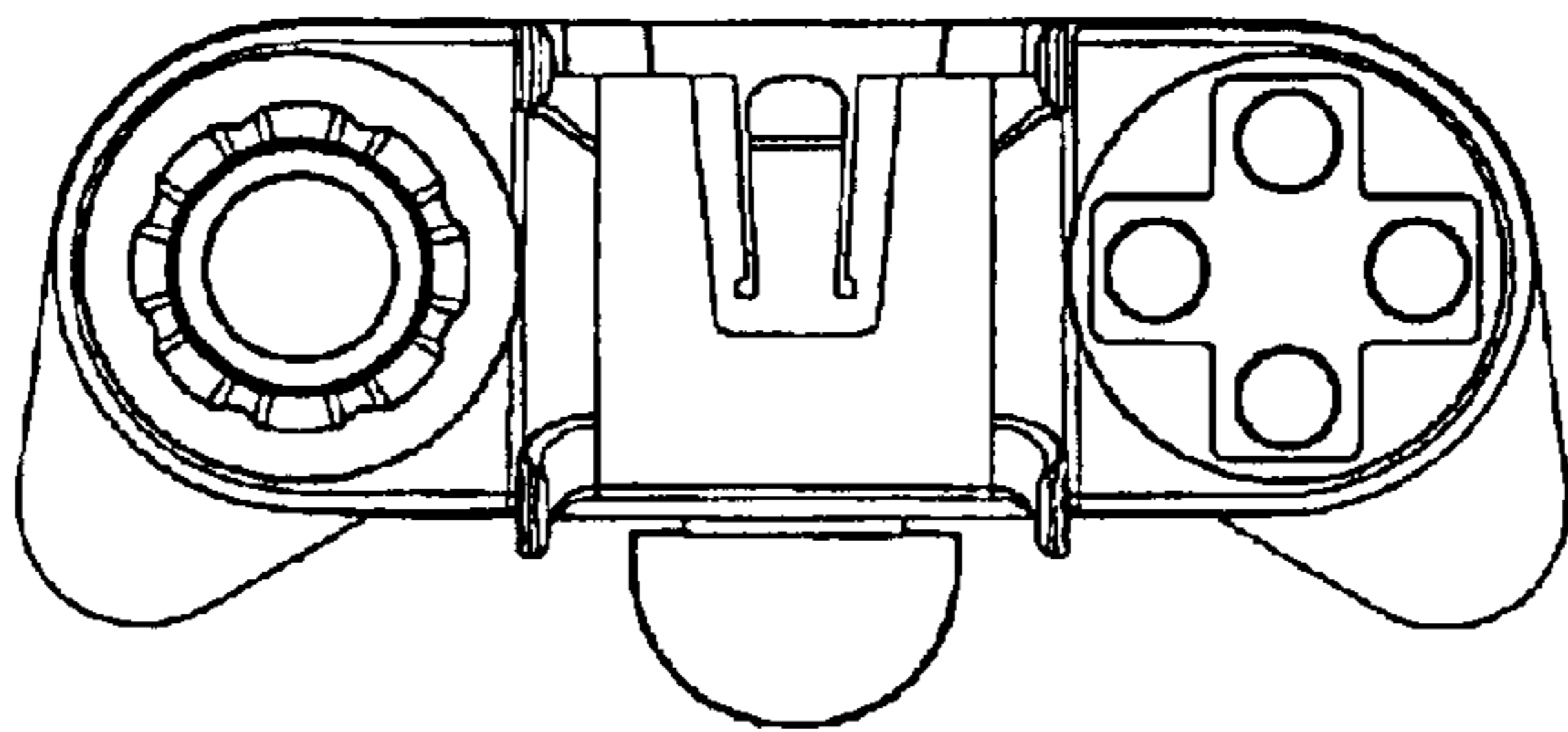


Figure 1

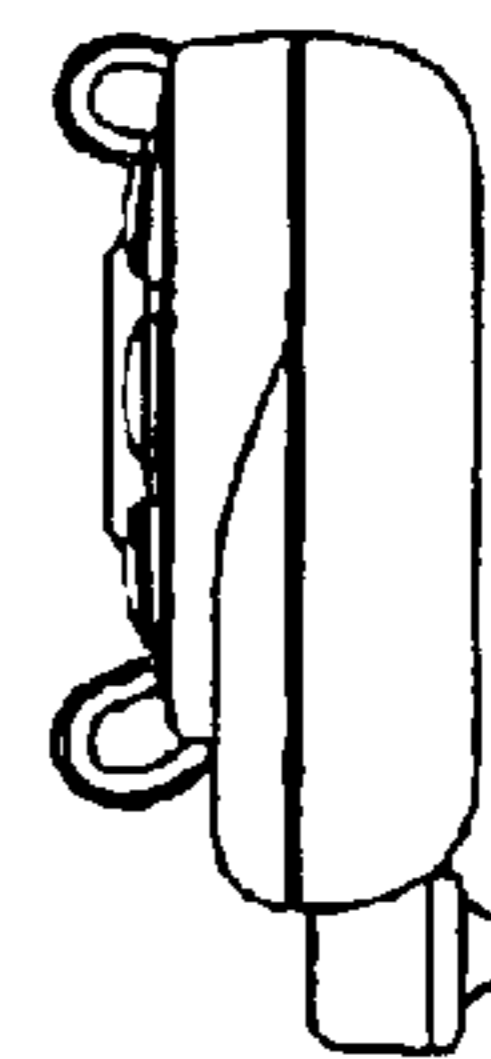


Figure 4

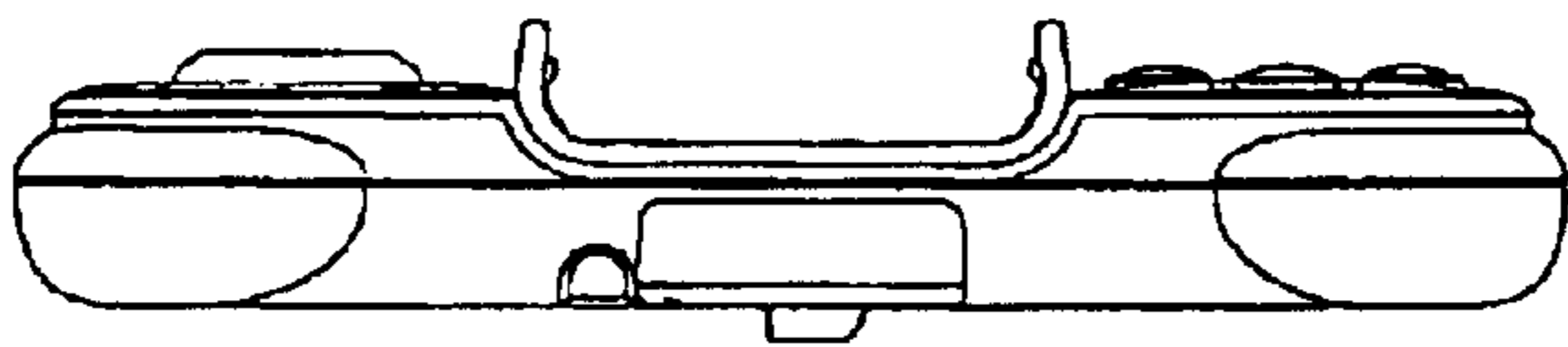


Figure 6

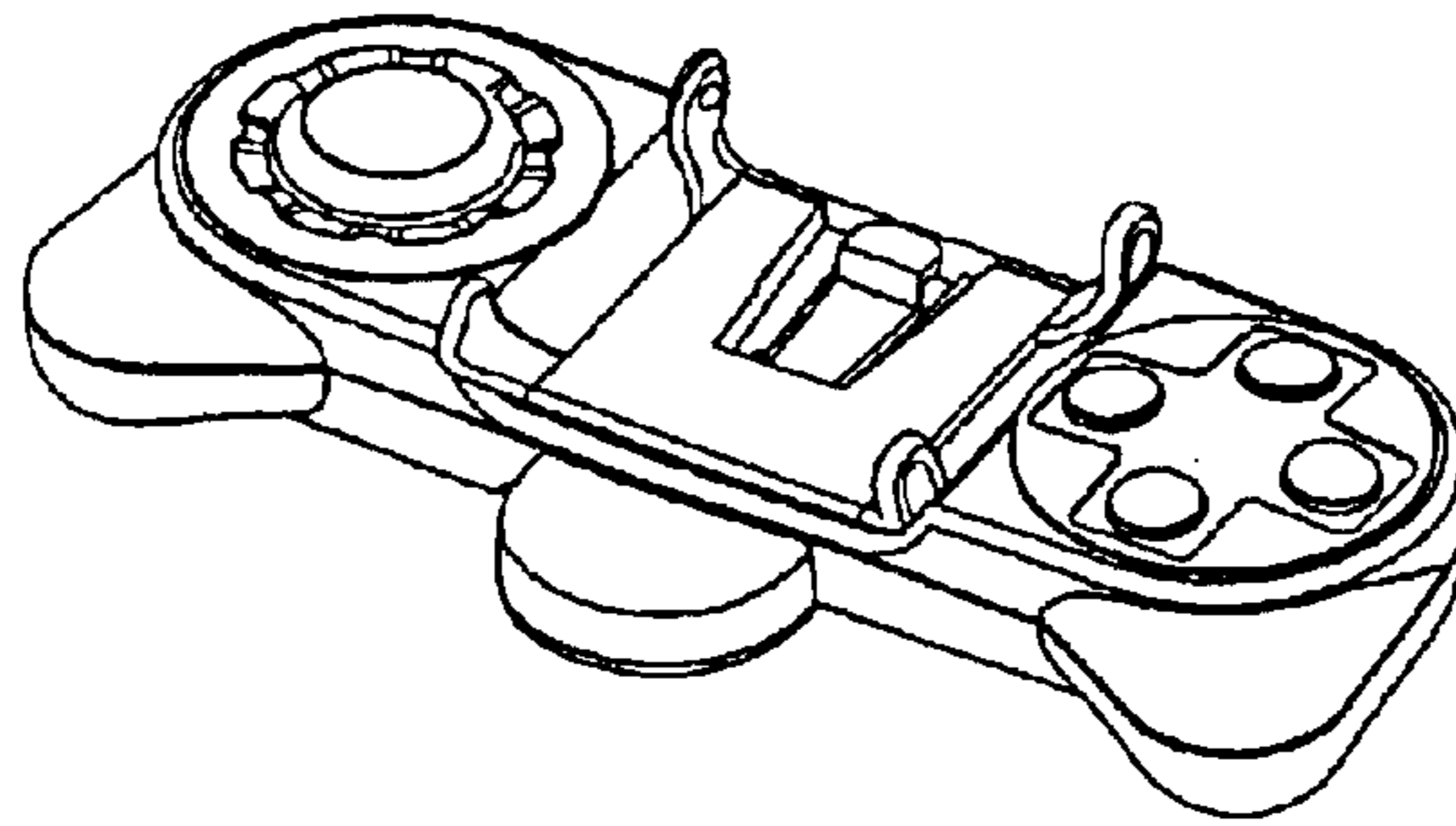


Figure 7