



US00D500316S

(12) **United States Design Patent**
Lynch et al.

(10) **Patent No.:** **US D500,316 S**
(45) **Date of Patent:** **** Dec. 28, 2004**

(54) **INTERACTIVE PRINT MEDIA APPARATUS**

(75) Inventors: **Larry Lynch**, Los Gatos, CA (US);
Eric Thomas Shuler, Piedmont, CA
(US); **George Heropoulos**, Morgan
Hill, CA (US)

(73) Assignee: **LeapFrog Enterprises, Inc.**, Emerville,
CA (US)

(**) Term: **14 Years**

(21) Appl. No.: **29/179,875**

(22) Filed: **Apr. 15, 2003**

(51) **LOC (7) Cl.** **14-02**

(52) **U.S. Cl.** **D14/345**

(58) **Field of Search** D14/341-345;
D19/59, 60, 26; 178/18.03; 345/104, 156,
168, 173, 901, 905; 349/12; 434/317

(56) **References Cited**

U.S. PATENT DOCUMENTS

4,913,463 A 4/1990 Tlapek et al.
5,466,158 A * 11/1995 Smith, III 434/317
5,558,520 A * 9/1996 Werzberger 434/317
D385,299 S * 10/1997 Adams D14/342

D391,987 S * 3/1998 Jambhekar et al. D14/345
6,269,238 B1 * 7/2001 Iggulden 434/317
2001/0051329 A1 12/2001 Lynch et al.

* cited by examiner

Primary Examiner—Freda S. Nunn

(74) *Attorney, Agent, or Firm*—Townsend and Townsend
and Crew LLP

(57) **CLAIM**

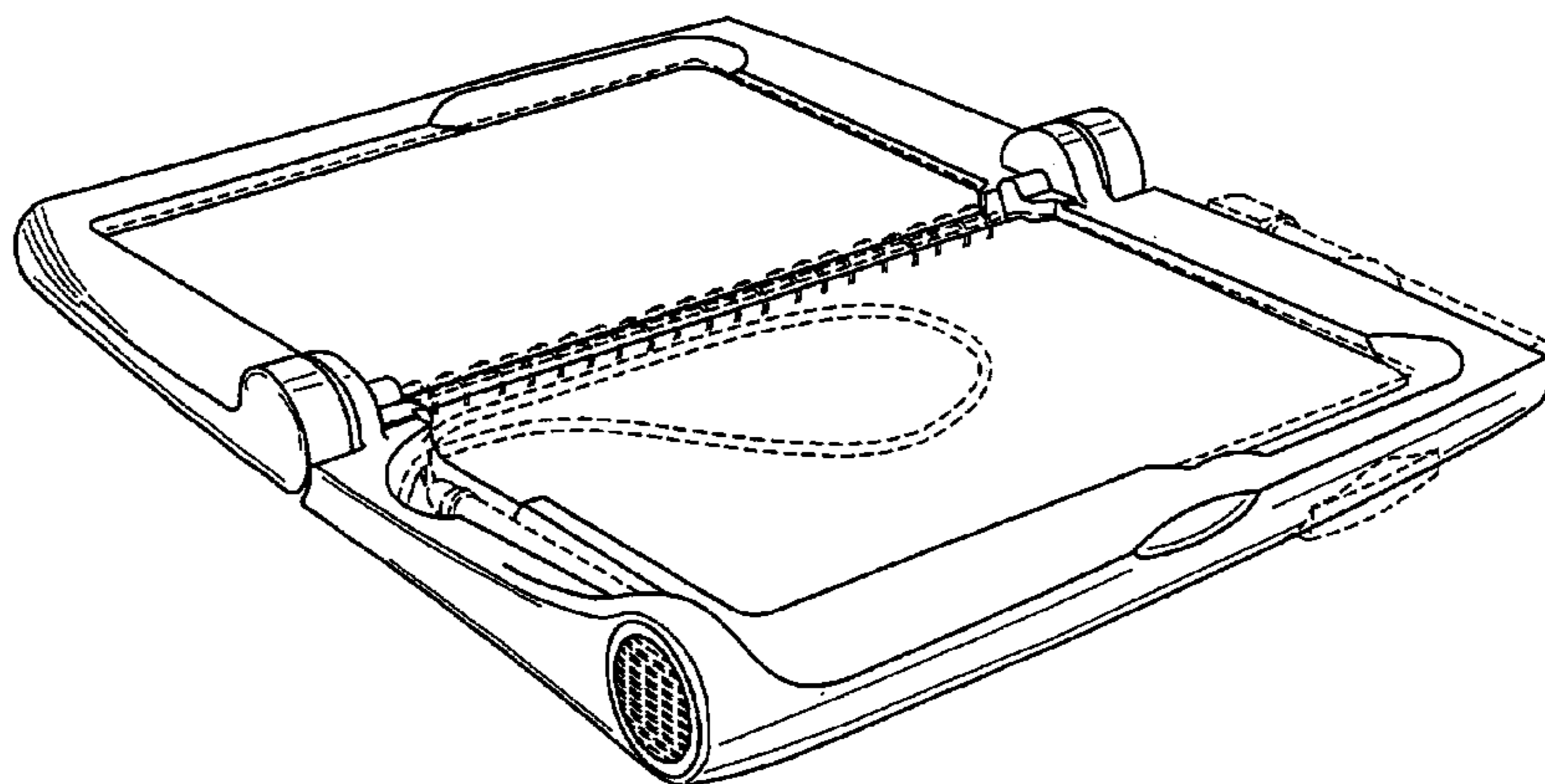
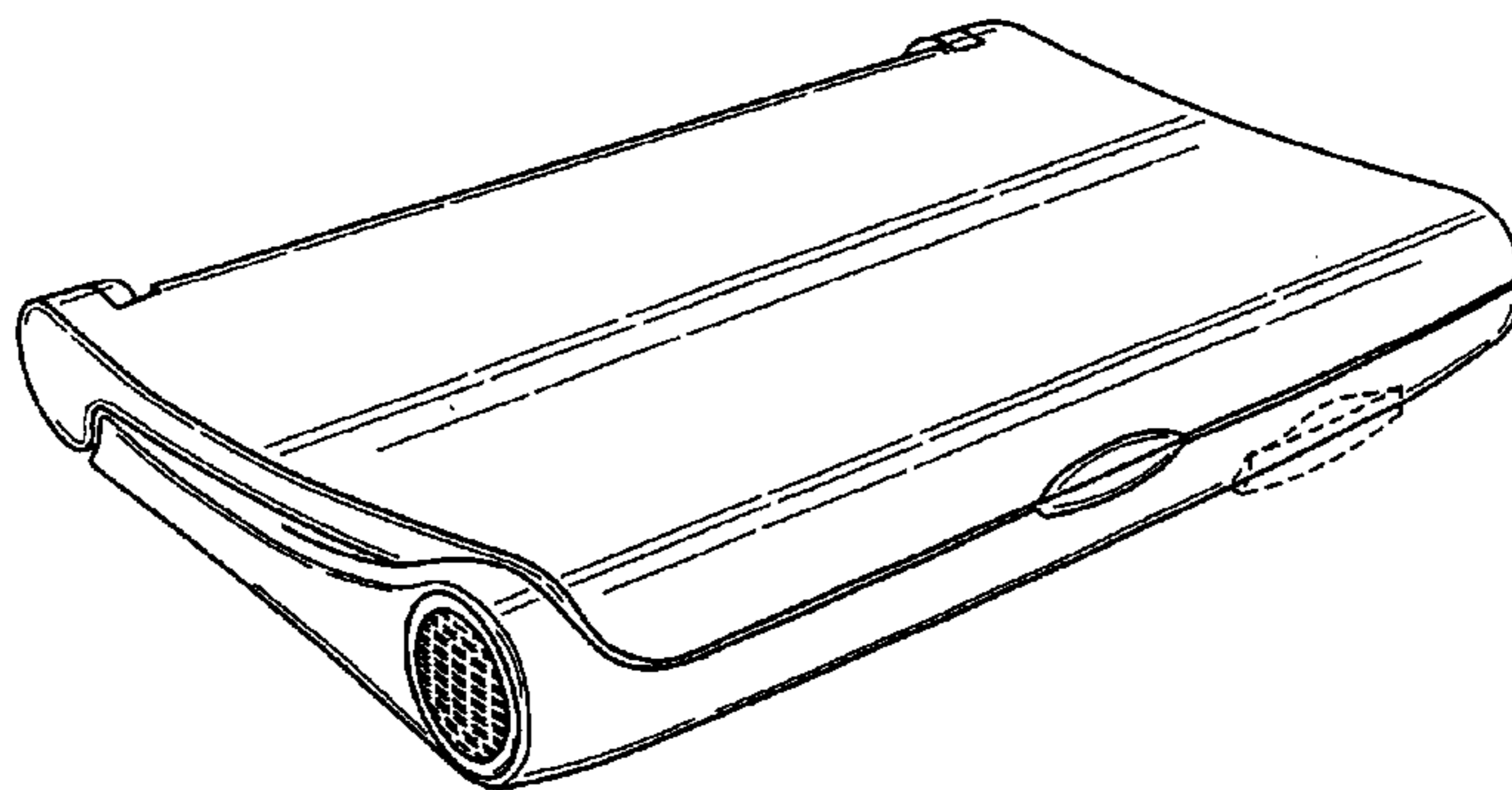
The ornamental design for an interactive print media appa-
ratus, as shown and described.

DESCRIPTION

FIG. 1 is a perspective view of an interactive print media
apparatus showing our new design, in a closed position;
FIG. 2 is a top plan view thereof;
FIG. 3 is a right side elevation view thereof;
FIG. 4 is a left side elevation view thereof;
FIG. 5 is a front elevation view thereof;
FIG. 6 is a back elevation view thereof;
FIG. 7 is a bottom plan view thereof; and,
FIG. 8 is a perspective view of the new design, in an open
position.

The broken lines shown in the drawings form no part of the
claimed design.

1 Claim, 4 Drawing Sheets



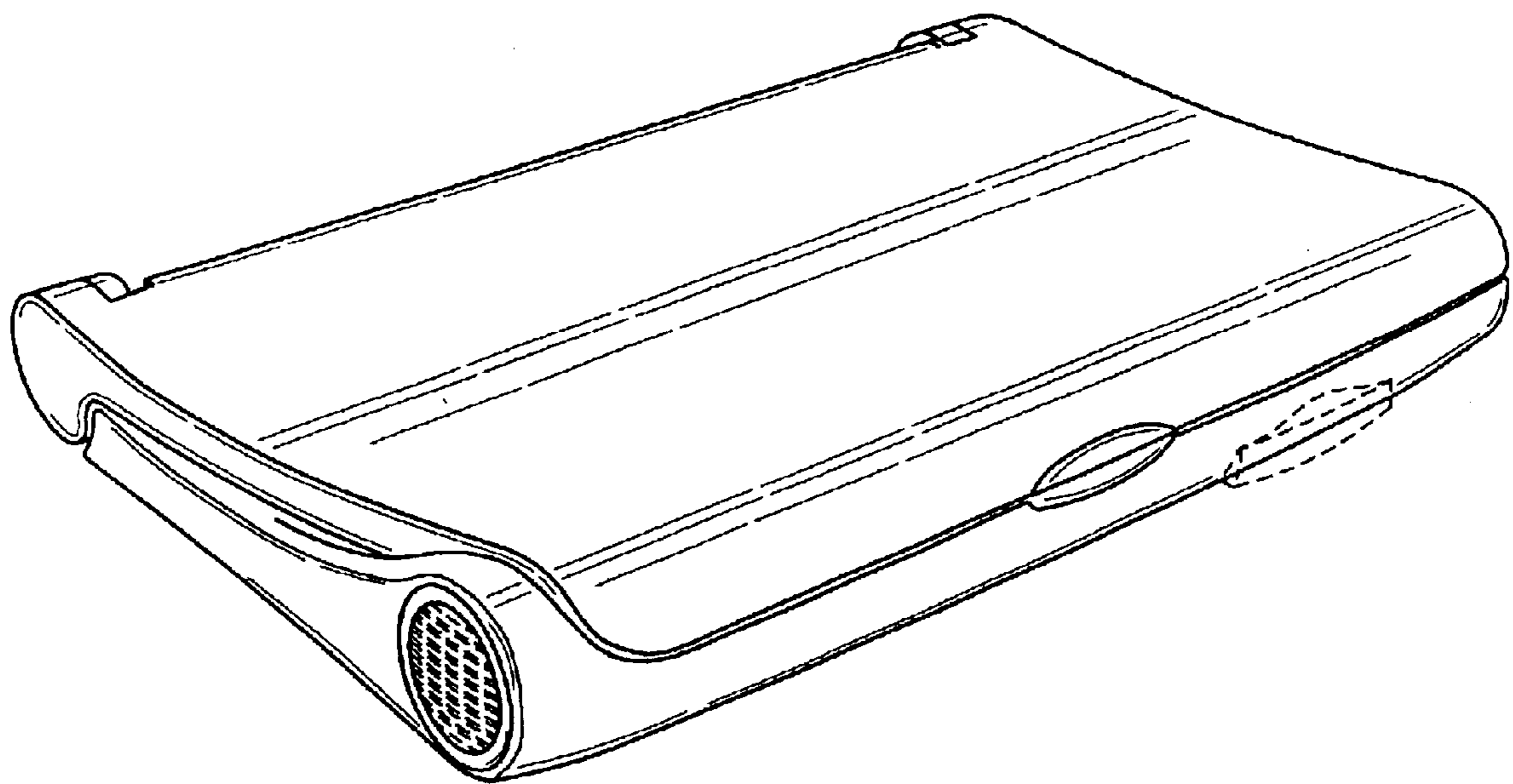


FIG. 1

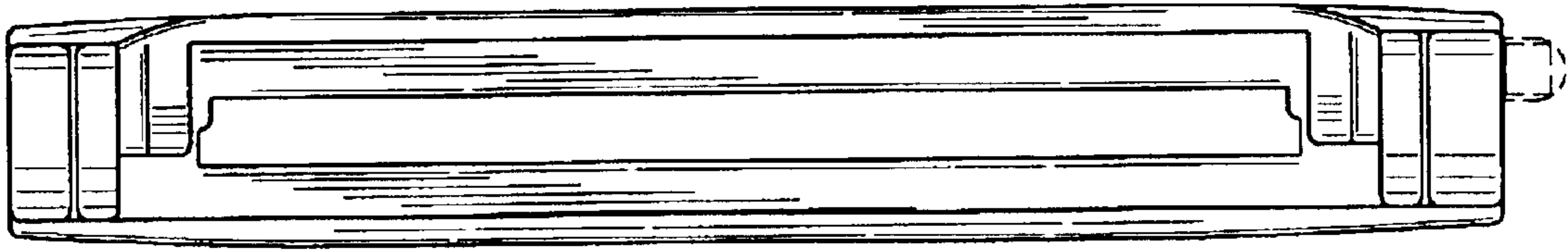


FIG. 4

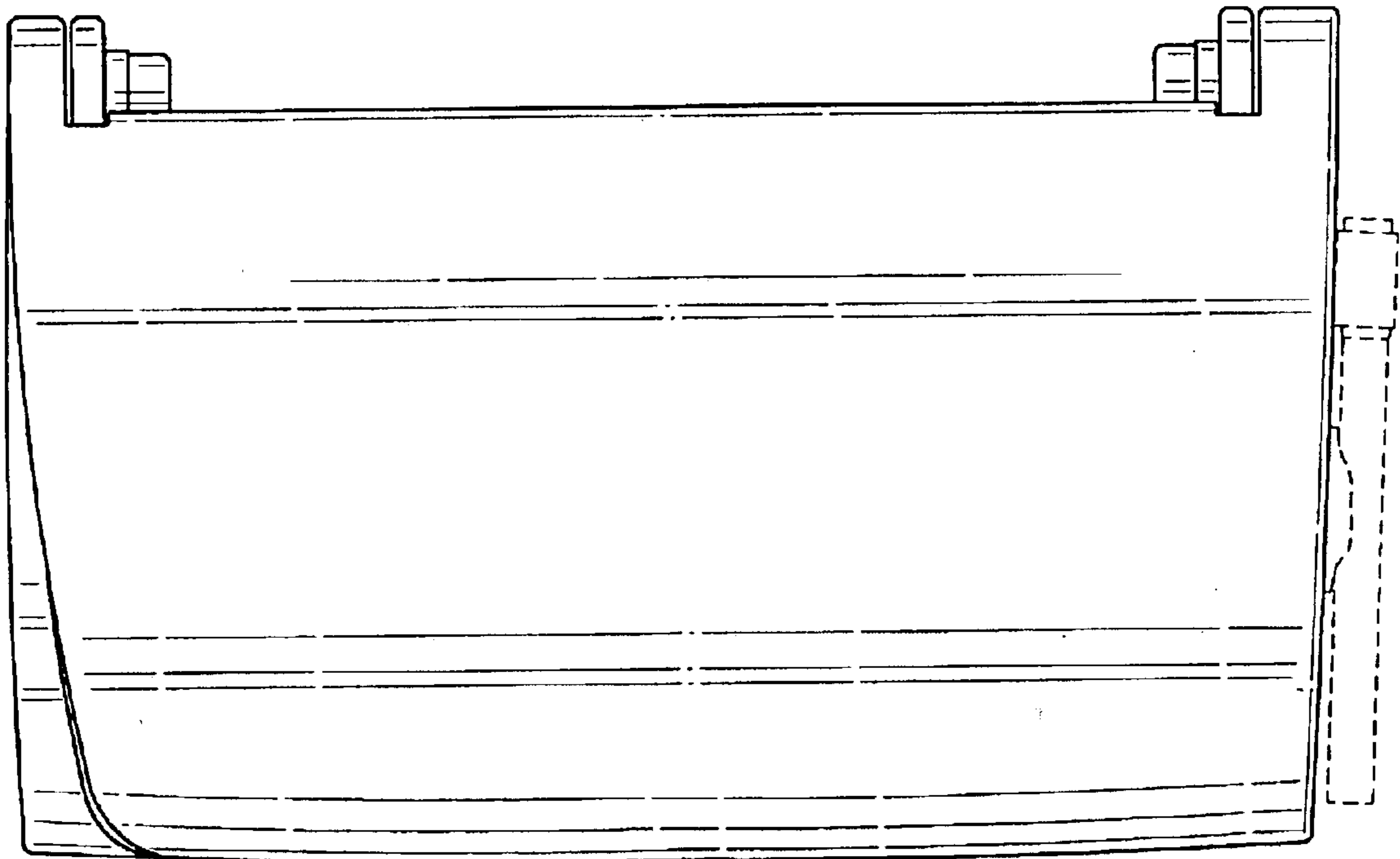


FIG. 2

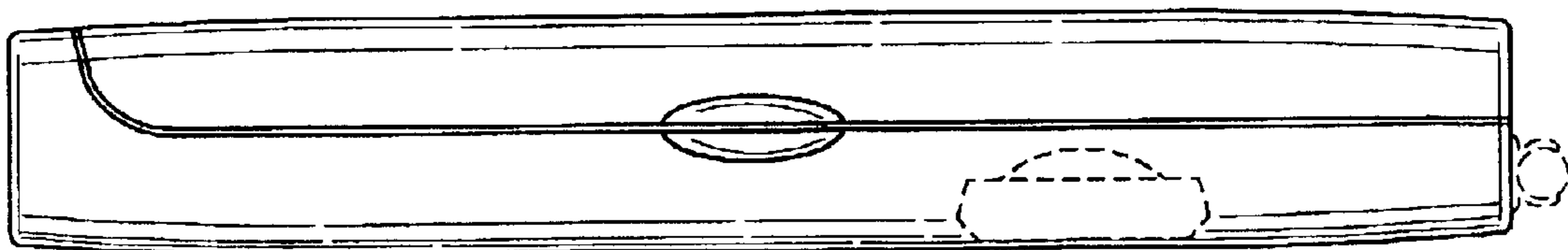


FIG. 3

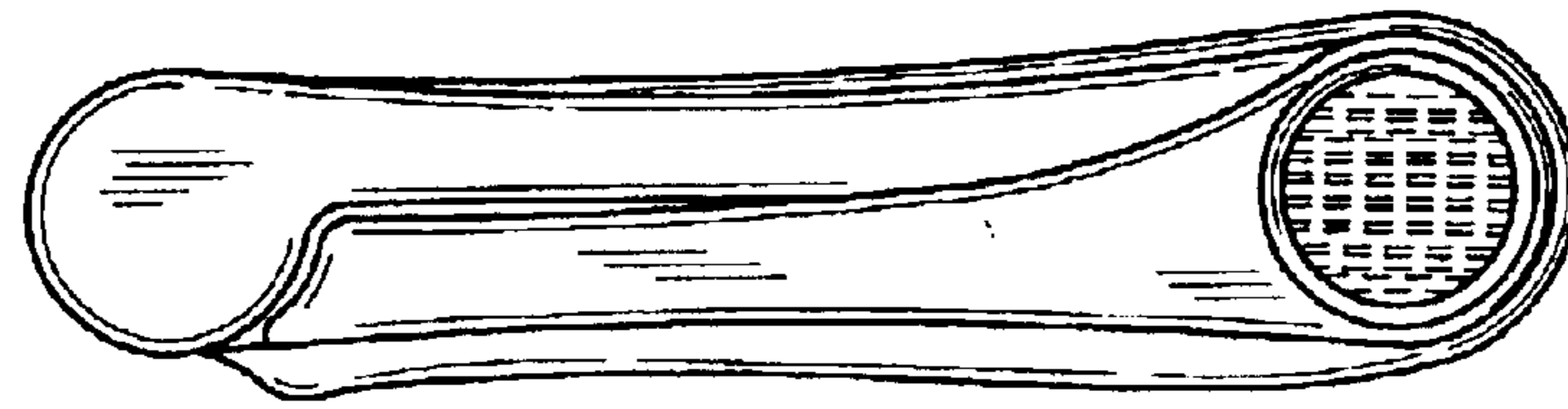


FIG. 5

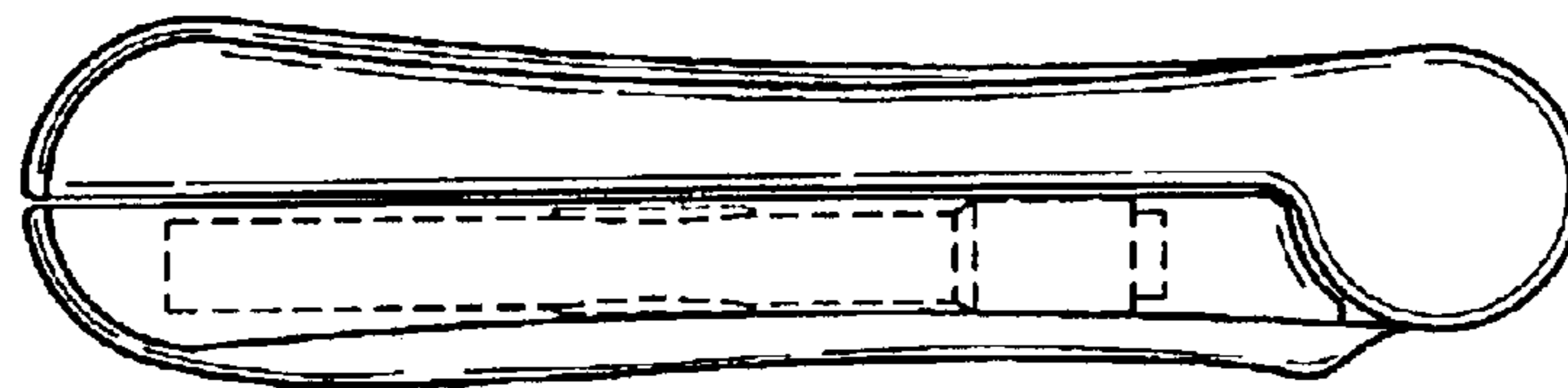


FIG. 6

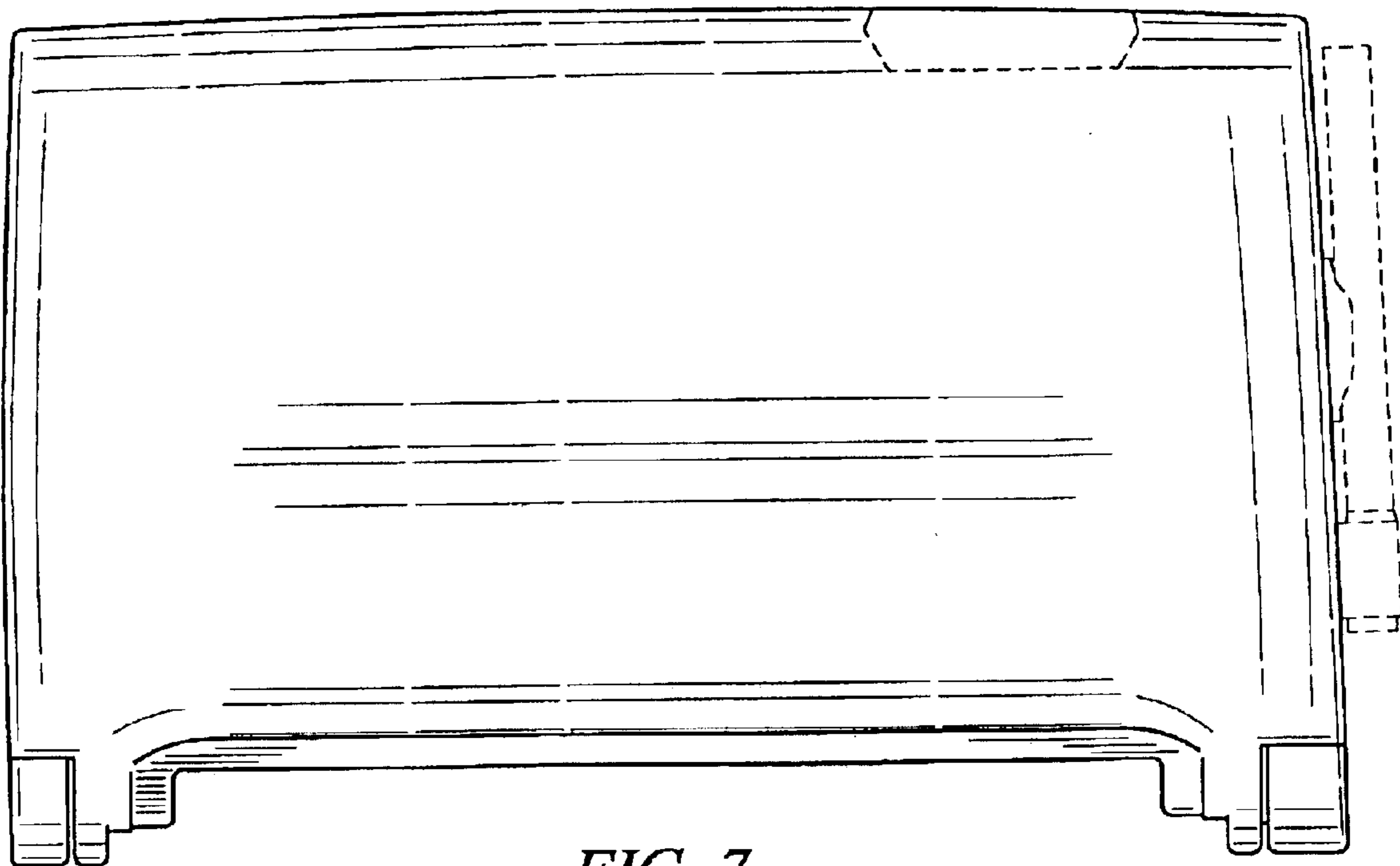


FIG. 7

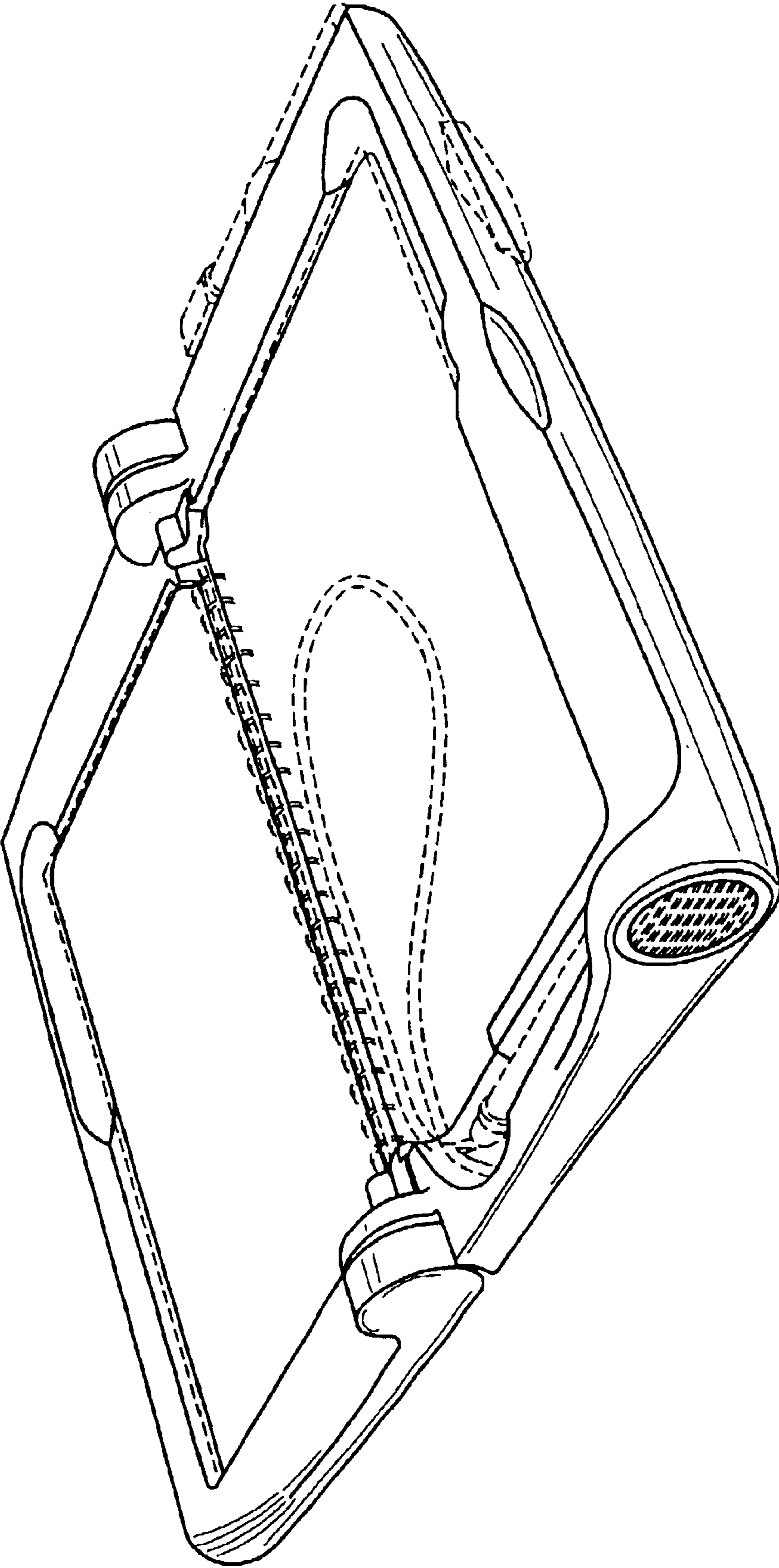


FIG. 8