

US00D500315S

(12) **United States Design Patent**
Miyamoto et al.

(10) **Patent No.: US D500,315 S**
(45) **Date of Patent: ** Dec. 28, 2004**

(54) **MAGNETIC HEAD SUSPENSION**

6,330,209 B1 * 12/2001 Hatam-Tabrizi et al. . 369/13.17
6,512,657 B2 * 1/2003 Heist et al. 360/244.6

(75) Inventors: **Makoto Miyamoto**, Hyogo (JP);
Hideki Kuwajima, Kyoto (JP);
Kenichi Sakamoto, Osaka (JP)

FOREIGN PATENT DOCUMENTS

(73) Assignee: **Matsushita Electric Industrial Co., Ltd.**, Kadoma (JP)

JP	1005527	7/1998
JP	1070660	5/2000
JP	1070938	5/2000

(**) Term: **14 Years**

* cited by examiner

(21) Appl. No.: **29/178,554**

Primary Examiner—Nanda Bondade
(74) *Attorney, Agent, or Firm*—Christensen O'Connor Johnson Kindness PLLC

(22) Filed: **Mar. 25, 2003**

(57) **CLAIM**

(30) **Foreign Application Priority Data**

The ornamental design for a magnetic head suspension, as shown and described.

Sep. 26, 2002 (JP) 2002-026336

(51) **LOC (7) Cl.** **14-99**

DESCRIPTION

(52) **U.S. Cl.** **D14/260**

(58) **Field of Search** D14/156, 217,
D14/239, 260, 260.1, 262, 264; 242/333.6,
356; 360/244.6, 245, 245.1, 245.5, 245.9,
264.4, 244.8, 265.7; 29/603.03, 603.04;
369/13.17

FIG. 1 is a perspective view of the front, bottom and left side of a magnetic head suspension showing our new design; FIG. 2 is a front view thereof; FIG. 3 is a rear view thereof; FIG. 4 is a left side view thereof; FIG. 5 is a right side view thereof; FIG. 6 is a top plan view thereof; and, FIG. 7 is a bottom view thereof.

(56) **References Cited**

U.S. PATENT DOCUMENTS

5,126,904 A * 6/1992 Sakurai 360/244.2
5,677,815 A * 10/1997 Chan 360/265.7
D437,846 S * 2/2001 Kabasawa et al. D14/260

The dot and dash lines which define the bounds of the claimed design form no part thereof.

1 Claim, 3 Drawing Sheets

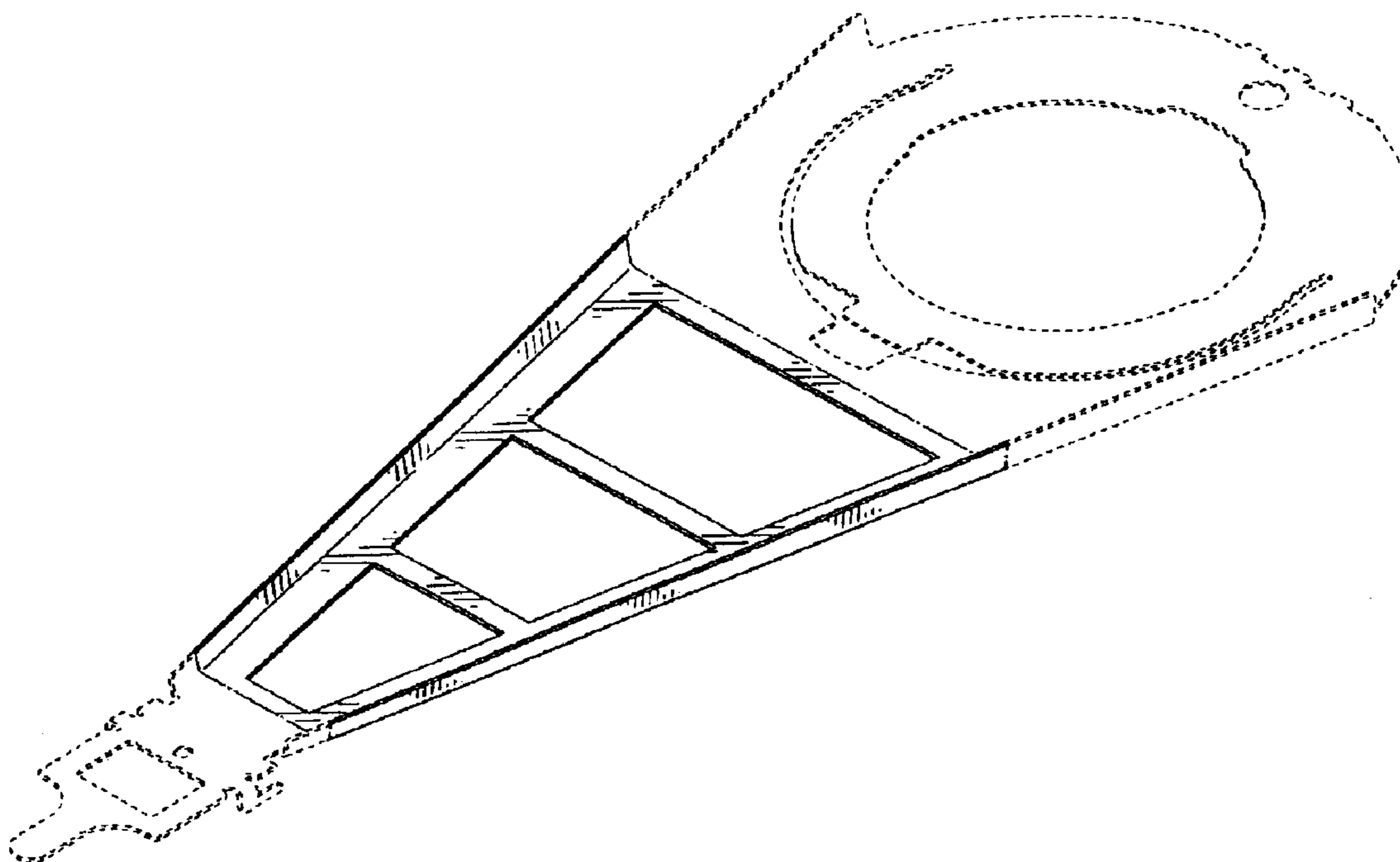


FIG. 1

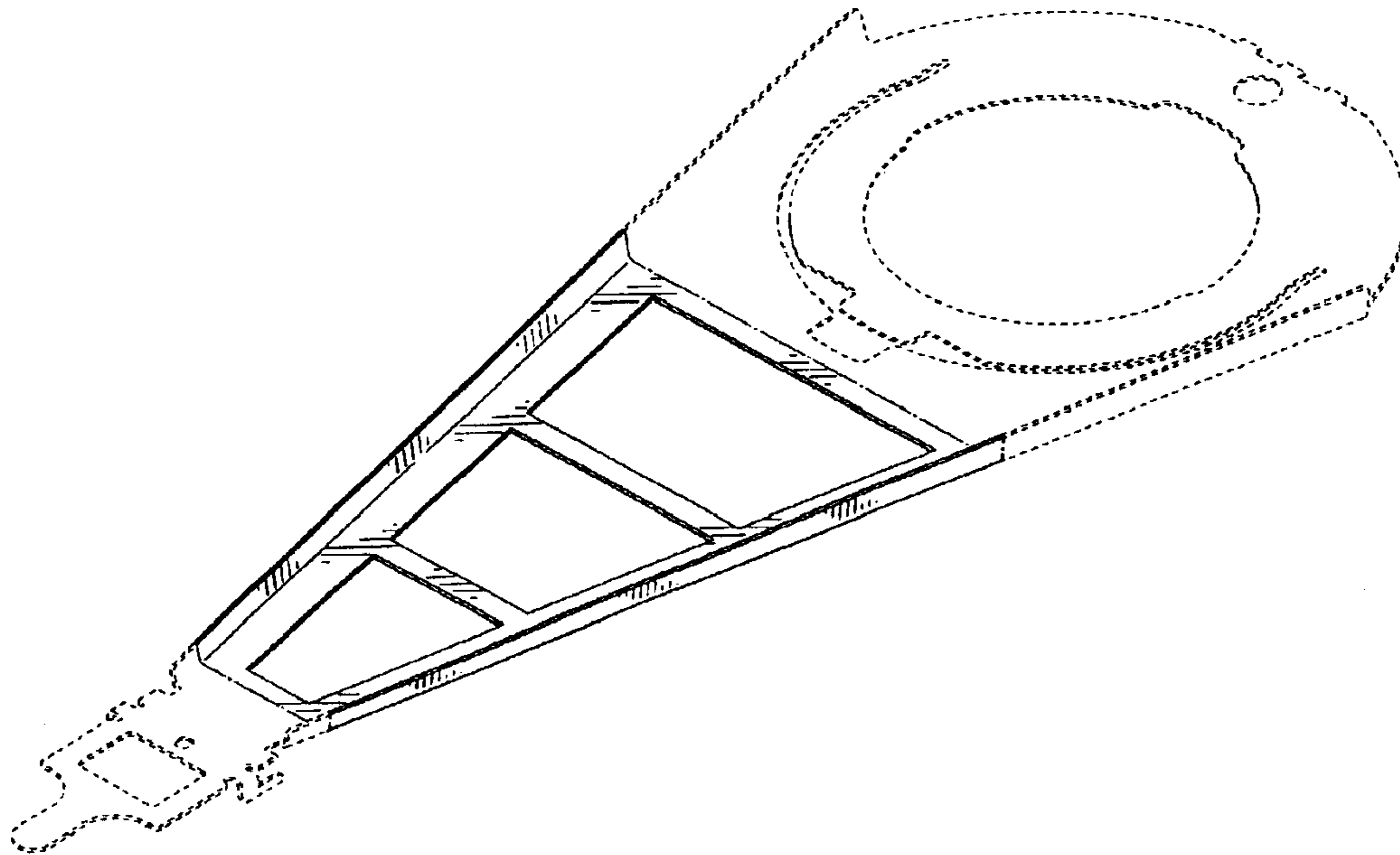


FIG. 2

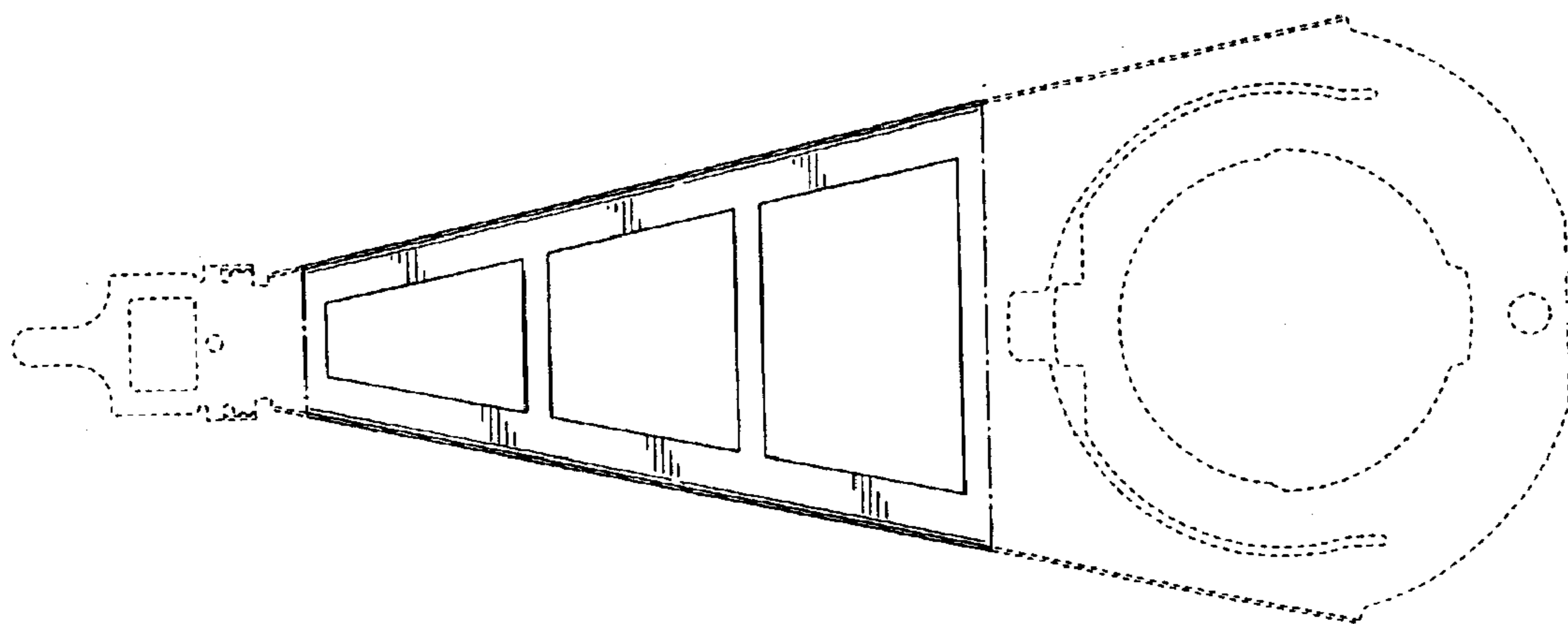


FIG. 3

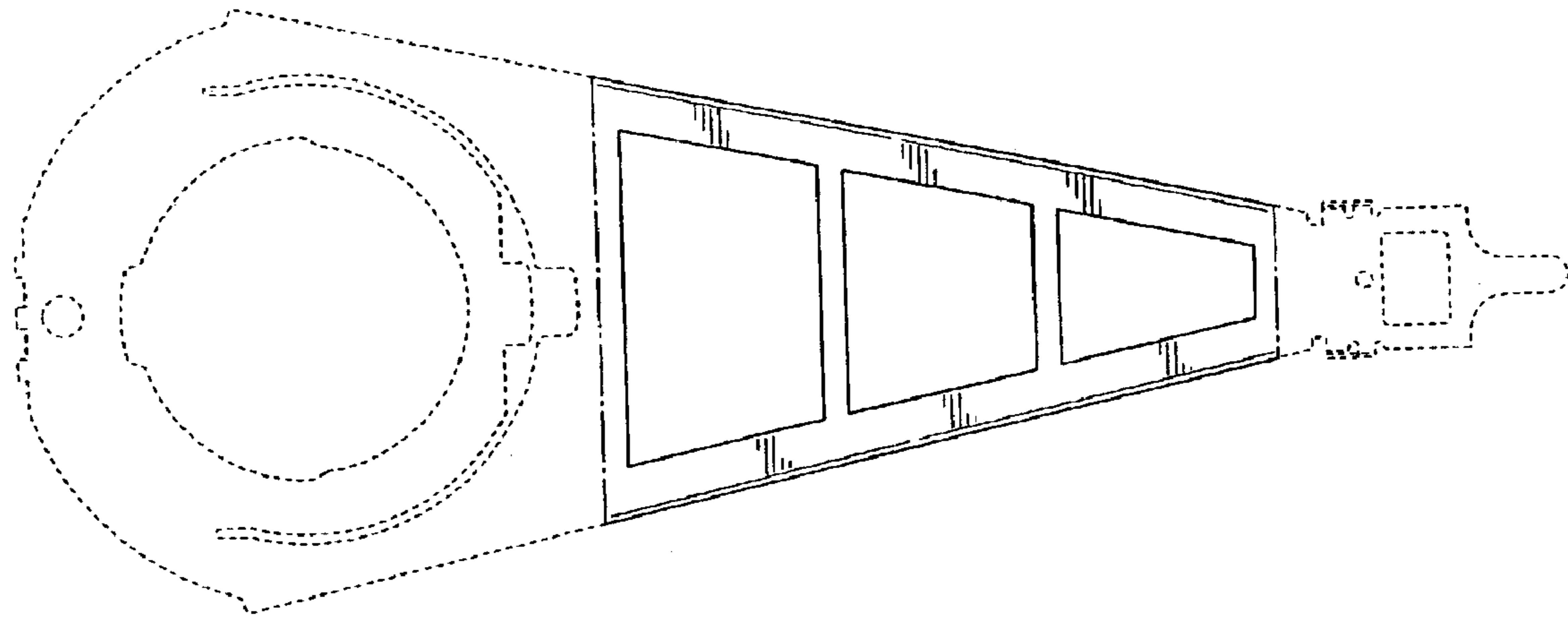


FIG. 4

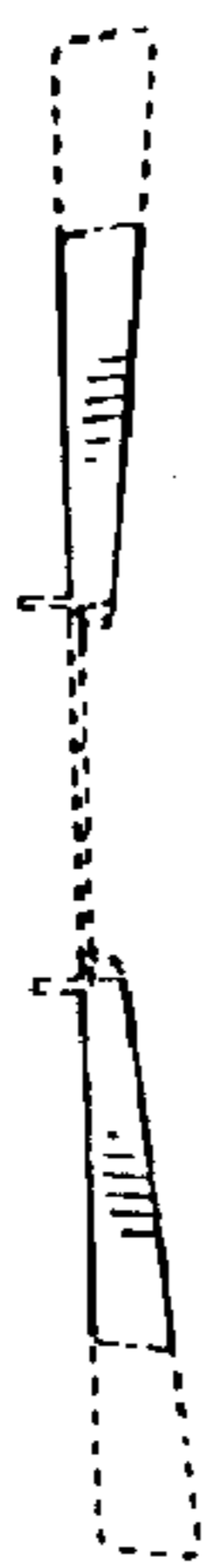


FIG. 5



FIG. 6

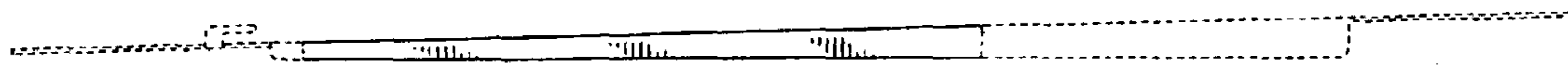
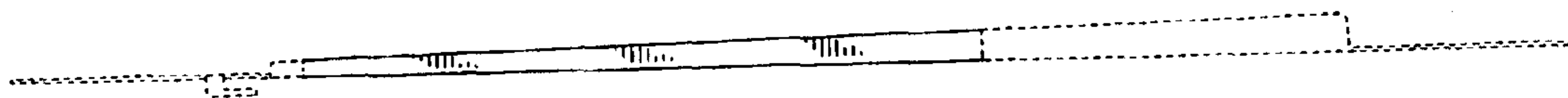


FIG. 7



UNITED STATES PATENT AND TRADEMARK OFFICE
CERTIFICATE OF CORRECTION

PATENT NO. : Des. 500,315 S
DATED : December 28, 2004
INVENTOR(S) : M. Miyamoto et al.

Page 1 of 1

It is certified that error appears in the above-identified patent and that said Letters Patent is hereby corrected as shown below:

Title page,

Item [73], Assignee, "Kadoma" should read -- Osaka --

Item [57], **DESCRIPTION,**

Line 10, after "thereof." insert -- The portions of the article in broken lines are shown for illustrative purposes only and form no part of the claimed design. --

Signed and Sealed this

Seventh Day of June, 2005

A handwritten signature in black ink on a light gray dotted background. The signature reads "Jon W. Dudas" in a cursive, stylized script.

JON W. DUDAS

Director of the United States Patent and Trademark Office