

US00D500310S

(12) **United States Design Patent**
Johansson

(10) **Patent No.: US D500,310 S**

(45) **Date of Patent: ** Dec. 28, 2004**

(54) **KEY BUTTON ARRANGEMENT FOR A HANDSET**

(75) Inventor: **Panu Johansson, Frederiksberg (DK)**

(73) Assignee: **Nokia Corporation, Espoo (FI)**

(**) Term: **14 Years**

(21) Appl. No.: **29/177,164**

(22) Filed: **Mar. 6, 2003**

(30) **Foreign Application Priority Data**

Sep. 6, 2002 (FI) M20020538

(51) **LOC (7) Cl. 14-03**

(52) **U.S. Cl. D14/247**

(58) **Field of Search** D14/137, 138,
D14/218, 147-148, 247-249, 401, 144,
455, 456, 341-347, 338-340, 399, 426,
387, 429, 453; 379/433.01-433.13, 434,
419, 420.01-420.04, 428.01-428.02, 440,
368-370; 455/550.1-90.3; D13/168; D18/2,
7; 345/168, 169; D21/329, 331, 517

(56) **References Cited**

U.S. PATENT DOCUMENTS

- D395,889 S * 7/1998 Gerba et al. D14/218
- D408,824 S * 4/1999 Johansson et al. D14/247
- D420,677 S * 2/2000 Kolinen D14/247
- D422,596 S * 4/2000 Nakahara et al. D14/247
- D432,529 S * 10/2000 Kolinen D14/247
- D440,970 S * 4/2001 Henderson et al. D14/399
- D441,745 S * 5/2001 Yabusaki D14/247
- D448,021 S * 9/2001 Arbisi et al. D14/248
- D448,367 S * 9/2001 Johansson D14/247
- D459,344 S * 6/2002 Vuolteenaho D14/247

- D460,079 S * 7/2002 Brunner et al. D14/455
- D469,070 S * 1/2003 Lee D14/138
- D469,367 S * 1/2003 Mirabelli et al. D10/65
- D471,184 S * 3/2003 Dalby et al. D14/247
- D473,809 S * 4/2003 Disch D10/78
- D476,320 S * 6/2003 Arbisi et al. D14/247
- D480,392 S * 10/2003 Dalby et al. D14/247
- D484,873 S * 1/2004 Salmi D14/247
- D485,246 S * 1/2004 Johansson et al. D14/138
- 2003/0083021 A1 * 5/2003 Hsu et al. 455/90
- 2003/0153349 A1 * 8/2003 Sun 455/550

FOREIGN PATENT DOCUMENTS

- FI 22882 6/2002
- FI 22883 6/2002
- FI 22884 6/2002

* cited by examiner

Primary Examiner—Jeffrey Asch

(74) *Attorney, Agent, or Firm*—Banner & Witcoff, Ltd.

(57) **CLAIM**

The ornamental design for a key button arrangement for a handset, as shown and described.

DESCRIPTION

FIG. 1 is a perspective front view of a key button arrangement for a handset showing my new design;

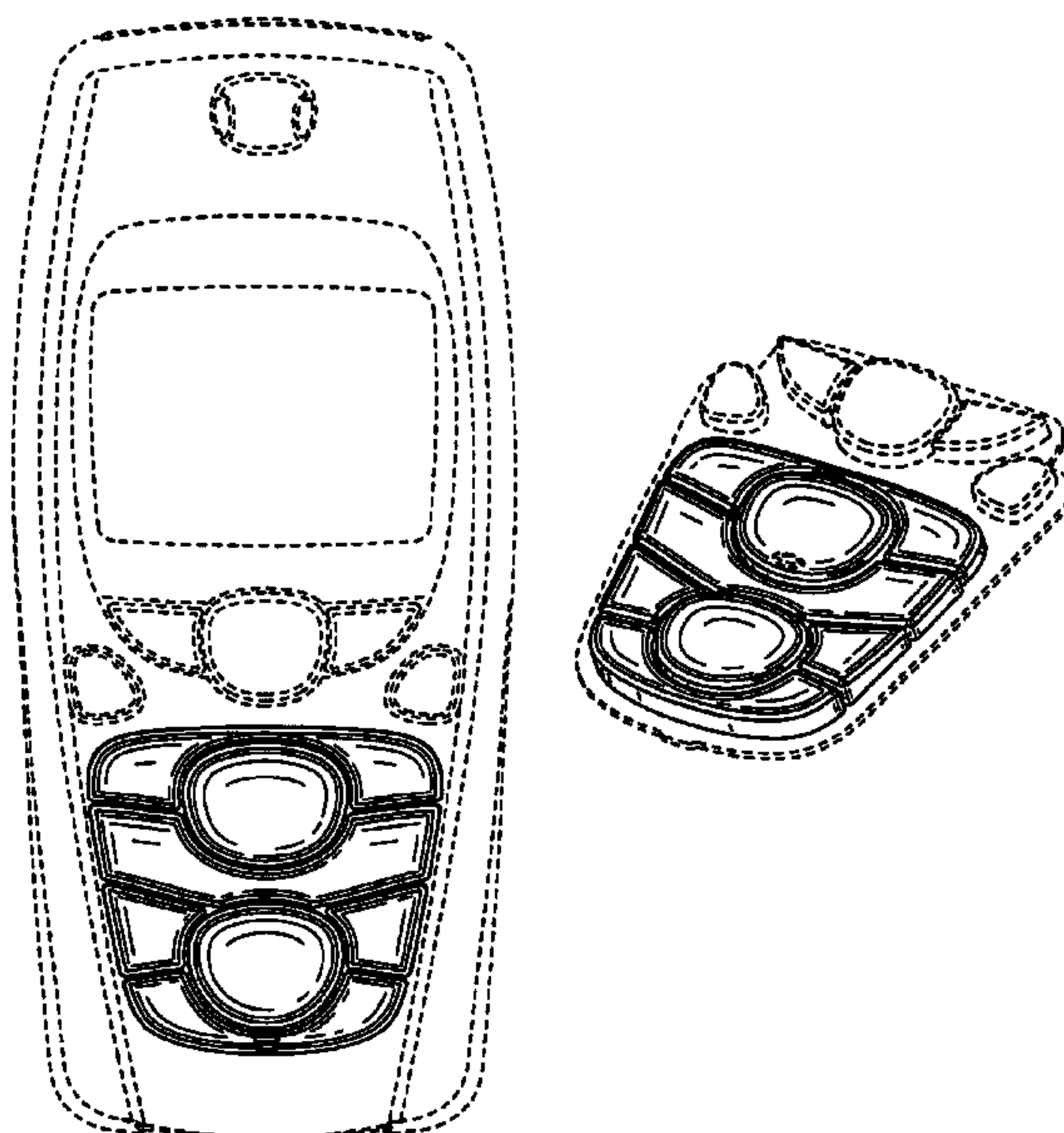
FIG. 2 is a front view thereof;

FIG. 3 is a front view of a second embodiment of the key button arrangement for a handset of FIG. 1; and,

FIG. 4 is a perspective view thereof.

The broken line showings of the remainder of a keypad and the remainder of a handset are for illustrative purposes only and form no part of the claimed design.

1 Claim, 3 Drawing Sheets



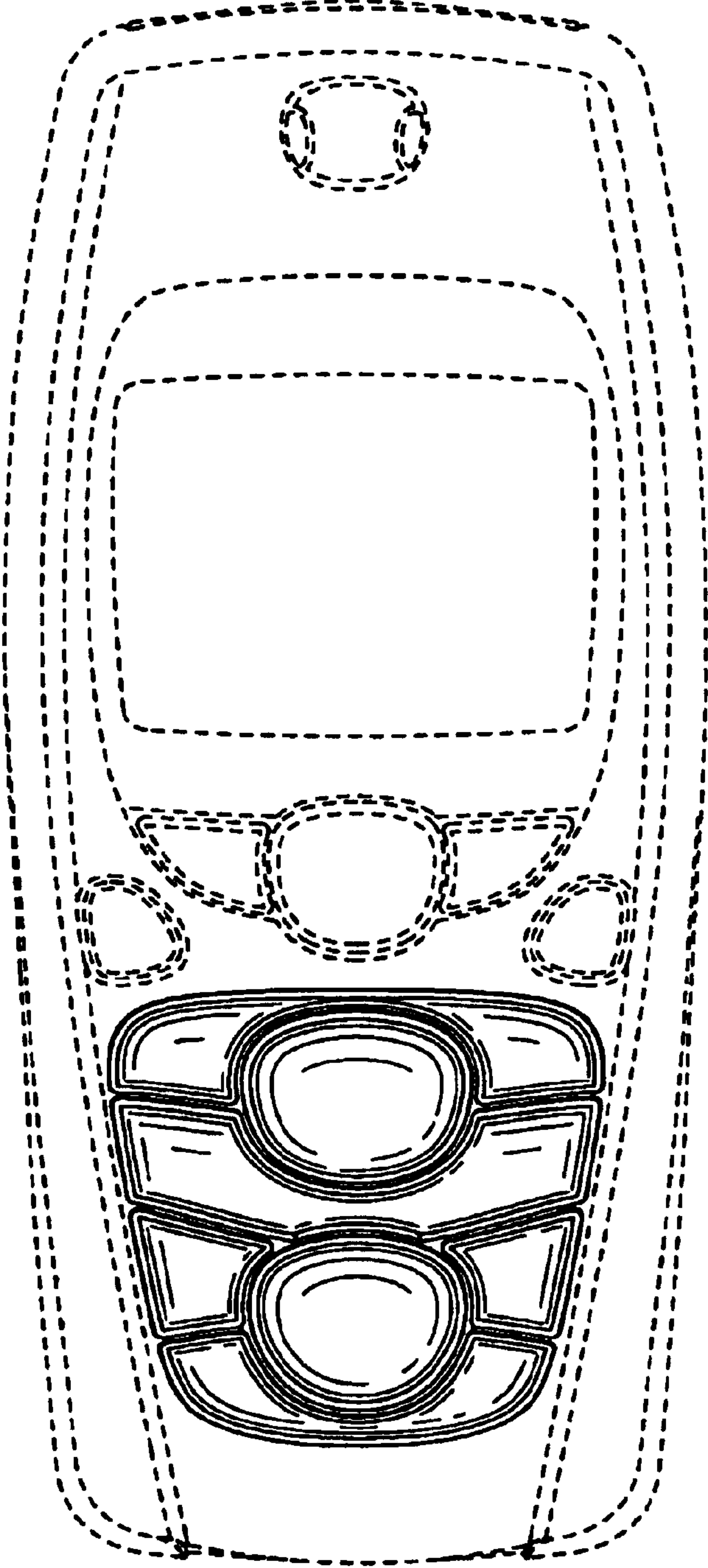


FIG. 1

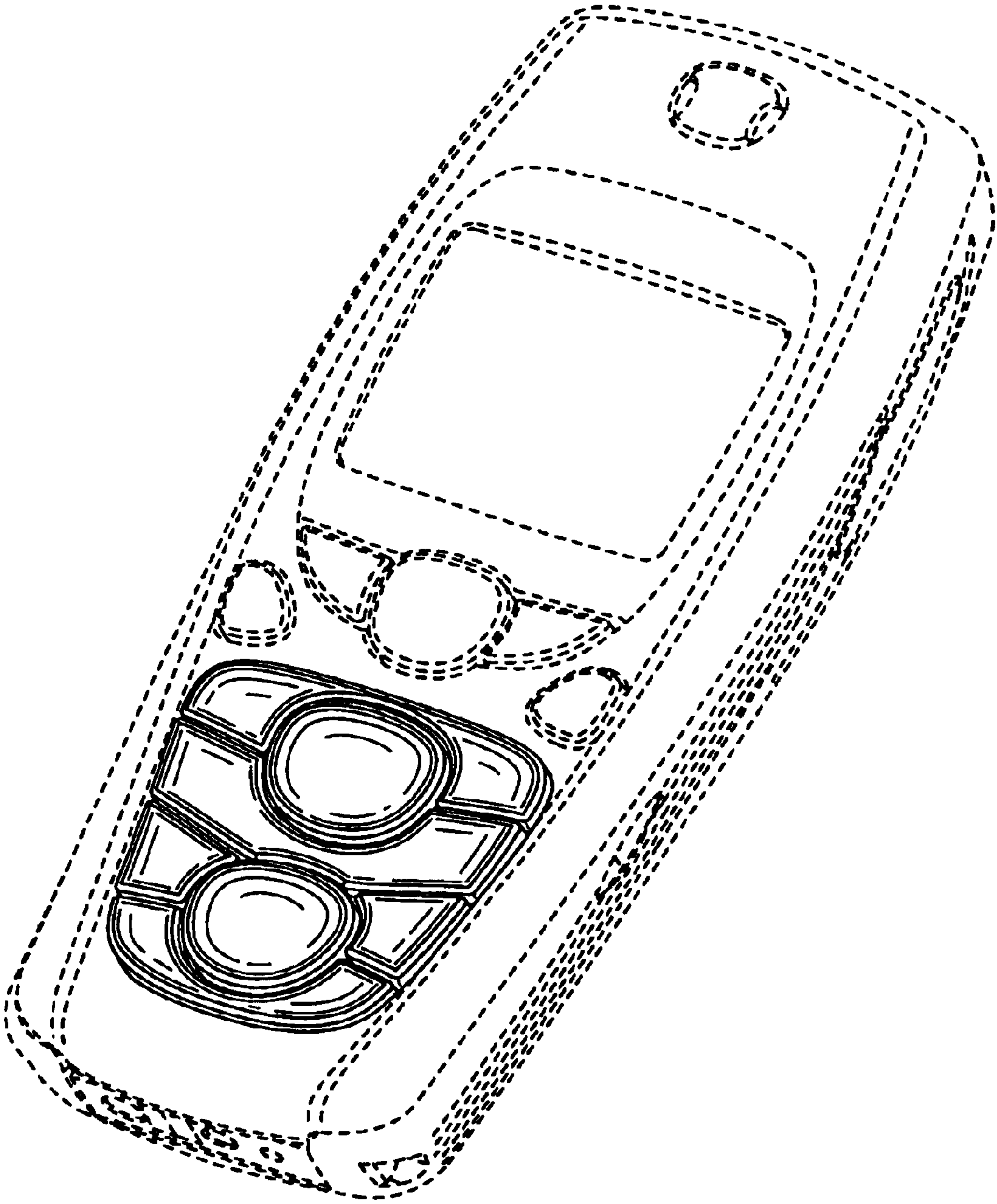


FIG. 2

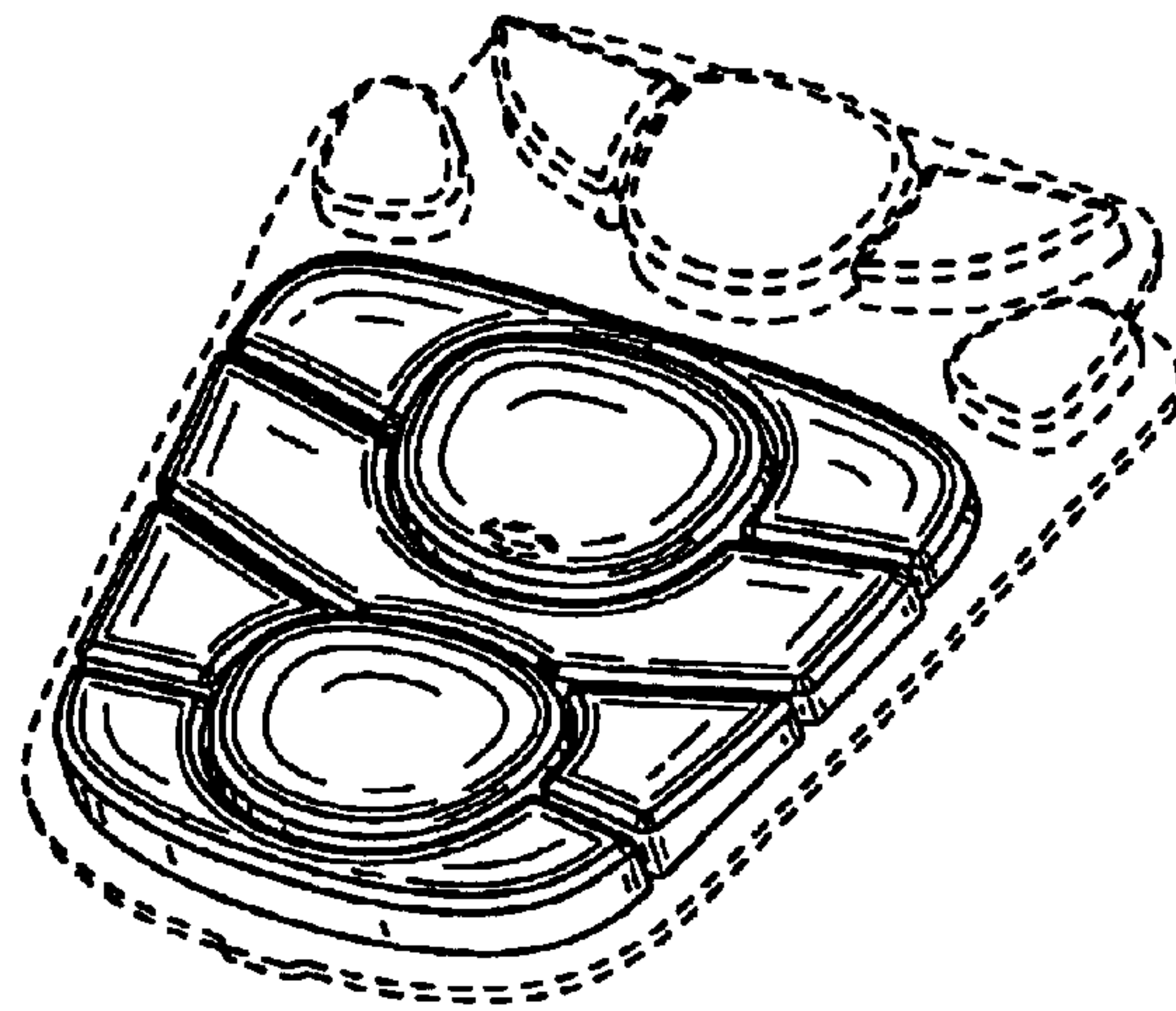


FIG. 3

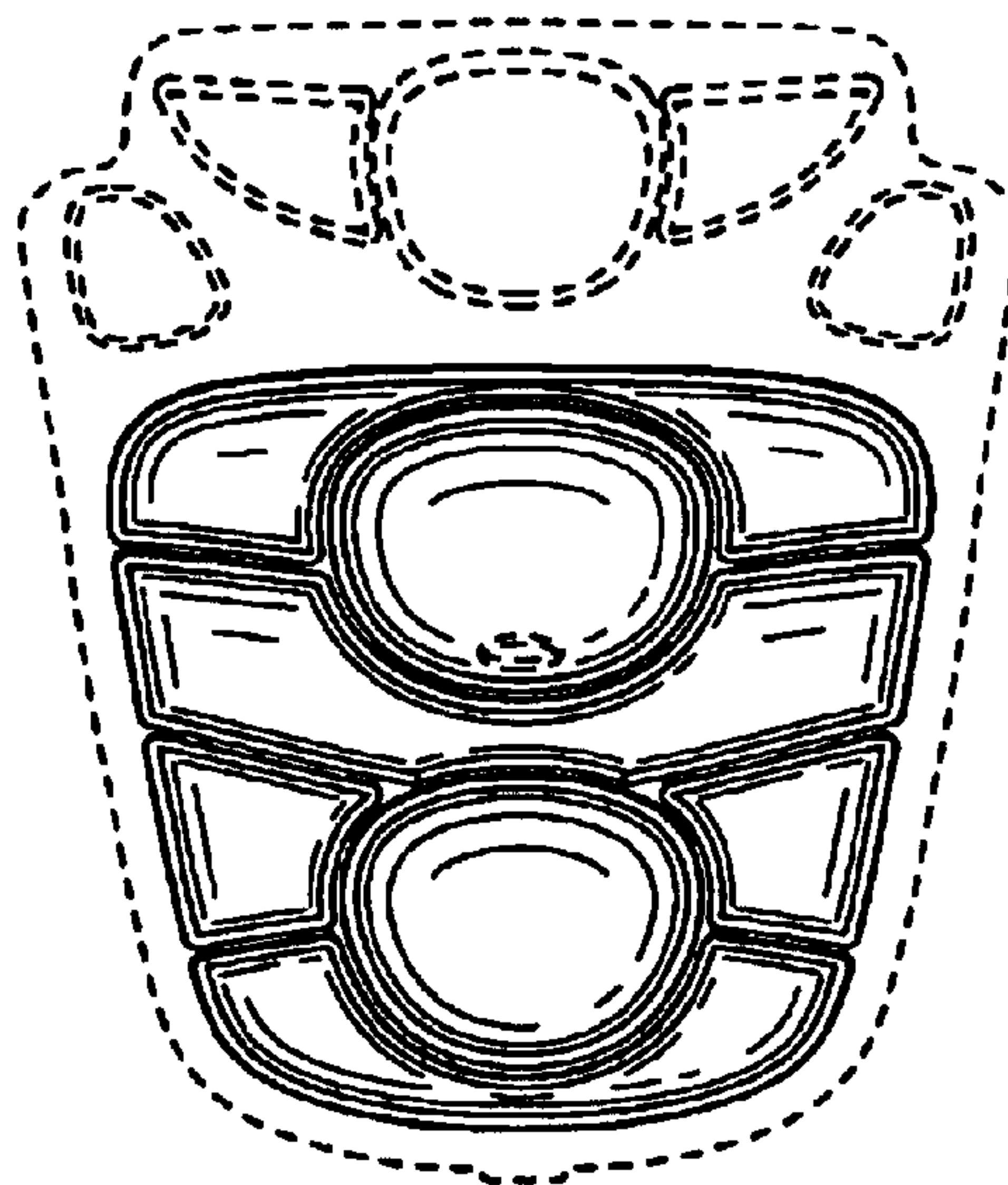


FIG. 4

UNITED STATES PATENT AND TRADEMARK OFFICE
CERTIFICATE OF CORRECTION

PATENT NO. : Des. 500,310 S
DATED : December 28, 2004
INVENTOR(S) : Panu Johansson

Page 1 of 1

It is certified that error appears in the above-identified patent and that said Letters Patent is hereby corrected as shown below:

Title page,

Item [57], **DESCRIPTION,**

"FIG. 1 is a perspective front view of a key button arrangement for a handset showing my new design;" has been replaced with -- FIG. 1 is a front view of a key button arrangement for a handset showing my new design; --

"FIG. 2 is a front view thereof;" has been replaced with -- FIG.2 is a perspective front view thereof; --

"FIG. 3 is a front view of a second embodiment of the key button arrangement for a handset of FIG. 1; and" has been replaced with -- FIG. 3 is a perspective view of a second embodiment of the key button arrangement for a handset of FIG. 1; and --

"FIG. 4 is a perspective view thereof." has been replaced with -- FIG. 4 is a front view thereof. --

Signed and Sealed this

Twenty-second Day of March, 2005

A handwritten signature in black ink on a dotted background. The signature reads "Jon W. Dudas" in a cursive style.

JON W. DUDAS

Director of the United States Patent and Trademark Office