

US00D500307S

(12) **United States Design Patent**
Ishizaki

(10) **Patent No.: US D500,307 S**
(45) **Date of Patent: ** Dec. 28, 2004**

(54) **DEVICE FOR EFFECTING CHANGES IN SOUND OF MUSICAL INSTRUMENTS**

D455,731 S * 4/2002 Mackie et al. D14/217
D477,589 S * 7/2003 Takita et al. D14/217

(75) Inventor: **Hideaki Ishizaki**, Tokyo (JP)

FOREIGN PATENT DOCUMENTS

(73) Assignee: **Pioneer Corporation**, Tokyo (JP)

JP 106 20 32 2/2000

(**) Term: **14 Years**

OTHER PUBLICATIONS

(21) Appl. No.: **29/199,823**

Product Catalogue of Pioneer Corporation issued Sep. 2000.
Product Catalogue of Pioneer Corporation issued Mar. 2003.

(22) Filed: **Feb. 20, 2004**

* cited by examiner

(30) **Foreign Application Priority Data**

Primary Examiner—Prabhakar Deshmukh
(74) *Attorney, Agent, or Firm*—Sughrue Mion, PLLC

Sep. 16, 2003 (JP) 2003-026930

(57) **CLAIM**

(51) **LOC (7) Cl.** **14-01**

The ornamental design for a device for effecting changes in sound of musical instruments, as shown and described.

(52) **U.S. Cl.** **D14/217**

(58) **Field of Search** D14/188, 217,
D14/162, 265, 169, 164, 299, 496; 381/28,
118, 119, 103; 84/625, 660, 697, 711; 379/202;
358/335

DESCRIPTION

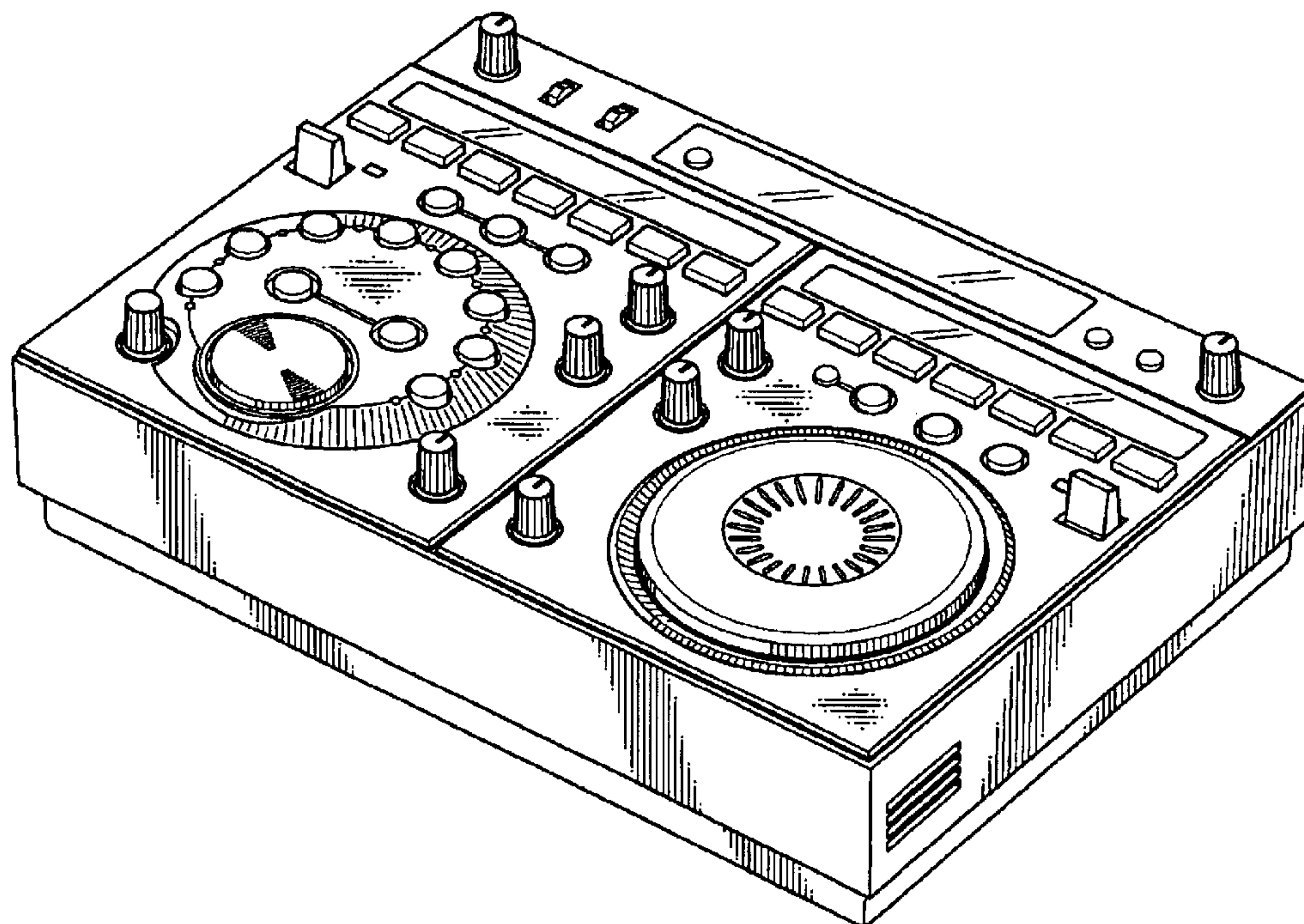
(56) **References Cited**

FIG. 1 is a perspective view of the top, front and right side of a device for effecting changes in sound of musical instruments showing my new design;
FIG. 2 is a top plan view thereof;
FIG. 3 is a bottom plan view thereof;
FIG. 4 is a left side elevational view thereof;
FIG. 5 is a right side elevational view thereof;
FIG. 6 is a rear elevational view thereof;
FIG. 7 is a front elevational view thereof; and,
FIG. 8 is a top reference plan view with the power turned on.

U.S. PATENT DOCUMENTS

D204,885 S * 5/1966 Cody D14/265
D317,918 S * 7/1991 Ito et al. D14/217
5,257,317 A * 10/1993 Stavrou 381/119
5,444,789 A * 8/1995 Zampini et al. 381/119
5,608,807 A * 3/1997 Brunelle 381/119
D408,820 S * 4/1999 Ito et al. D14/217
D435,250 S * 12/2000 Mackie et al. D14/217
D453,327 S * 2/2002 Takita et al. D14/217

1 Claim, 6 Drawing Sheets



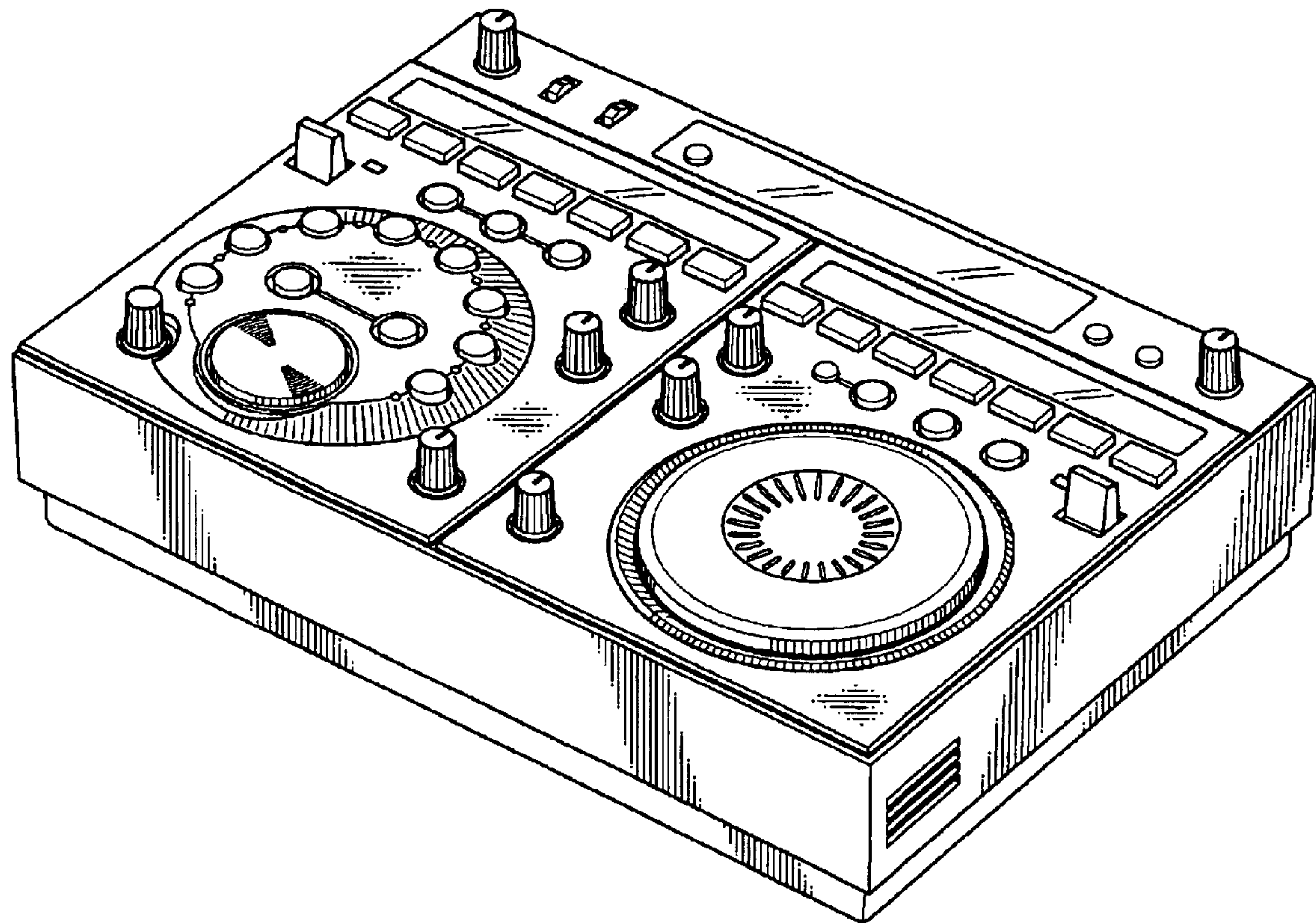


FIG. 1

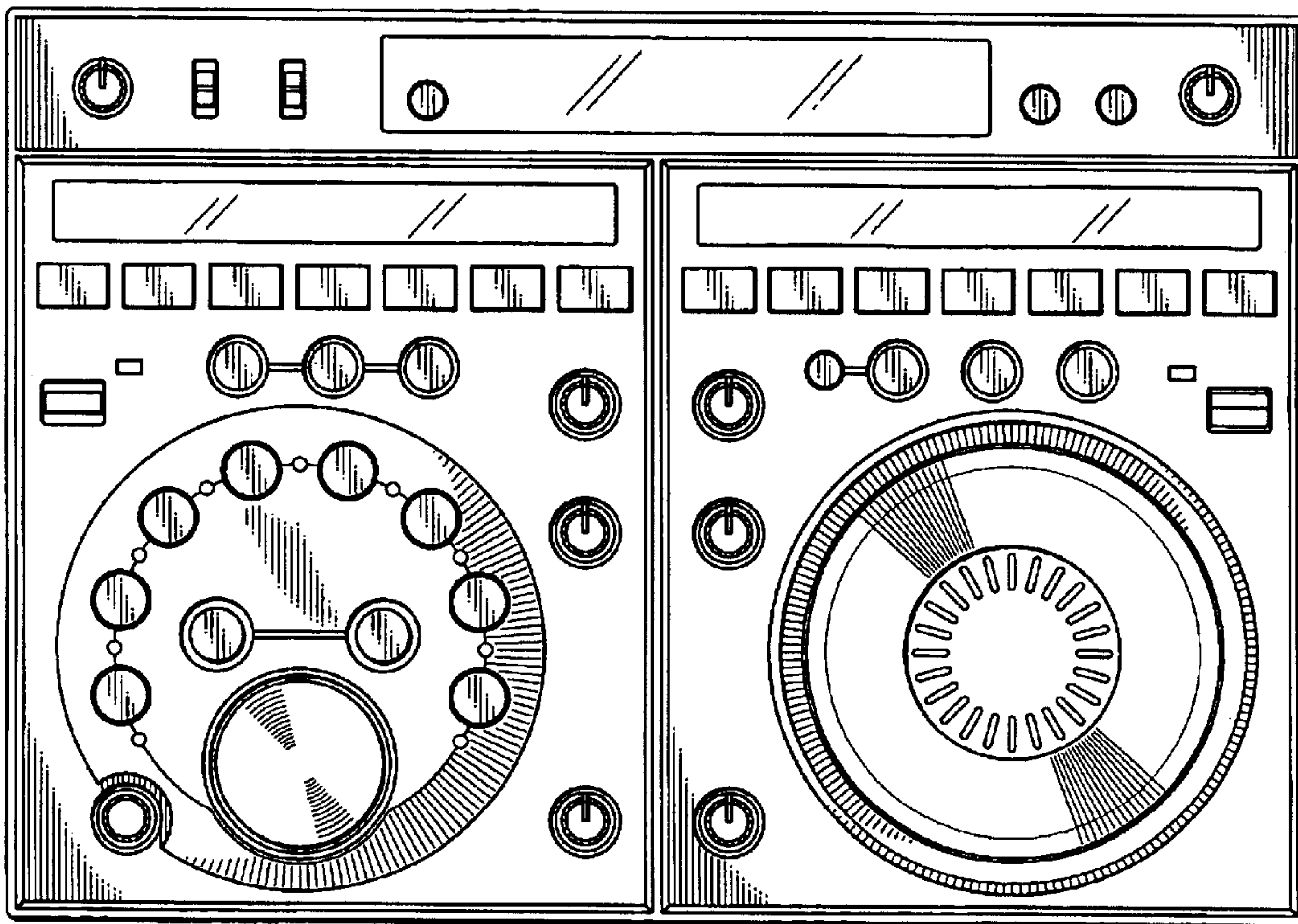


FIG. 2

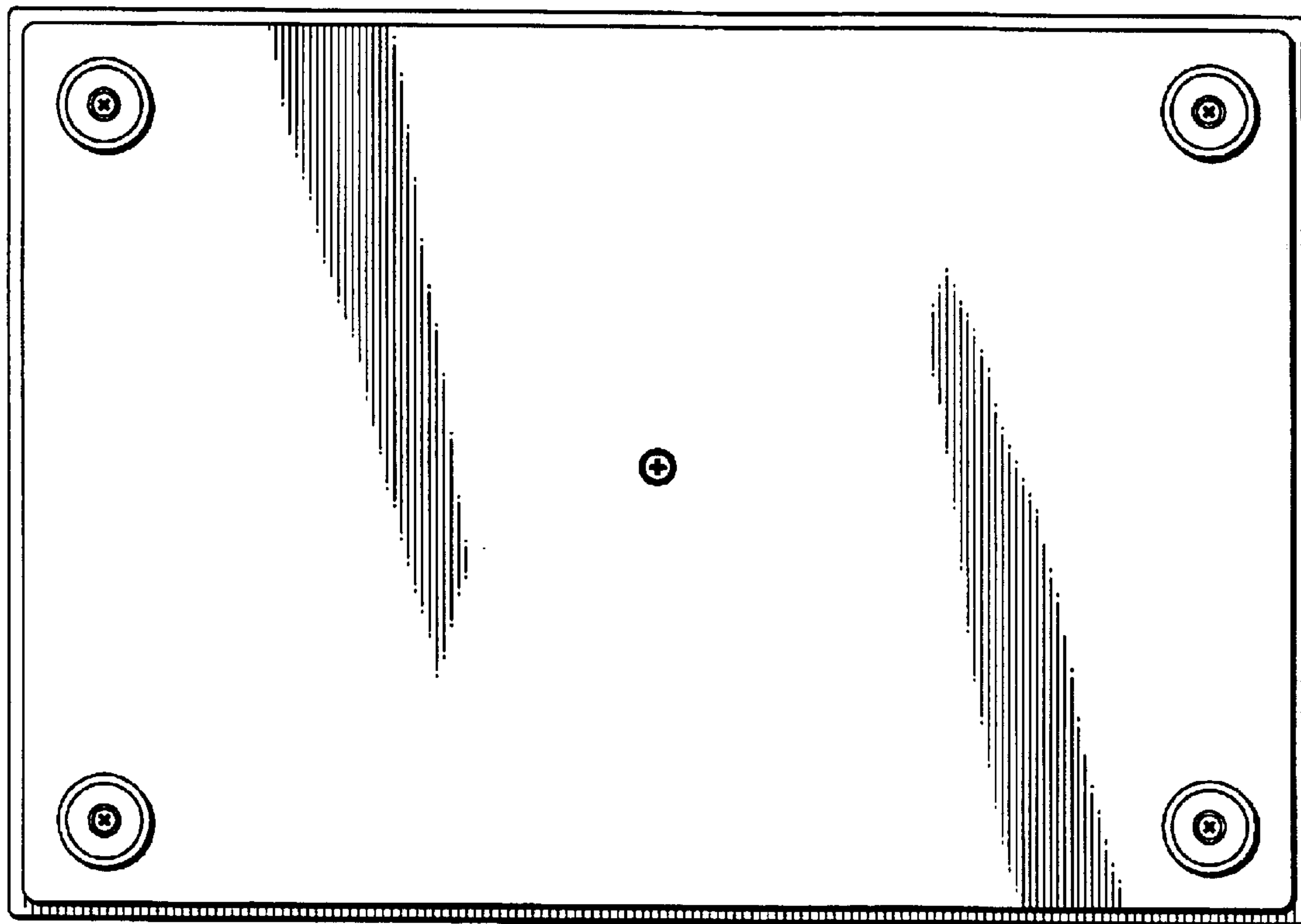


FIG. 3

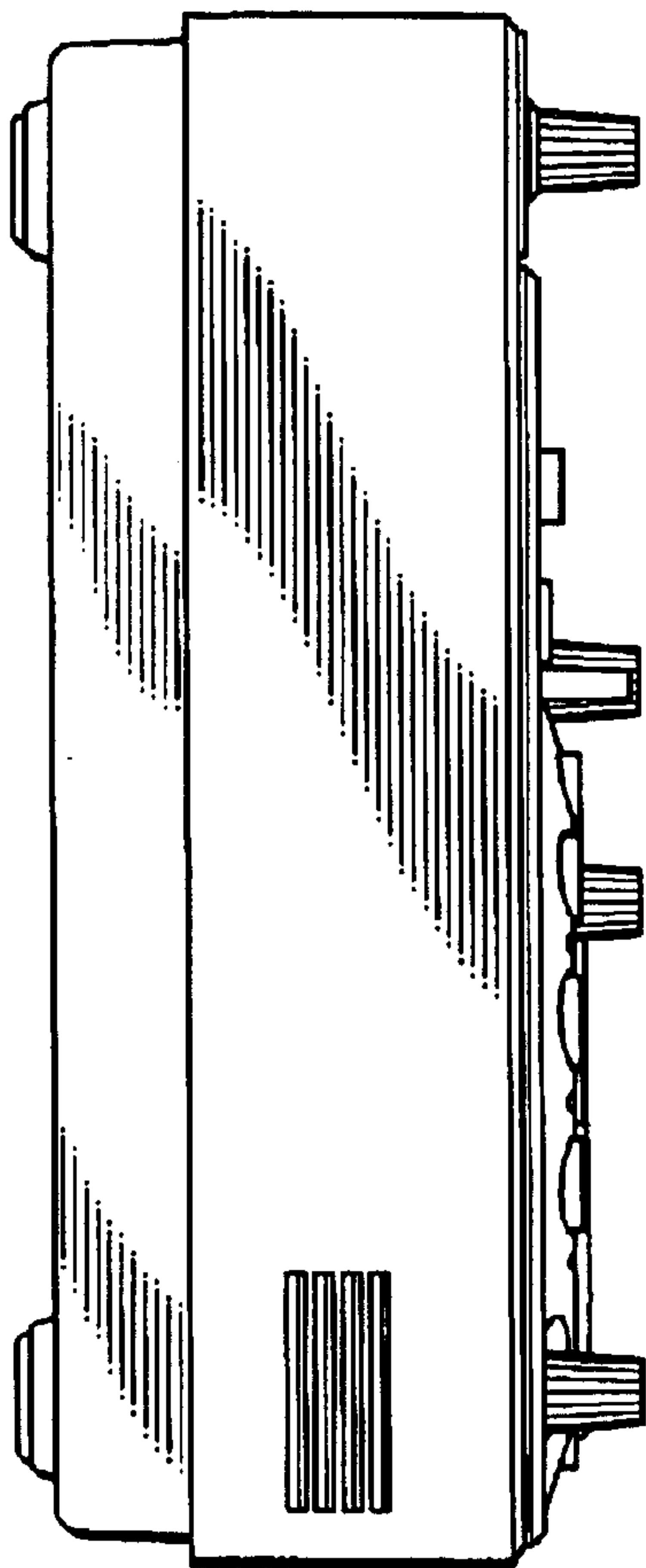


FIG. 4

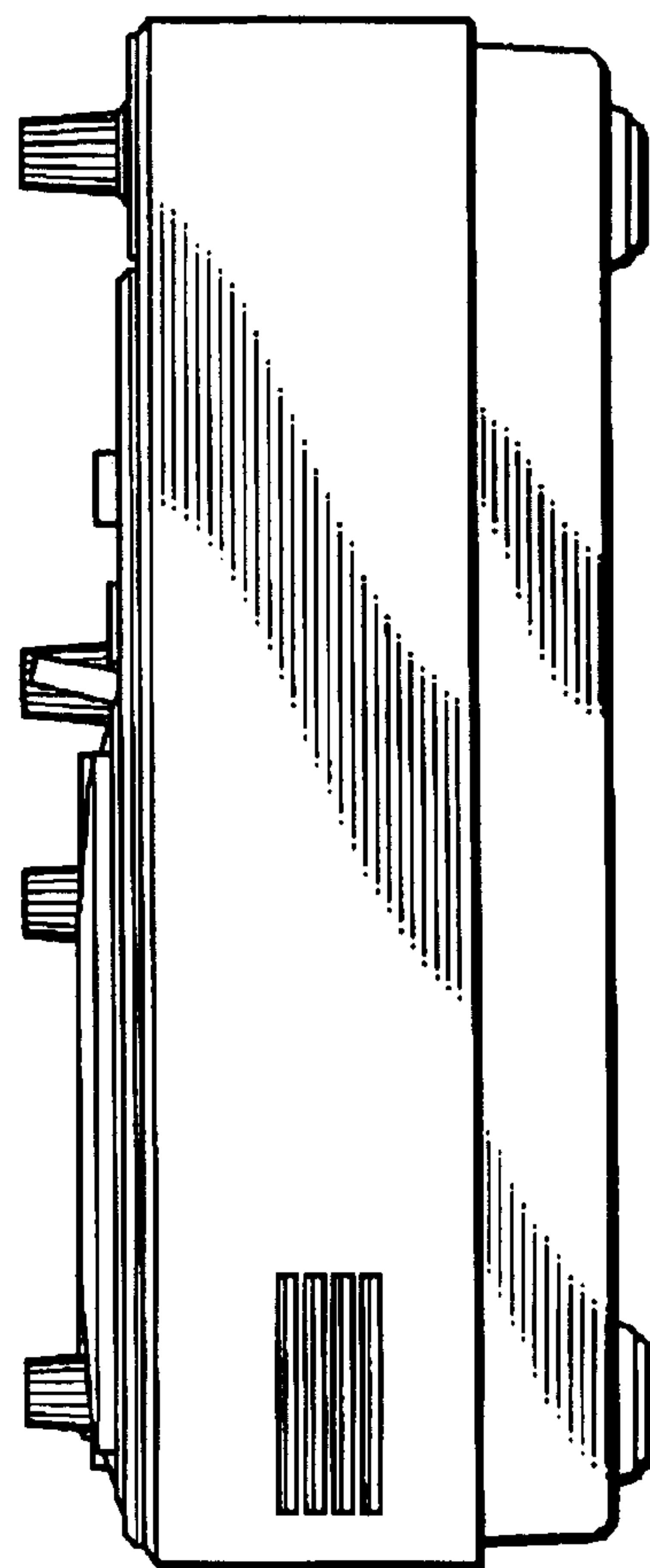


FIG. 5

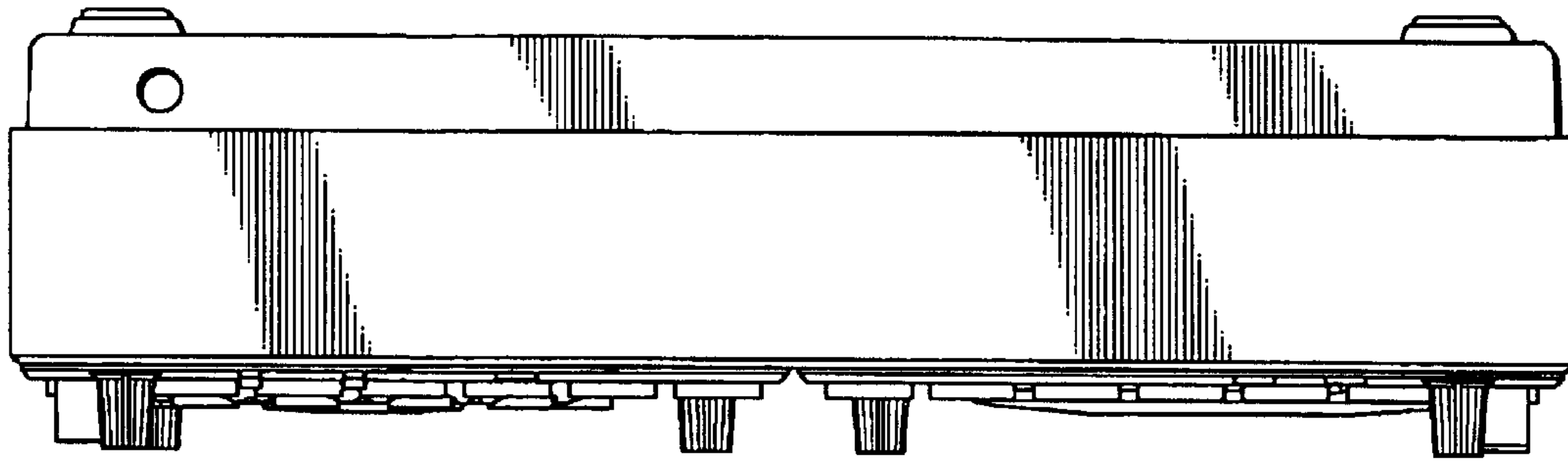


FIG. 6

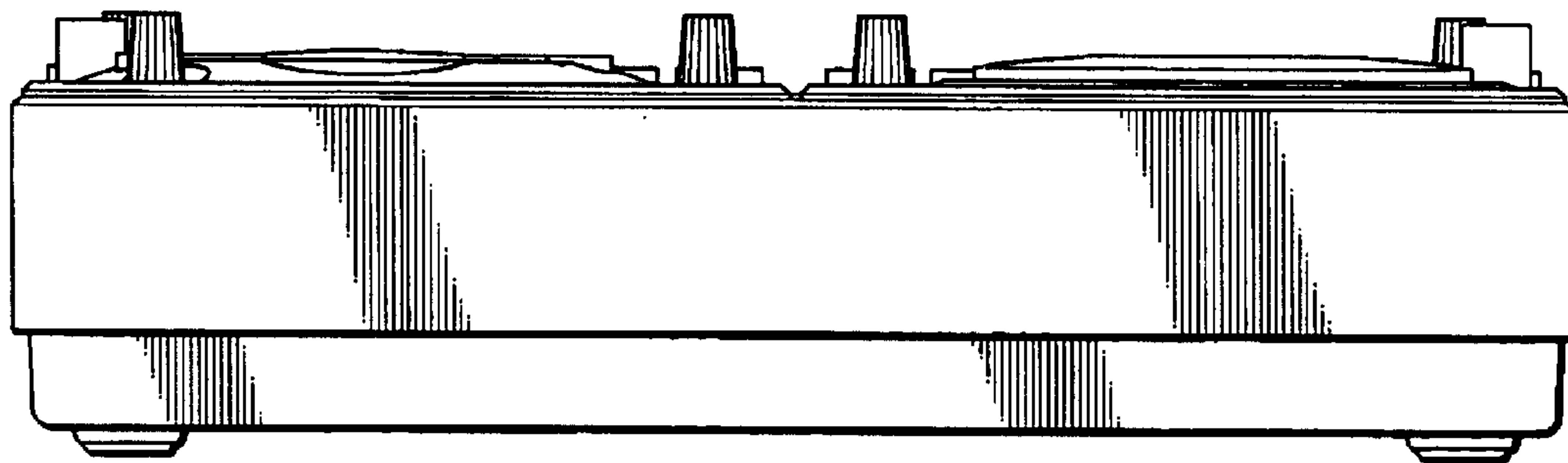


FIG. 7

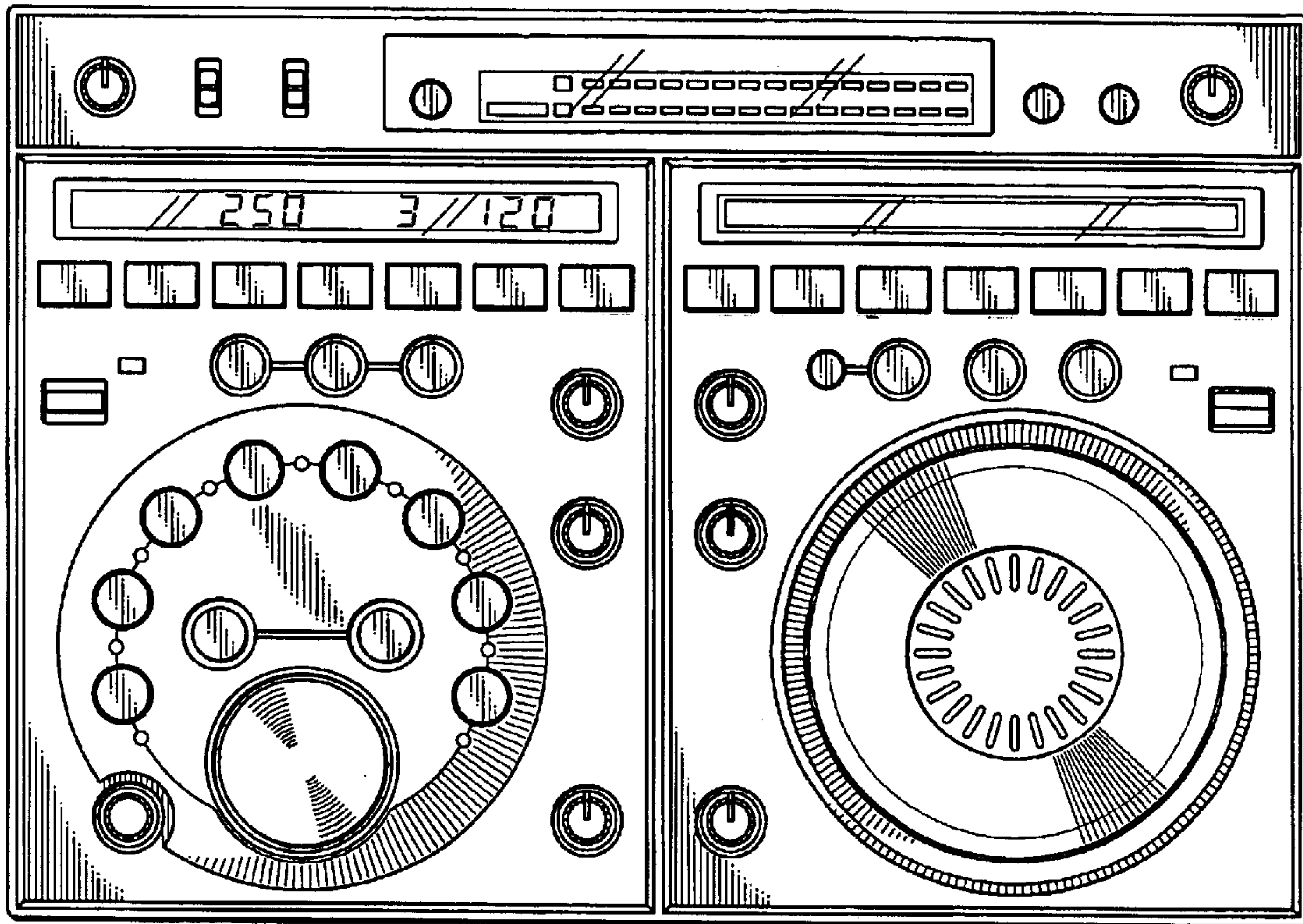


FIG. 8