

US00D500300S

(12) **United States Design Patent**
Sakuma

(10) **Patent No.: US D500,300 S**

(45) **Date of Patent: ** Dec. 28, 2004**

(54) **DIGITAL RECORDER**

(75) Inventor: **Shigekazu Sakuma**, Tokyo (JP)

(73) Assignee: **Mitsubishi Denki Kabushiki Kaisha**,
Tokyo (JP)

(**) Term: **14 Years**

(21) Appl. No.: **29/186,724**

(22) Filed: **Jul. 23, 2003**

(30) **Foreign Application Priority Data**

May 14, 2003 (JP) 2003-013319

(51) **LOC (7) Cl.** **14-01**

(52) **U.S. Cl.** **D14/167**

(58) **Field of Search** D14/135-136,
D14/156-157, 160-165, 167-168, 192-198,
217; 455/347-351; 369/75.1, 75.2, 77.1,
77.2

(56) **References Cited**

U.S. PATENT DOCUMENTS

D299,920 S * 2/1989 Miyashita D14/135
D420,350 S * 2/2000 Matsuzaka D14/135

D448,741 S * 10/2001 Makino et al. D14/136
D459,334 S * 6/2002 Tsuge D14/156
D476,305 S * 6/2003 Orihara et al. D14/168

* cited by examiner

Primary Examiner—Nanda Bondade

(74) *Attorney, Agent, or Firm*—Oblon, Spivak, McClelland,
Maier & Neustadt, P.C.

(57) **CLAIM**

The ornamental design for a digital recorder, as shown and
described.

DESCRIPTION

FIG. 1 is a front, top and left side perspective view of a
digital recorder, showing our new design;
FIG. 2 is a front elevational view thereof;
FIG. 3 is a rear elevational view thereof;
FIG. 4 is a top plan view thereof;
FIG. 5 is a bottom plan view thereof;
FIG. 6 is a right side elevational view thereof;
FIG. 7 is a left side elevational view thereof; and,
FIG. 8 is a cross-sectional view thereof, taken along line
8—8 of FIG. 2, with the internal system omitted.

1 Claim, 3 Drawing Sheets

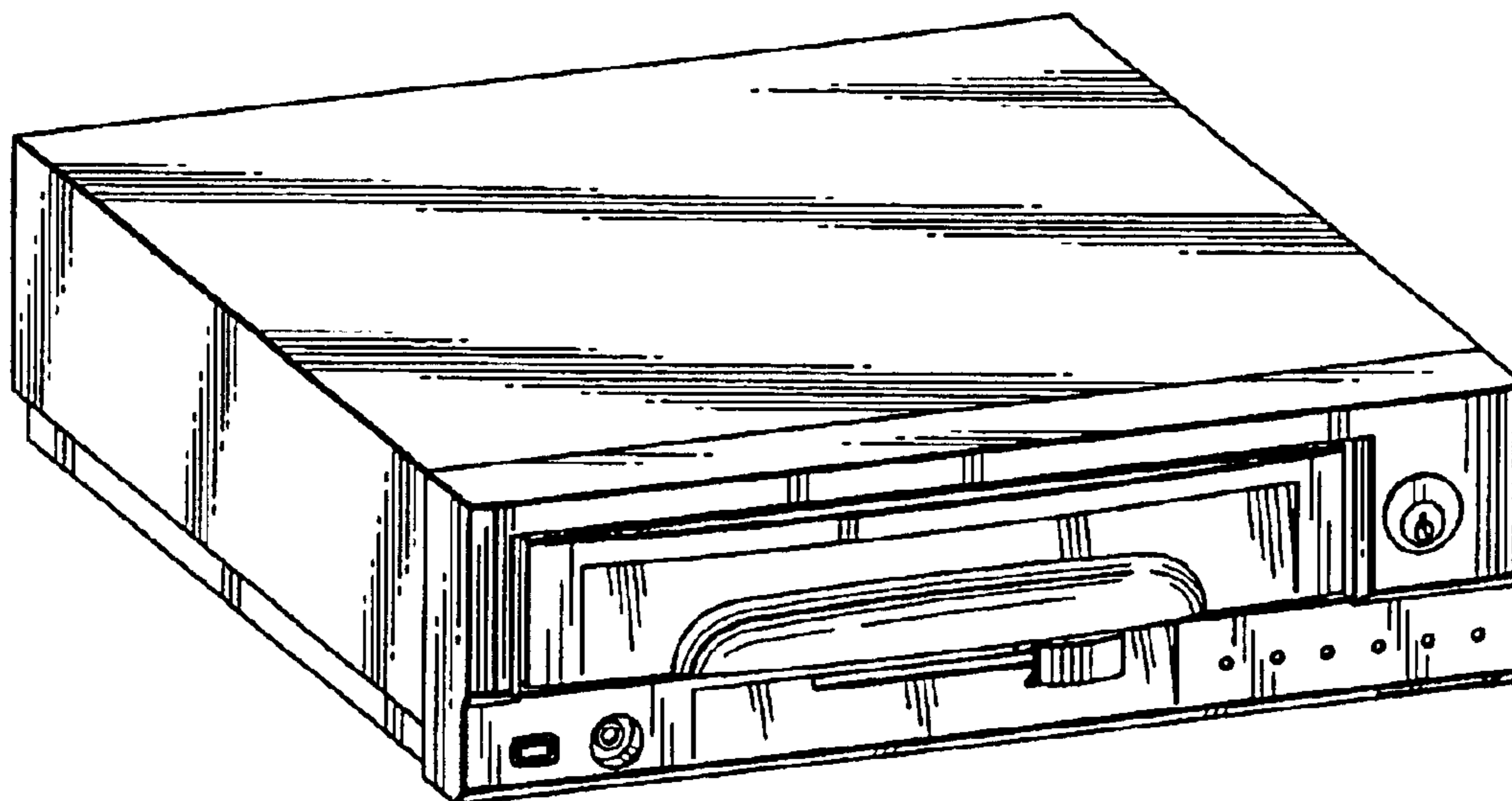


FIG.1

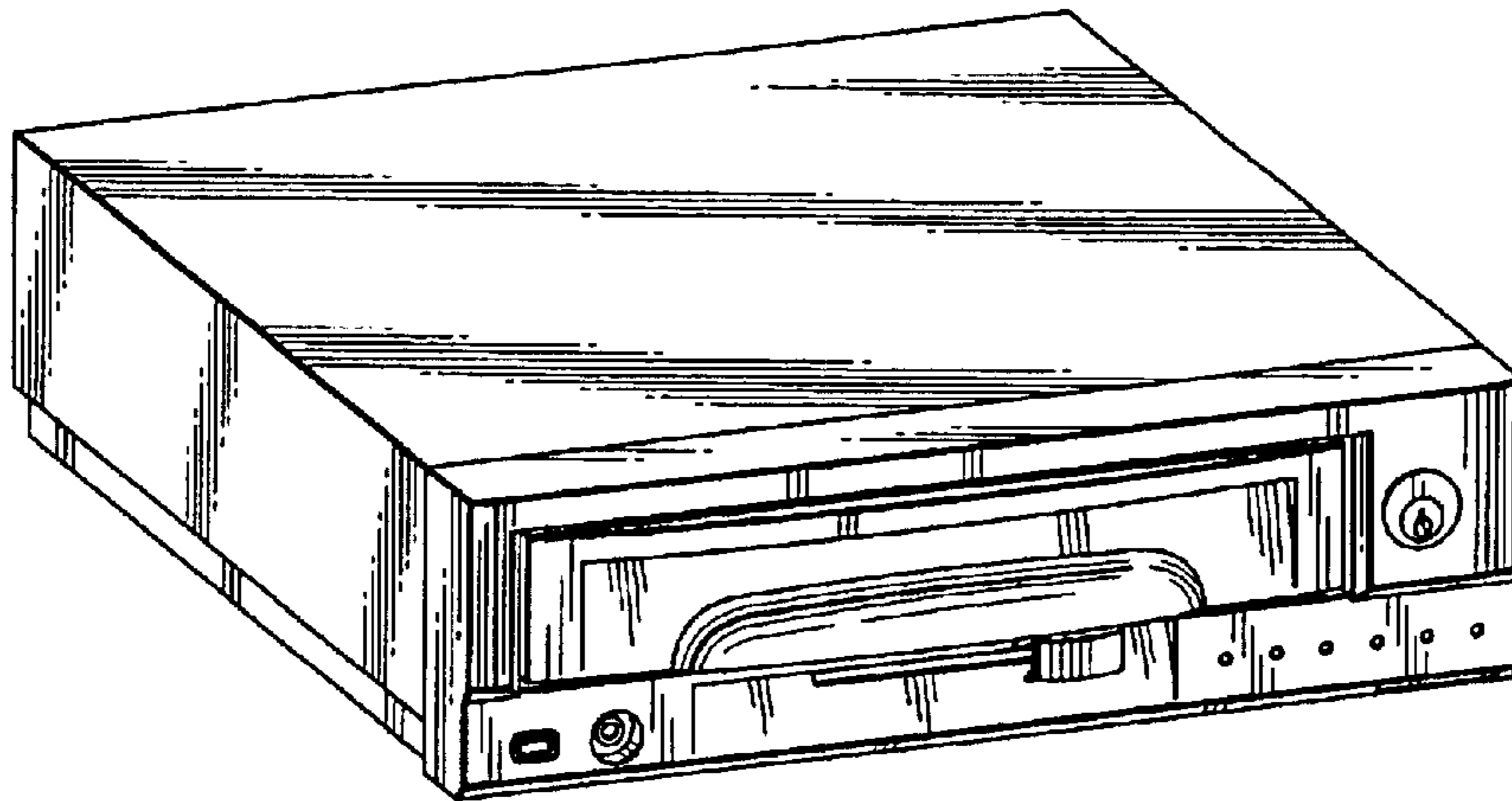


FIG.2

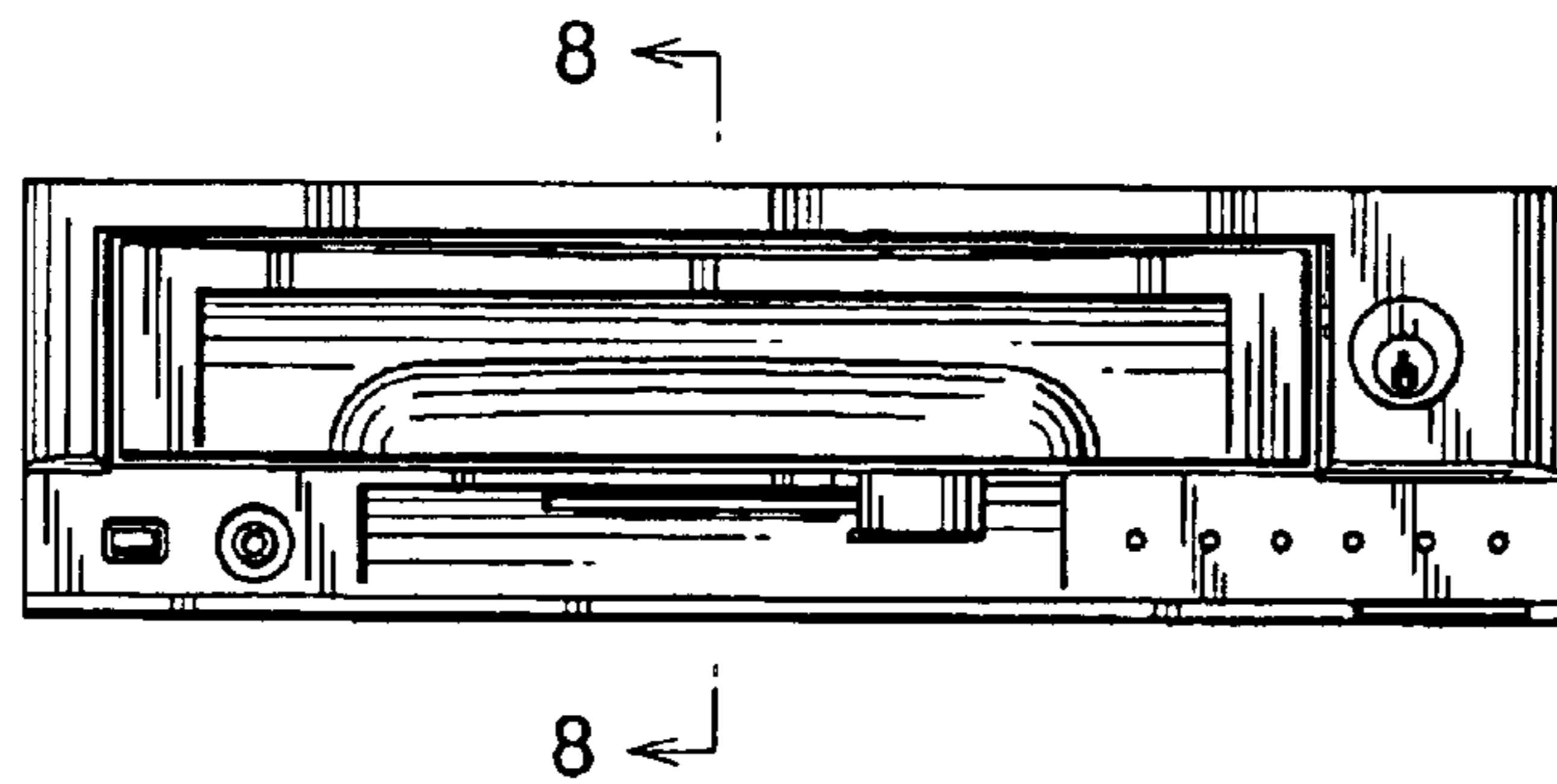


FIG.3

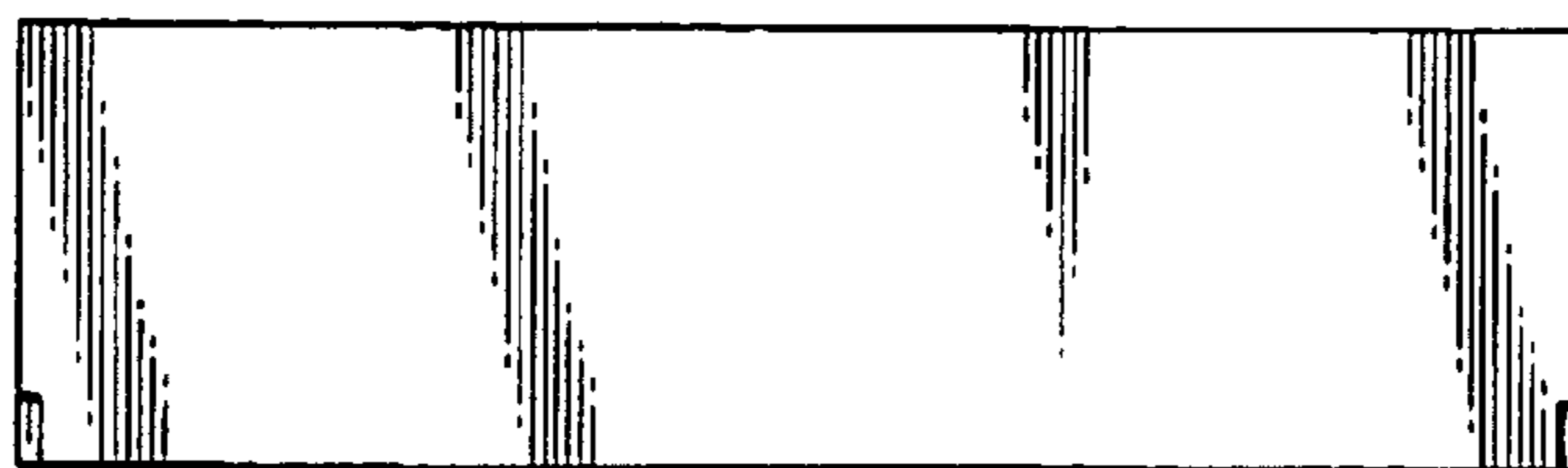


FIG.4

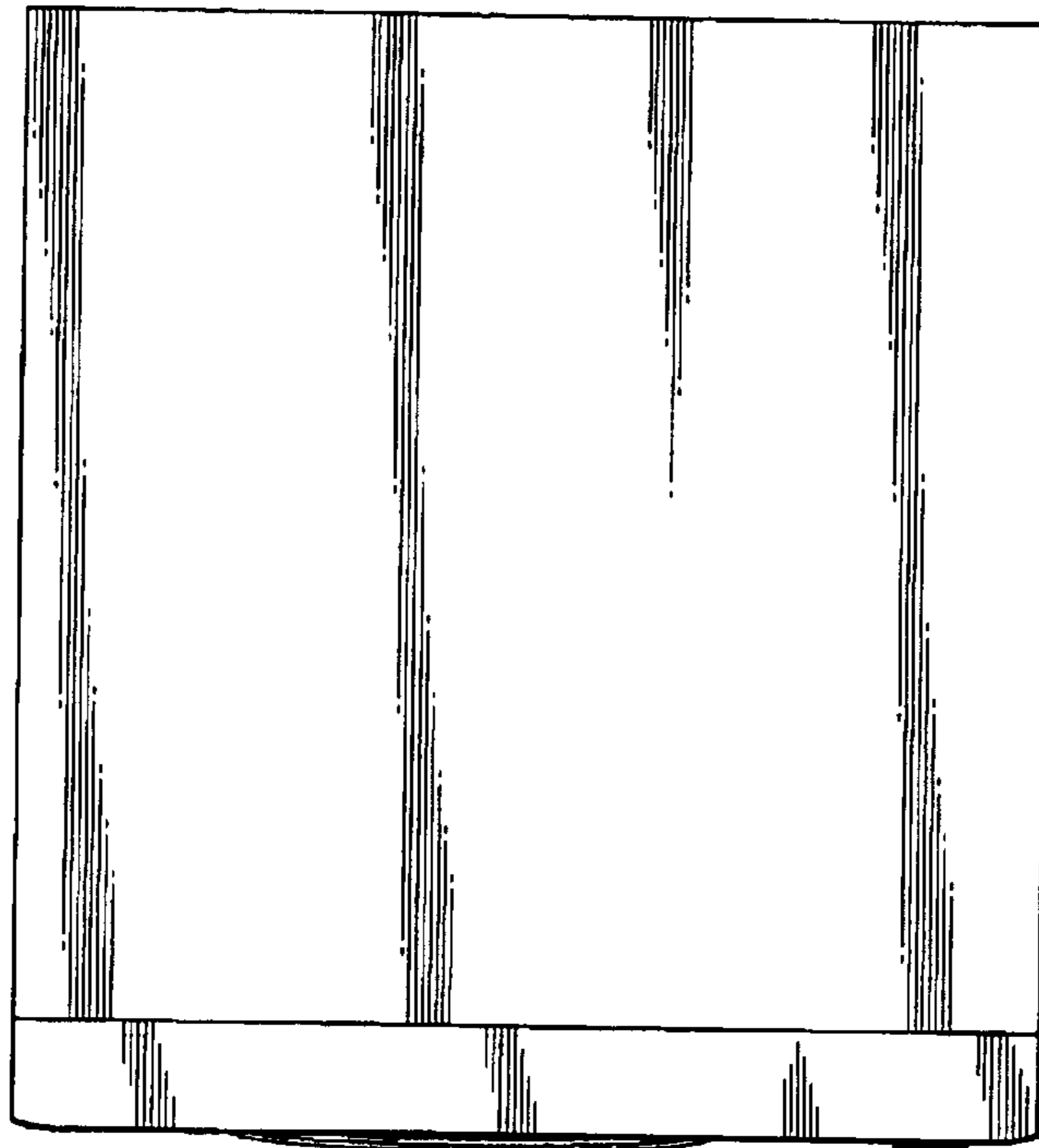


FIG.5

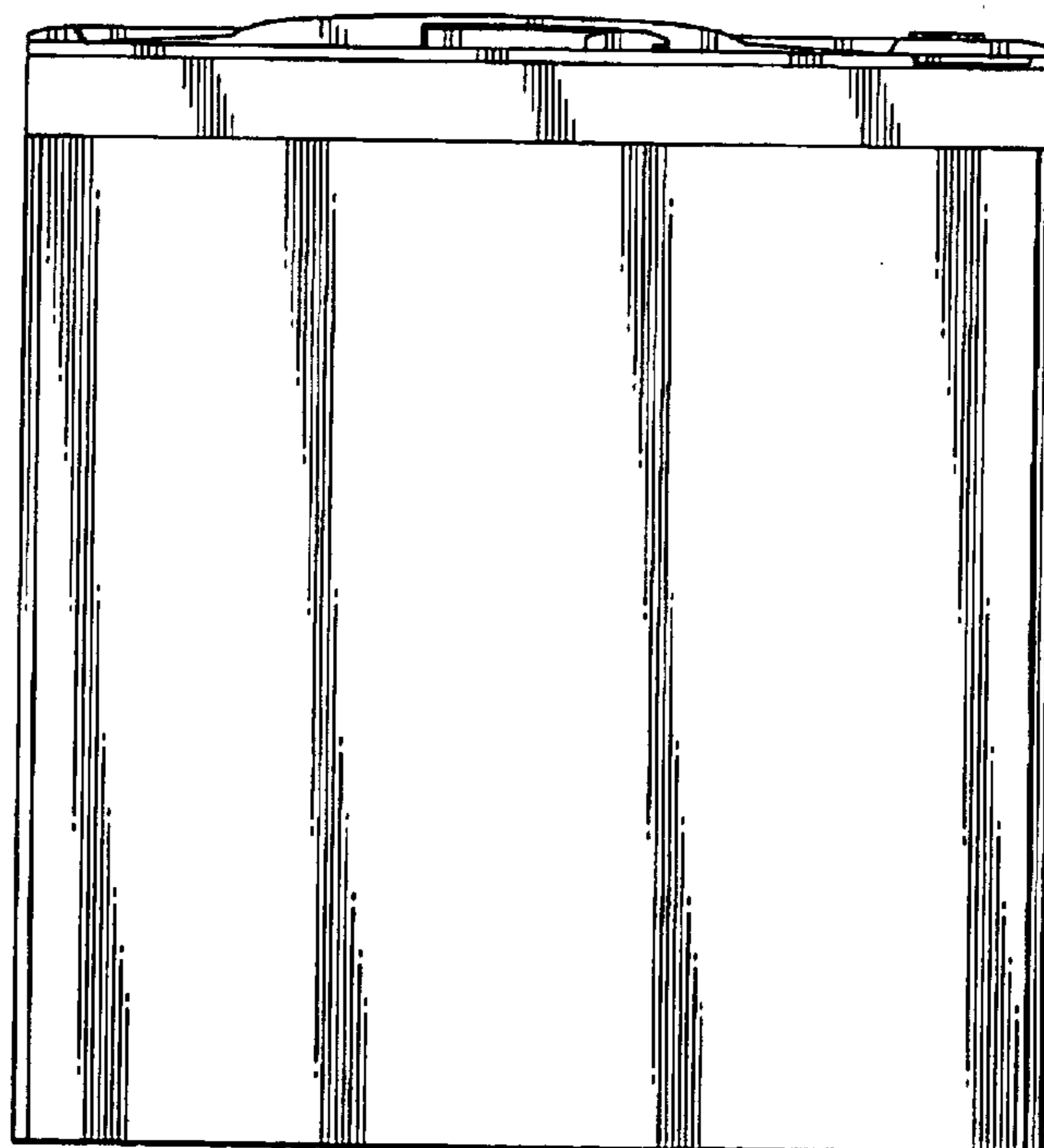


FIG.6

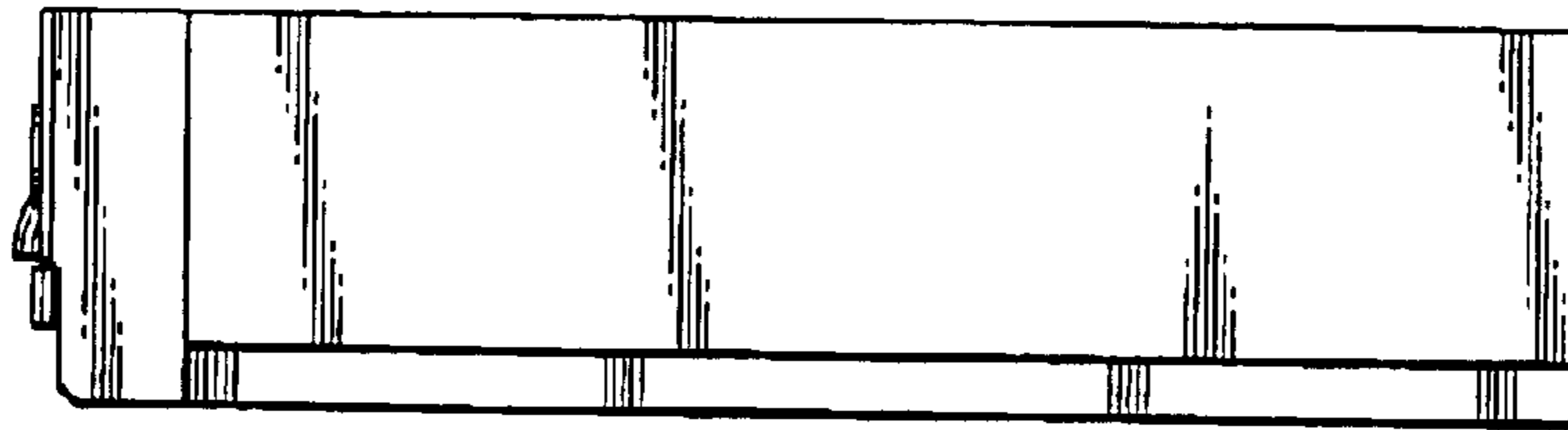


FIG.7

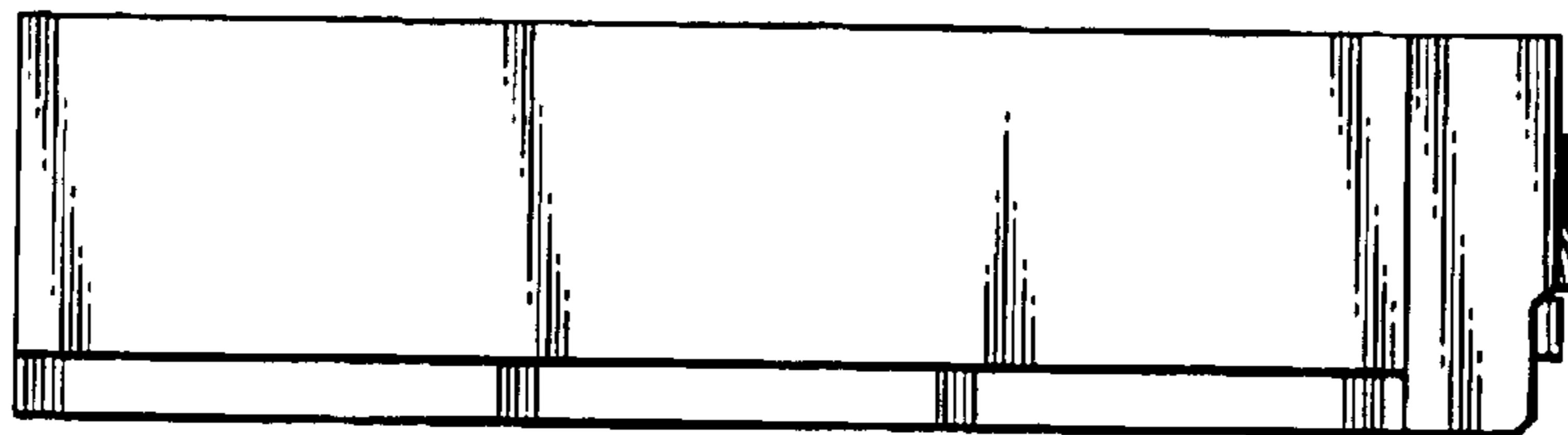


FIG.8

