

US00D500297S

(12) **United States Design Patent**
Chan

(10) **Patent No.:** **US D500,297 S**

(45) **Date of Patent:** **** Dec. 28, 2004**

(54) **PHONE**

(75) **Inventor:** **Raymond Chan, Hong Kong SAR (CN)**

(73) **Assignee:** **IDT International Ltd., Hamilton (BM)**

(**) **Term:** **14 Years**

(21) **Appl. No.:** **29/187,779**

(22) **Filed:** **Aug. 7, 2003**

(30) **Foreign Application Priority Data**

Jul. 17, 2003 (HK) 0311060

(51) **LOC (7) Cl.** **14-03**

(52) **U.S. Cl.** **D14/148; D14/143**

(58) **Field of Search** D14/225, 148, D14/147, 149-151, 143, 140-142, 144, 240, 241, 211-215, 251-253, 243, 170, 171, 451, 218, 159; 379/426, 449, 419, 420.01-420.04, 428.01-428.04, 440, 434-436; 455/550.1-90.3; D21/517, 405; D10/15

(56) **References Cited**

U.S. PATENT DOCUMENTS

- D95,961 S * 6/1935 Horwitt D14/189
- D209,974 S * 1/1968 Reichenstein D14/170
- D239,866 S * 5/1976 Imai D14/170
- D241,626 S * 9/1976 Durco D10/15
- D251,993 S * 5/1979 Birdsall D21/405
- D255,101 S * 5/1980 Booty D10/15
- D272,064 S * 1/1984 Coons et al. D14/148
- D274,191 S * 6/1984 Aoijs D14/171
- D300,027 S * 2/1989 Brunish D14/143

- D305,659 S * 1/1990 Fuke et al. D14/171
- D310,080 S * 8/1990 Sato D14/171
- D311,541 S * 10/1990 Carre D14/240
- D313,021 S * 12/1990 Ehrmann D14/196
- D317,766 S * 6/1991 Ikeya et al. D14/167
- D332,291 S * 1/1993 Thomson et al. D21/517
- D345,357 S * 3/1994 Kim D14/150
- D348,062 S * 6/1994 Iseli et al. D14/149
- D369,163 S * 4/1996 Leung et al. D14/150
- D376,600 S * 12/1996 Vallillee et al. D14/240
- D458,911 S * 6/2002 Kataoka D14/129

FOREIGN PATENT DOCUMENTS

- WO DM/059410 * 1/2002
- WO DM/061854 * 10/2002

* cited by examiner

Primary Examiner—Jeffrey Asch

(74) *Attorney, Agent, or Firm*—Alix, Yale & Ristas, LLP

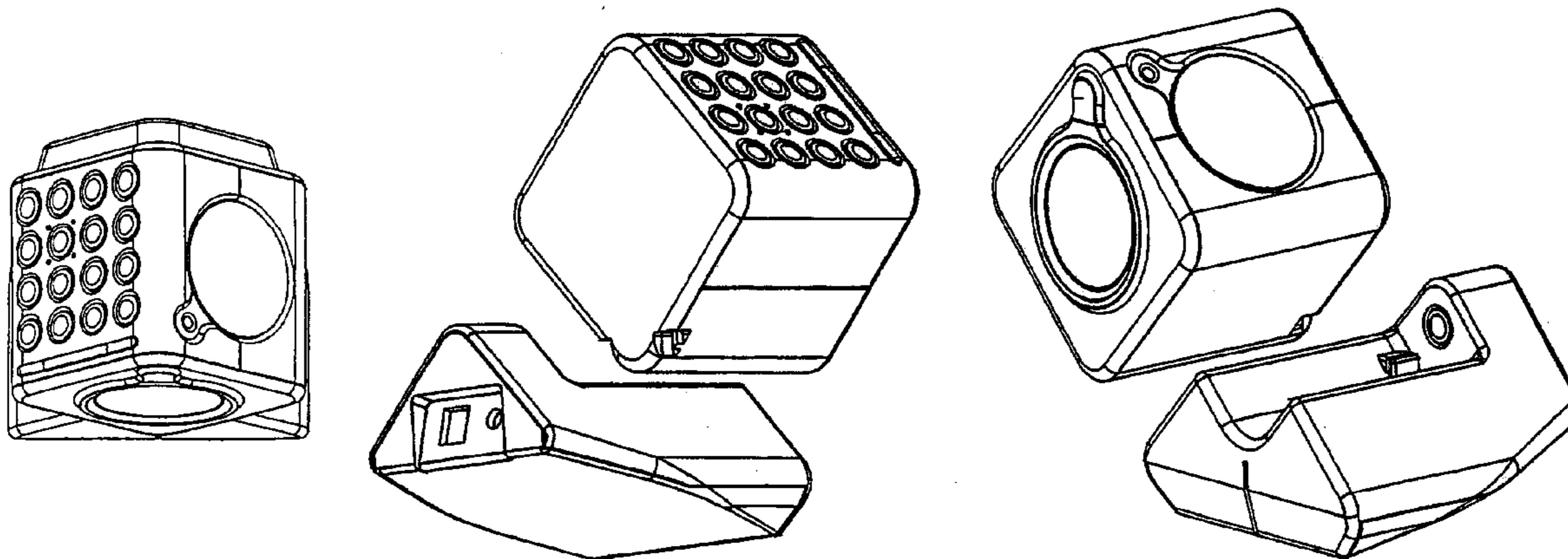
(57) **CLAIM**

The ornamental design for a phone, as shown and described.

DESCRIPTION

FIG. 1 is a front elevational view of a phone showing my new design;
 FIG. 2 is a rear elevational view thereof;
 FIG. 3 is a left side elevational view thereof;
 FIG. 4 is a right side elevational view thereof;
 FIG. 5 is a top plan view thereof;
 FIG. 6 is a bottom plan view thereof;
 FIG. 7 is a front perspective view having an upper part separated from a lower part thereof; and,
 FIG. 8 is a rear perspective view having the upper part separated from the lower part thereof.

1 Claim, 2 Drawing Sheets



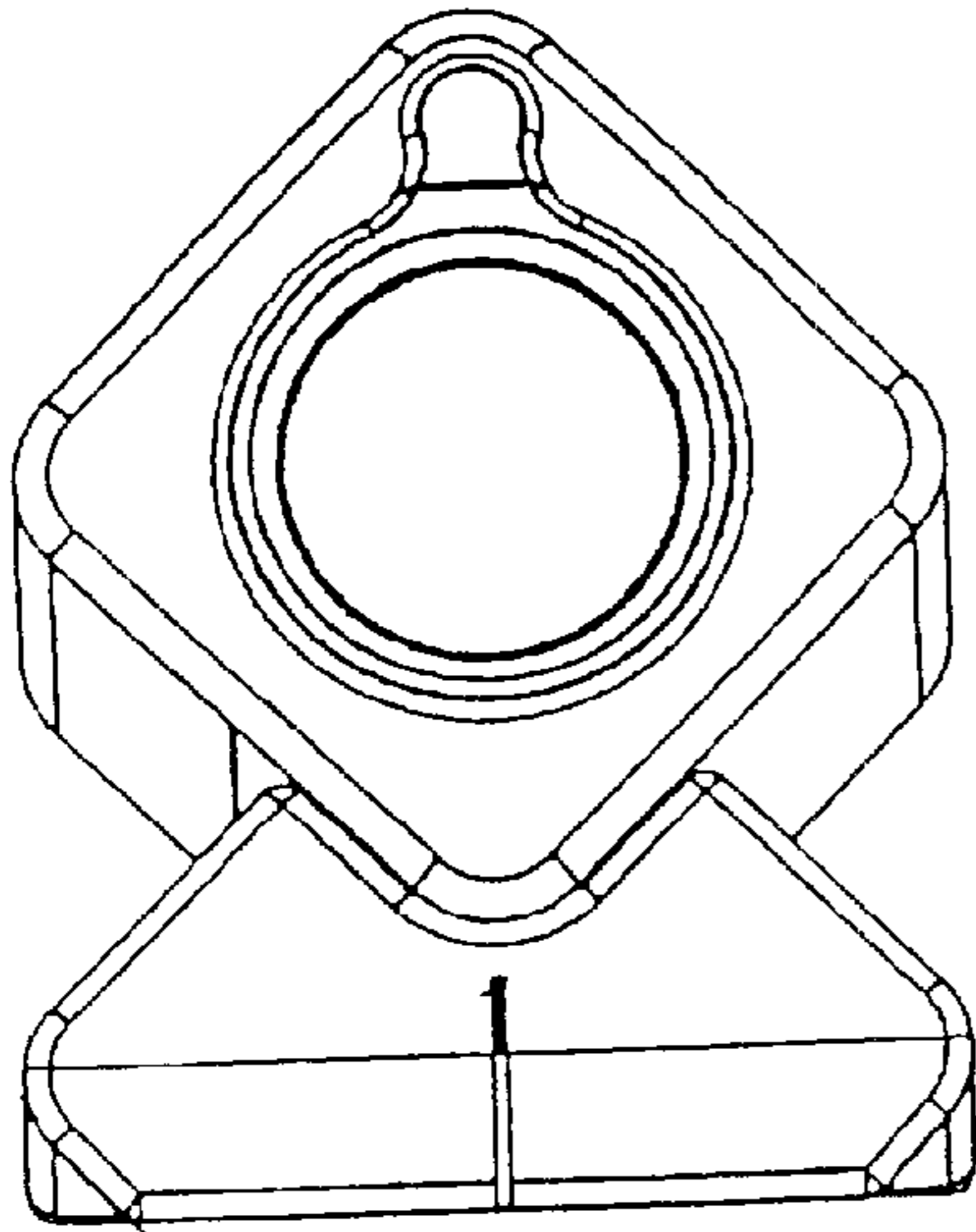


FIG. 1

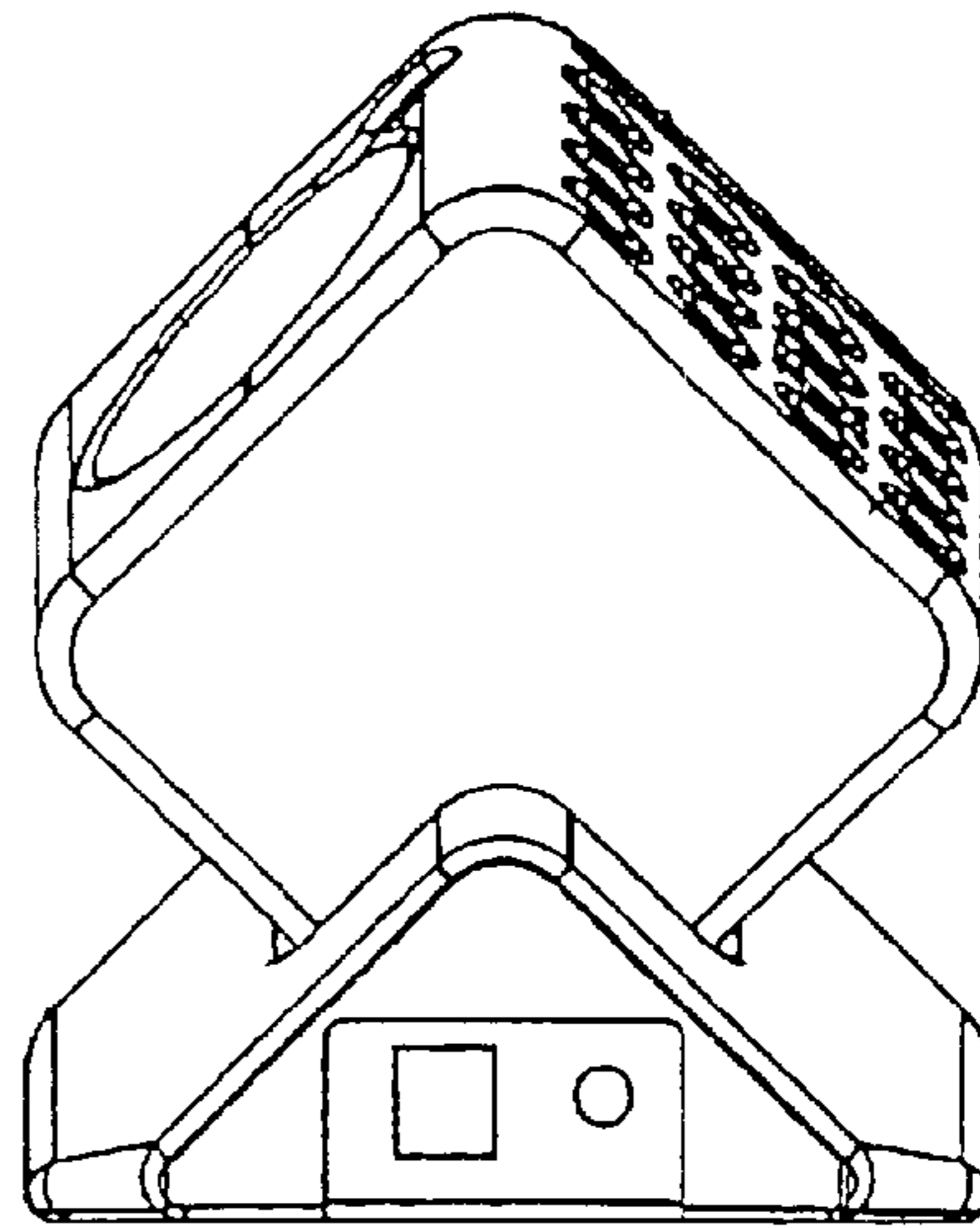


FIG. 2

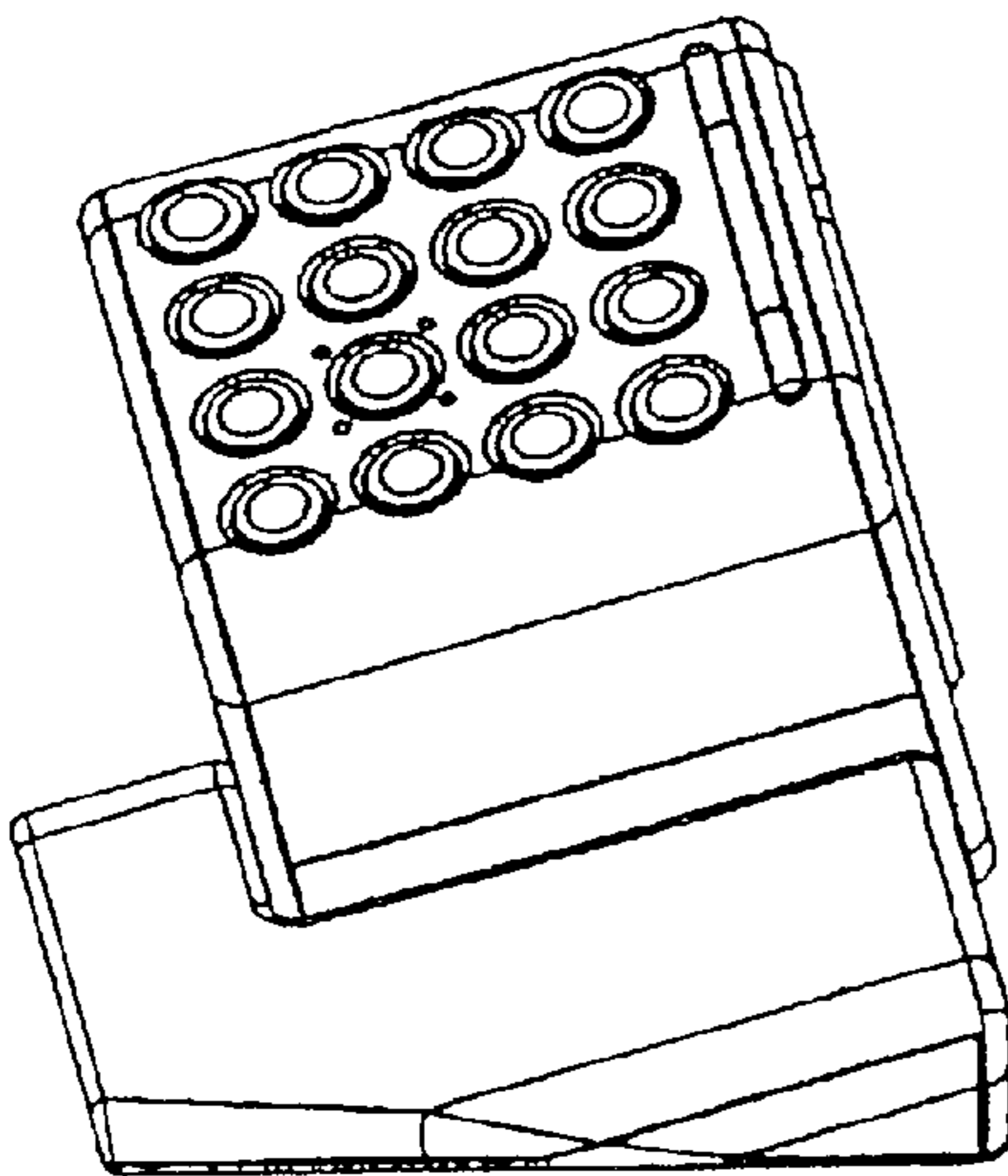


FIG. 3

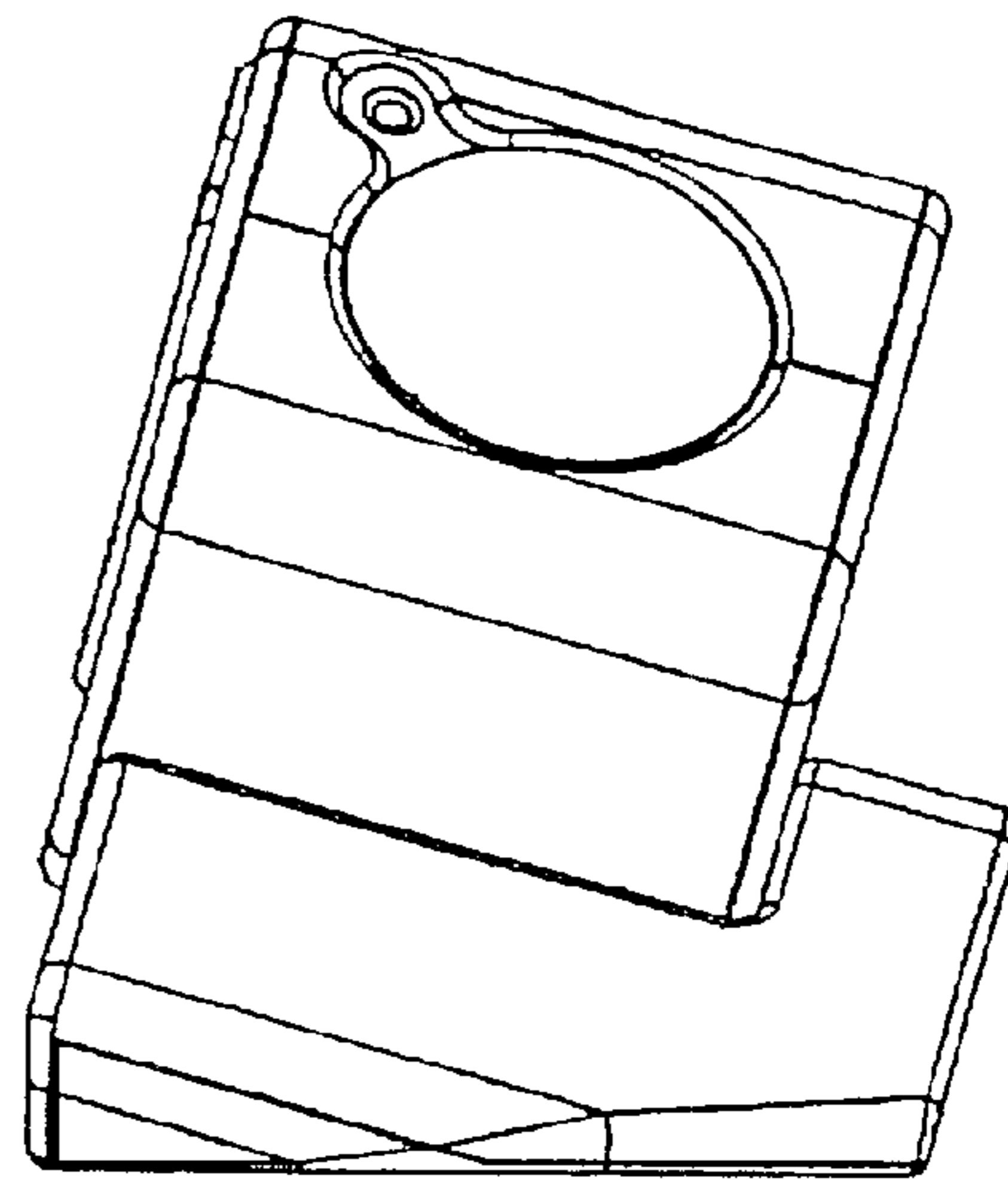


FIG. 4

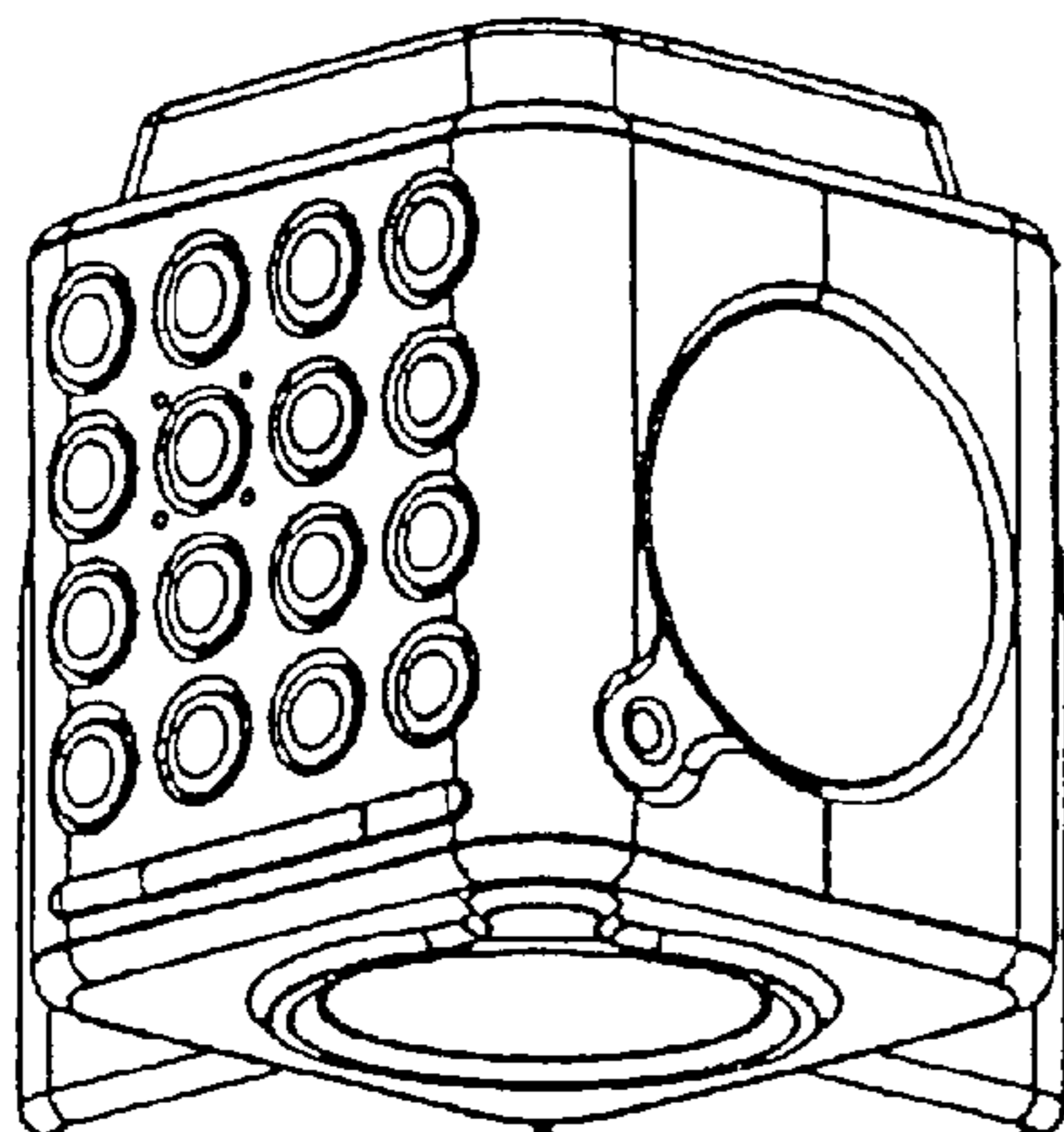


FIG. 5

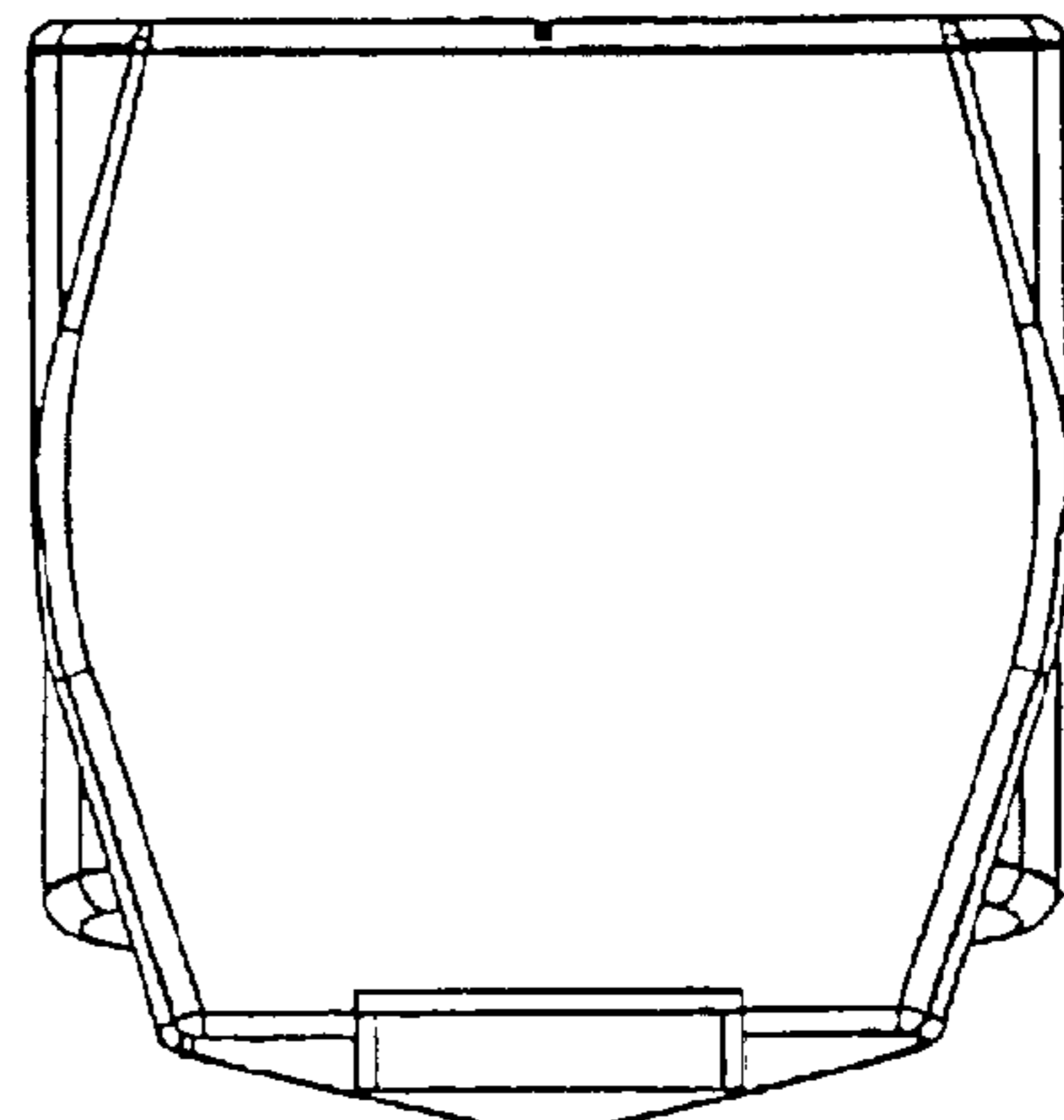


FIG. 6

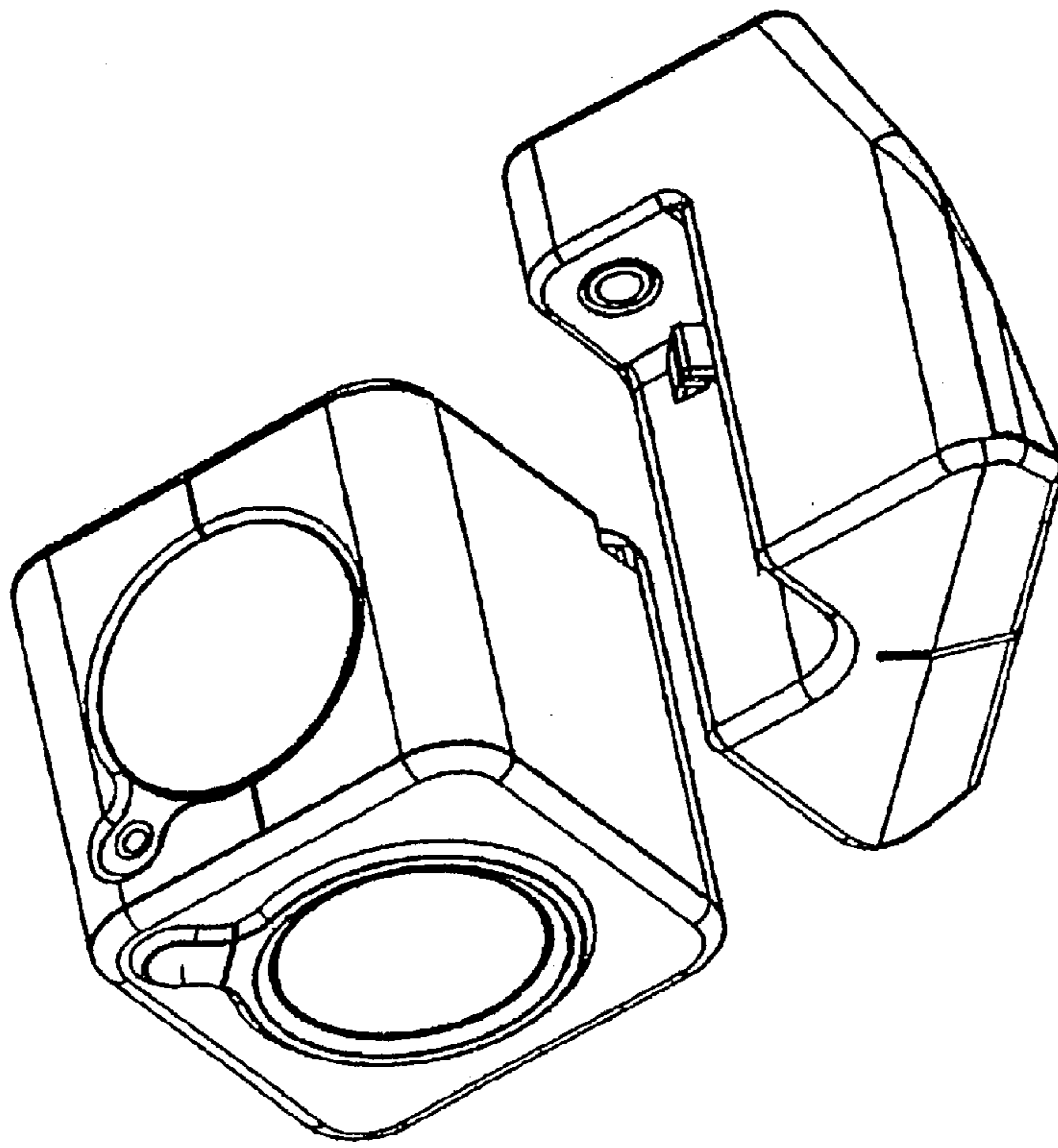


FIG. 7

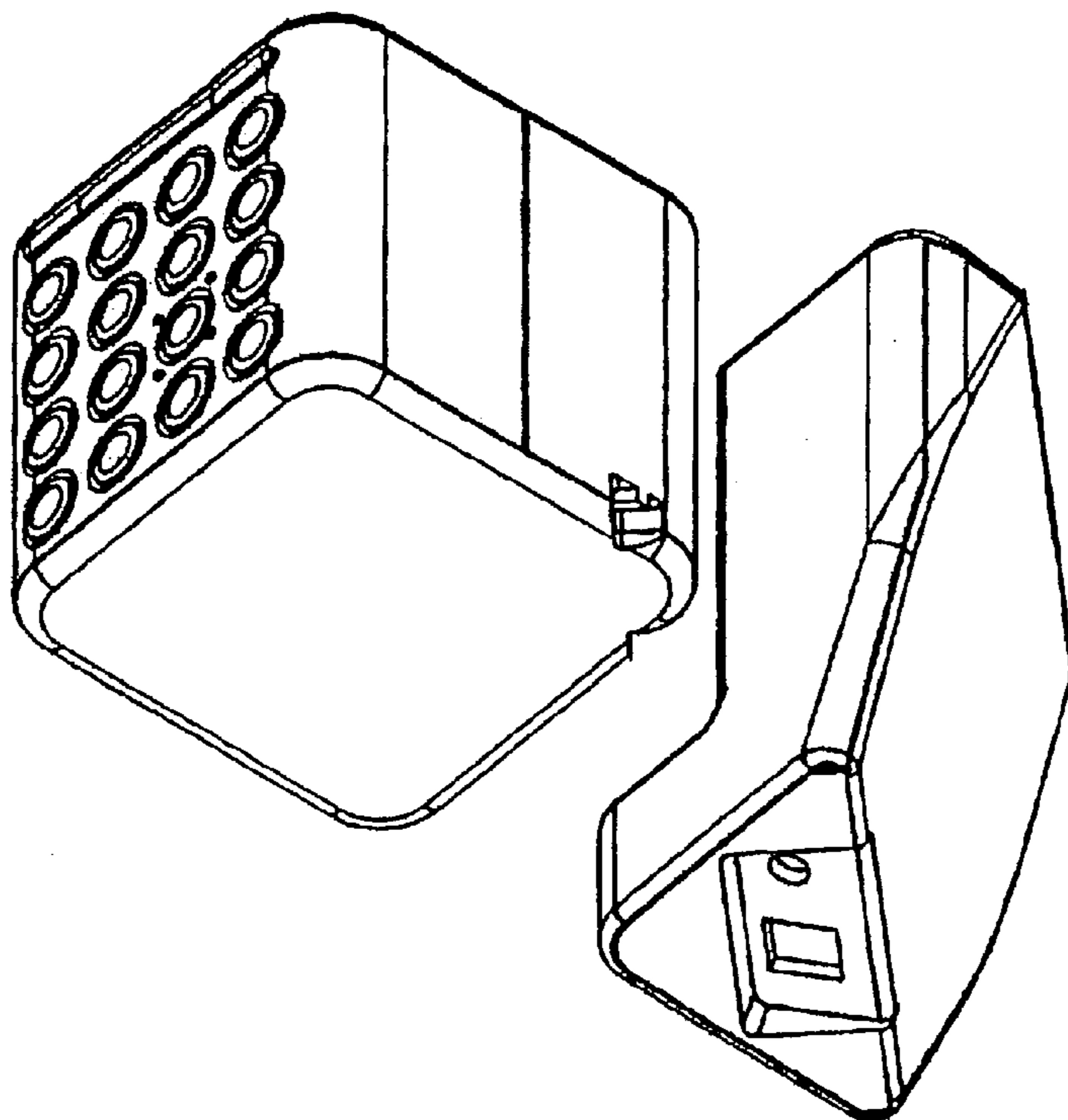


FIG. 8

UNITED STATES PATENT AND TRADEMARK OFFICE
CERTIFICATE OF CORRECTION

PATENT NO. : Des. 500,297 S
DATED : December 28, 2004
INVENTOR(S) : Chan

Page 1 of 1

It is certified that error appears in the above-identified patent and that said Letters Patent is hereby corrected as shown below:

Title page.

Item [30], **Foreign Application Priority Data**, delete "Jul. 17, 2003" and replace with -- Jul. 10, 2003 --.

Signed and Sealed this

Nineteenth Day of April, 2005

A handwritten signature in black ink on a light gray dotted background. The signature reads "Jon W. Dudas" in a cursive style.

JON W. DUDAS

Director of the United States Patent and Trademark Office