

US00D500295S

(12) **United States Design Patent**
Wedig et al.

(10) **Patent No.:** **US D500,295 S**

(45) **Date of Patent:** **** Dec. 28, 2004**

(54) **LED MODULE**

(75) Inventors: **Jeffrey P. Wedig**, Round Lake, IL
(US); **John Gill**, Twin Lakes, WI (US)

(73) Assignee: **Actown Electrocoil, Inc.**, Spring
Grove, IL (US)

(**) Term: **14 Years**

(21) Appl. No.: **29/203,382**

(22) Filed: **Apr. 15, 2004**

Related U.S. Application Data

(62) Division of application No. 29/191,487, filed on Oct. 8,
2003.

(51) **LOC (7) Cl.** **13-03**

(52) **U.S. Cl.** **D13/180**

(58) **Field of Search** D13/180, 182;
D10/104, 114; 257/76, 79, 88, 89, 93-99,
434, 676, 678, 687, 690, 698, 787; 313/498,
499, 500; 372/45; 361/760, 820; 362/226,
241, 249, 250, 307, 555, 800

(56) **References Cited**

U.S. PATENT DOCUMENTS

5,404,282 A * 4/1995 Klinke et al. 362/249

5,924,785 A * 7/1999 Zhang et al. 362/241
6,386,733 B1 * 5/2002 Ohkohdo et al. 362/249
6,501,084 B1 * 12/2002 Sakai et al. 250/504 R
6,554,450 B2 * 4/2003 Fang et al. 362/231
6,558,021 B2 * 5/2003 Wu et al. 362/249

* cited by examiner

Primary Examiner—Stella Reid

Assistant Examiner—Selina Sikder

(74) *Attorney, Agent, or Firm*—Adam K Sacharoff; Much
Shelist

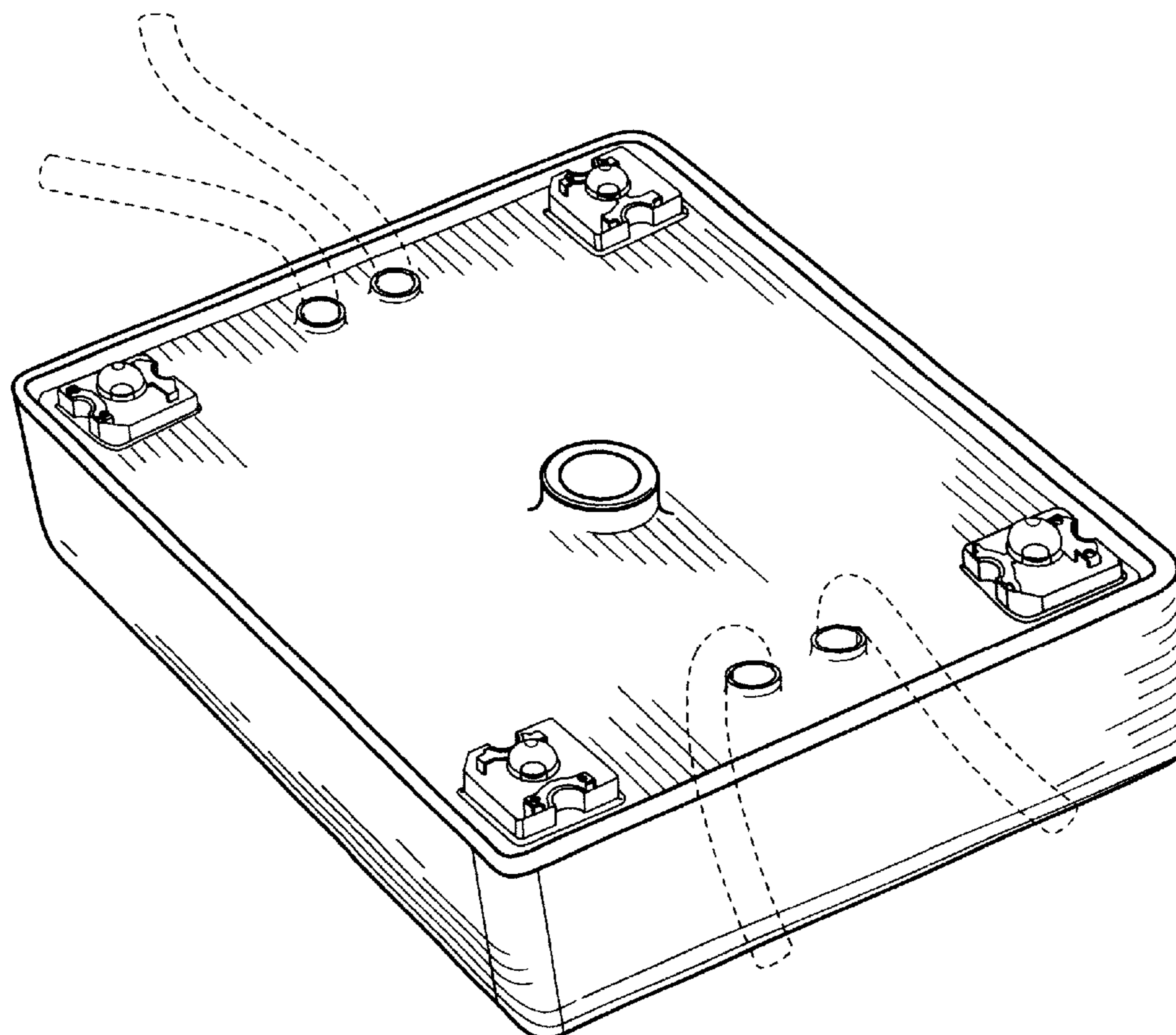
(57) **CLAIM**

The ornamental design for an LED module, as shown and
described.

DESCRIPTION

FIG. 1 is a bottom front and right side perspective view of
a light emitting diode module showing my new design;
FIG. 2 is a right side elevation view of FIG. 1, the left side
being a mirror image thereof;
FIG. 3 is a front elevation view of FIG. 1, the rear view being
a mirror image thereof;
FIG. 4 is a top plan view of FIG. 1; and,
FIG. 5 is a bottom plan view of FIG. 1.
Broken lines shown in the drawings show environmental
structure and are for illustrative purposes only and form no
part of the claimed design.

1 Claim, 3 Drawing Sheets



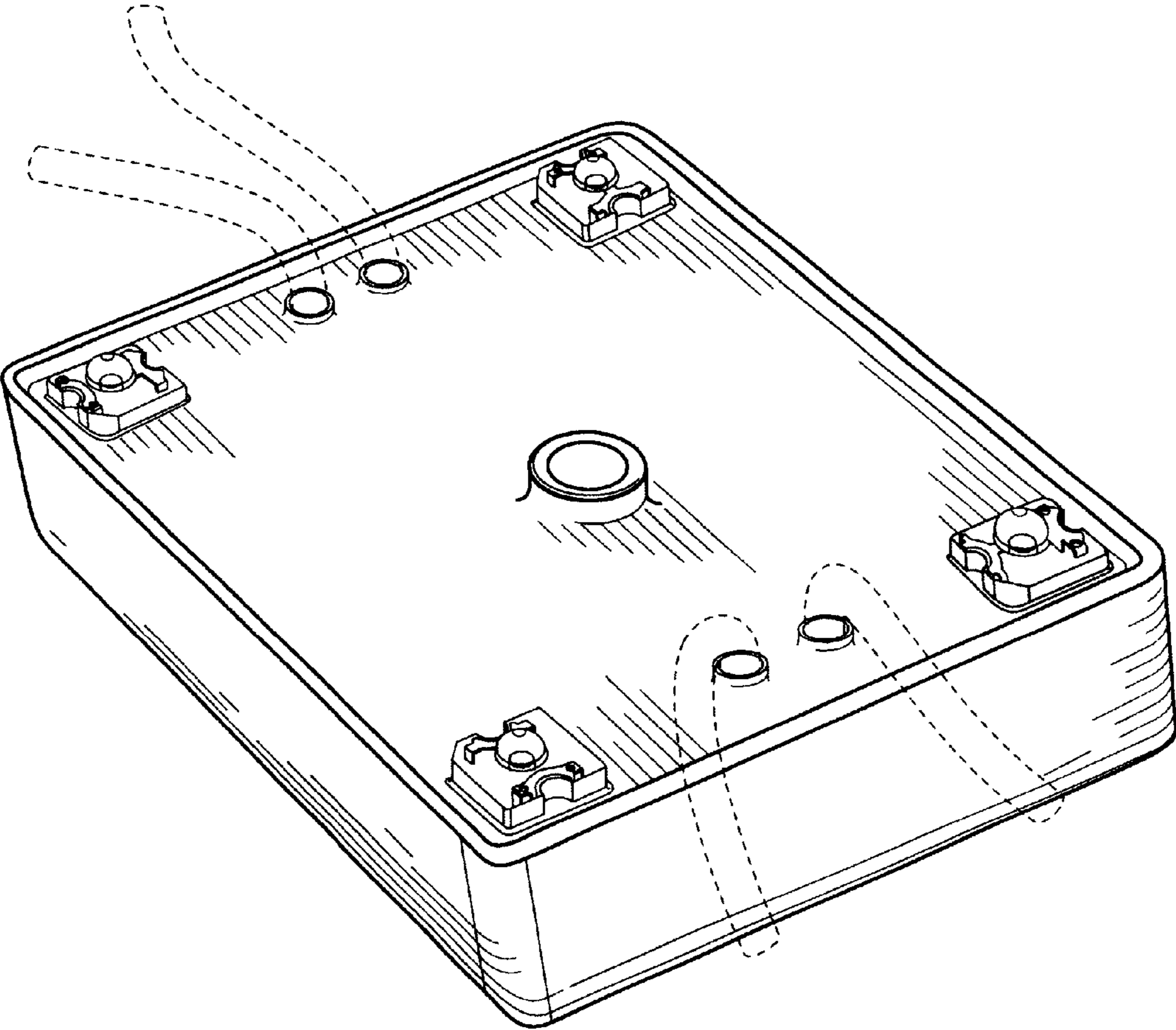


FIG. 1

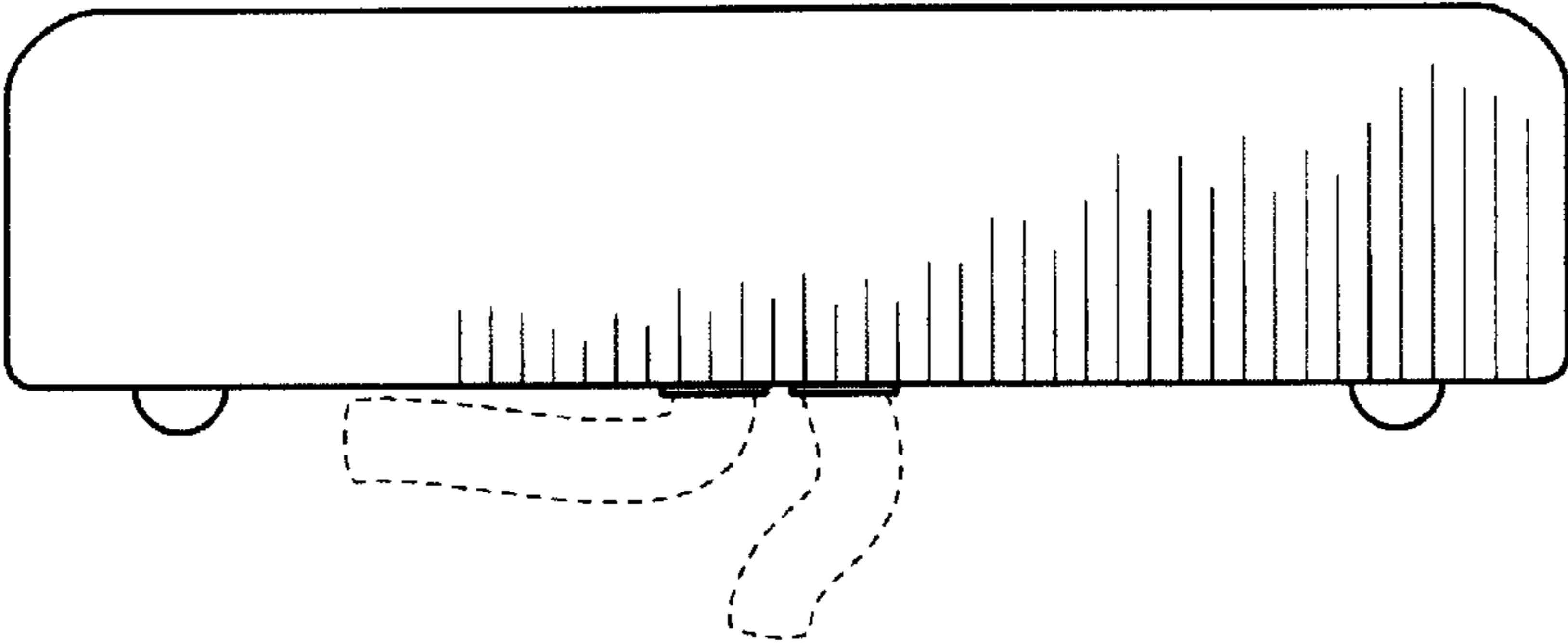


FIG. 2

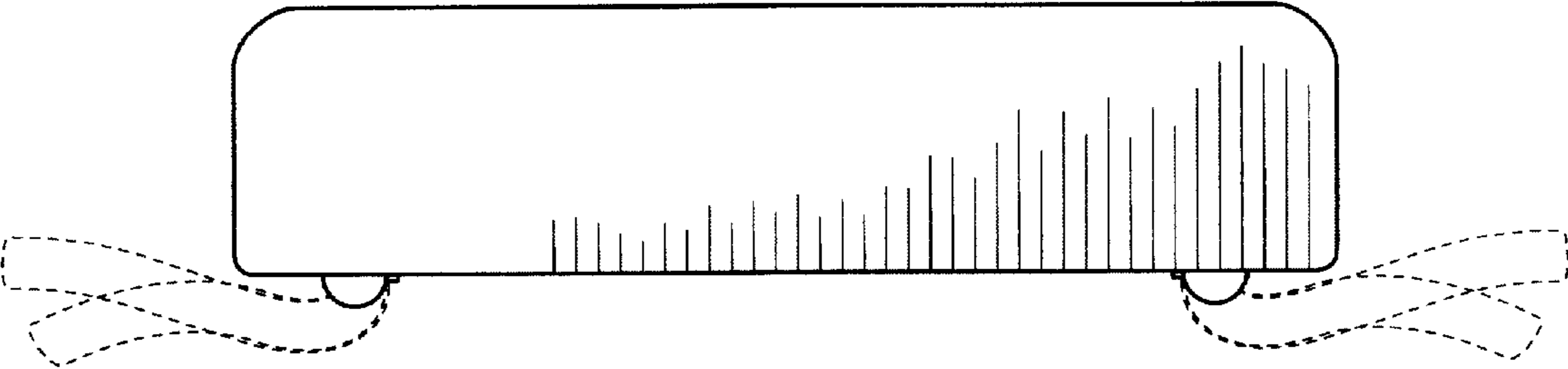


FIG. 3

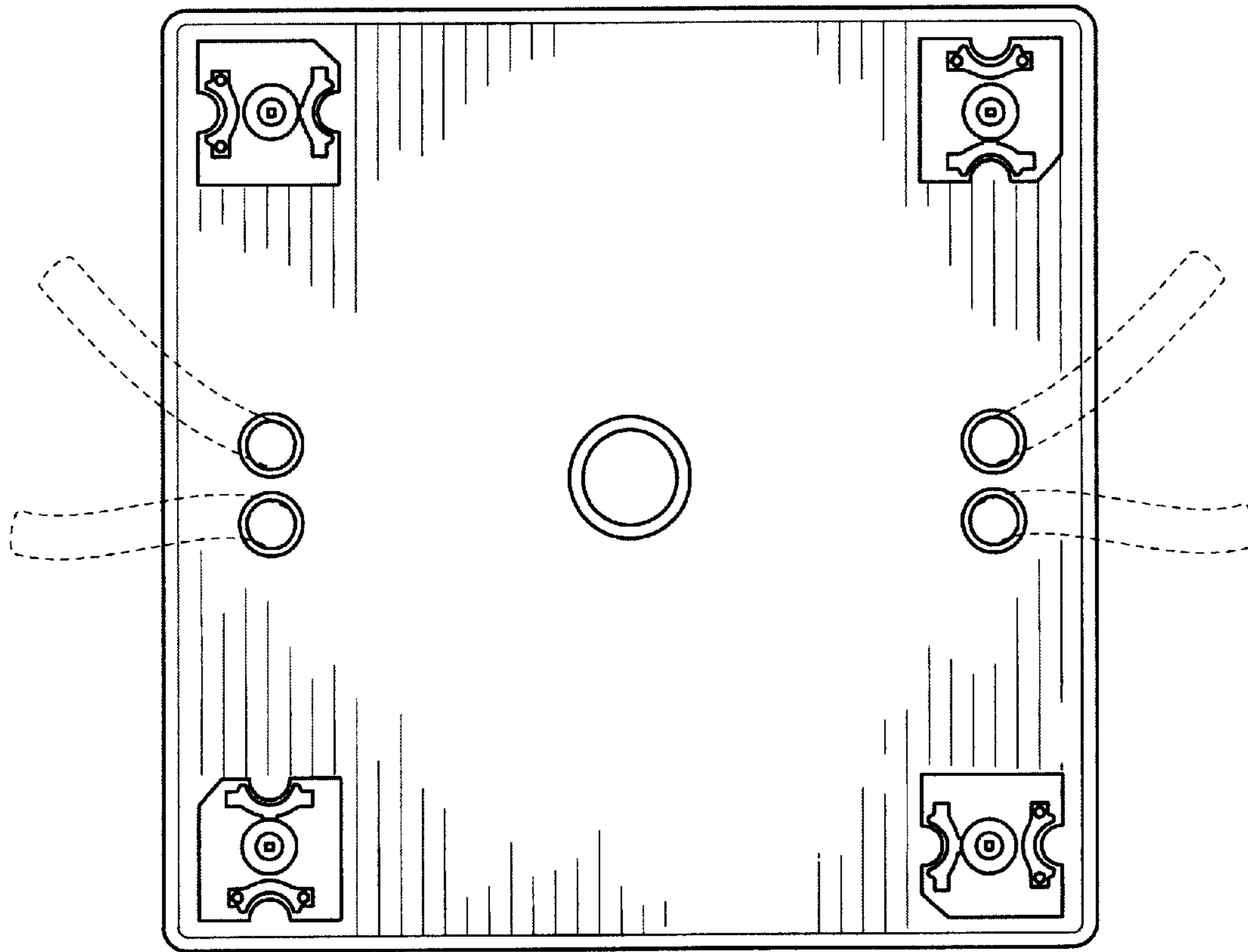


FIG. 5

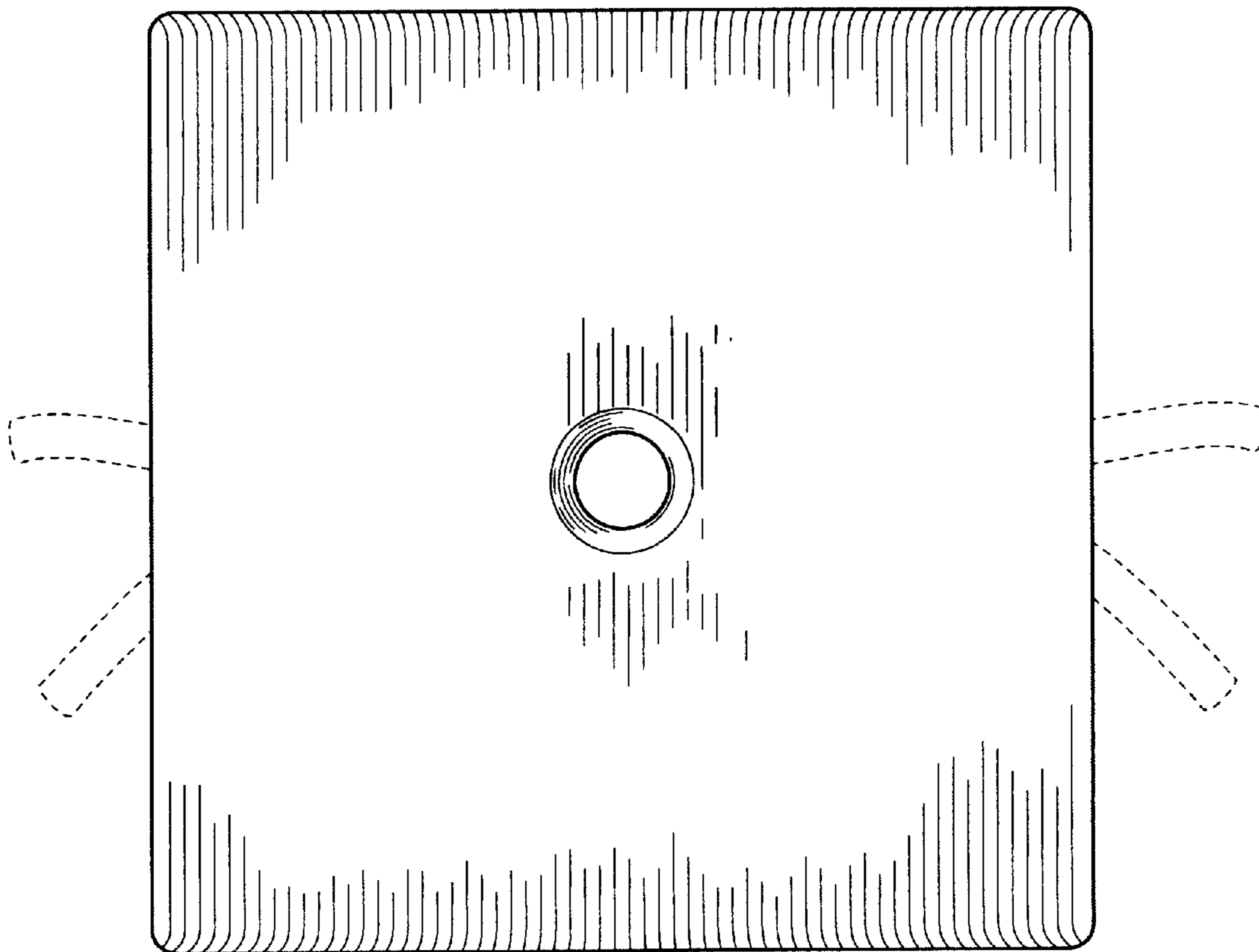


FIG. 4