

US00D500294S

(12) **United States Design Patent**
Ishida

(10) **Patent No.:** **US D500,294 S**
(45) **Date of Patent:** **** Dec. 28, 2004**

(54) **LIGHT EMITTING DIODE**

(75) **Inventor:** **Masashi Ishida, Anan (JP)**
(73) **Assignee:** **Nichia Corporation, Tokushima-ken (JP)**
(**) **Term:** **14 Years**

(21) **Appl. No.:** **29/198,314**
(22) **Filed:** **Jan. 28, 2004**

(30) **Foreign Application Priority Data**

Jul. 28, 2003 (JP) 2003-021755

(51) **LOC (7) Cl.** **13-03**
(52) **U.S. Cl.** **D13/180**
(58) **Field of Search** D13/180, 182;
D10/104, 114; 257/76, 79, 88, 89, 93-99,
434, 676, 678, 687, 690, 698, 787; 313/498,
499, 500; 361/760, 820; 362/226, 241,
249, 250, 307, 555, 800

(56) **References Cited**

U.S. PATENT DOCUMENTS

D489,677 S * 5/2004 Ishida D13/100
D489,690 S * 5/2004 Ishida D13/180
D489,691 S * 5/2004 Ishida D13/180
D489,692 S * 5/2004 Ishida D13/180
D489,693 S * 5/2004 Ishida D13/180
D490,062 S * 5/2004 Ishida D13/180
D490,384 S * 5/2004 Ishida D13/180
D490,385 S * 5/2004 Ishida D13/180
D490,386 S * 5/2004 Ishida D13/180
D490,783 S * 6/2004 Ishida D13/180
D490,784 S * 6/2004 Ishida D13/180
2002/0149314 A1 * 10/2002 Takahashi et al. 313/500

FOREIGN PATENT DOCUMENTS

JP D1077515 7/2000

* cited by examiner

Primary Examiner—Prabhakar Deshmukh
Assistant Examiner—Selina Sikder
(74) *Attorney, Agent, or Firm*—Osha & May L.L.P.

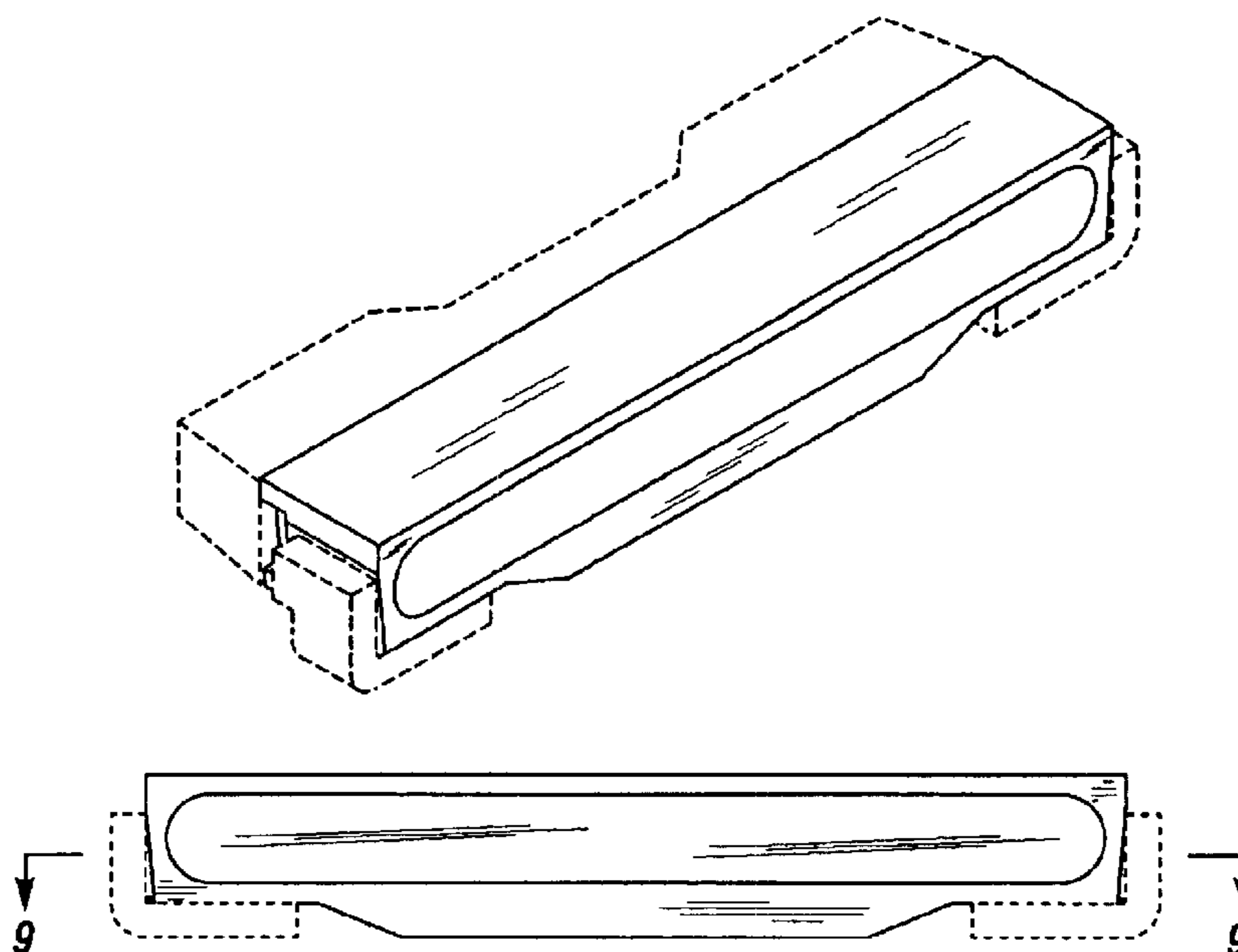
(57) **CLAIM**

The ornamental design for a light emitting diode, as shown and described.

DESCRIPTION

FIG. 1 shows a front view of the design according to an embodiment of the invention.
FIG. 2 shows a rear view of the design according to the above-mentioned embodiment of the invention.
FIG. 3 shows a top view of the design according to the above-mentioned embodiment of the invention.
FIG. 4 shows a bottom view of the design according to the above-mentioned embodiment of the invention.
FIG. 5 shows a left side view of the design according to the above-mentioned embodiment of the invention. The right side view is a mirror image of the left side view.
FIG. 6 shows a top perspective view of the design according to the above-mentioned embodiment of the invention.
FIG. 7 shows a bottom perspective view of the design according to the above-mentioned embodiment of the invention; and,
FIG. 8 shows a front view of the design according to the above-mentioned embodiment of the invention, indicating a translucent portion.
The elements shown in broken lines are for illustrative purposes only and form no part of the claimed design.

1 Claim, 2 Drawing Sheets



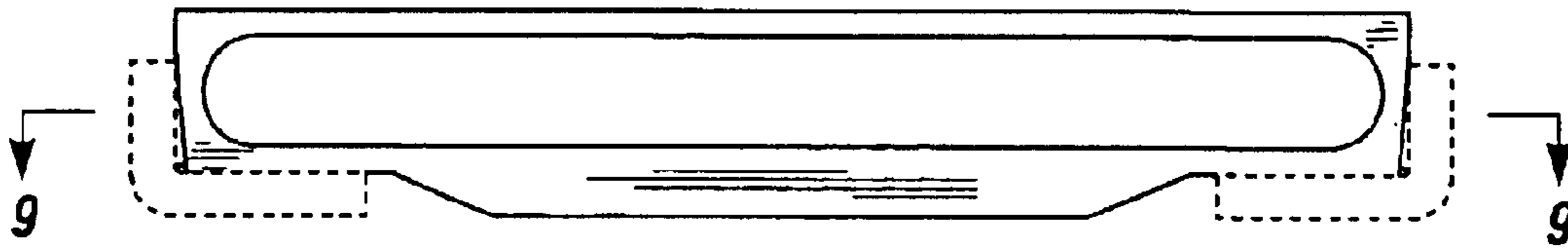


FIG. 1

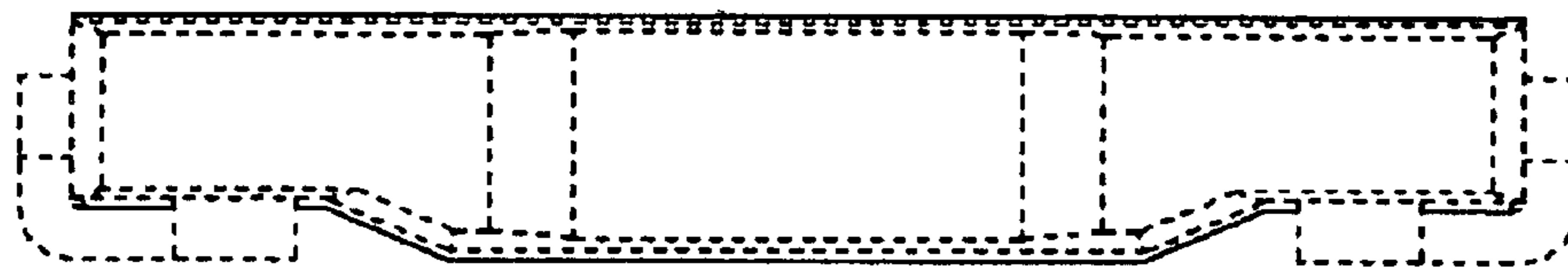


FIG. 2

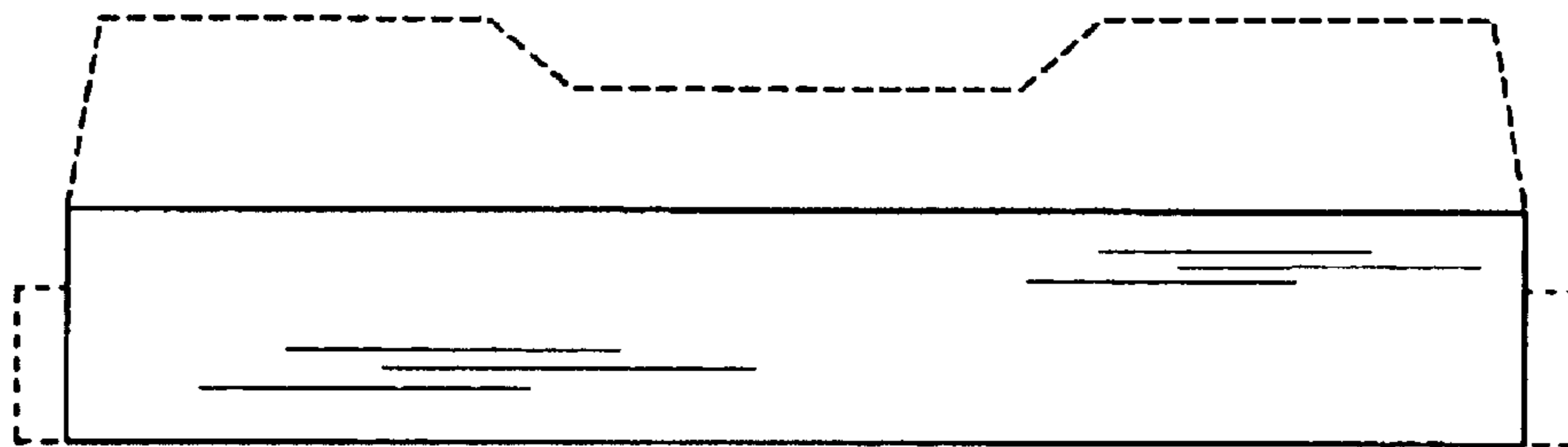


FIG. 3

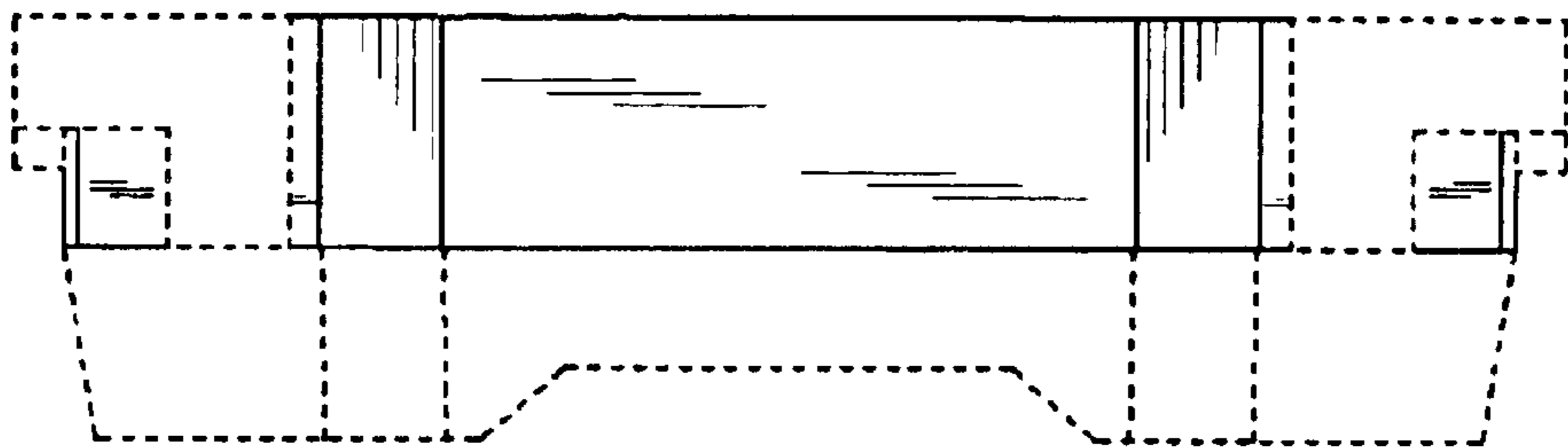


FIG. 4

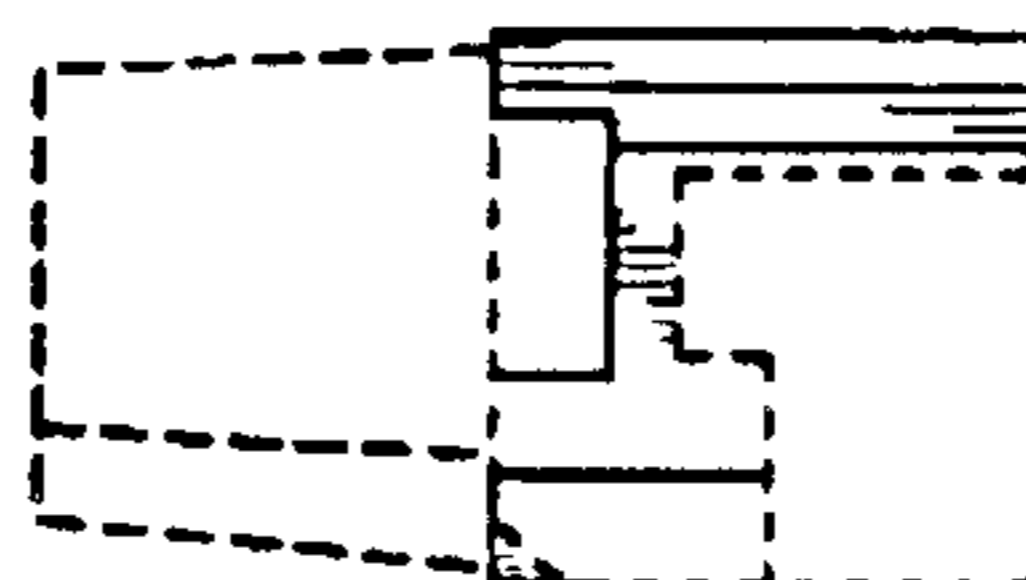


FIG. 5

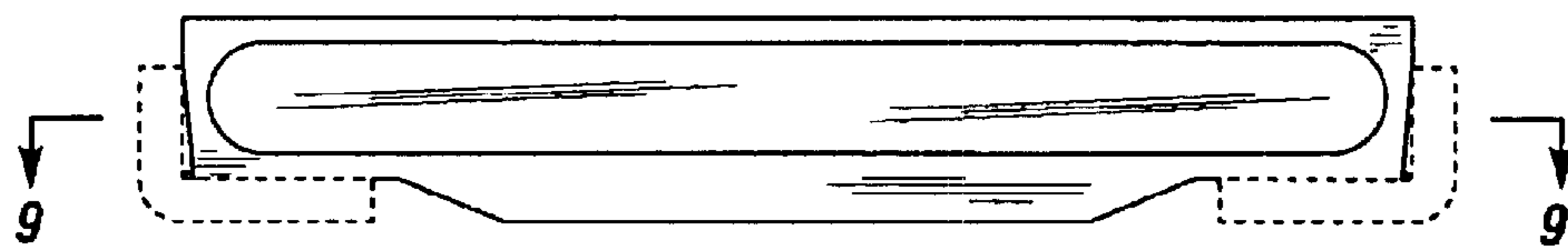
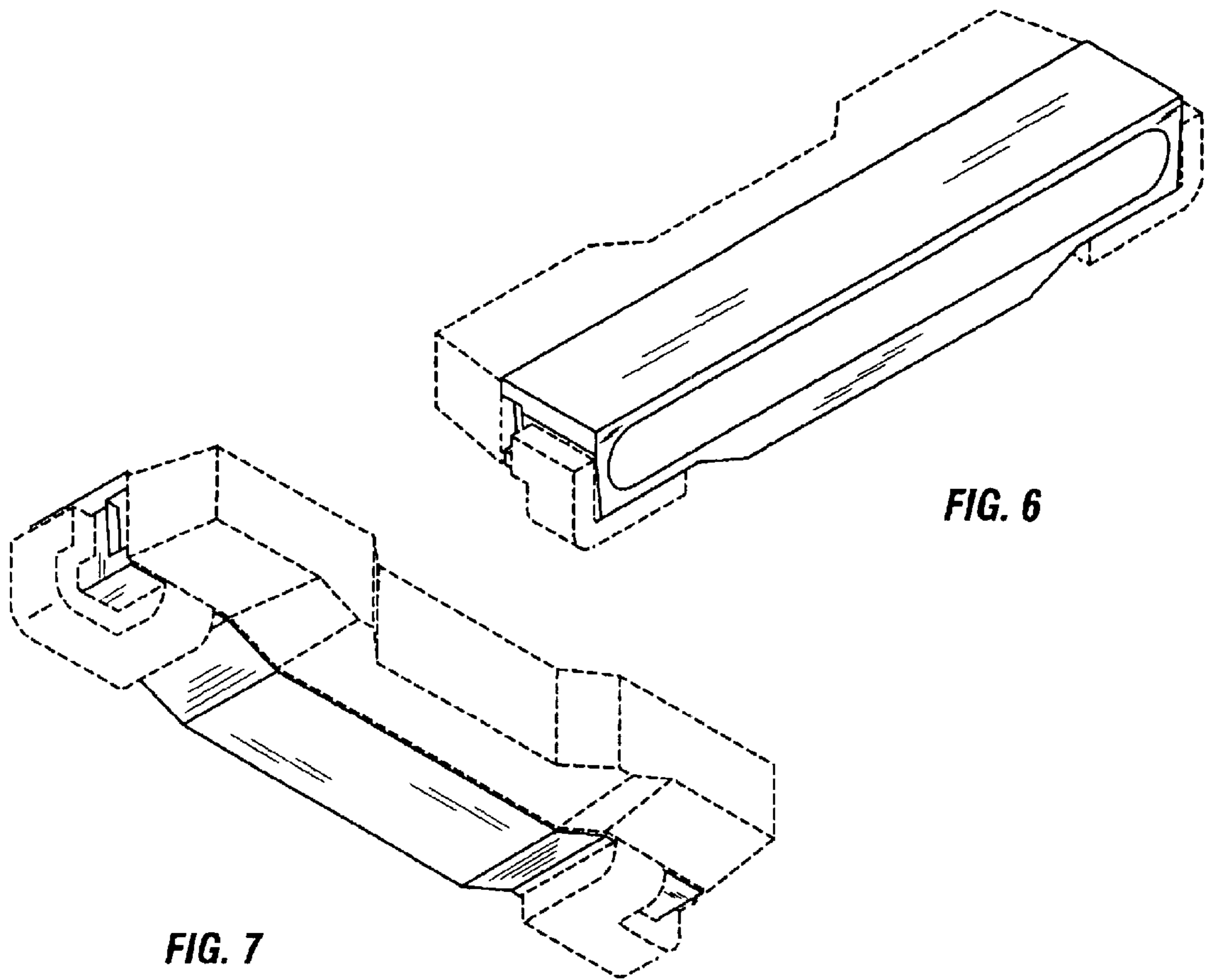


FIG. 8