

US00D500293S

(12) **United States Design Patent**  
**Ishida**

(10) **Patent No.:** **US D500,293 S**  
(45) **Date of Patent:** **\*\* Dec. 28, 2004**

(54) **LIGHT EMITTING DIODE**

**FOREIGN PATENT DOCUMENTS**

(75) **Inventor:** **Masashi Ishida, Anan (JP)**

JP D1077515 7/2000

(73) **Assignee:** **Nichia Corporation, Tokushima-ken (JP)**

\* cited by examiner

(\*\*) **Term:** **14 Years**

*Primary Examiner*—Prabhakar Deshmukh

*Assistant Examiner*—Selina Sikder

(74) *Attorney, Agent, or Firm*—Osha & May L.L.P.

(21) **Appl. No.:** **29/198,313**

(57) **CLAIM**

(22) **Filed:** **Jan. 28, 2004**

The ornamental design for a light emitting diode, as shown and described.

(30) **Foreign Application Priority Data**

Jul. 28, 2003 (JP) ..... 2003-021754

**DESCRIPTION**

(51) **LOC (7) Cl.** ..... **13-03**

FIG. 1 shows a front view of the design according to an embodiment of the invention.

(52) **U.S. Cl.** ..... **D13/180**

FIG. 2 shows a rear view of the design according to the above-mentioned embodiment of the invention.

(58) **Field of Search** ..... D13/180, 182;  
D10/104, 114; 257/76, 79, 88, 89, 93-99,  
434, 676, 678, 687, 690, 698, 787; 313/498,  
499, 500; 361/760, 820; 362/226, 241,  
249, 250, 307, 555, 800

FIG. 3 shows a top view of the design according to the above-mentioned embodiment of the invention.

FIG. 4 shows a bottom view of the design according to the above-mentioned embodiment of the invention.

(56) **References Cited**

**U.S. PATENT DOCUMENTS**

D489,677 S	*	5/2004	Ishida	.....	D13/100
D489,690 S	*	5/2004	Ishida	.....	D13/180
D489,691 S	*	5/2004	Ishida	.....	D13/180
D489,692 S	*	5/2004	Ishida	.....	D13/180
D489,693 S	*	5/2004	Ishida	.....	D13/180
D490,062 S	*	5/2004	Ishida	.....	D13/180
D490,384 S	*	5/2004	Ishida	.....	D13/180
D490,385 S	*	5/2004	Ishida	.....	D13/180
D490,386 S	*	5/2004	Ishida	.....	D13/180
D490,783 S	*	6/2004	Ishida	.....	D13/180
D490,784 S	*	6/2004	Ishida	.....	D13/180
2002/0149314 A1	*	10/2002	Takahashi et al.	.....	313/500

FIG. 5 shows a left side view of the design according to the above-mentioned embodiment of the invention. The right side view is a mirror image of the left side view.

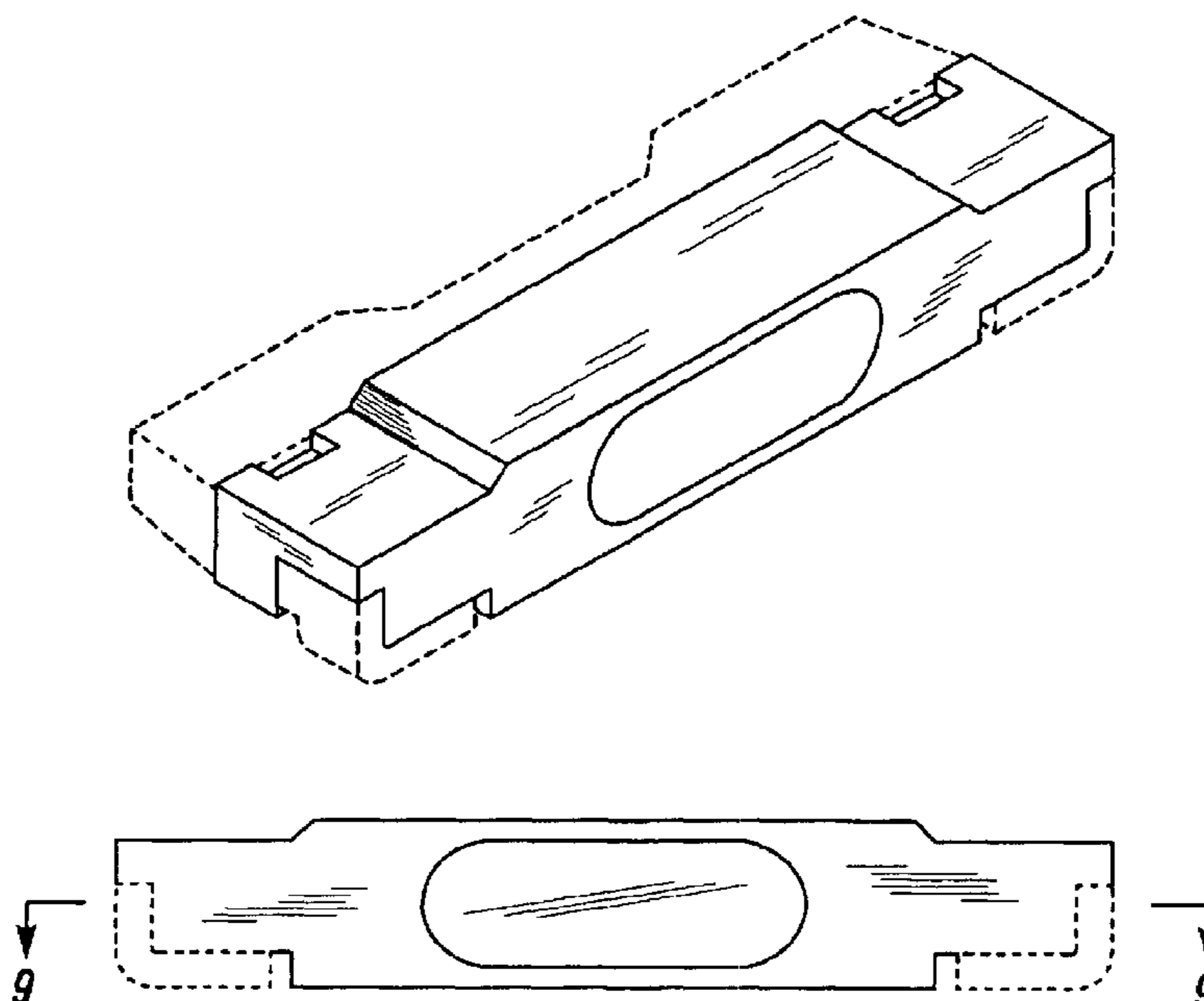
FIG. 6 shows a top perspective view of the design according to the above-mentioned embodiment of the invention.

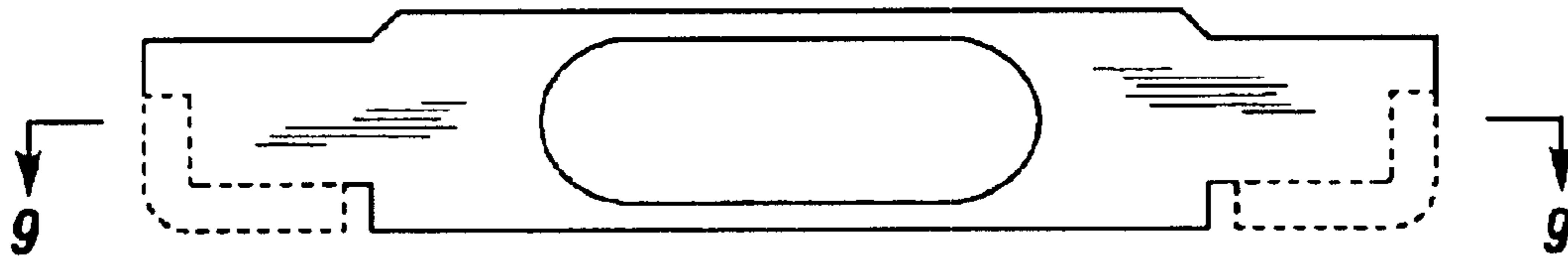
FIG. 7 shows a bottom perspective view of the design according to the above-mentioned embodiment of the invention; and,

FIG. 8 shows a front view of the design according to the above-mentioned embodiment of the invention, indicating a translucent portion.

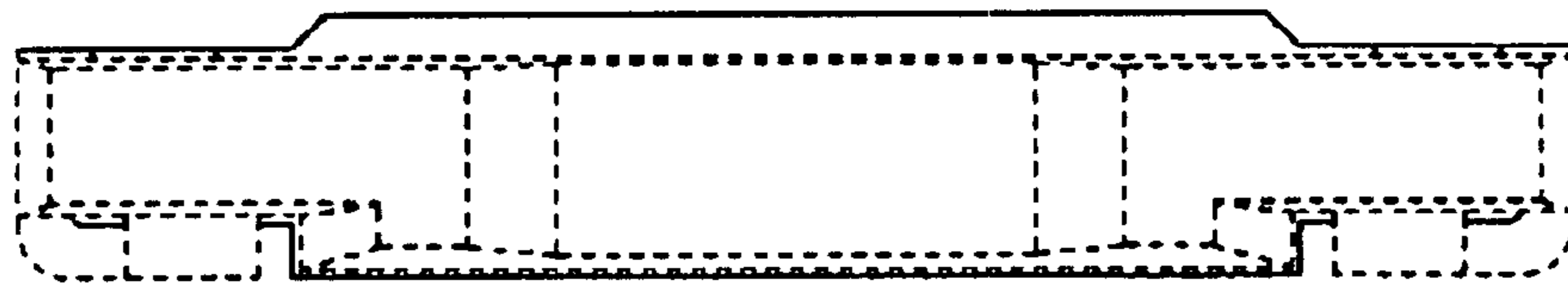
The elements shown in broken lines are for illustrative purposes only and form no part of the claimed design.

**1 Claim, 3 Drawing Sheets**

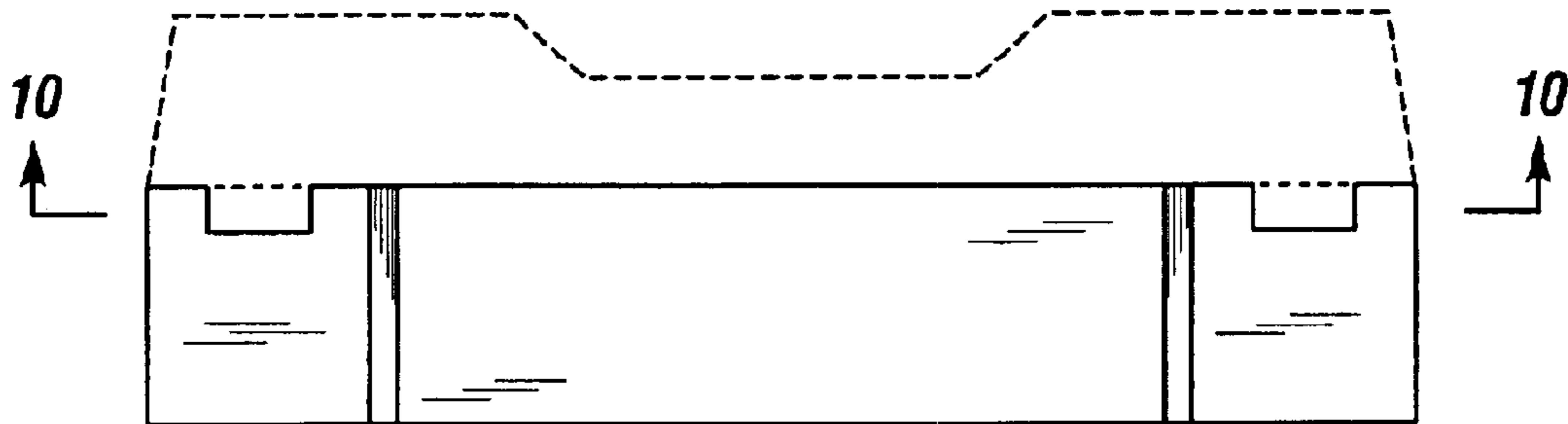




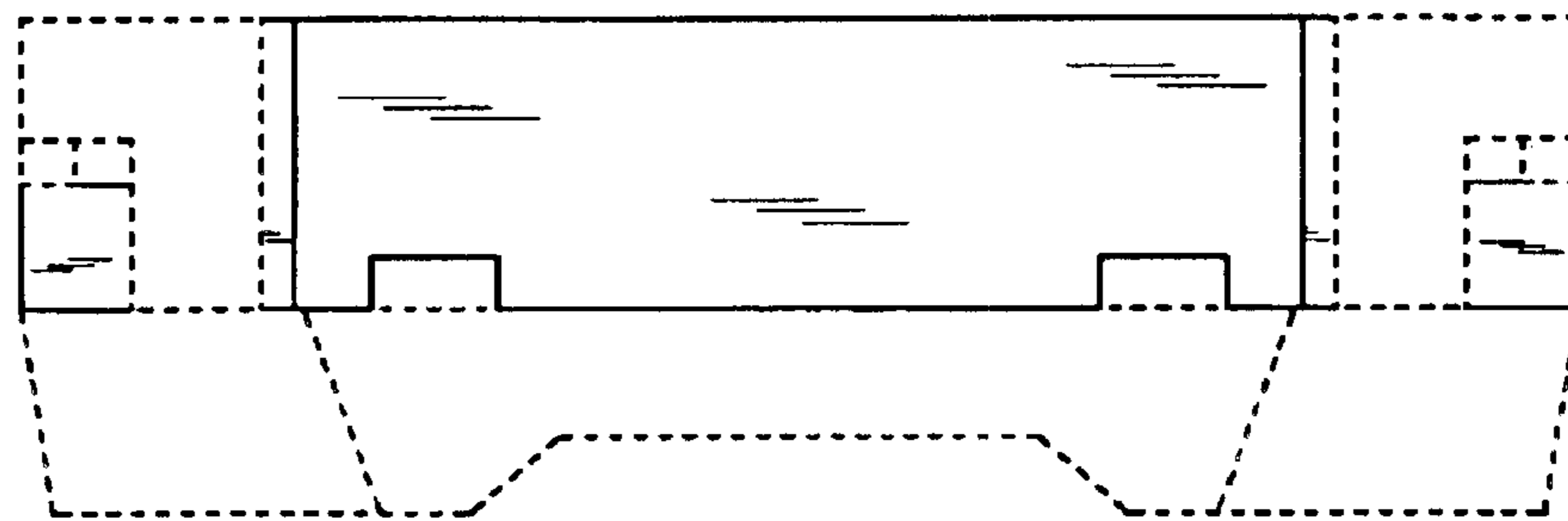
**FIG. 1**



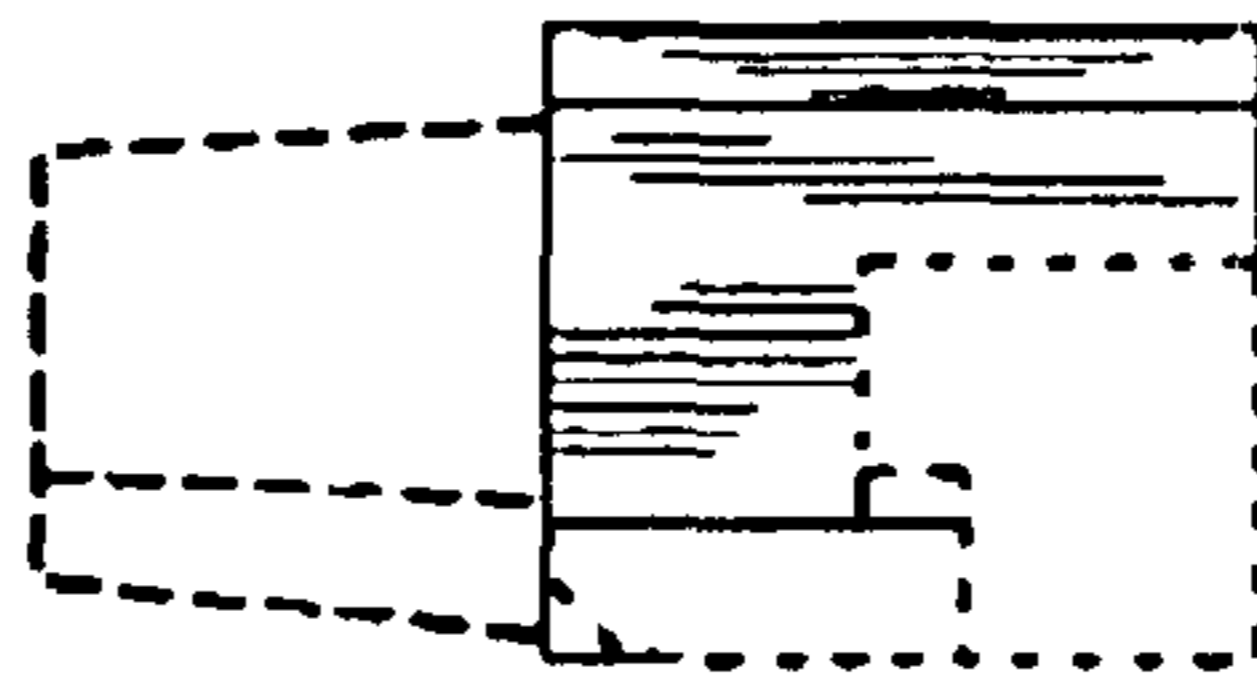
**FIG. 2**



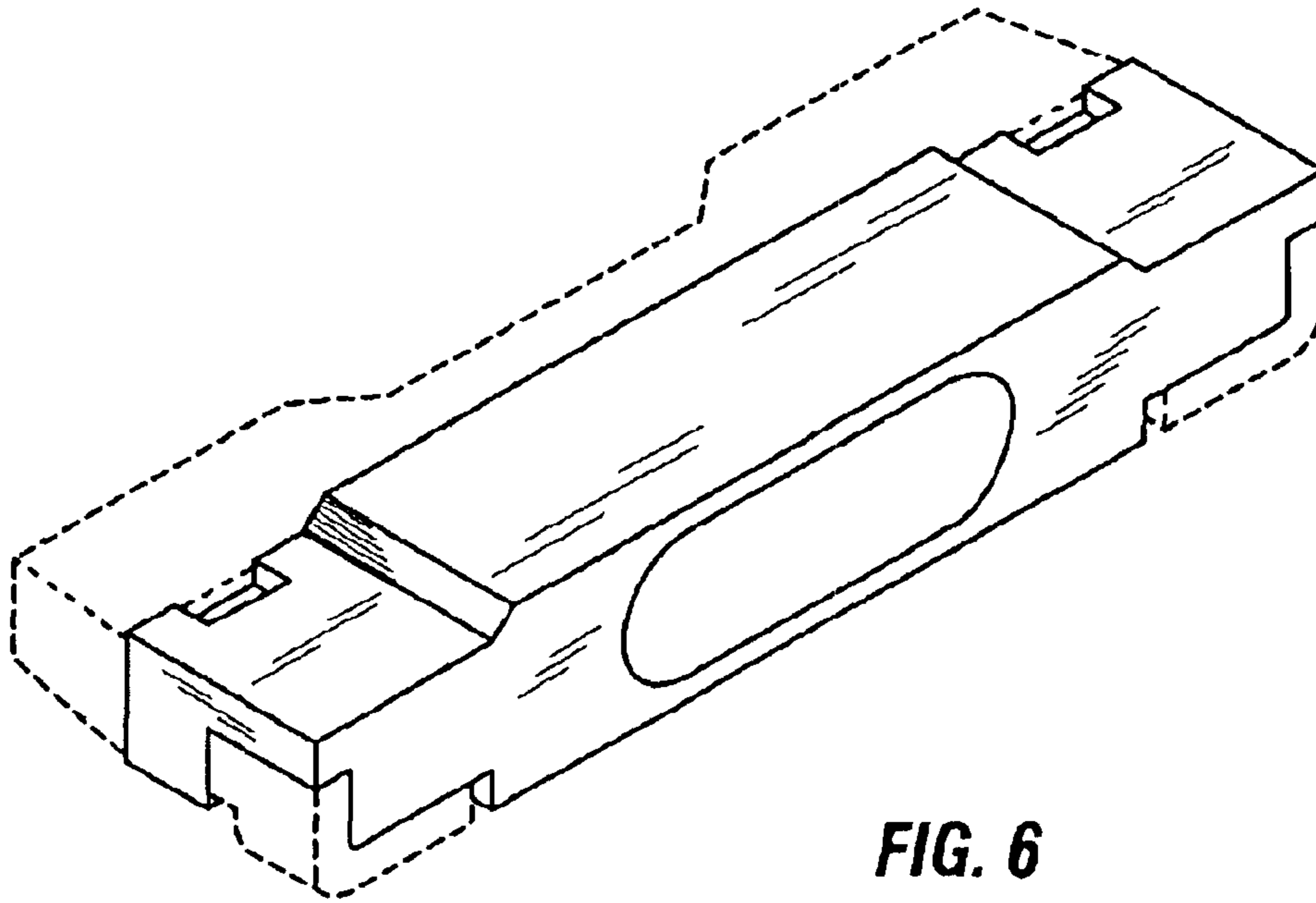
**FIG. 3**



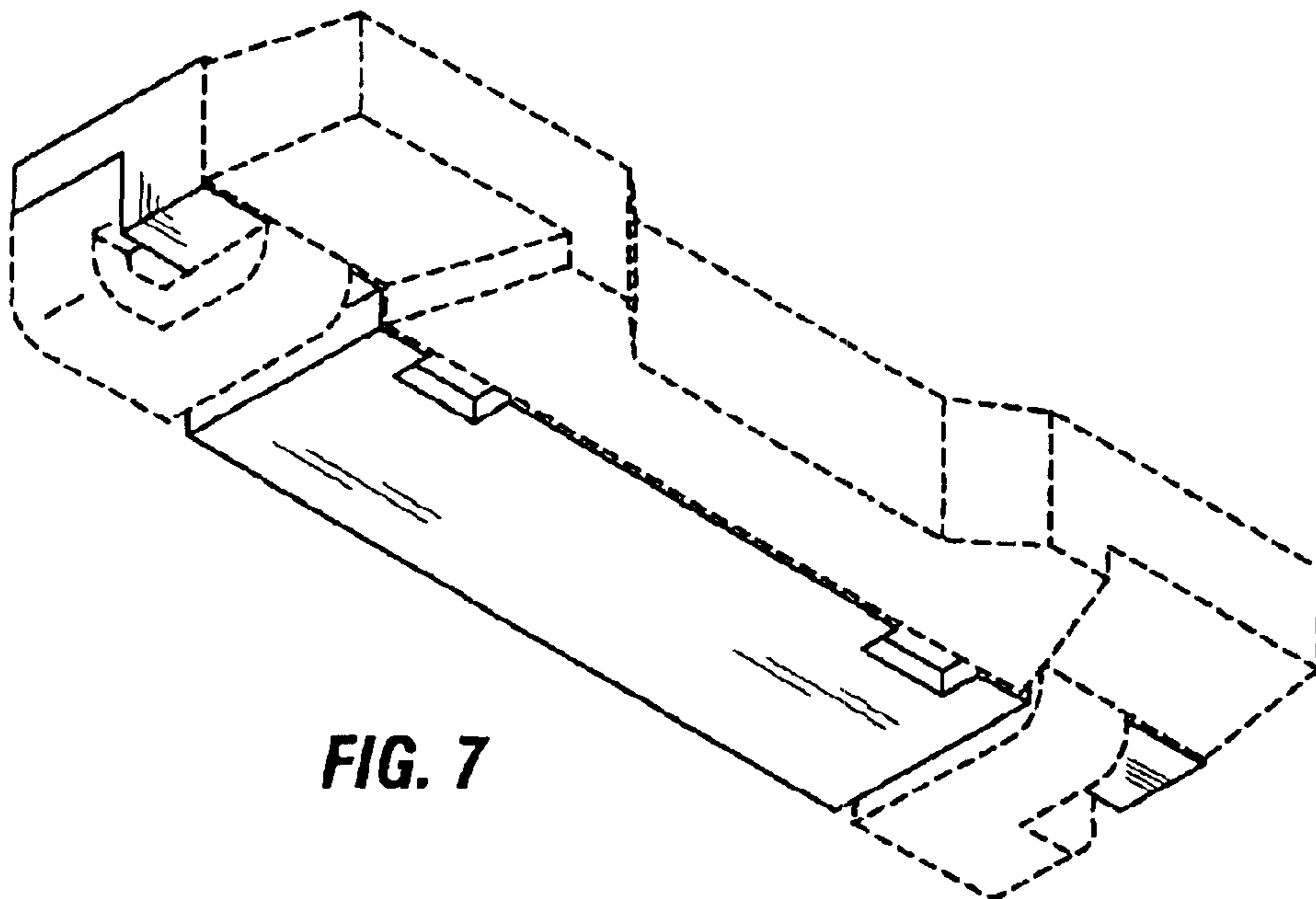
**FIG. 4**



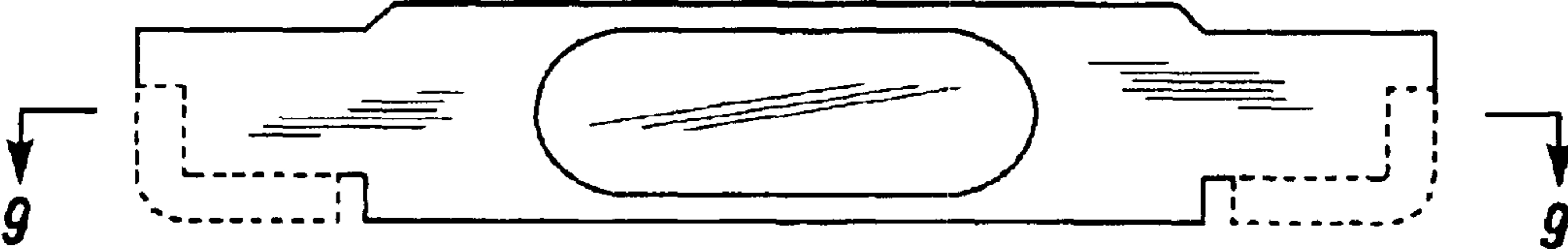
**FIG. 5**



**FIG. 6**



**FIG. 7**



**FIG. 8**