

US00D500292S

(12) **United States Design Patent**  
**Ishida**

(10) **Patent No.:** **US D500,292 S**  
(45) **Date of Patent:** **\*\* Dec. 28, 2004**

(54) **LIGHT EMITTING DIODE**

**FOREIGN PATENT DOCUMENTS**

(75) Inventor: **Masashi Ishida, Anan (JP)**

JP D1077515 7/2000

(73) Assignee: **Nichia Corporation, Tokushima-ken (JP)**

\* cited by examiner

(\*\*) Term: **14 Years**

*Primary Examiner*—Prabhakar Deshmukh

*Assistant Examiner*—Selina Sikder

(21) Appl. No.: **29/198,311**

(74) *Attorney, Agent, or Firm*—Osha & May L.L.P.

(22) Filed: **Jan. 28, 2004**

(57) **CLAIM**

The ornamental design for a light emitting diode, as shown and described.

(30) **Foreign Application Priority Data**

Jul. 28, 2003 (JP) ..... 2003-021757

**DESCRIPTION**

(51) **LOC (7) Cl.** ..... **13-03**

FIG. 1 shows a front view of the design according to an embodiment of the invention.

(52) **U.S. Cl.** ..... **D13/180**

FIG. 2 shows a rear view of the design according to the above-mentioned embodiment of the invention.

(58) **Field of Search** ..... D13/180, 182;  
D10/104, 114; 257/76, 79, 88, 89, 93-99,  
434, 676, 678, 687, 690, 698, 787; 313/498,  
499, 500; 361/760, 820; 362/226, 241,  
249, 250, 307, 555, 800

FIG. 3 shows a top view of the design according to the above-mentioned embodiment of the invention.

FIG. 4 shows a bottom view of the design according to the above-mentioned embodiment of the invention.

(56) **References Cited**

**U.S. PATENT DOCUMENTS**

- D489,677 S \* 5/2004 Ishida ..... D13/100
- D489,690 S \* 5/2004 Ishida ..... D13/180
- D489,691 S \* 5/2004 Ishida ..... D13/180
- D489,692 S \* 5/2004 Ishida ..... D13/180
- D489,693 S \* 5/2004 Ishida ..... D13/180
- D490,062 S \* 5/2004 Ishida ..... D13/180
- D490,384 S \* 5/2004 Ishida ..... D13/180
- D490,385 S \* 5/2004 Ishida ..... D13/180
- D490,386 S \* 5/2004 Ishida ..... D13/180
- D490,783 S \* 6/2004 Ishida ..... D13/180
- D490,784 S \* 6/2004 Ishida ..... D13/180
- 2002/0149314 A1 \* 10/2002 Takahashi et al. .... 313/500

FIG. 5 shows a left side view of the design according to the above-mentioned embodiment of the invention.

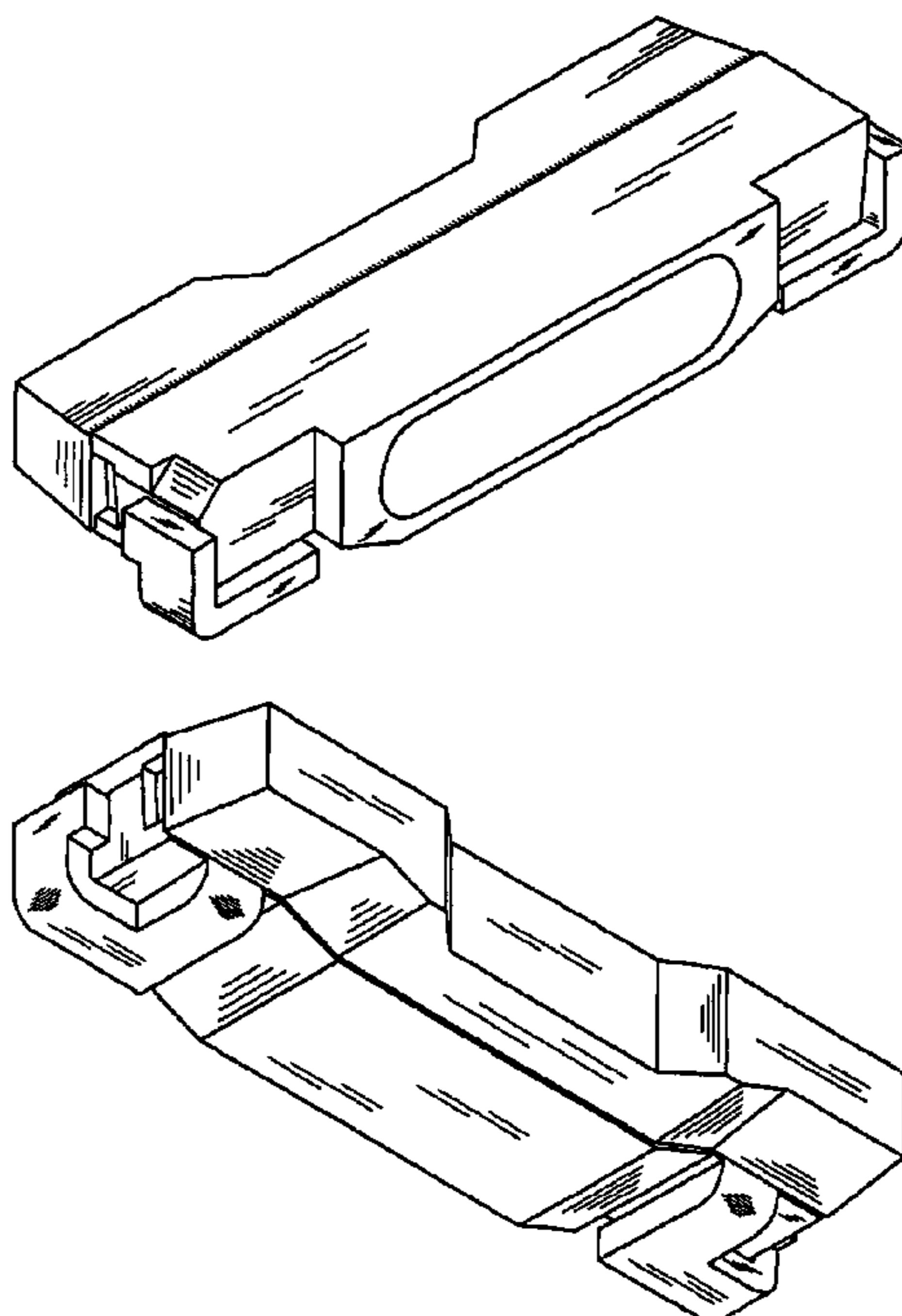
FIG. 6 shows a right side view of the design according to the above-mentioned embodiment of the invention.

FIG. 7 shows a top perspective view of the design according to the above-mentioned embodiment of the invention.

FIG. 8 shows a bottom perspective view of the design according to the above-mentioned embodiment of the invention; and,

FIG. 9 shows a front view of the design according to the above-mentioned embodiment of the invention, indicating a translucent portion.

**1 Claim, 2 Drawing Sheets**



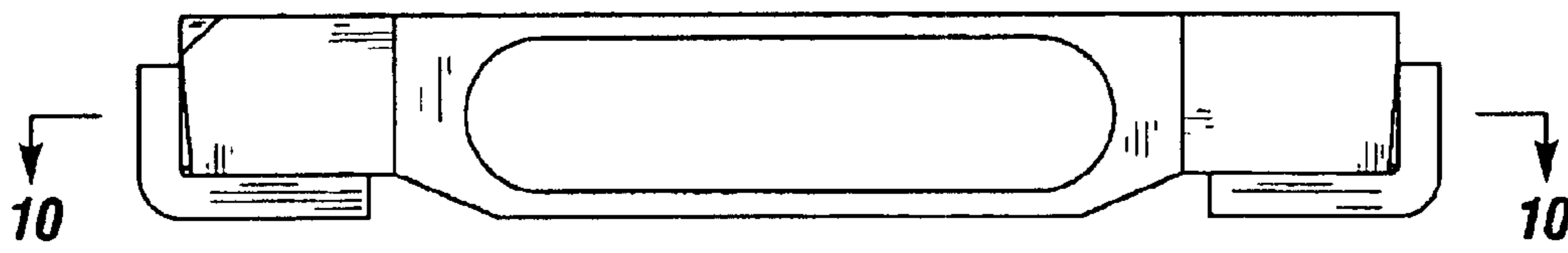


FIG. 1

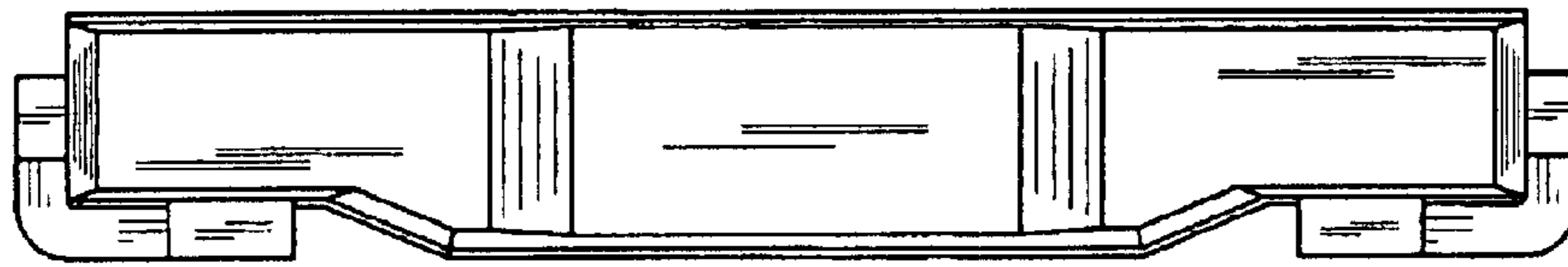


FIG. 2

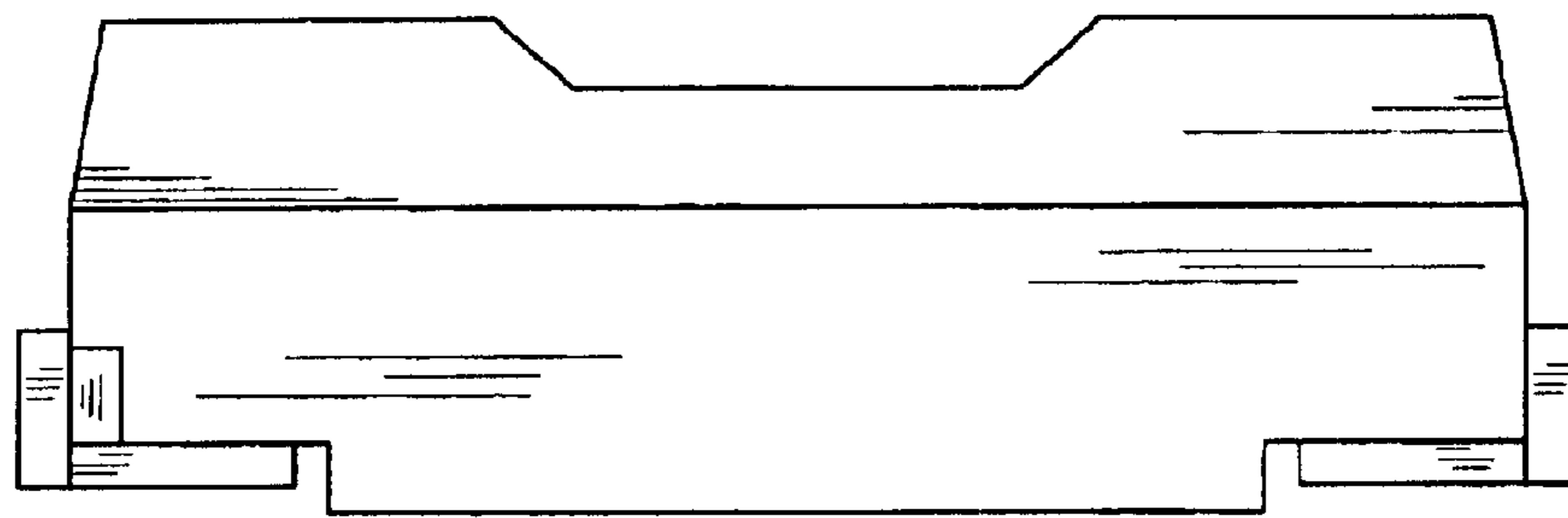


FIG. 3

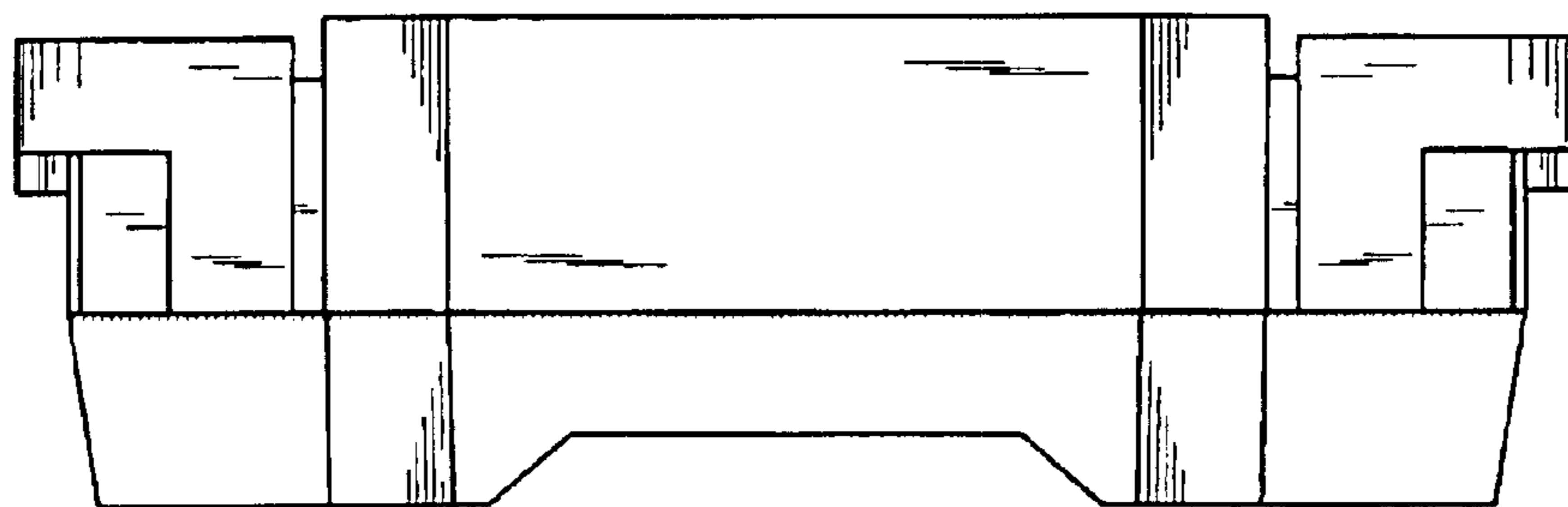


FIG. 4



FIG. 5

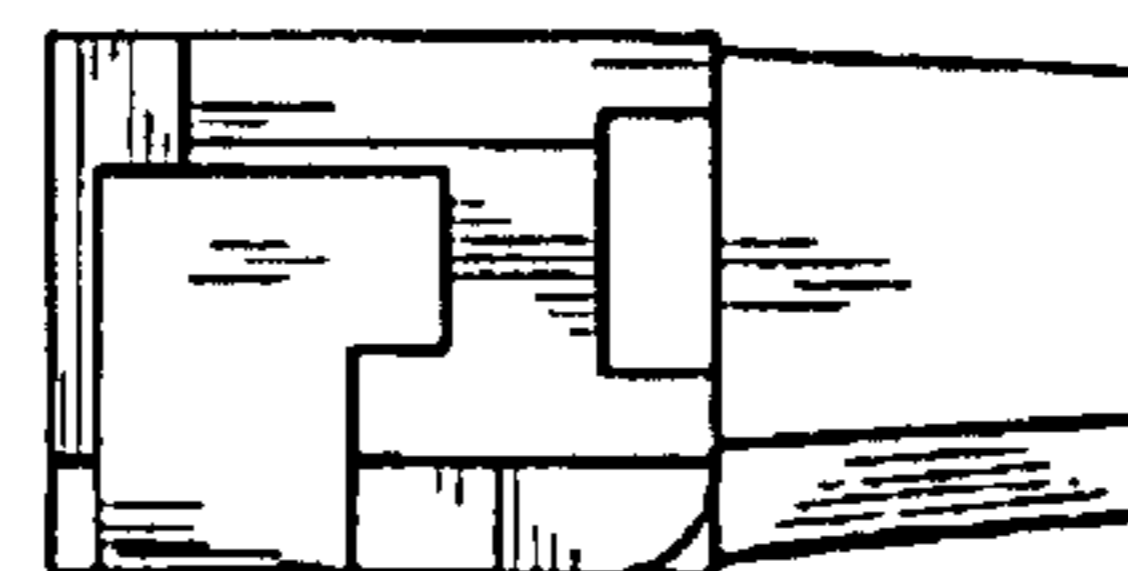


FIG. 6

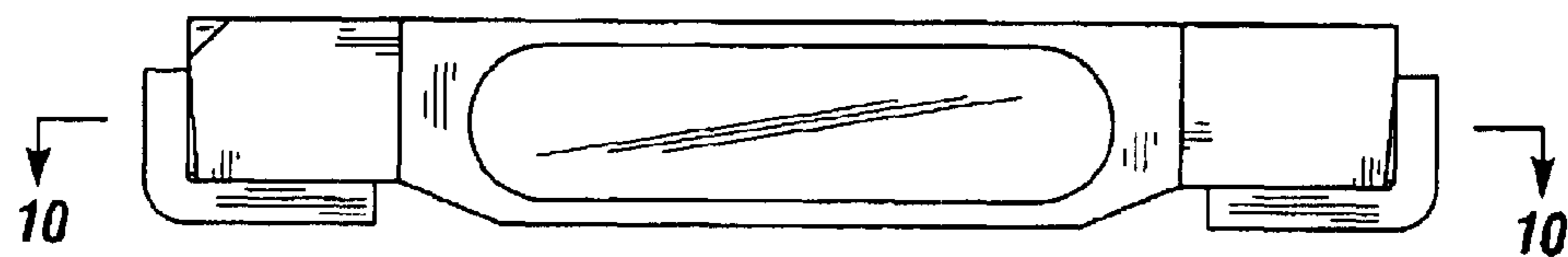
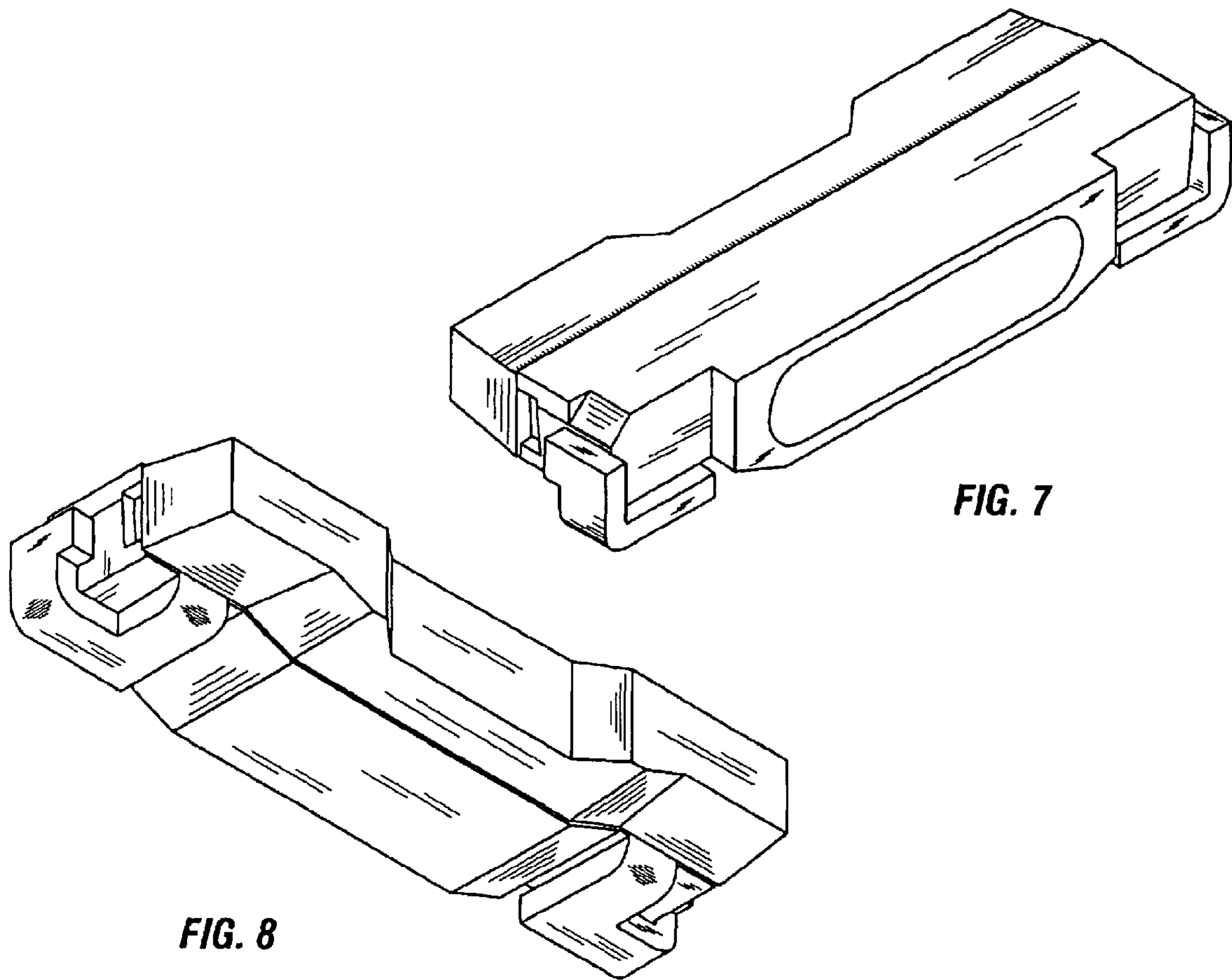


FIG. 9