



US00D500291S

(12) **United States Design Patent**  
**Byrne**

(10) **Patent No.:** **US D500,291 S**  
(45) **Date of Patent:** **\*\* Dec. 28, 2004**

(54) **ELECTRICAL CONNECTOR KEYING ARRANGEMENT**

(76) **Inventor:** **Norman R. Byrne**, 2736 Honey Creek, NE., Ada, MI (US) 49301

(\*\*) **Term:** **14 Years**

(21) **Appl. No.:** **29/182,696**

(22) **Filed:** **May 30, 2003**

(51) **LOC (7) Cl.** ..... **13-03**

(52) **U.S. Cl.** ..... **D13/147**

(58) **Field of Search** ..... D13/146, 147;  
385/53, 58, 71, 76, 77, 78; 439/171, 221,  
284, 353, 354, 357, 358, 680, 681

(56) **References Cited**

**U.S. PATENT DOCUMENTS**

D210,533 S	*	3/1968	Pauza	.....	D13/147
4,611,887 A	*	9/1986	Glover et al.	.....	385/71
D288,554 S	*	3/1987	Yokomizo et al.	.....	D13/147
4,990,099 A	*	2/1991	Marin et al.	.....	439/284
5,289,554 A	*	2/1994	Cubukciyan et al.	.....	385/76
D474,746 S	*	5/2003	Rupert	.....	D13/147

\* cited by examiner

*Primary Examiner*—Stella Reid

*Assistant Examiner*—Selina Sikder

(74) *Attorney, Agent, or Firm*—Varnum, Riddering, Schmidt & Howlett LLP

(57) **CLAIM**

I Claim, the ornamental electrical connector keying arrangement, as shown and described.

**DESCRIPTION**

FIG. 1 is a perspective view of a first embodiment of my electrical connector keying arrangement in accordance with the invention;

FIG. 2 is an end view of the embodiment of my electrical connector keying arrangement illustrated in FIG. 1;

FIG. 3 is a left-side elevation view of the first embodiment of my electrical connector keying arrangement illustrated in FIG. 1;

FIG. 4 is a plan view of the first embodiment of my electrical connector keying arrangement illustrated in FIG. 1;

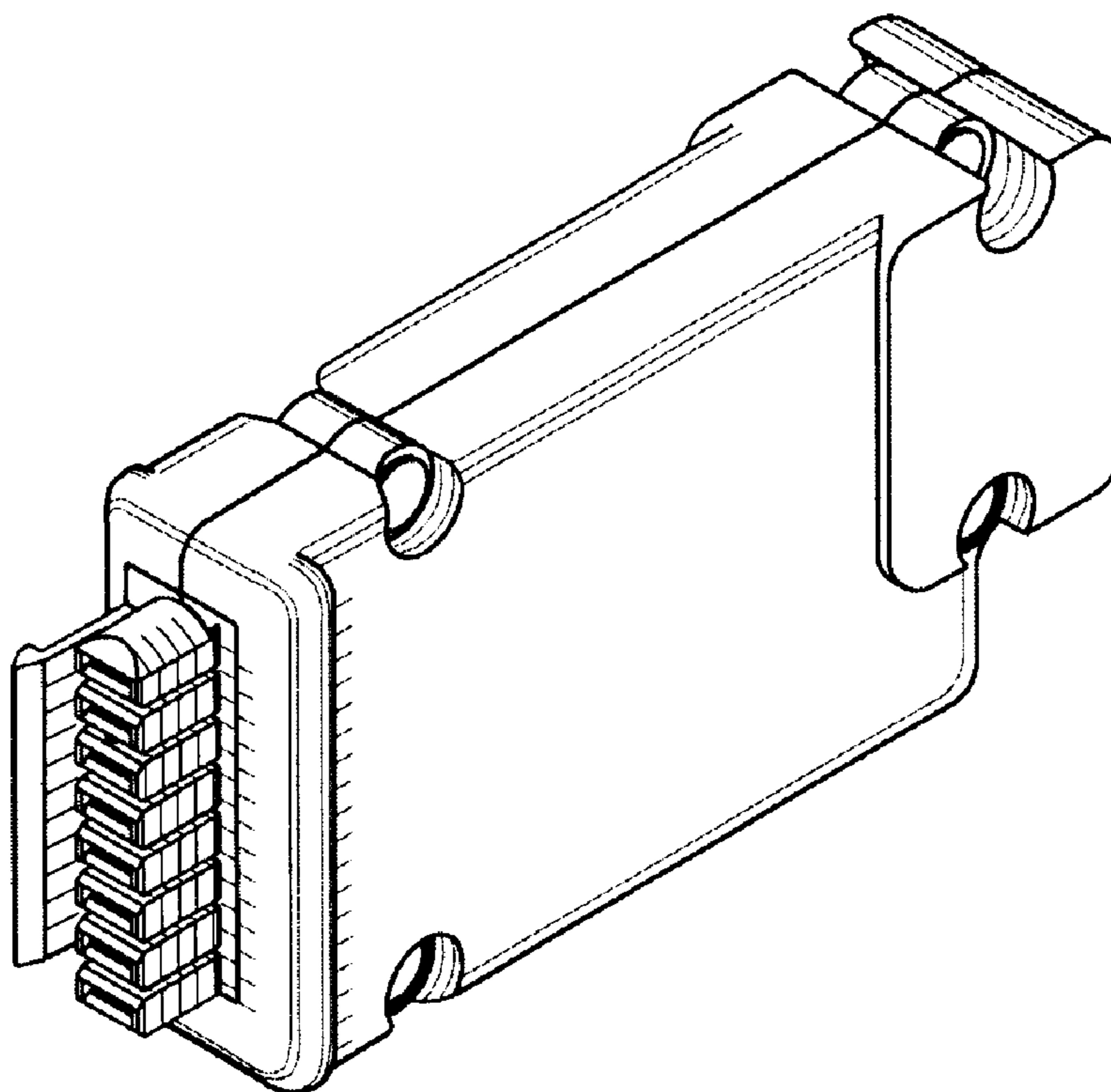
FIG. 5 is a perspective view of a second embodiment of my electrical connector keying arrangement in accordance with the invention;

FIG. 6 is an end view of the second embodiment of my electrical connector keying arrangement illustrated in FIG. 5;

FIG. 7 is a left-side elevation view of the second embodiment of my electrical connector keying arrangement illustrated in FIG. 5; and,

FIG. 8 is a plan view of the seconde embodiment of my electrical connector keying arrangement illustrated in FIG. 5.

**1 Claim, 2 Drawing Sheets**



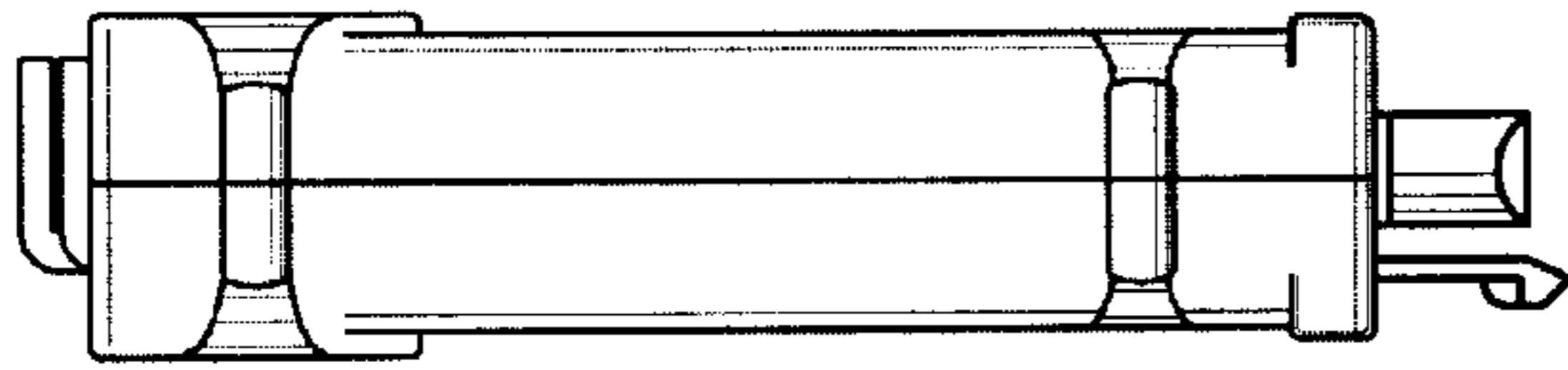


Fig. 4

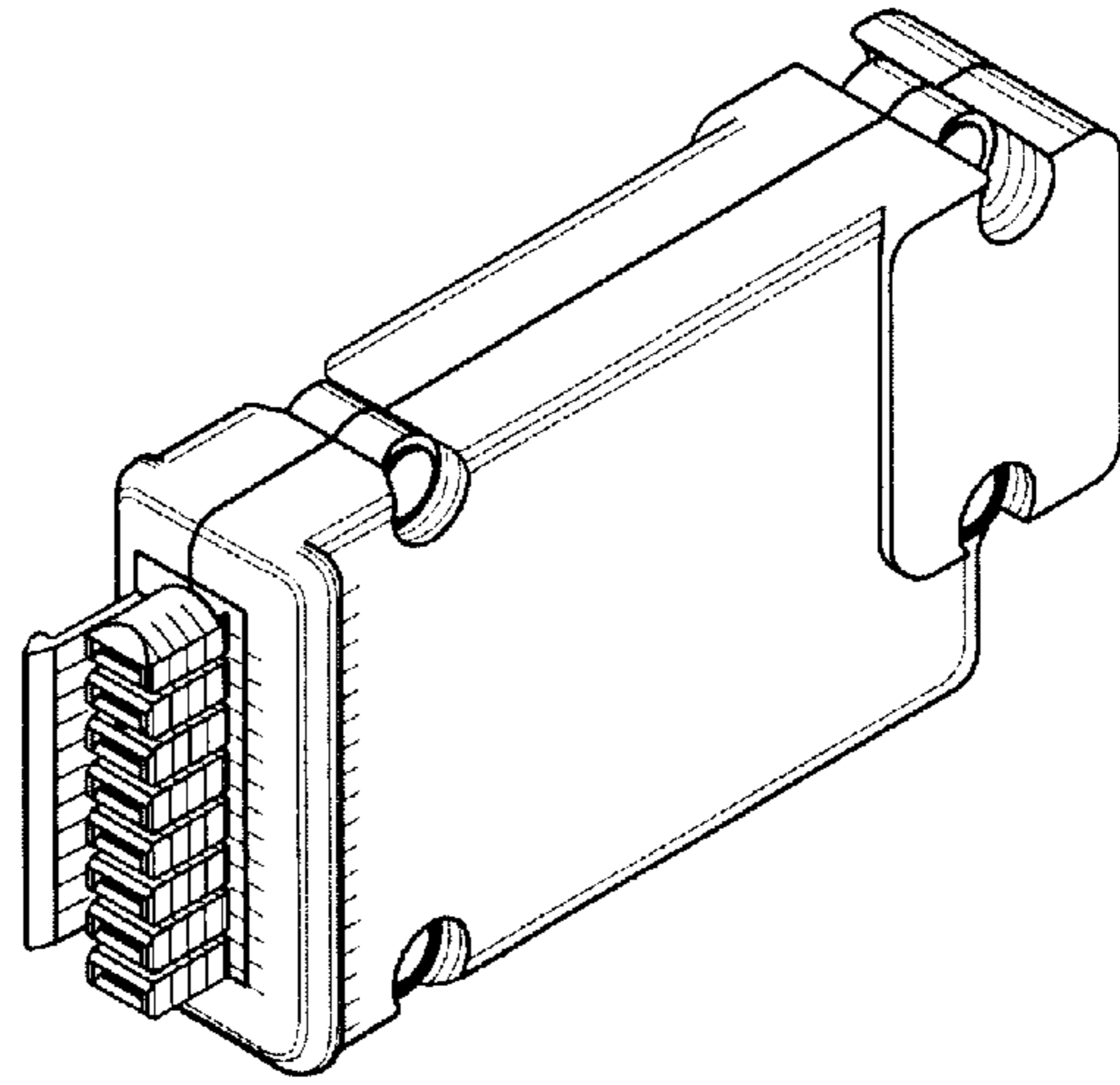


Fig. 1

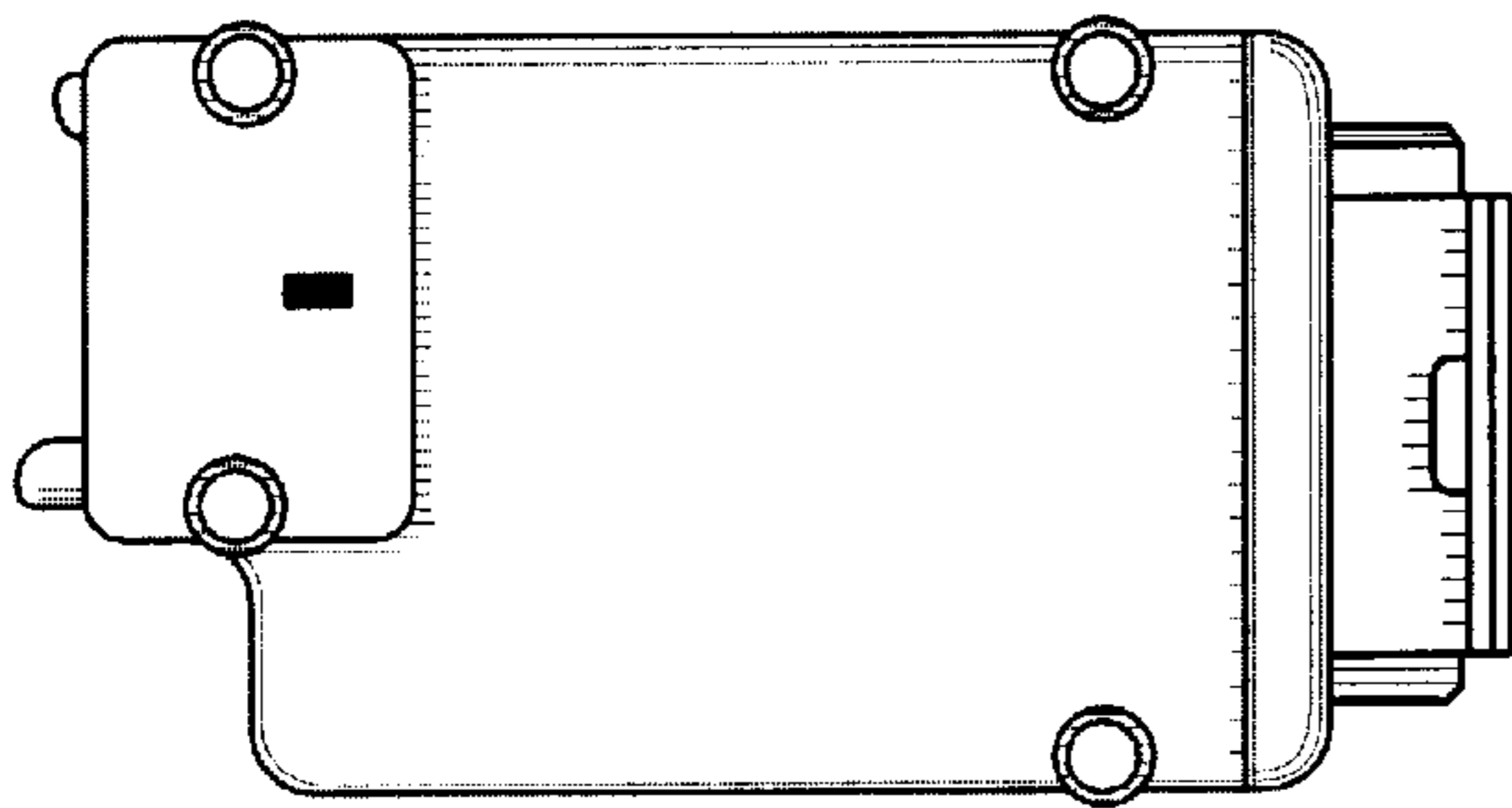


Fig. 3

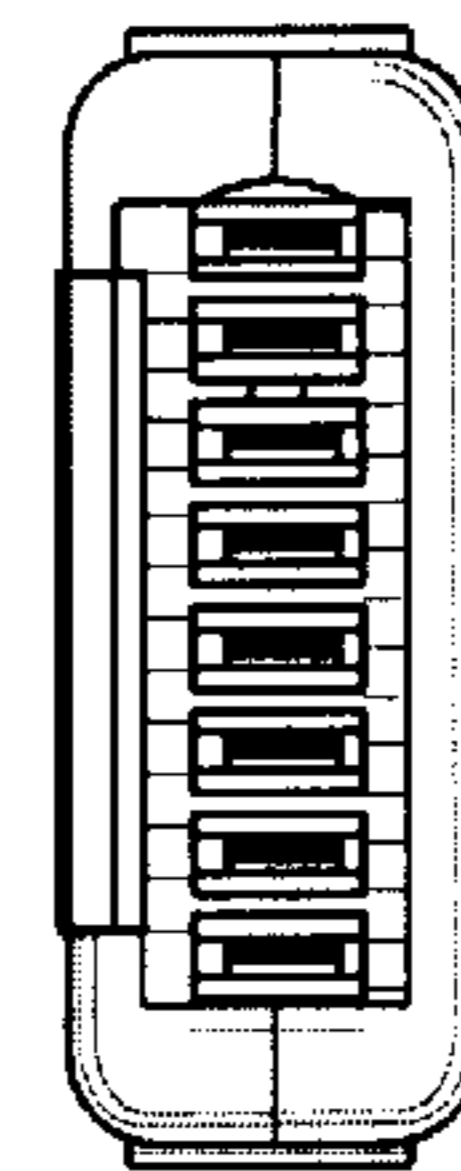


Fig. 2

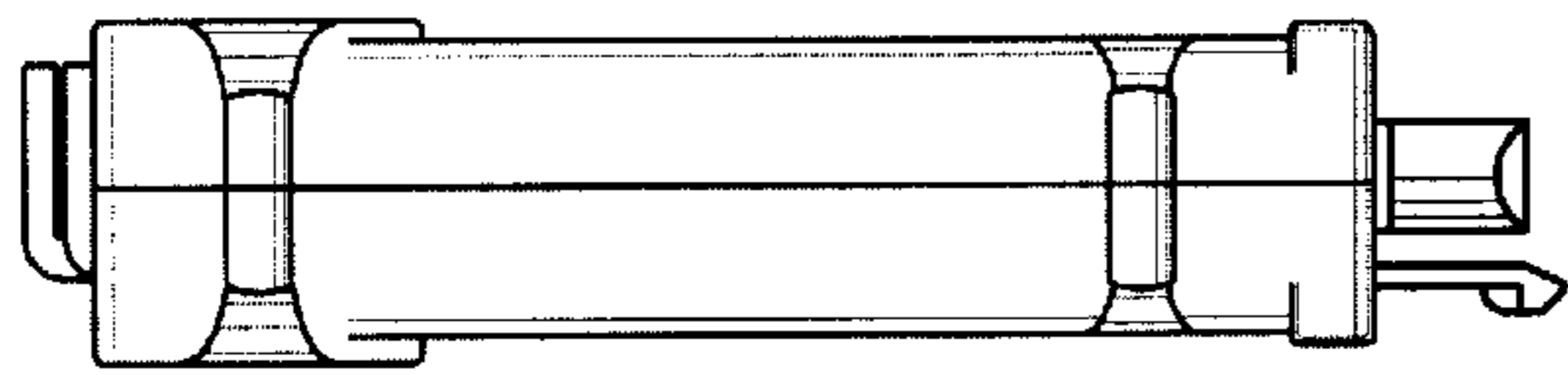


Fig. 8

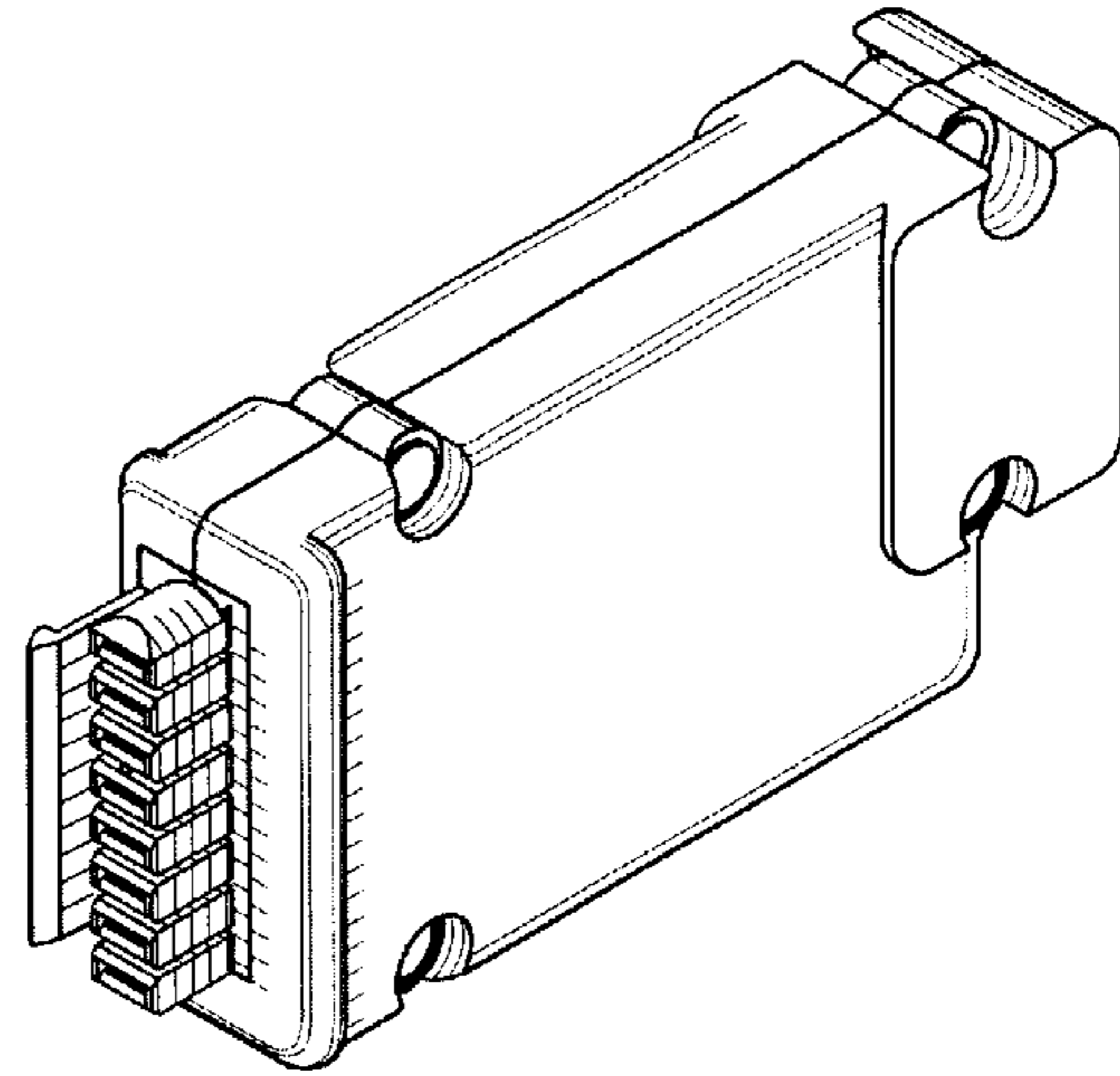


Fig. 5

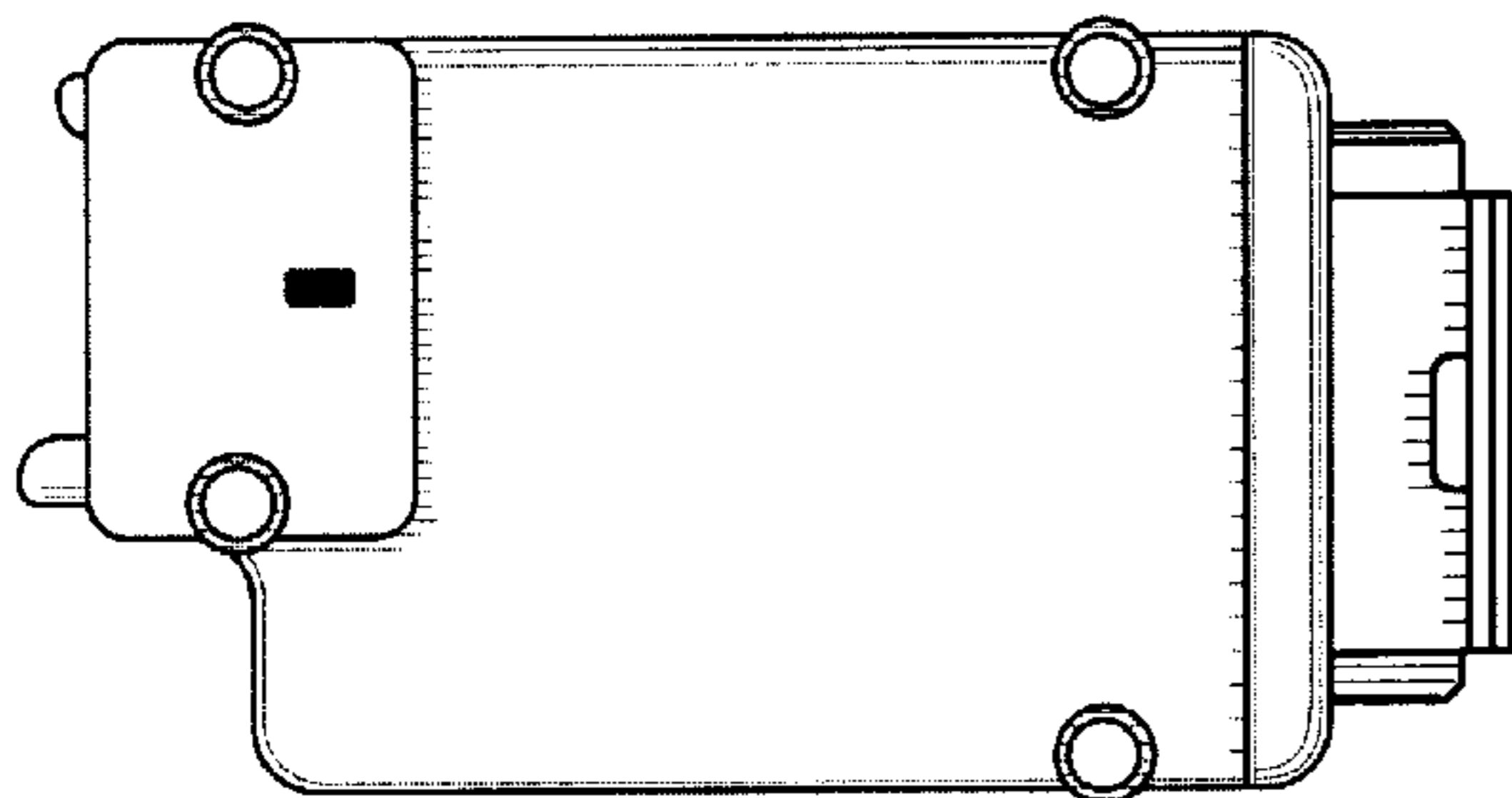


Fig. 7

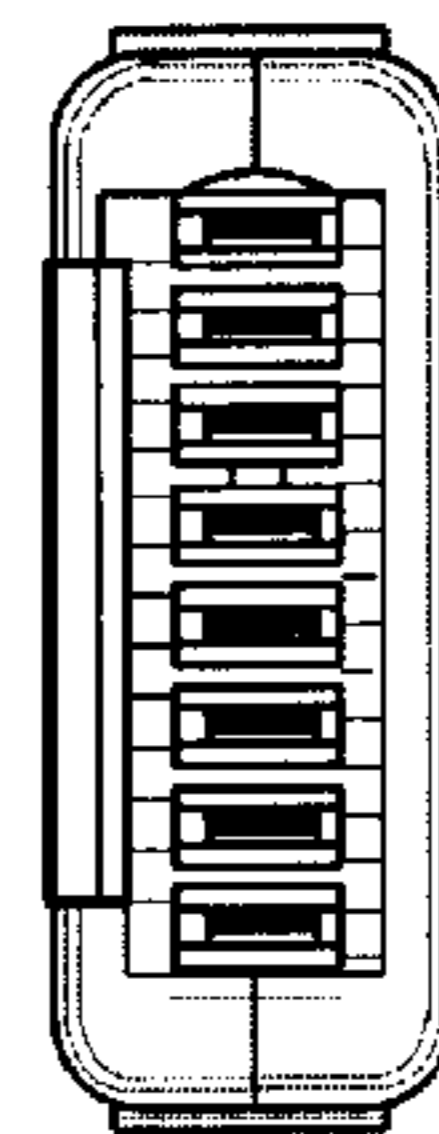


Fig. 6