

US00D500289S

(12) **United States Design Patent**
Byrne

(10) **Patent No.:** **US D500,289 S**
(45) **Date of Patent:** **** Dec. 28, 2004**

(54) **ELECTRICAL CONNECTOR KEYING ARRANGEMENT**

(76) Inventor: **Norman R. Byrne**, 2736 Honey Creek, NE., Ada, MI (US) 49301

(**) Term: **14 Years**

(21) Appl. No.: **29/182,693**

(22) Filed: **May 30, 2003**

(51) **LOC (7) Cl.** **13-03**

(52) **U.S. Cl.** **D13/147**

(58) **Field of Search** D13/146, 147;
385/53, 58, 71, 76, 77, 78; 439/171, 221,
284, 351, 352, 357, 358, 680, 681

(56) **References Cited**

U.S. PATENT DOCUMENTS

4,952,798	A	*	8/1990	Graham et al.	250/227.11
4,990,099	A	*	2/1991	Marin et al.	439/284
5,289,554	A	*	2/1994	Cubukciyan et al.	385/76
5,335,301	A	*	8/1994	Newman et al.	385/75
D474,746	S	*	5/2003	Rupert	D13/147

* cited by examiner

Primary Examiner—Stella Reid

Assistant Examiner—Selina Sikder

(74) *Attorney, Agent, or Firm*—Varnum, Riddering, Schmidt & Howlett LLP

(57) **CLAIM**

The ornamental design for an electrical connector keying arrangement, as shown and described.

DESCRIPTION

FIG. 1 is a perspective view of a first embodiment of my electrical connector keying arrangement in accordance with the invention;

FIG. 2 is an end view of the embodiment of my electrical connector keying arrangement illustrated in FIG. 1;

FIG. 3 is a left-side elevation view of the first embodiment of my electrical connector keying arrangement illustrated in FIG. 1;

FIG. 4 is a plan view of the first embodiment of my electrical connector keying arrangement illustrated in FIG. 1;

FIG. 5 is a perspective view of a second embodiment of my electrical connector keying arrangement in accordance with the invention;

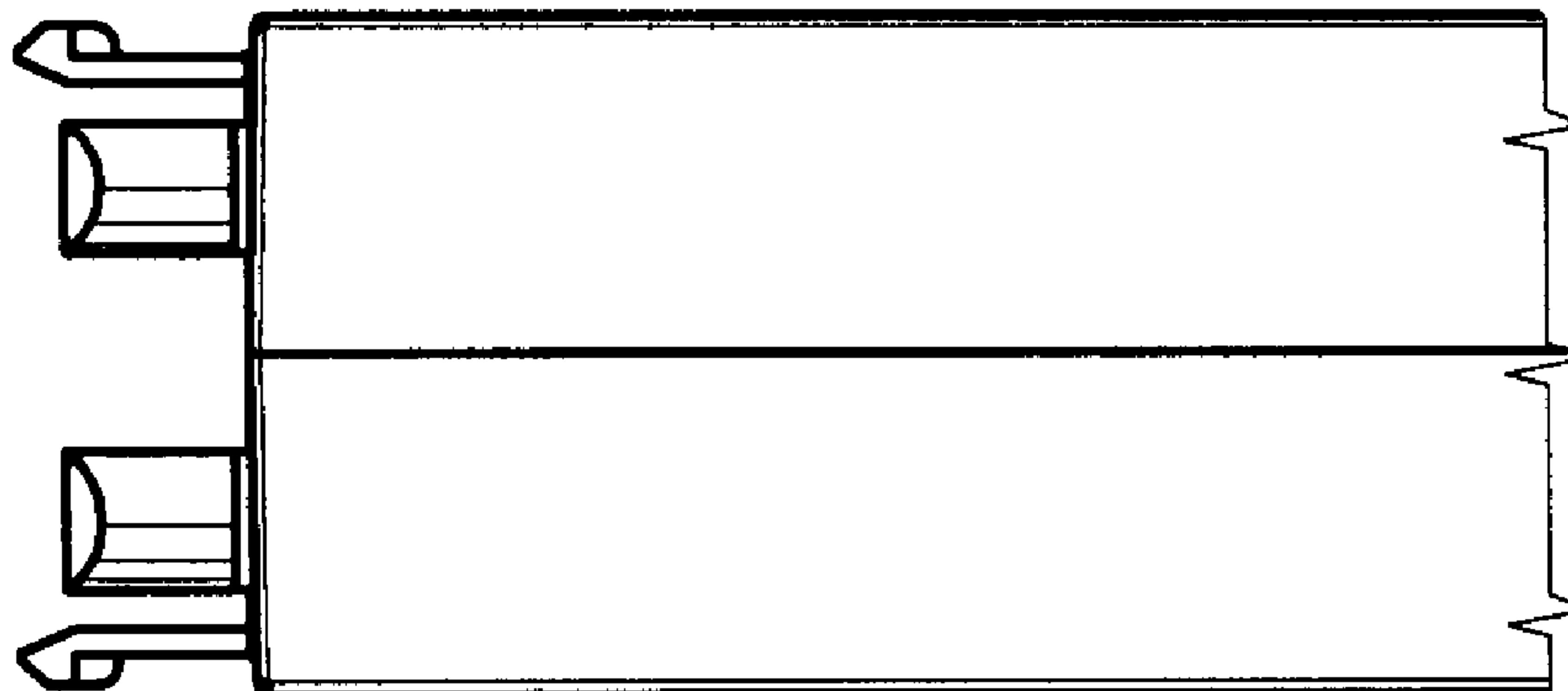
FIG. 6 is an end view of the second embodiment of my electrical connector keying arrangement illustrated in FIG. 5;

FIG. 7 is a left-side elevation view of the second embodiment of my electrical connector keying arrangement illustrated in FIG. 5; and,

FIG. 8 is a plan view of the second embodiment of my electrical connector keying arrangement illustrated in FIG. 5.

The broken lines illustrated in the accompanying drawings define the bounds of the claimed design.

1 Claim, 2 Drawing Sheets



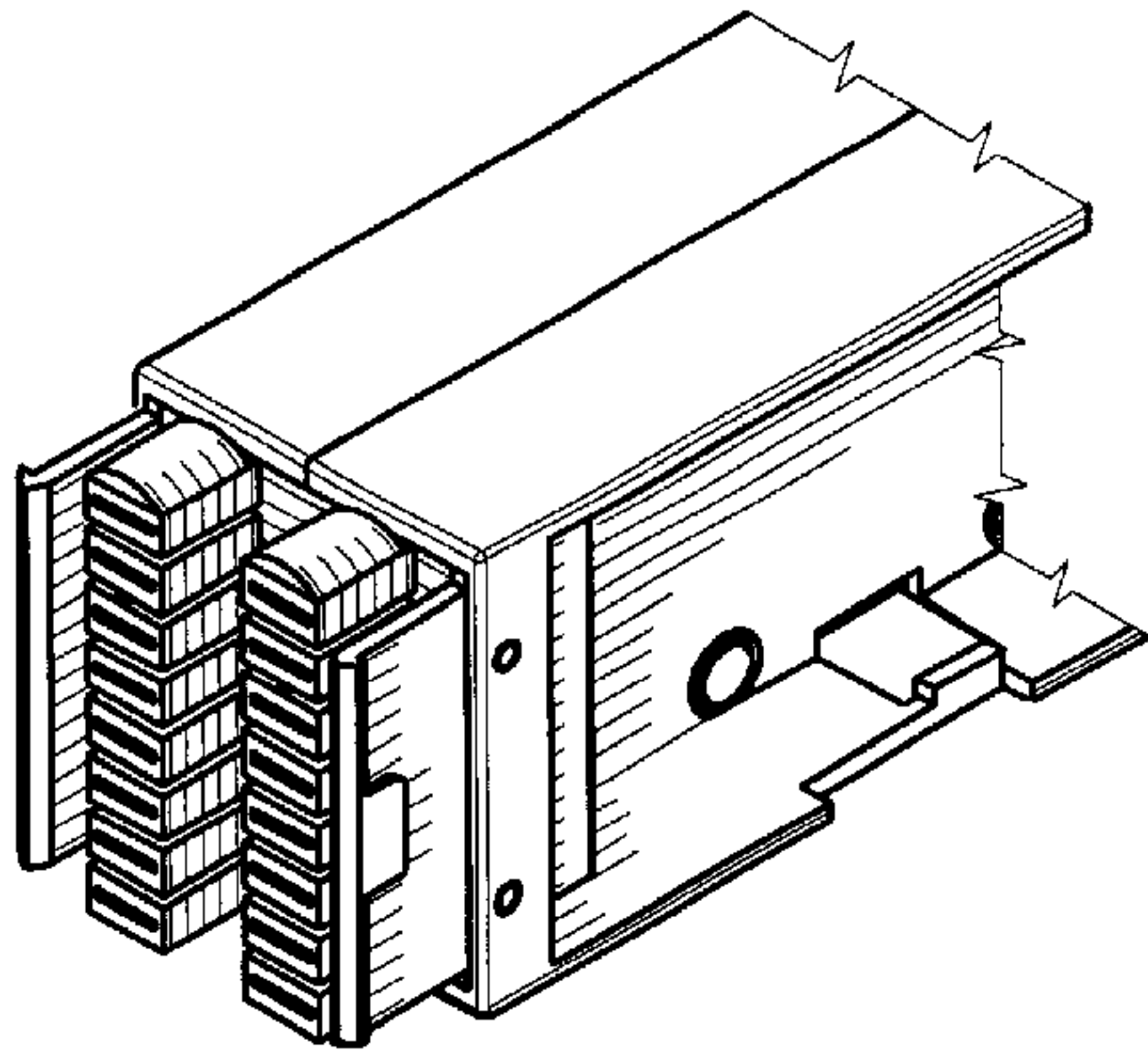


Fig. 4

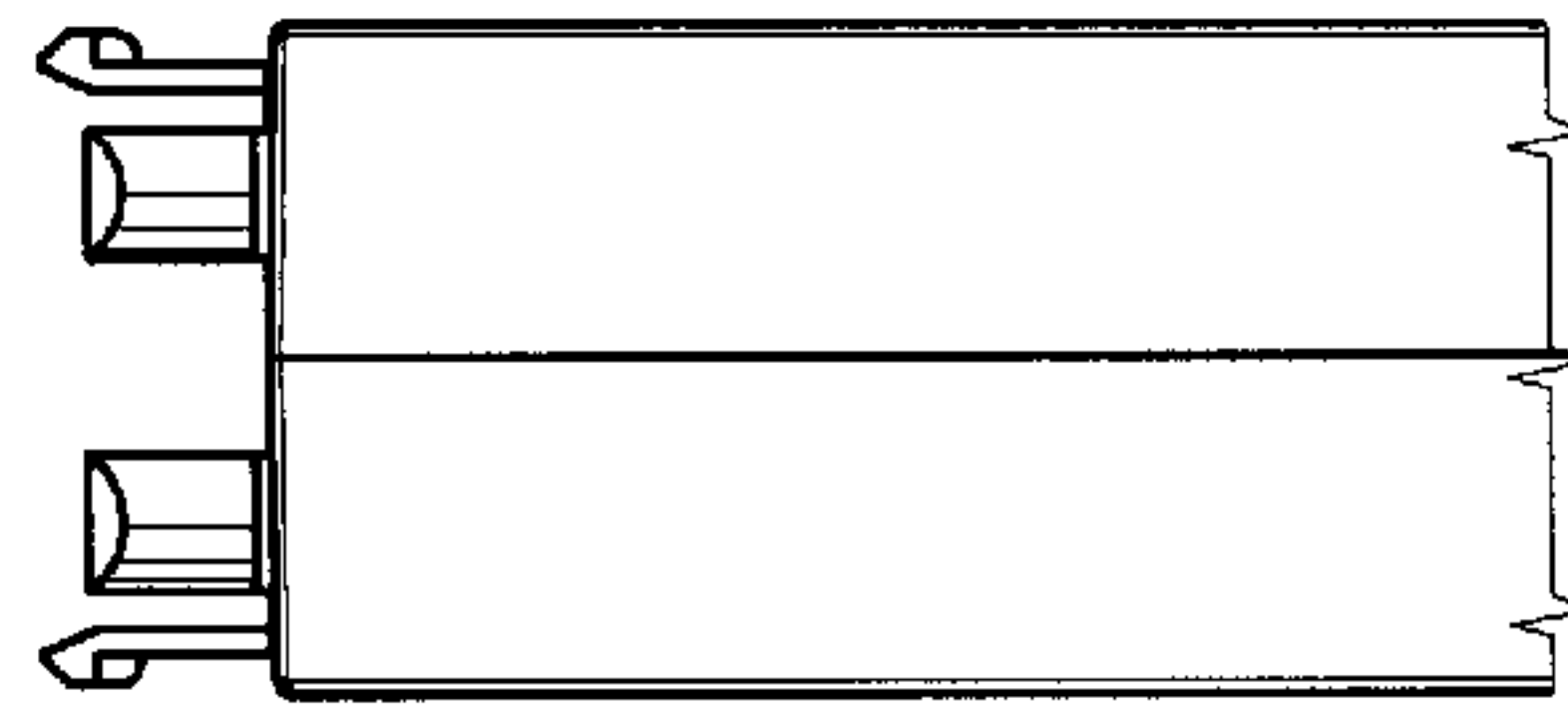


Fig. 1

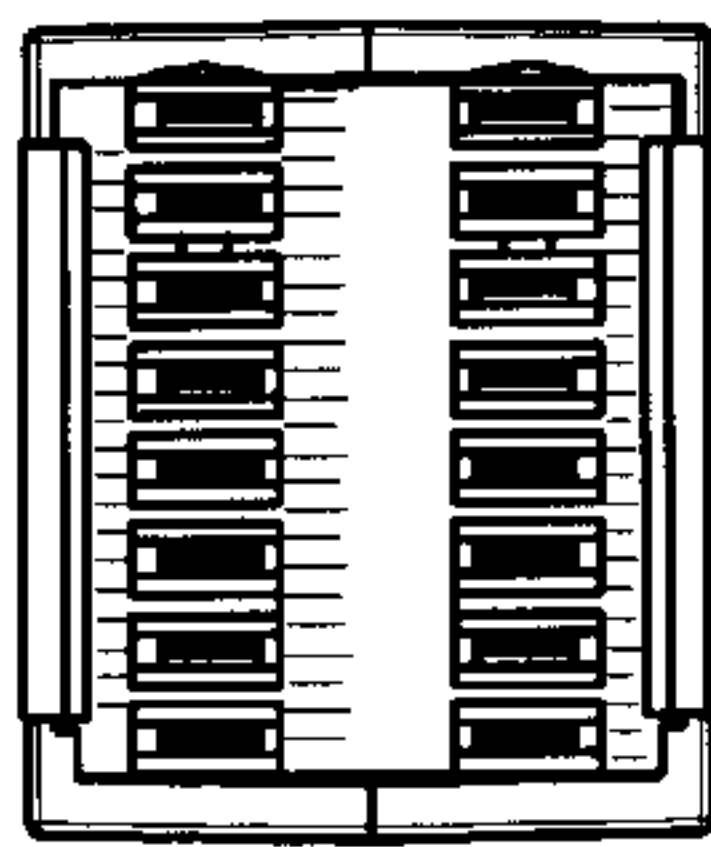


Fig. 3

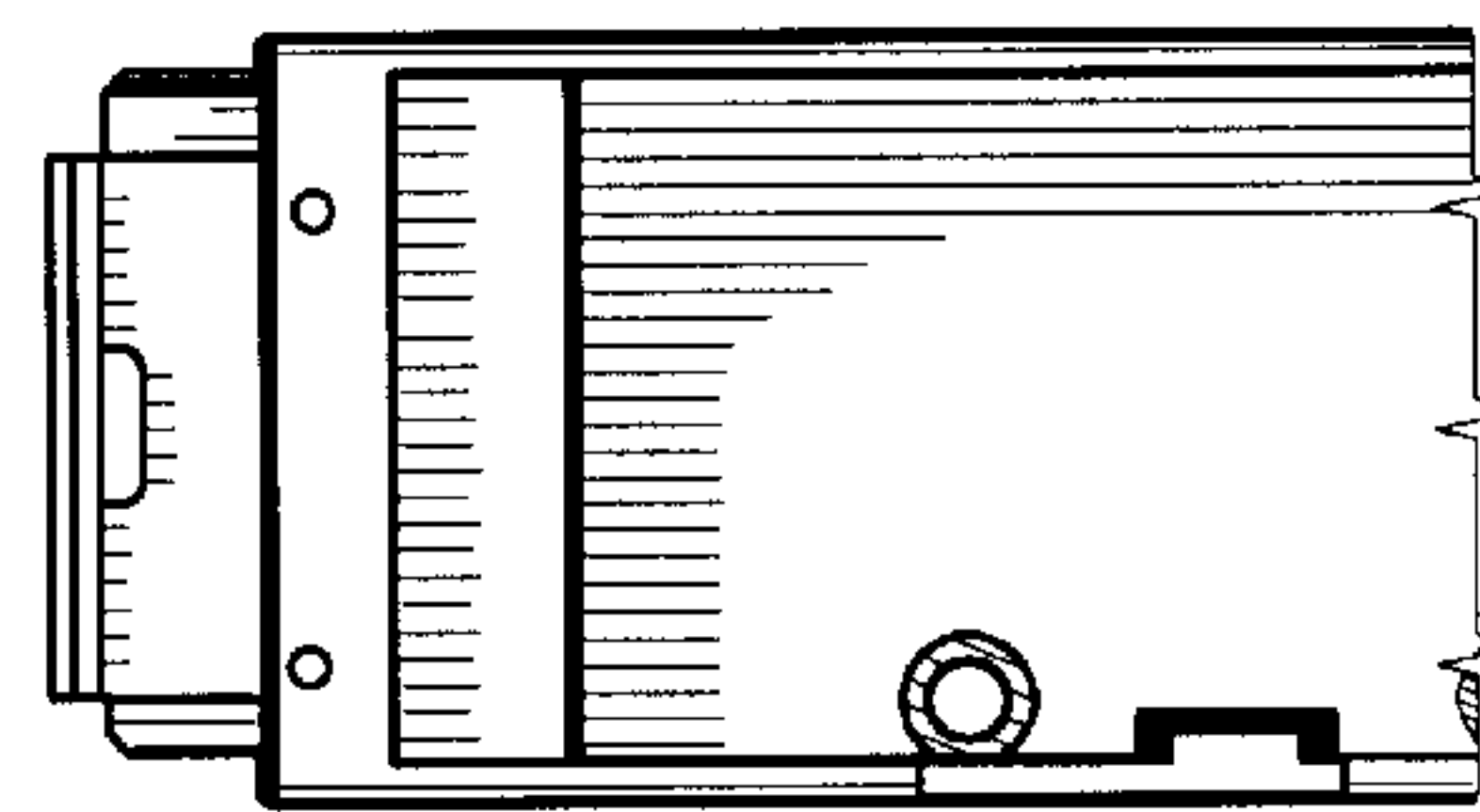


Fig. 2

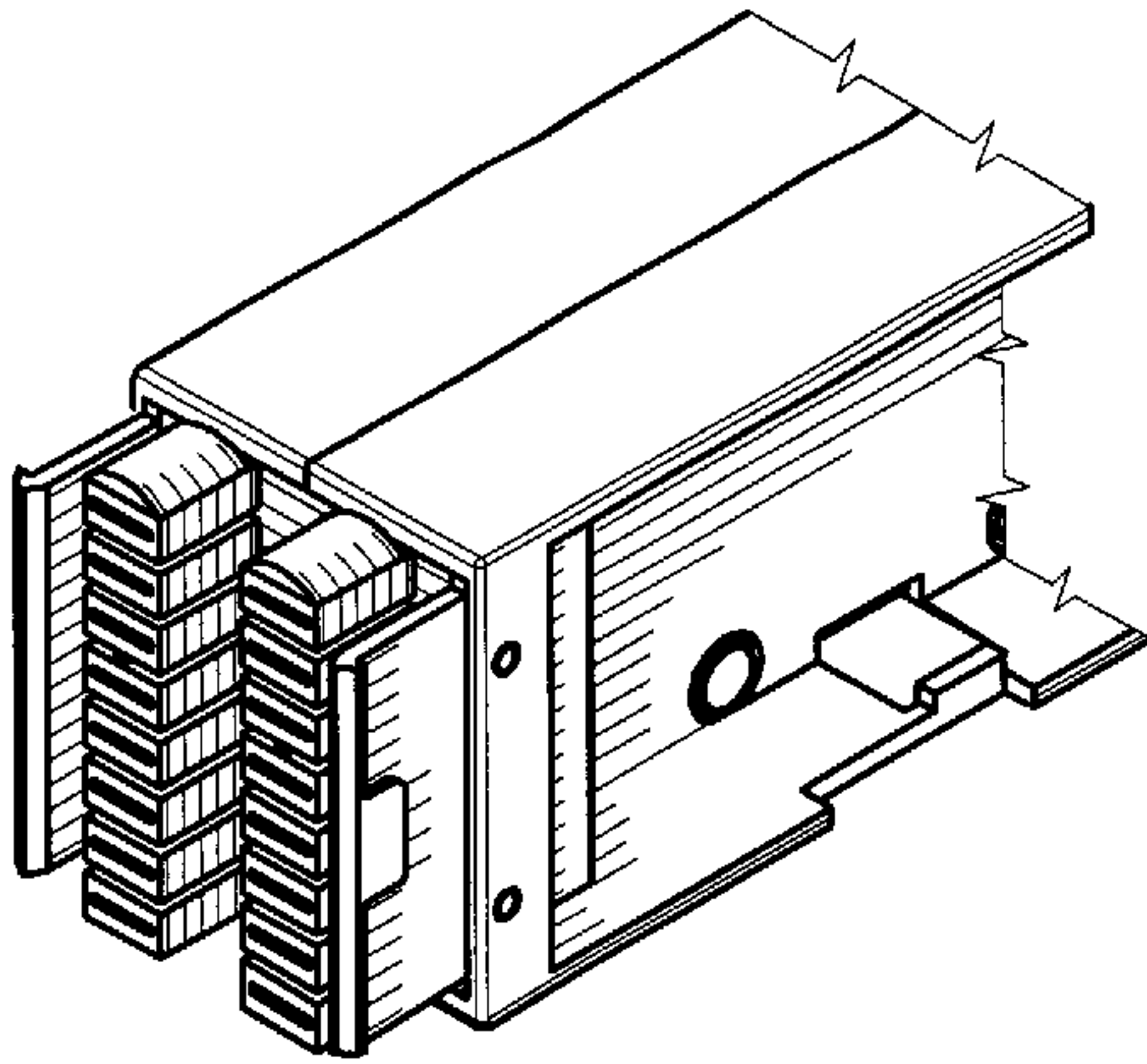


Fig. 8

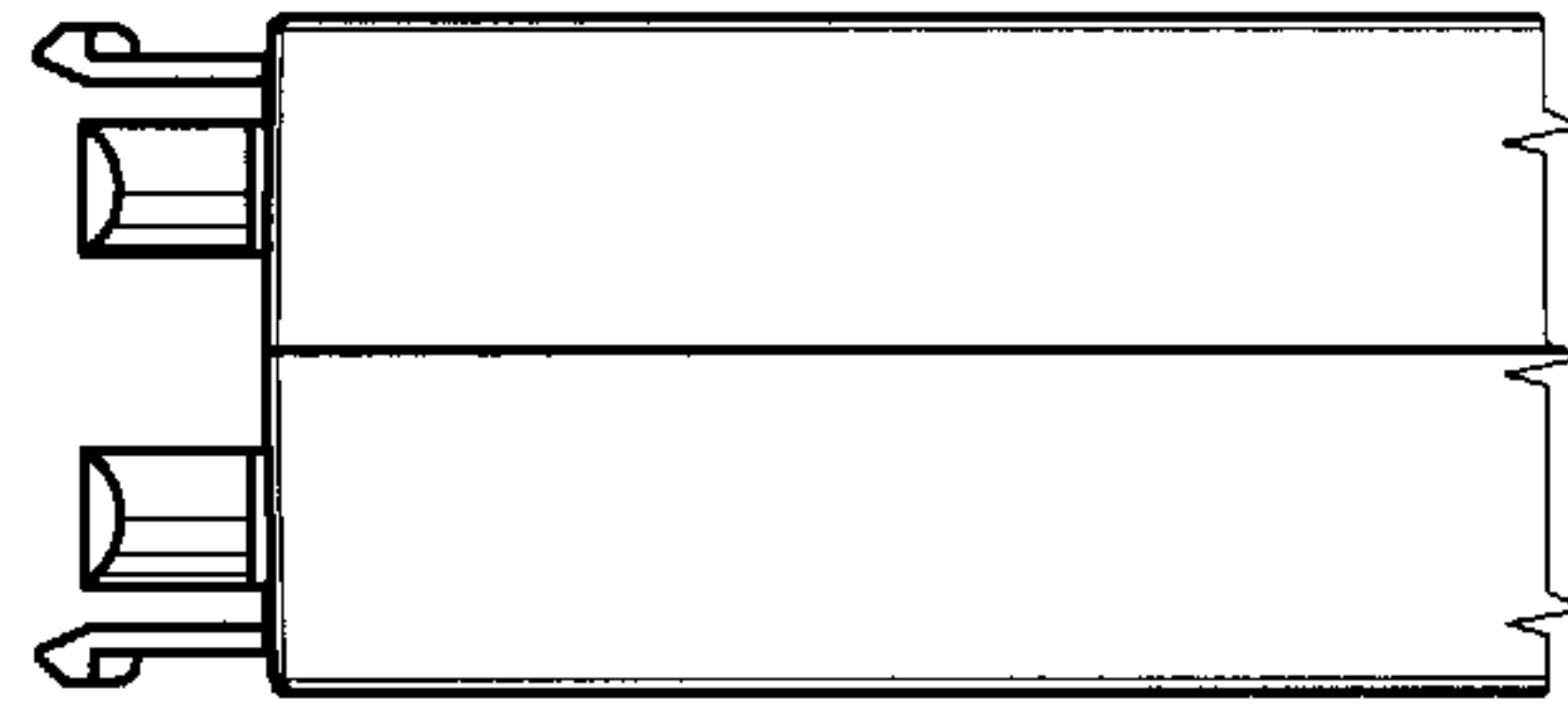


Fig. 5

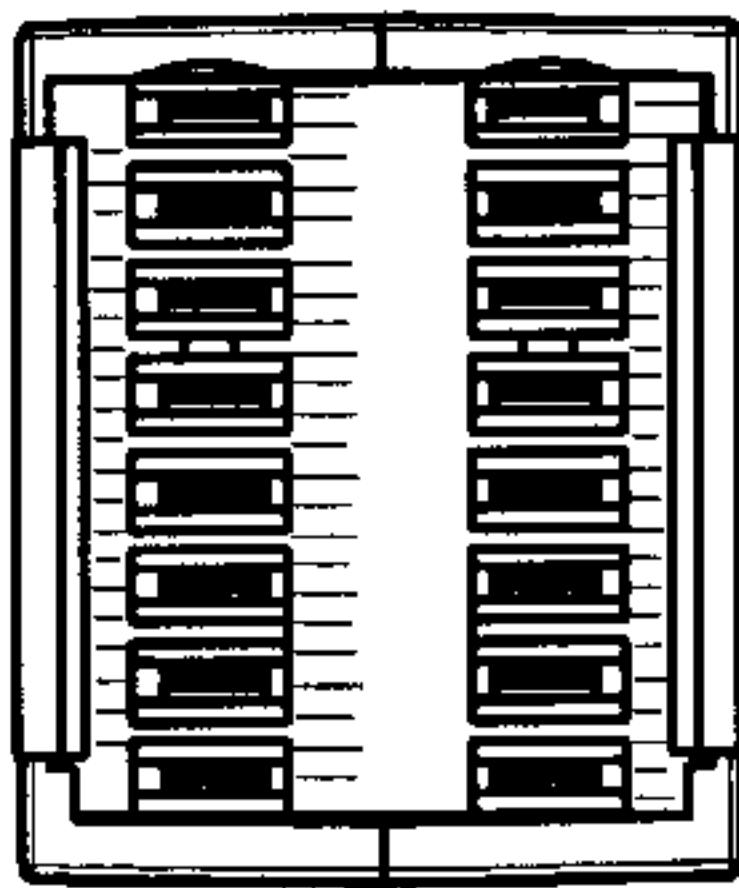


Fig. 7

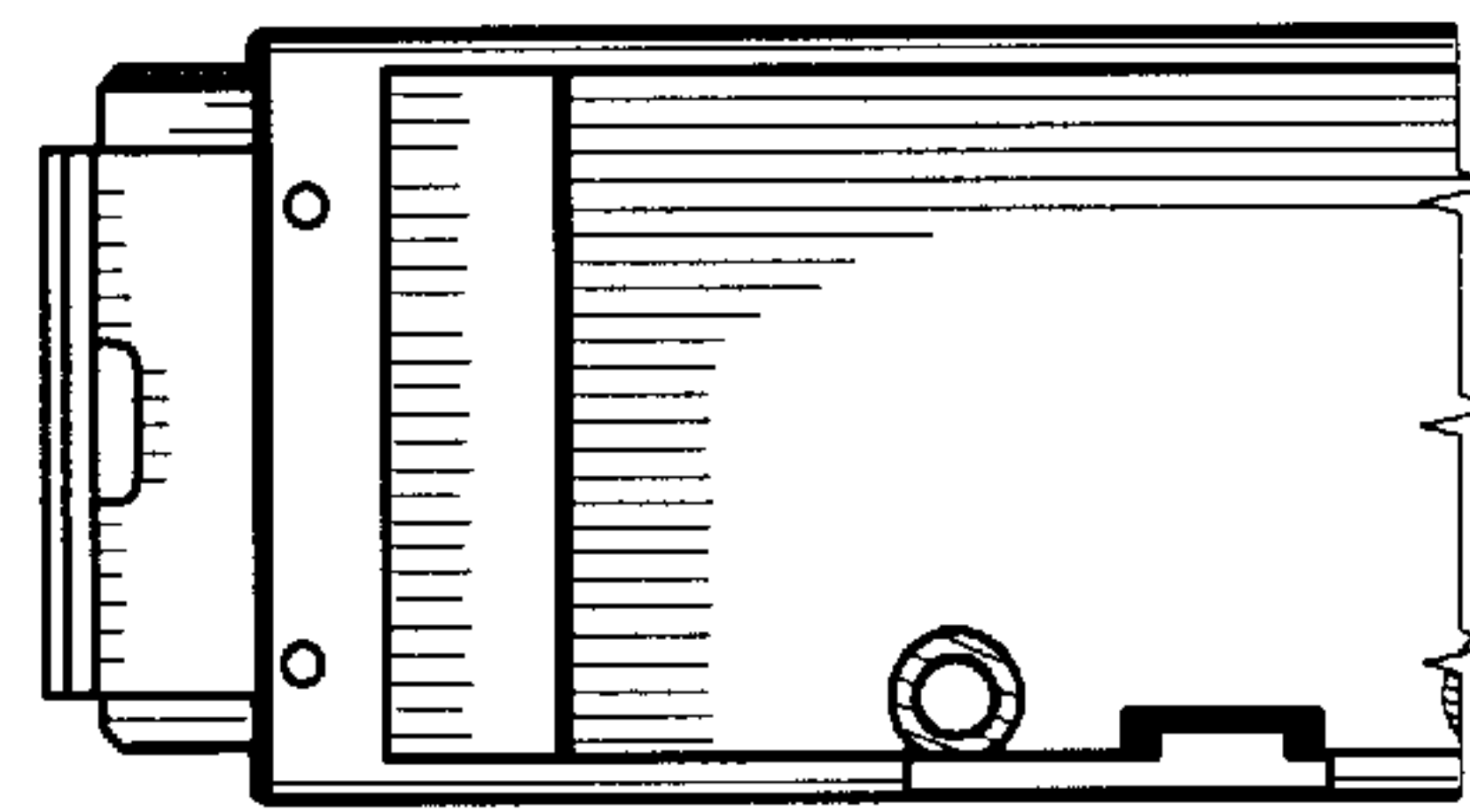


Fig. 6