

US00D500284S

(12) **United States Design Patent**
Clark

(10) **Patent No.:** **US D500,284 S**
(45) **Date of Patent:** **** Dec. 28, 2004**

- (54) **AUTOMOBILE CONSOLE**
- (75) **Inventor:** **Brian E. Clark, Keizer, OR (US)**
- (73) **Assignee:** **Auto Additions Inc., Brooks, OR (US)**
- (**) **Term:** **14 Years**

- 6,123,377 A 9/2000 Lecher et al.
- D434,365 S 11/2000 Herer et al.
- D437,299 S 2/2001 Johnson
- D438,841 S 3/2001 Smith
- D443,246 S 6/2001 Smith
- D443,855 S 6/2001 Herer et al.
- D447,998 S 9/2001 Pfeiffer et al.
- D453,318 S 2/2002 Moore

- (21) **Appl. No.:** **29/166,632**
- (22) **Filed:** **Aug. 30, 2002**

- (51) **LOC (7) Cl.** **12-16**
- (52) **U.S. Cl.** **D12/415**
- (58) **Field of Search** **D12/415-426;**
D14/137, 124, 217, 299, 496; 211/71; 312/7.1;
224/42.42, 281; 248/917, 352; 296/37.8,
24.1, 208, 37.14, 190-191; 180/43-46,
315; D13/162, 313, 184, 199; 108/44

OTHER PUBLICATIONS

Consolidator Consoles & Computer Mounts brochure, Havis-Shields Equipment Corporation, Aug. 1996.
1998 Solutions Manual, Gamber-Johnson, pp. 4-17, 19-24, 38, 40, 46-48, 50-53, 55, 67, 69 & 71, 1998.
The Mounting Guide 3rd Edition brochure, Stewart Products, Inc., 1998-1999.
Assembled Products Corporation flyer showing vehicle equipment consoles; flyer is apparently dated Mar. 22, 2001, publication date unknown.

(56) **References Cited**

U.S. PATENT DOCUMENTS

- D213,447 S * 3/1969 Small D12/415
- D218,438 S 8/1970 Shook et al.
- 3,550,001 A 12/1970 Hanley
- D233,428 S * 10/1974 Hestand D12/415
- 3,984,161 A 10/1976 Johnson
- D246,969 S * 1/1978 Mease D12/415
- D249,262 S * 9/1978 Neece D12/415
- D279,329 S 6/1985 Dzak
- D279,426 S * 7/1985 Dzak D12/415
- 4,733,900 A 3/1988 Fluharty
- 4,846,382 A 7/1989 Foultnier et al.
- D309,059 S * 7/1990 Bledsoe D12/415
- 5,005,898 A 4/1991 Benedetto et al.
- 5,174,621 A 12/1992 Anderson
- 5,181,555 A 1/1993 Chruniak
- 5,199,772 A 4/1993 Jordan
- 5,282,556 A 2/1994 Bossert
- D363,916 S 11/1995 Johnson
- 6,048,020 A 4/2000 Gronowicz et al.
- D425,475 S 5/2000 Herer
- 6,086,129 A 7/2000 Gray
- D429,209 S 8/2000 Inchaurregui
- D429,684 S 8/2000 Johnson

(List continued on next page.)

Primary Examiner—Stacia Cadmus
(74) *Attorney, Agent, or Firm*—Kolisch Hartwell, P.C.

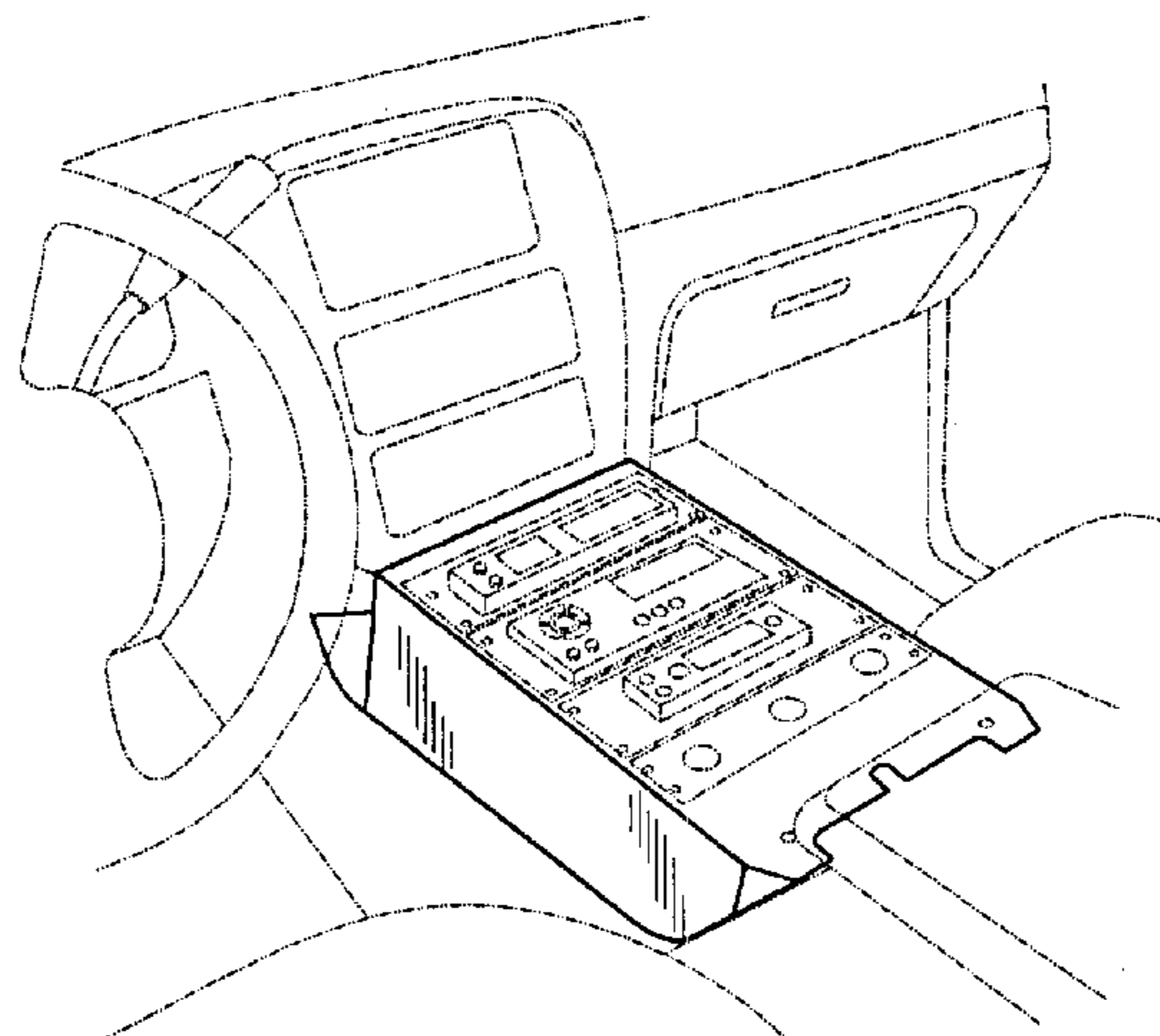
(57) **CLAIM**

The ornamental design for automobile console, as shown and described.

DESCRIPTION

FIG. 1 is a perspective view of the automobile console showing my design, shown in its position of use;
FIG. 2 is another perspective view of FIG. 1;
FIG. 3 is a top plan view of FIG. 1;
FIG. 4 is a bottom plan view of FIG. 1;
FIG. 5 is a side elevation view of FIG. 1;
FIG. 6 is a front elevation view of FIG. 1; and,
FIG. 7 is a rear elevation view of FIG. 1.
The console is shown on an enlarged scale in FIGS. 2-7 as compared with FIG. 1.
The broken line showing of environment is for illustrative purposes only and forms no part of the claimed design.

1 Claim, 3 Drawing Sheets



OTHER PUBLICATIONS

Assembled Products Corporation flyer showing vehicle equipment consoles (Model CC-I); flyer is apparently dated Apr. 18, 2001, publication date unknown.

Assembled Products Corporation flyer showing vehicle equipment consoles (Model SC-GE); flyer is apparently dated Apr. 18, 2001, publication date unknown.

Assembled Products Corporation flyer showing vehicle equipment consoles (Model CC-CVCC); flyer is apparently dated May 3, 2001, publication date unknown.

Assembled Products Corporation flyer showing vehicle equipment consoles (Model SC-L); flyer is apparently dated May 3, 2001, publication date unknown.

Assembled Products Corporation flyer showing vehicle equipment consoles (Model CC-EX); flyer is apparently dated Jul. 5, 2001, publication date unknown.

"Air Bag Compatible" Command Consoles flier (2 pages), Troy Products, publication date unknown.

Troy Products Price List (4 pages), Troy Products, list is apparently dated Dec. 15, 1992, publication date unknown.

Troy Products CC-C06 Instructions (4 pages), Troy Products, publication date unknown.

Control-Com Consoles and price list (6 pages), price list is apparently dated Jan. 1998, publication date unknown.

Buying Cheap Equipment Is Like Shooting Yourself In The Foot brochure (7 pages), Troy Products, 1995 copyright notice, publication date unknown.

Consolidator New Consoles and Computer Mounts brochure (4 pages); Havis-Shields Equipment Corporation, 1999 copyright notice, publication date unknown.

Troy Public Safety Products flier (1 page), Troy Products, 1993 copyright notice, publication date unknown.

"Air Bag Compatible" Command Console and miscellaneous promotional materials (5 pages), publication date unknown.

Havis-Shields end-user parts and pricing guide (16 pages), Havis-Shields Equipment Corporation, guide is apparently dated Jan. 1, 1999, publication date unknown.

* cited by examiner

Fig. 1

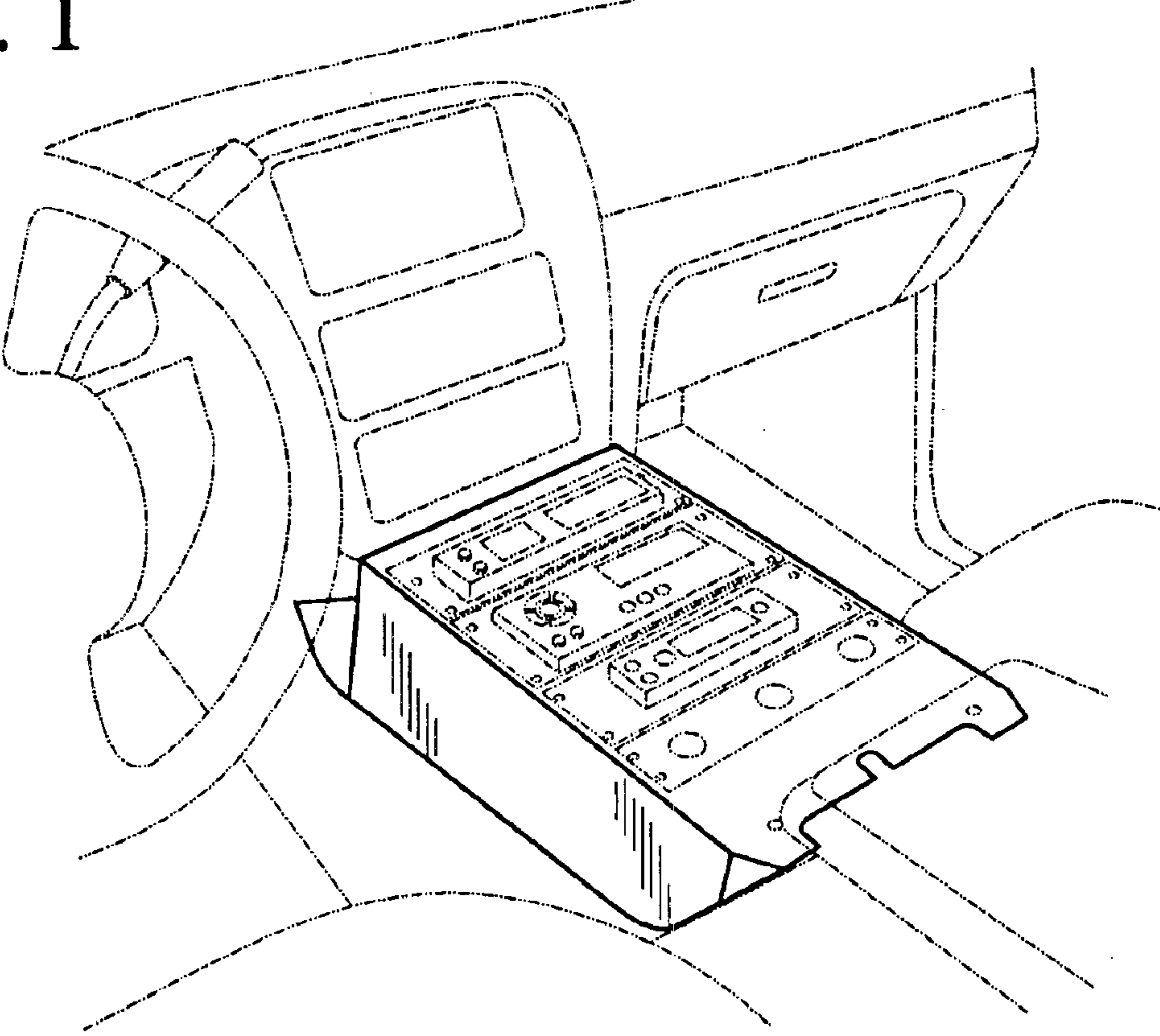


Fig. 2

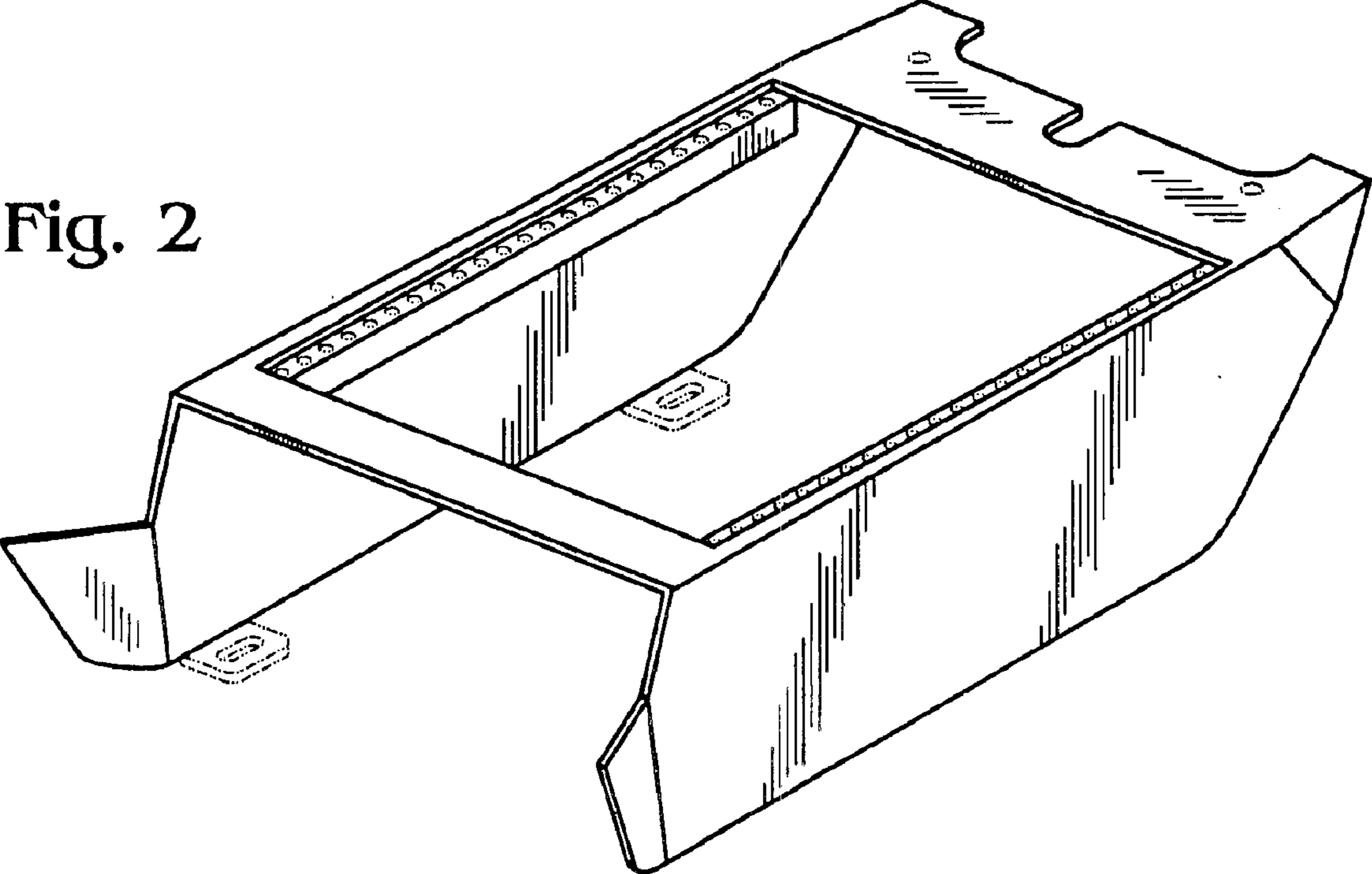


Fig. 3

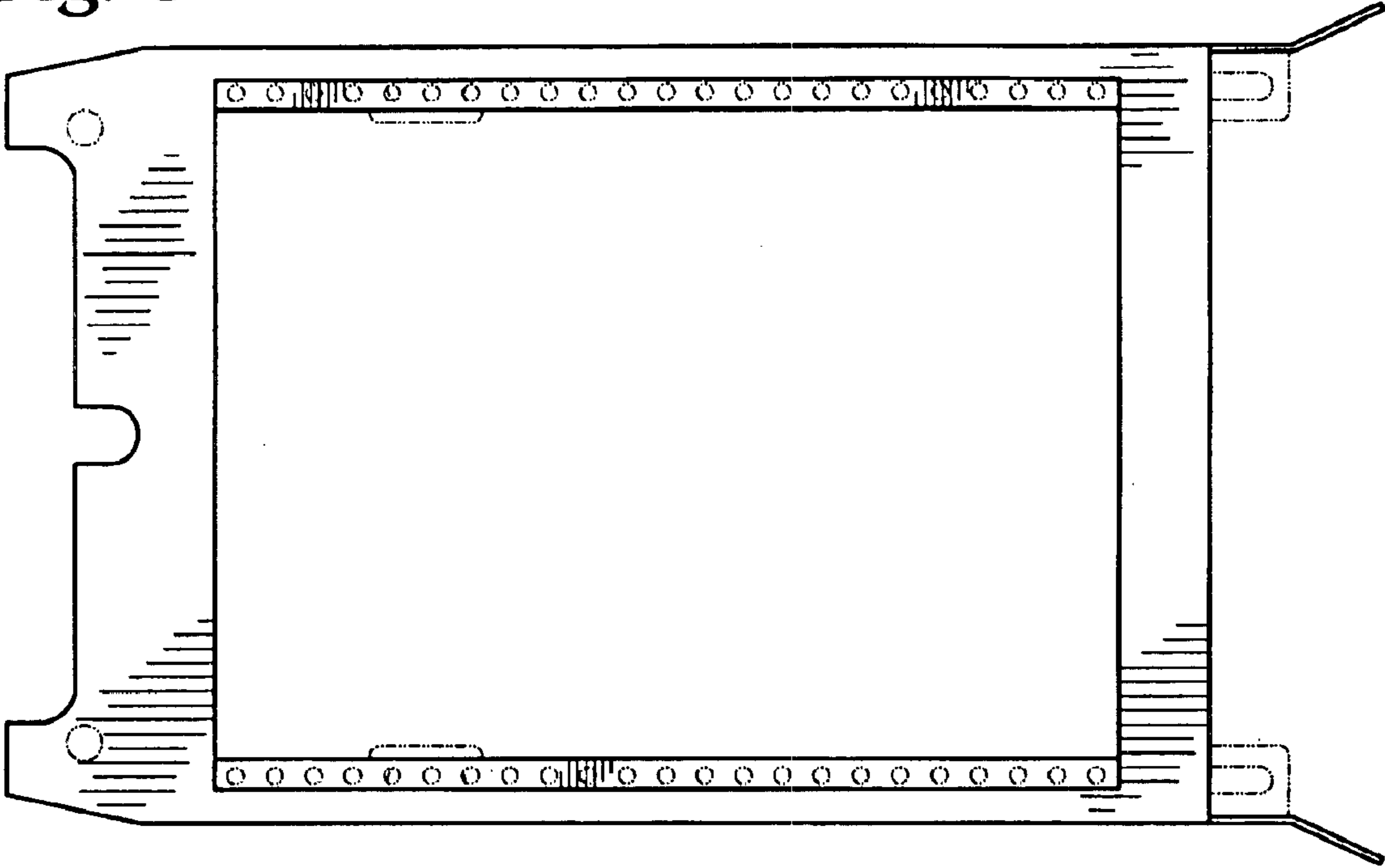


Fig. 4

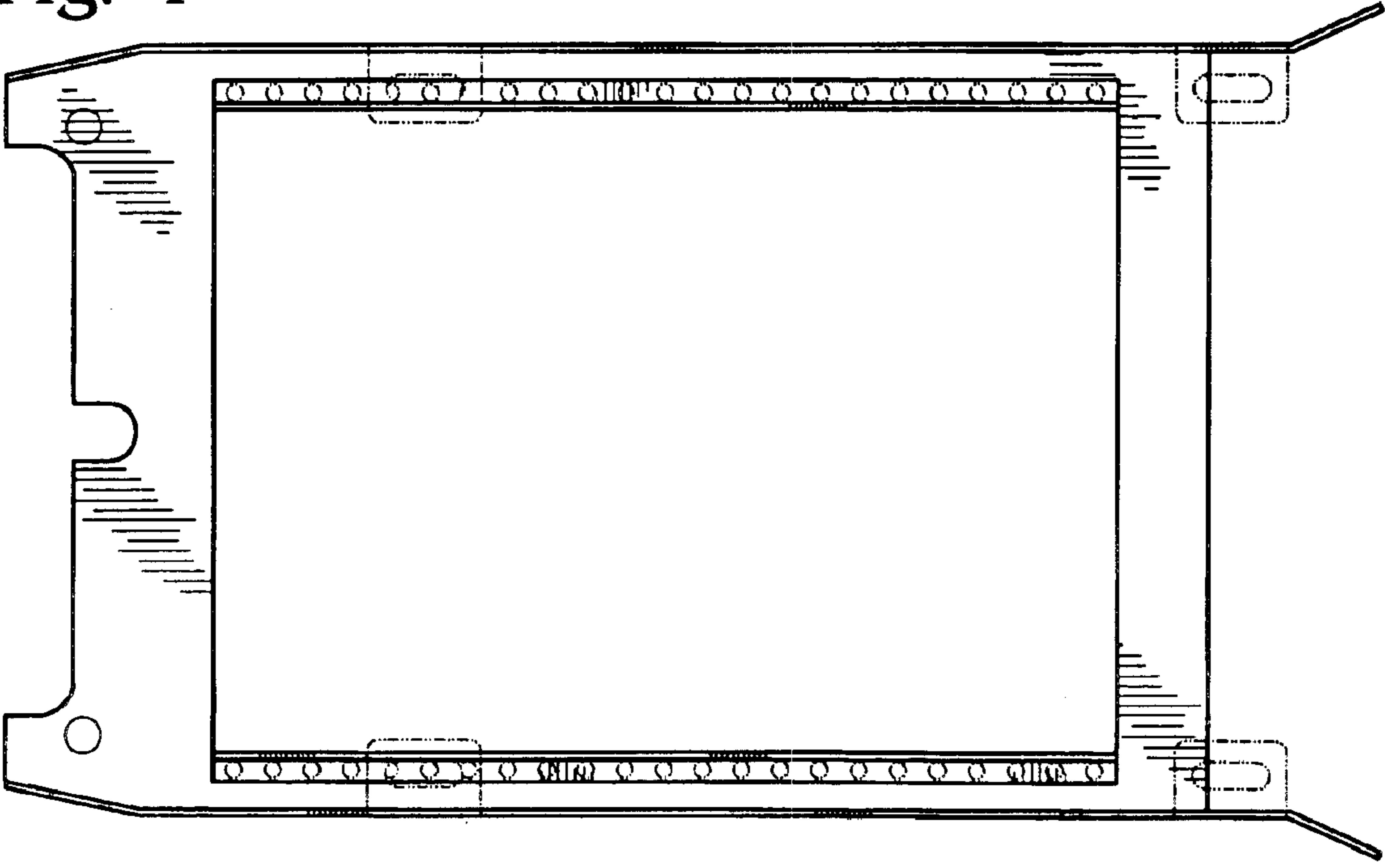


Fig. 5

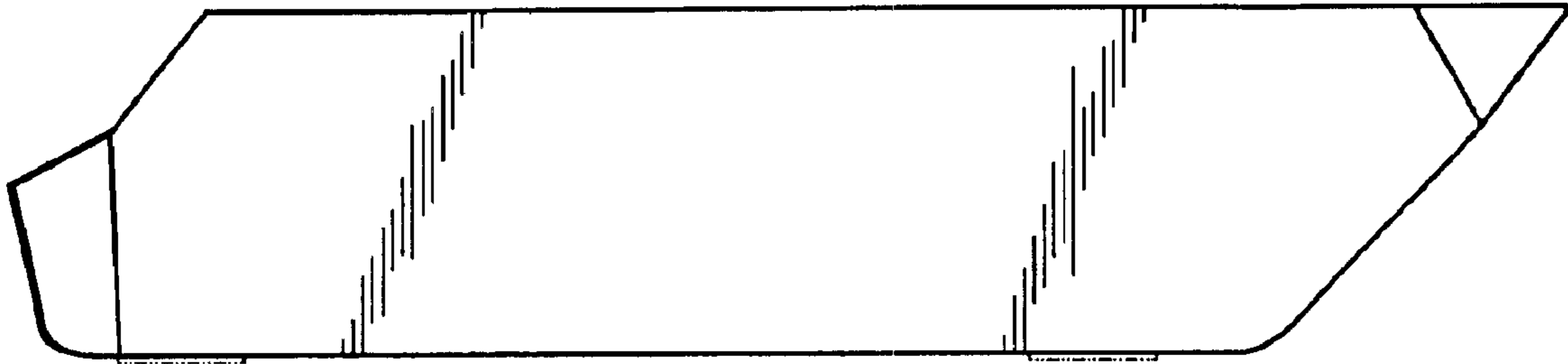


Fig. 6



Fig. 7

