

US00D500279S

(12) **United States Design Patent**
Kataoka

(10) **Patent No.:** **US D500,279 S**

(45) **Date of Patent:** **** Dec. 28, 2004**

(54) **WHEEL**

(75) **Inventor:** **Tatsuya Kataoka, Gunma (JP)**

(73) **Assignee:** **Rimtech Inc., Gardena, CA (US)**

(**) **Term:** **14 Years**

(21) **Appl. No.:** **29/206,747**

(22) **Filed:** **Jun. 3, 2004**

(51) **LOC (7) Cl. 12-16**

(52) **U.S. Cl. D12/211**

(58) **Field of Search D12/204-213;**
301/37.101, 64.101, 65

D481,343 S	10/2003	Kang	
D481,347 S	10/2003	Kang	
D481,348 S	10/2003	Kang	
D481,984 S	* 11/2003	Sulahian D12/211
D484,083 S	* 12/2003	Tai D12/211
D487,420 S	3/2004	Kang	
D490,040 S	* 5/2004	Foose D12/211
D493,133 S	* 7/2004	Bernoni D12/211

* cited by examiner

Primary Examiner—Stacia Cadmus

(74) *Attorney, Agent, or Firm*—Park & Sutton LLP; John K. Park

(57) **CLAIM**

The ornamental design for a wheel, as shown and described.

DESCRIPTION

FIG. 1 is a perspective view of a wheel showing my new design; and,

FIG. 2 is a front elevational view of FIG. 1.

The broken line showing of environment is for illustrative purposes only and forms no part of the claimed design.

1 Claim, 2 Drawing Sheets

(56) **References Cited**

U.S. PATENT DOCUMENTS

D56,898 S	*	1/1921	Slothoff	D12/211
D416,534 S	*	11/1999	Couzyn et al.	D12/211
D458,573 S	*	6/2002	Kaucher	D12/211
D458,889 S	*	6/2002	Fitzgerald	D12/211
D471,503 S	*	3/2003	Baumgartner	D12/211
D481,342 S		10/2003	Kang		

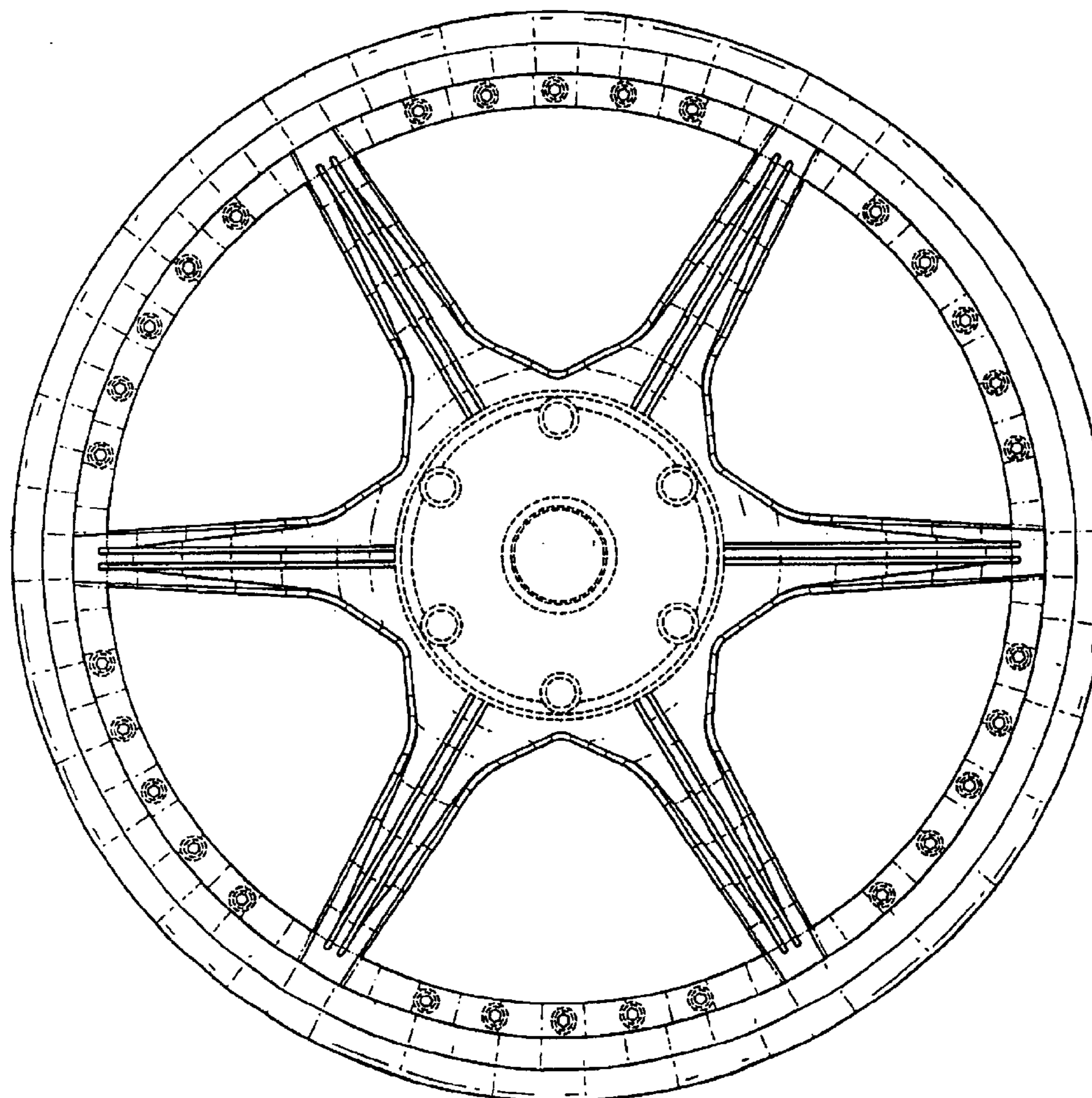


Fig. 1

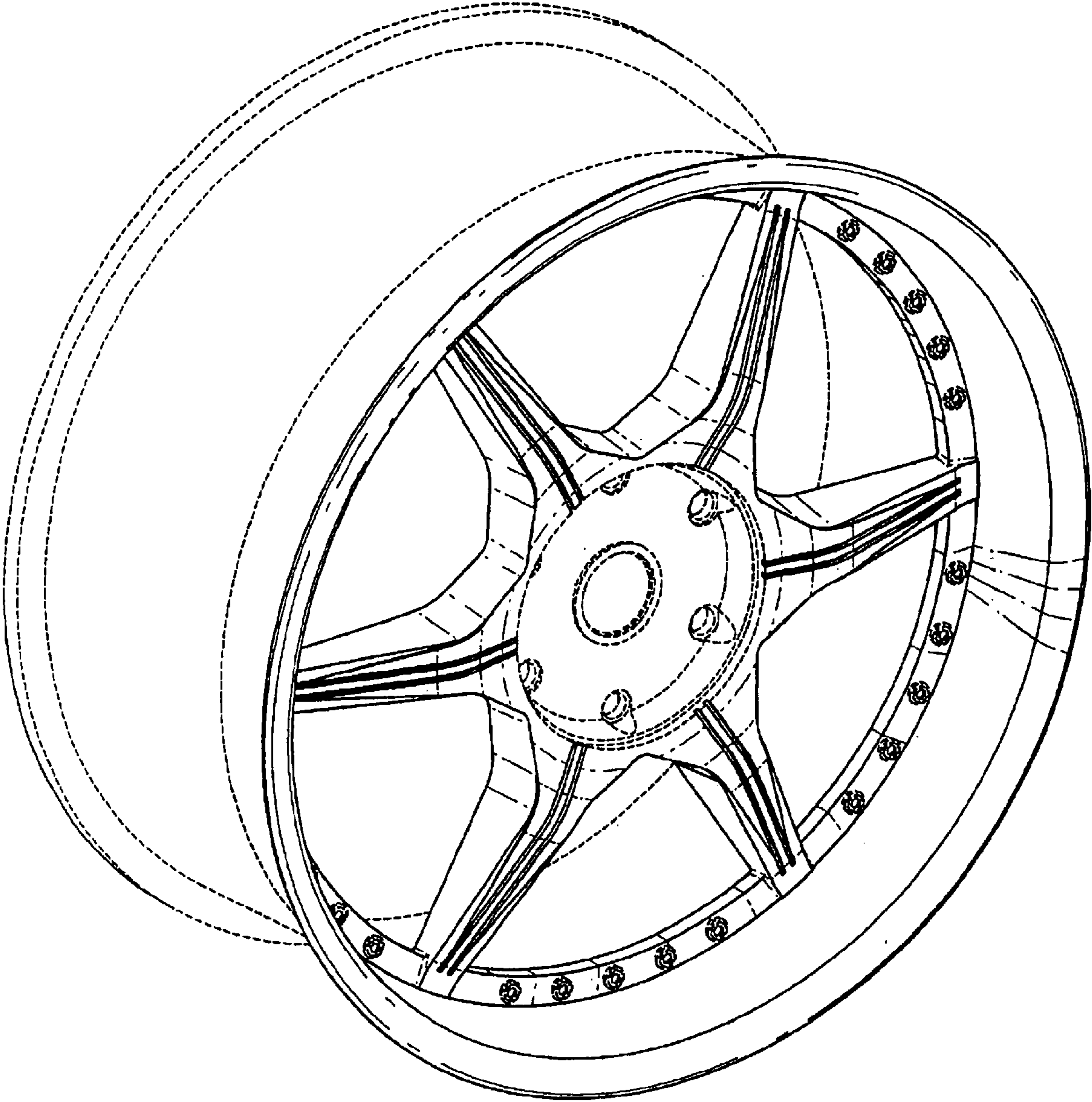


Fig. 2

