

US00D500278S

(12) **United States Design Patent**  
**Huet**

(10) **Patent No.:** **US D500,278 S**

(45) **Date of Patent:** **\*\* Dec. 28, 2004**

(54) **FRONT FACE OF A VEHICLE WHEEL**

(75) **Inventor:** **Jean-Francois Alexandre Huet**, Villers  
Allerand (FR)

(73) **Assignee:** **Bayerische Motoren Werke**  
**Aktiengesellschaft**, Munich (DE)

(\*\*) **Term:** **14 Years**

(21) **Appl. No.:** **29/200,763**

(22) **Filed:** **Mar. 4, 2004**

(30) **Foreign Application Priority Data**

Sep. 5, 2003 (DE) ..... 403 05 861

(51) **LOC (7) Cl.** ..... **12-16**

(52) **U.S. Cl.** ..... **D12/211**

(58) **Field of Search** ..... D12/204-213;  
301/37.101, 64.101, 65

(56) **References Cited**

**U.S. PATENT DOCUMENTS**

D408,346 S \* 4/1999 Goplen ..... D12/211

D424,500 S	*	5/2000	Johnson	.....	D12/209
D454,825 S	*	3/2002	Amatino	.....	D12/211
D460,733 S	*	7/2002	Bintoro	.....	D12/211
D463,350 S	*	9/2002	Lee	.....	D12/211
D466,070 S	*	11/2002	Lee	.....	D12/211
D486,111 S	*	2/2004	Weidhase	.....	D12/211
D488,762 S	*	4/2004	Cahyono	.....	D12/209
D491,124 S	*	6/2004	Rice	.....	D12/209
D491,873 S	*	6/2004	Markefka	.....	D12/211
D493,406 S	*	7/2004	Kataoka	.....	D12/211

\* cited by examiner

*Primary Examiner*—Stacia Cadmus

(74) *Attorney, Agent, or Firm*—Crowell & Moring LLP

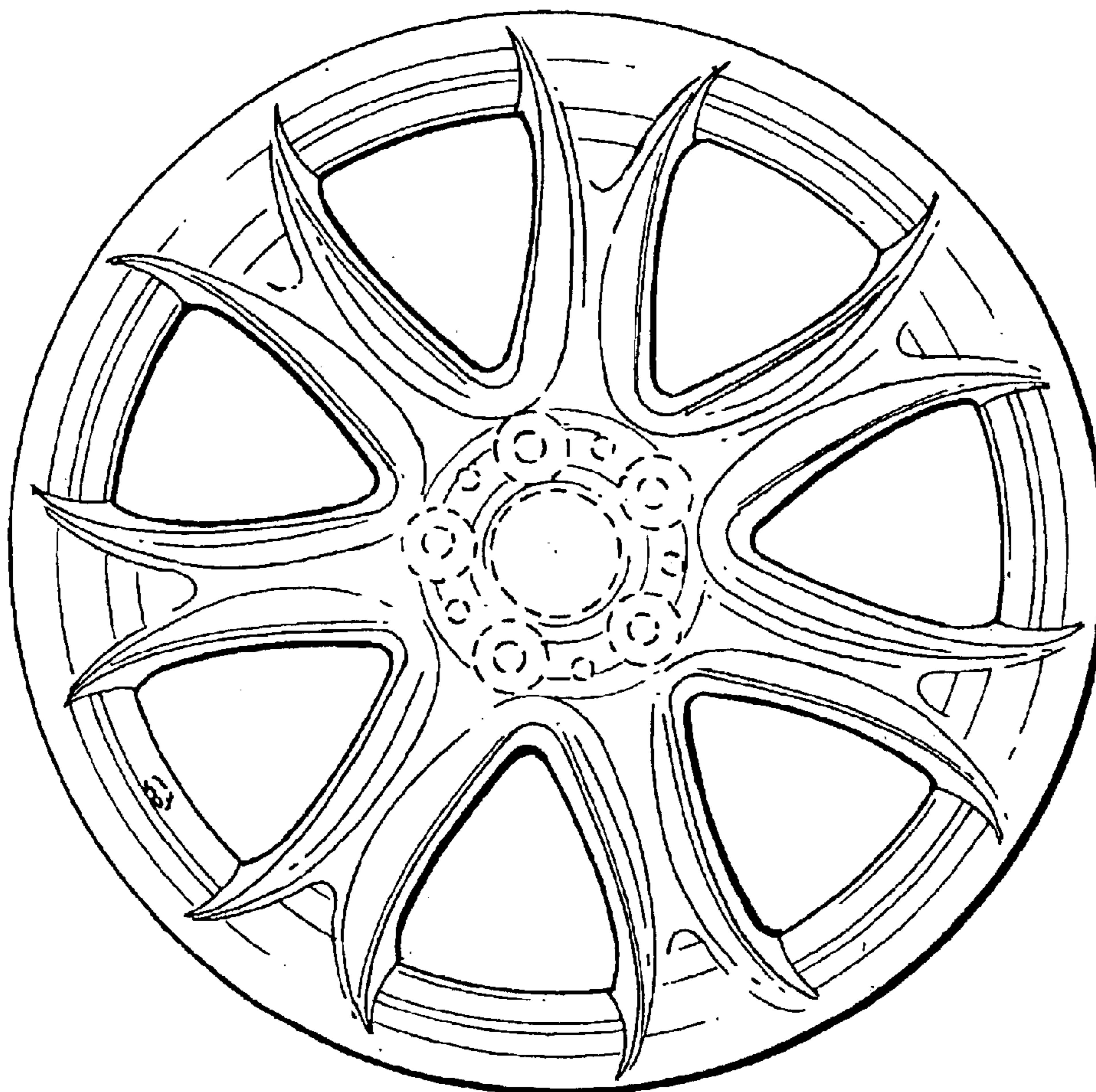
(57) **CLAIM**

The ornamental design for a front face of a vehicle wheel,  
as shown and described.

**DESCRIPTION**

FIG. 1 is a front view of a front face of a vehicle wheel  
according to my novel design; and,  
FIG. 2 is a perspective view of the front face of a vehicle  
wheel according to my novel design.

**1 Claim, 1 Drawing Sheet**



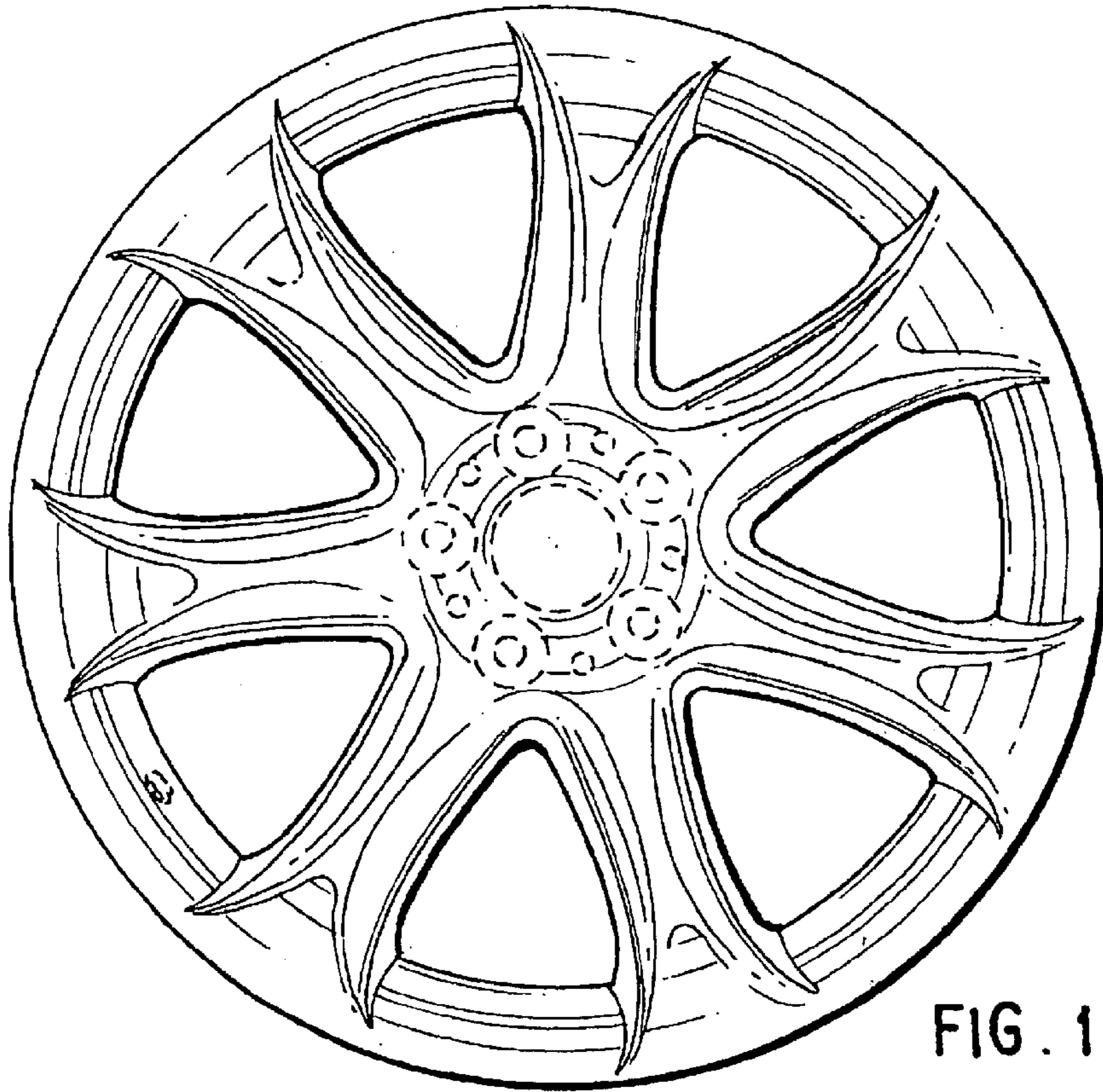


FIG. 1

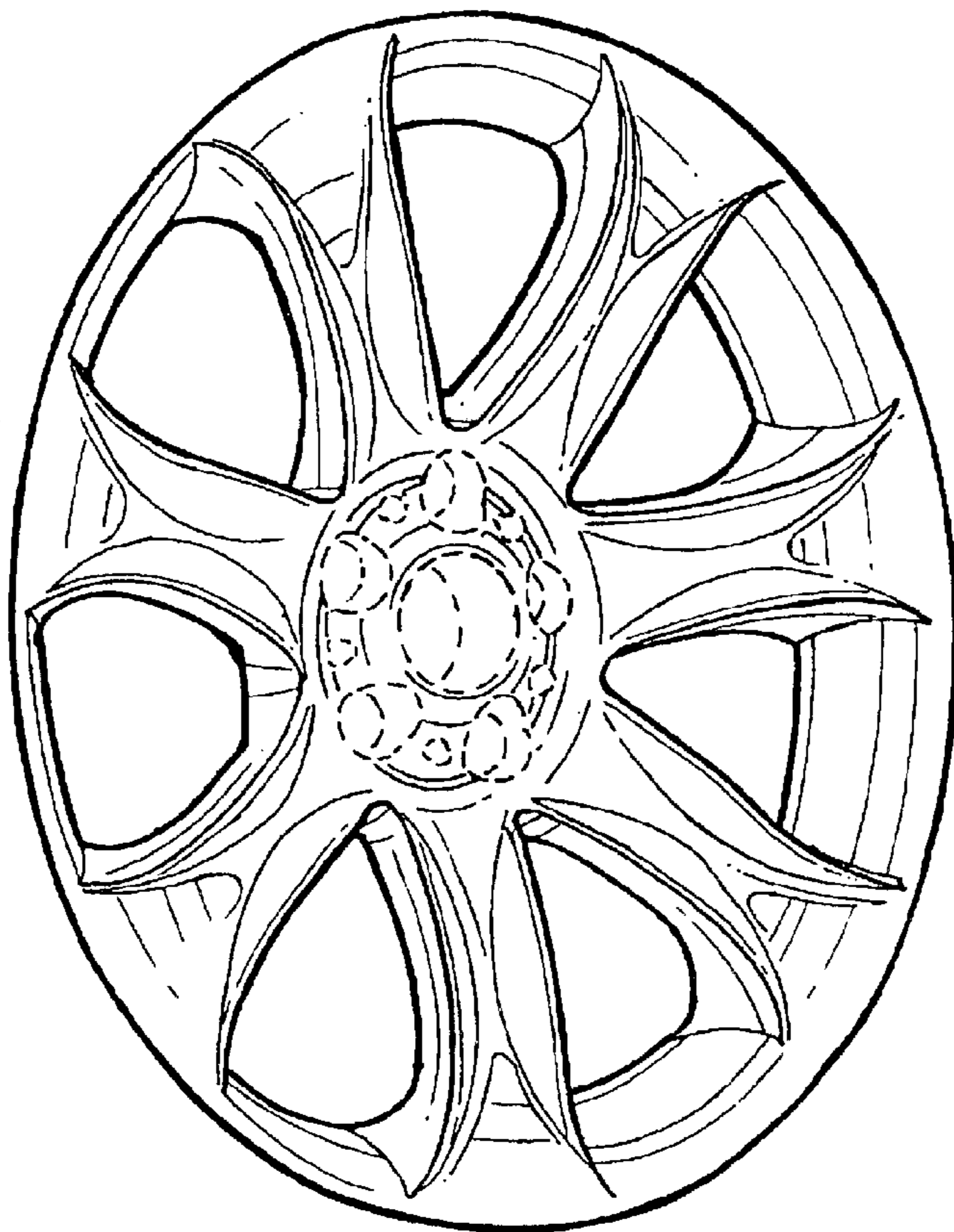


FIG. 2