

US00D500265S

(12) **United States Design Patent**
Ishibashi

(10) **Patent No.:** **US D500,265 S**
(45) **Date of Patent:** **** Dec. 28, 2004**

(54) **GRILL FOR AN AUTOMOBILE**

FOREIGN PATENT DOCUMENTS

(75) **Inventor:** **Hiroshi Ishibashi, Saitama (JP)**
(73) **Assignee:** **Honda Giken Kogyo Kabushiki Kaisha, Tokyo (JP)**

DE 97 11 147 11/1998
DE 400 00 644 5/2000
JP 1143321 6/2002

(**) **Term:** **14 Years**

* cited by examiner

(21) **Appl. No.:** **29/188,061**

Primary Examiner—Melody N. Brown
(74) *Attorney, Agent, or Firm*—Westerman, Hattori, Daniels & Adrian, LLP

(22) **Filed:** **Aug. 13, 2003**

(57) **CLAIM**

(30) **Foreign Application Priority Data**

The ornamental design for a, grill for an automobile, as shown and described.

Feb. 20, 2003 (JP) 2003-004143

(51) **LOC (7) Cl.** **12-16**

(52) **U.S. Cl.** **D12/163**

(58) **Field of Search** D12/163, 171,
D12/90-92, 216, 169, 196; 180/68.1, 68.6;
296/194

DESCRIPTION

FIG. 1 is a front elevation view of a grill for an automobile, showing our new design;
FIG. 2 is a rear elevation view thereof;
FIG. 3 is a top plan view thereof;
FIG. 4 is a bottom plan view thereof;
FIG. 5 is a right side elevation view thereof;
FIG. 6 is a left side elevation view thereof;
FIG. 7 is a perspective view thereof; and,
FIG. 8 is a another perspective view thereof.

(56) **References Cited**

U.S. PATENT DOCUMENTS

D464,296 S * 10/2002 Nemoto D12/163
D473,496 S * 4/2003 Tanabe et al. D12/163
D475,329 S * 6/2003 Okumoto et al. D12/163
D486,764 S * 2/2004 Tachibana D12/163

1 Claim, 8 Drawing Sheets

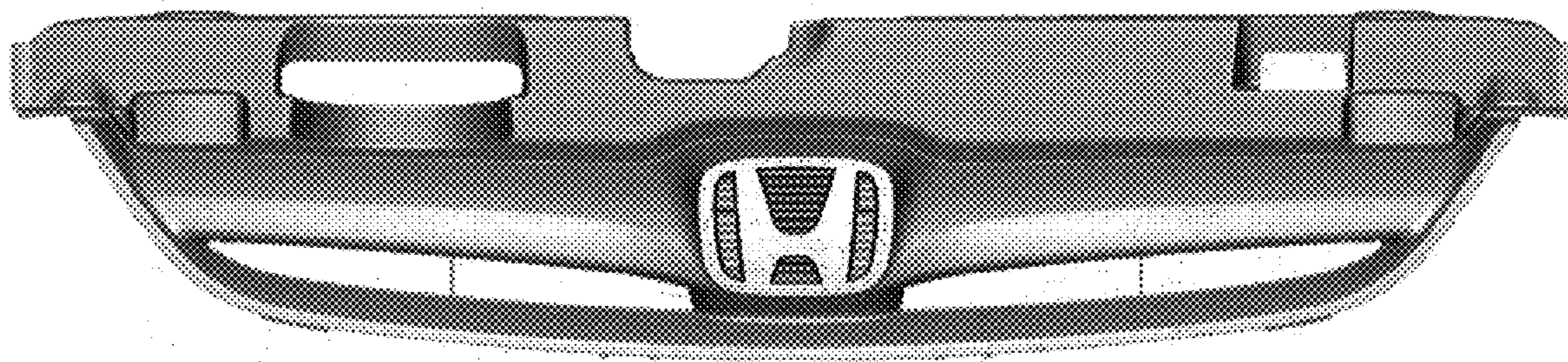


Fig. 1

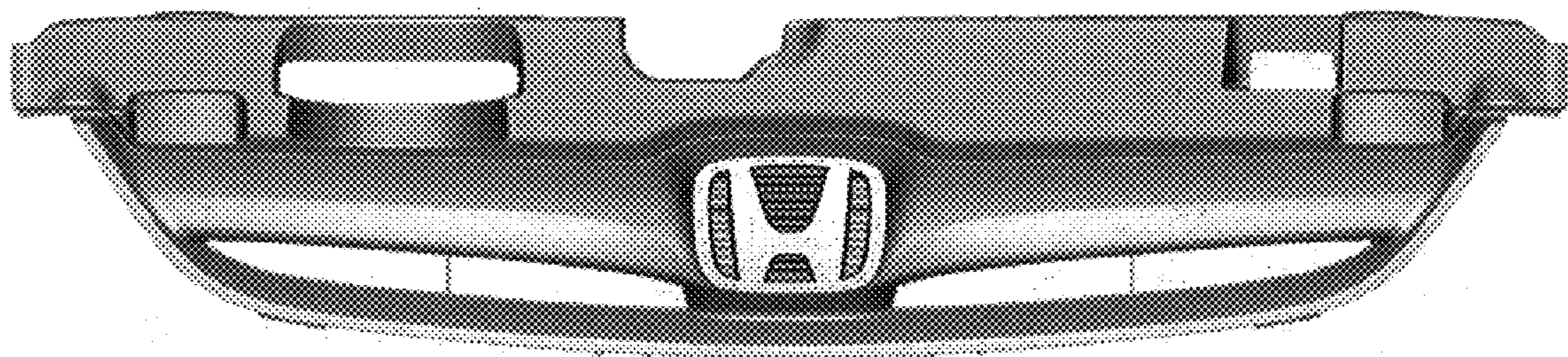


Fig. 2

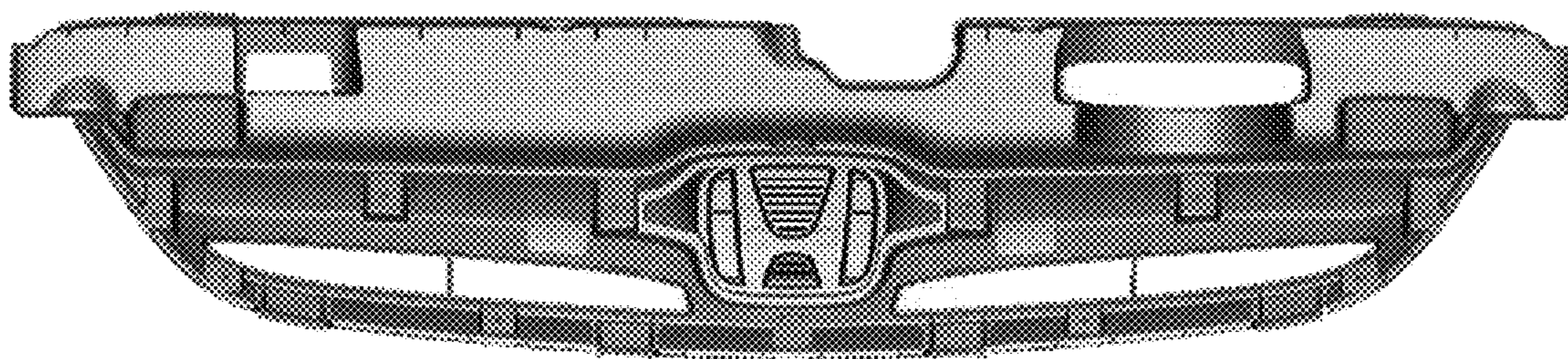


Fig. 3

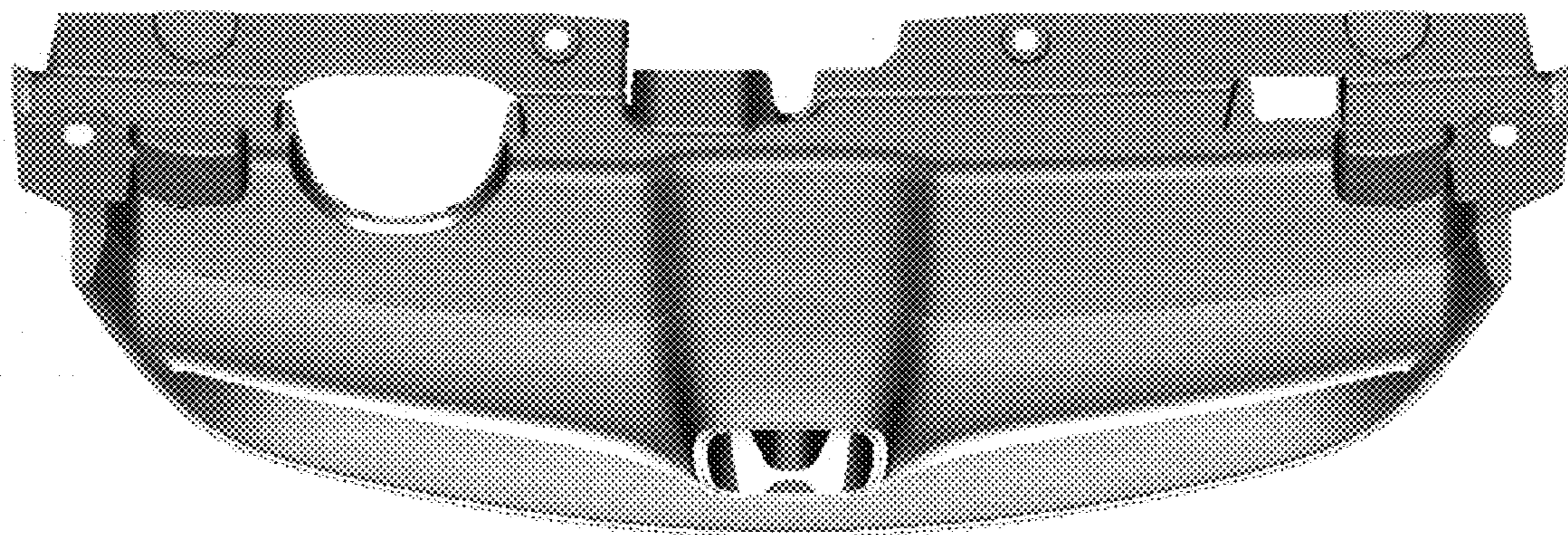


Fig. 4

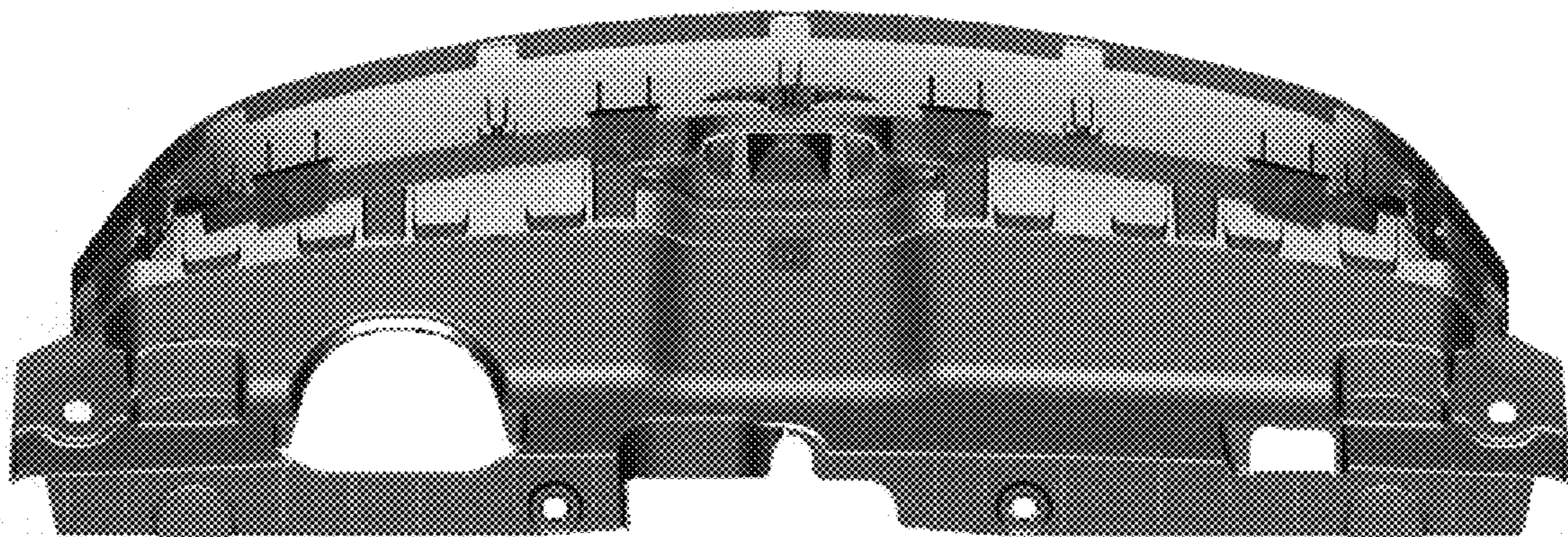


Fig. 5

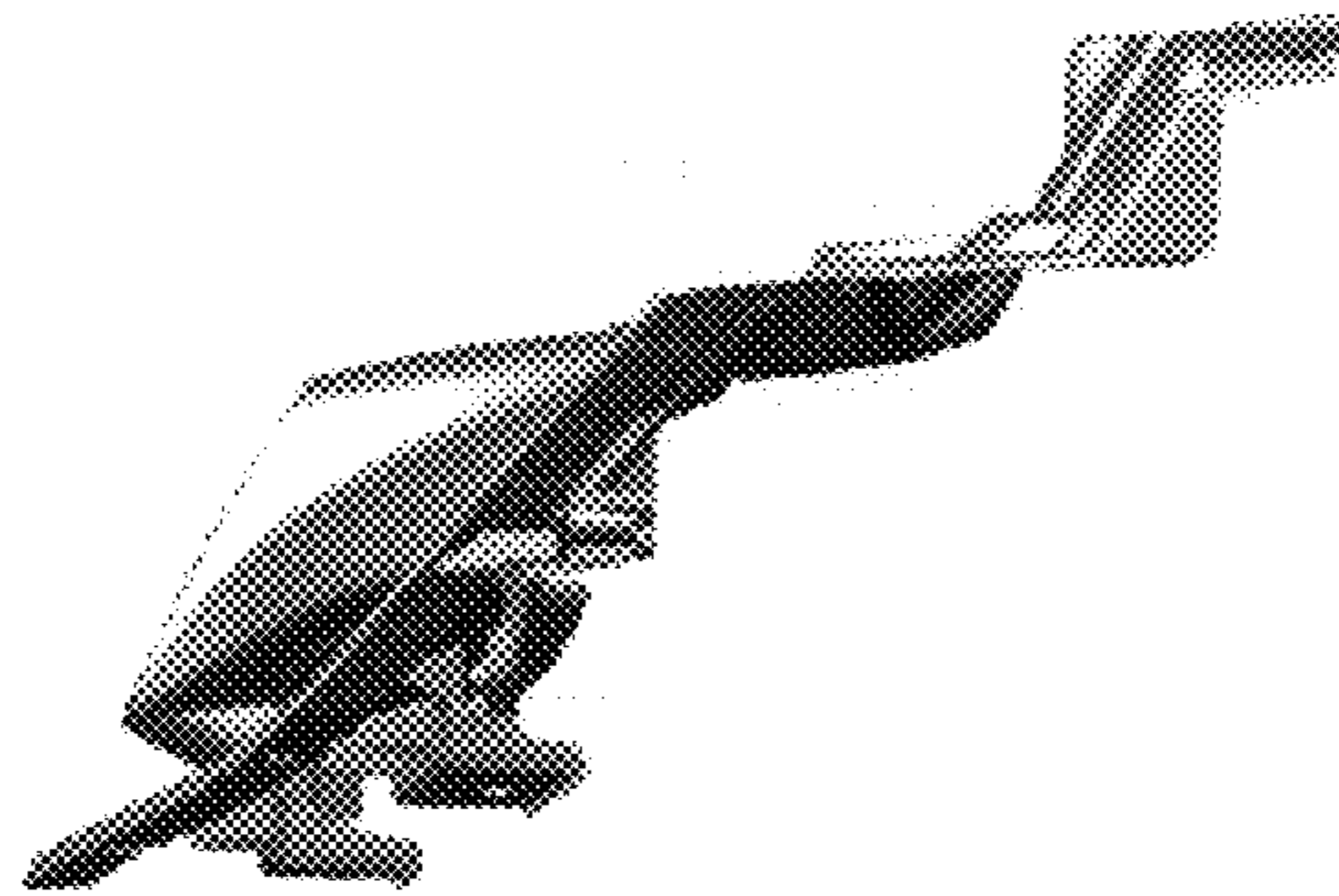


Fig. 6

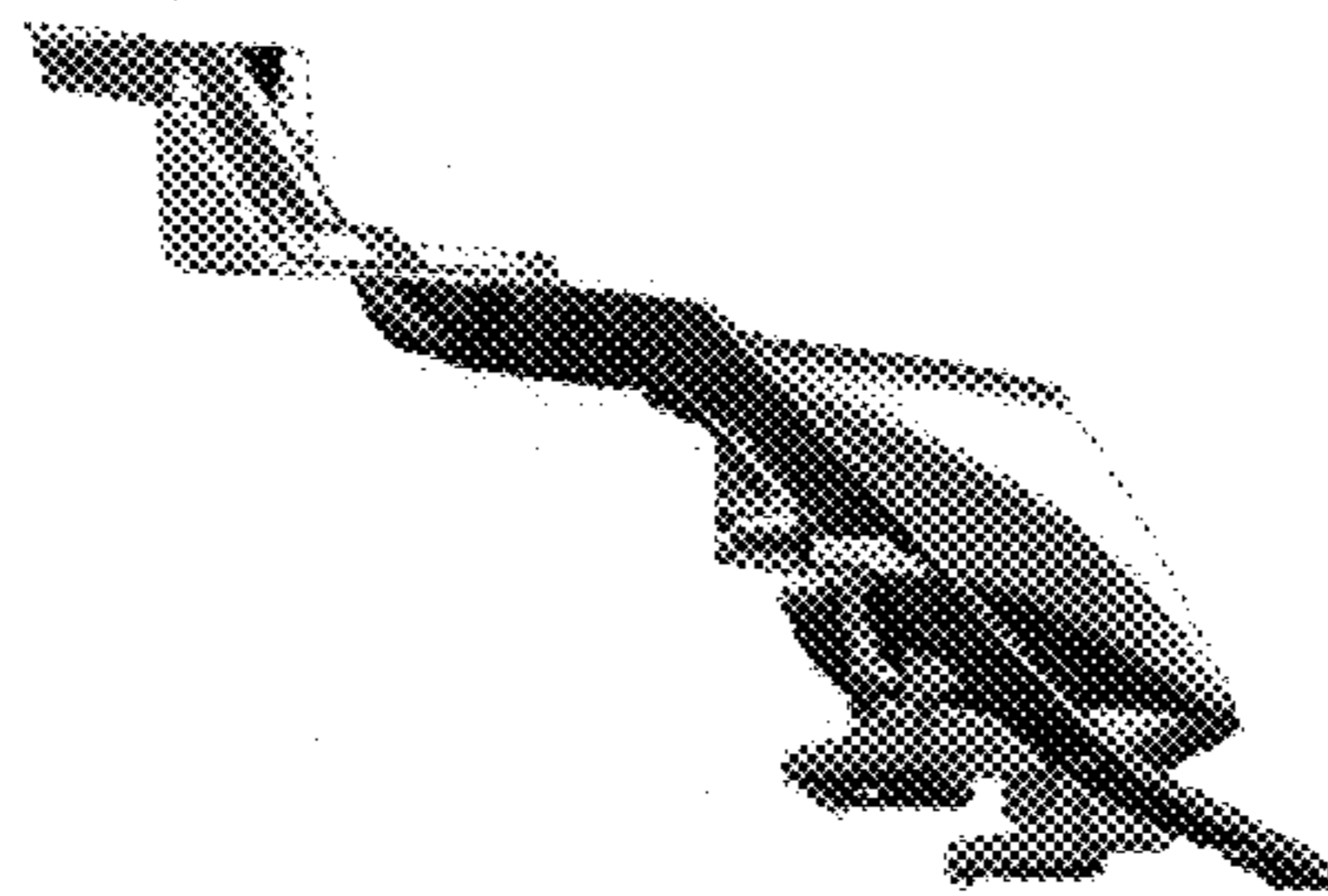


Fig. 7

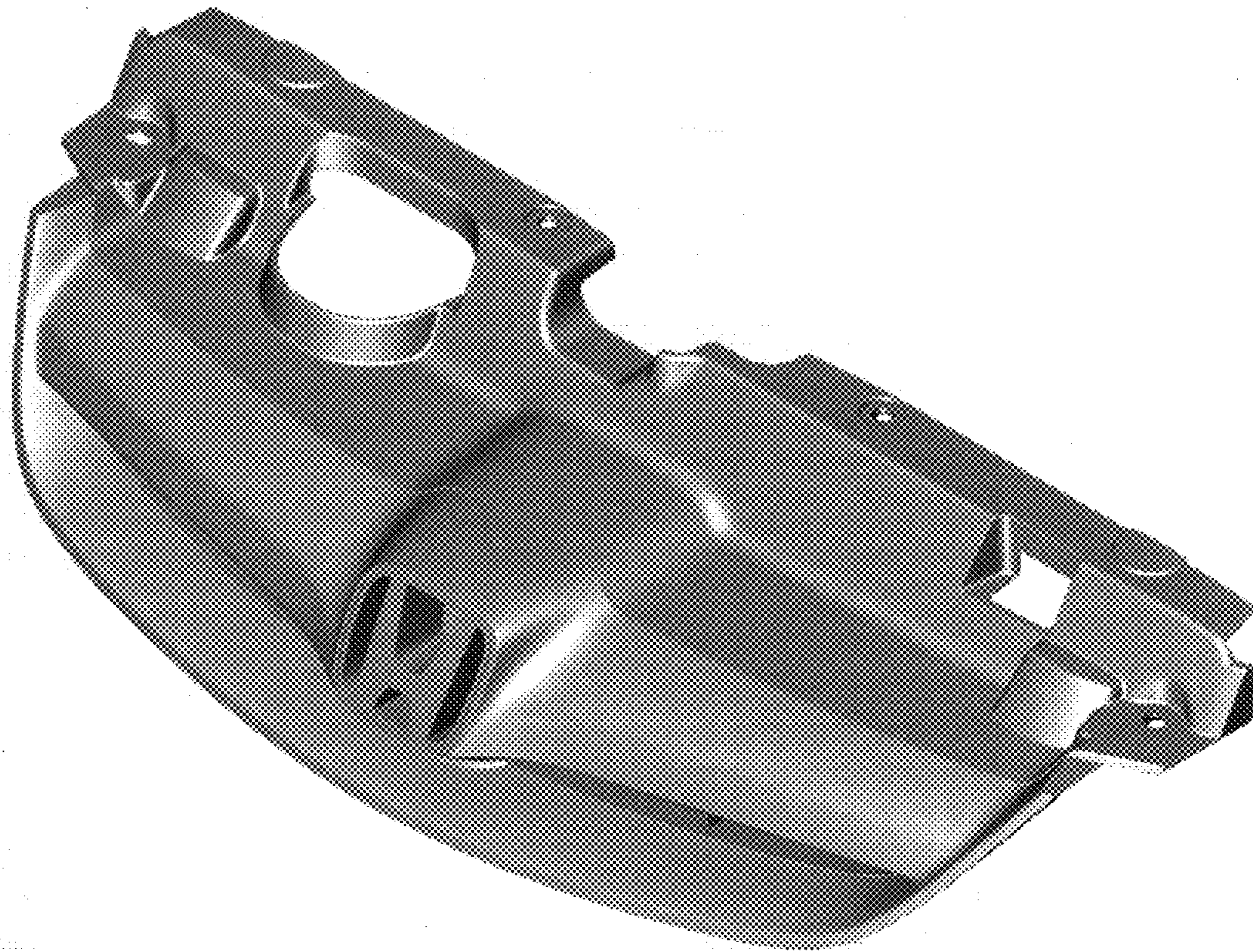


Fig. 8

