

US00D500261S

(12) **United States Design Patent**  
**Pachachi**

(10) **Patent No.:** **US D500,261 S**

(45) **Date of Patent:** **\*\* Dec. 28, 2004**

(54) **PENDANT**

D408,318 S \* 4/1999 Zuzul ..... D11/96

(75) **Inventor:** **Reema Pachachi**, London (GB)

(73) **Assignee:** **De Beers LV Ltd.**, London (GB)

(\*\*) **Term:** **14 Years**

(21) **Appl. No.:** **29/170,745**

(22) **Filed:** **Nov. 12, 2002**

(51) **LOC (7) Cl.** ..... **11-03**

(52) **U.S. Cl.** ..... **D11/96**

(58) **Field of Search** ..... D11/1, 7, 8, 40,  
D11/43, 44-45, 48-49, 53, 54, 55, 56,  
61, 66, 69, 76, 77, 78, 79, 80, 81, 82, 95-103,  
107, 110, 116; 63/1.11, 12, 13, 14.1, 18,  
20, 23; D99/23, 24, 25, 27

(56) **References Cited**

**U.S. PATENT DOCUMENTS**

- D119,993 S \* 4/1940 Brandt et al. .... D99/27
- D153,601 S \* 5/1949 Gresh ..... D11/81
- D226,624 S \* 4/1973 Maze ..... D11/81
- D248,459 S \* 7/1978 Newman ..... D11/96

**OTHER PUBLICATIONS**

Evans 1993-1994 Catalog. Item 16 on p. 97y.\*

\* cited by examiner

*Primary Examiner*—Ralf Seifert

(74) *Attorney, Agent, or Firm*—Clifford W. Browning;  
Woodard, Emhardt, Moriarty, McNett & Henry LLP

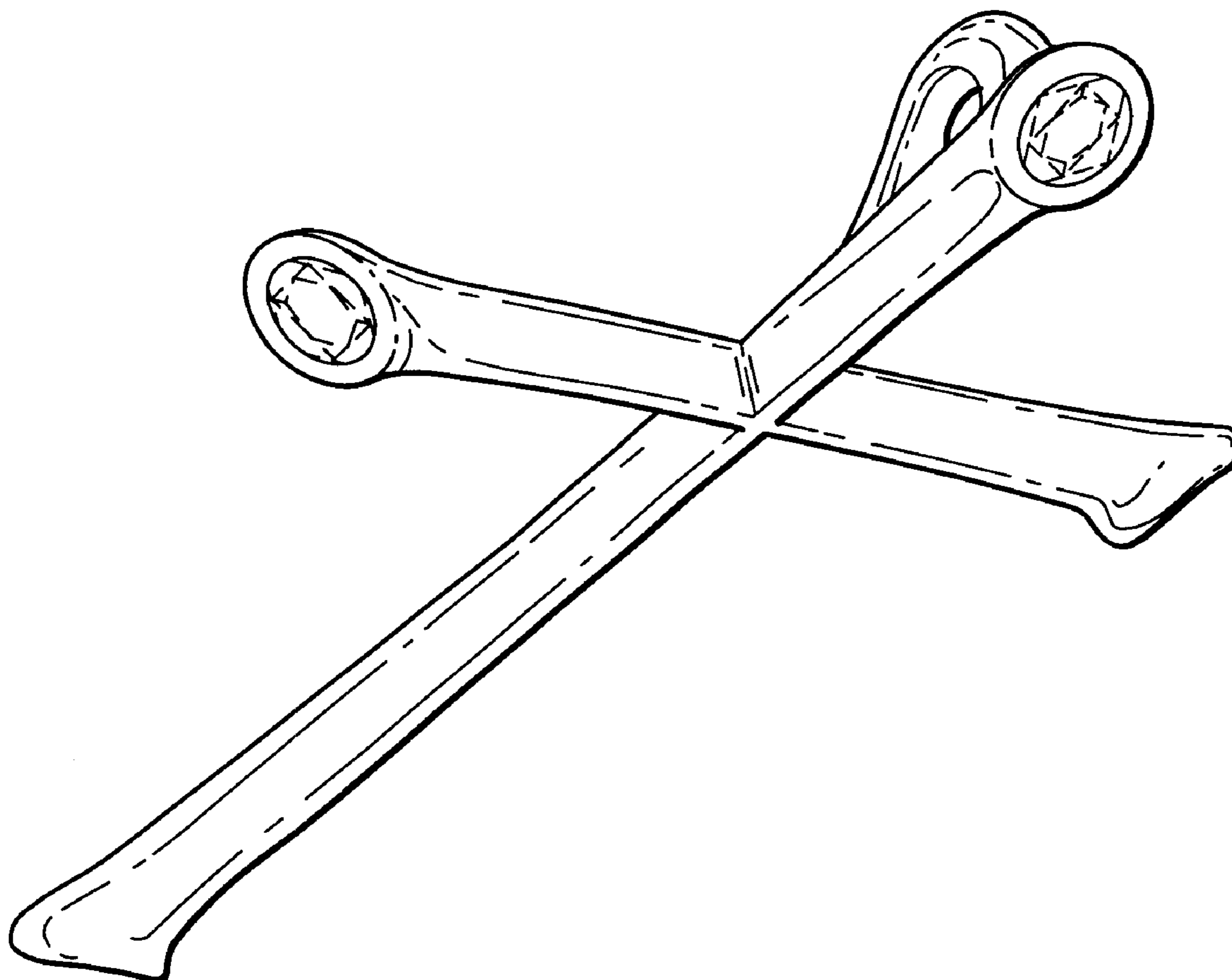
(57) **CLAIM**

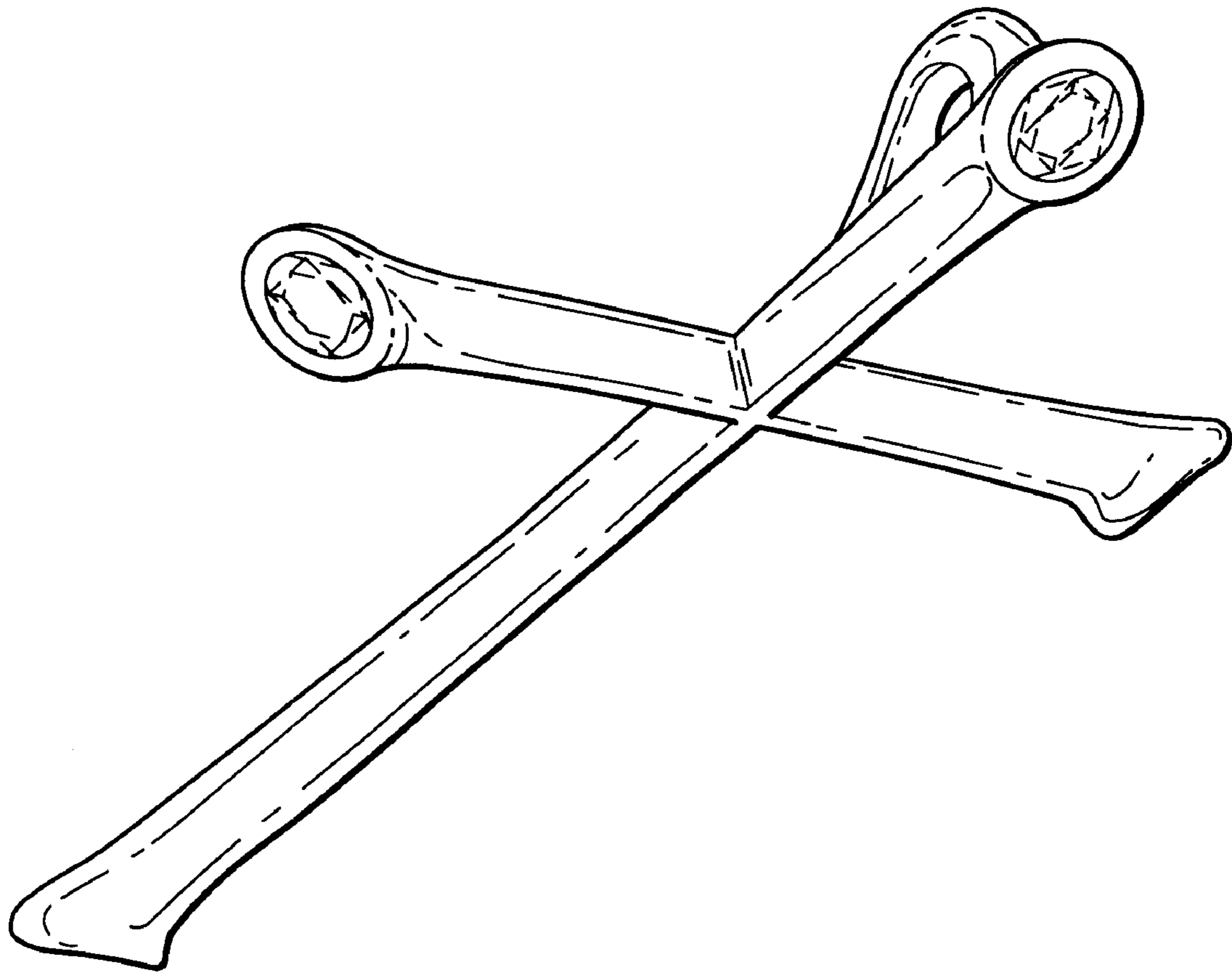
The ornamental design for a pendant, as shown and described.

**DESCRIPTION**

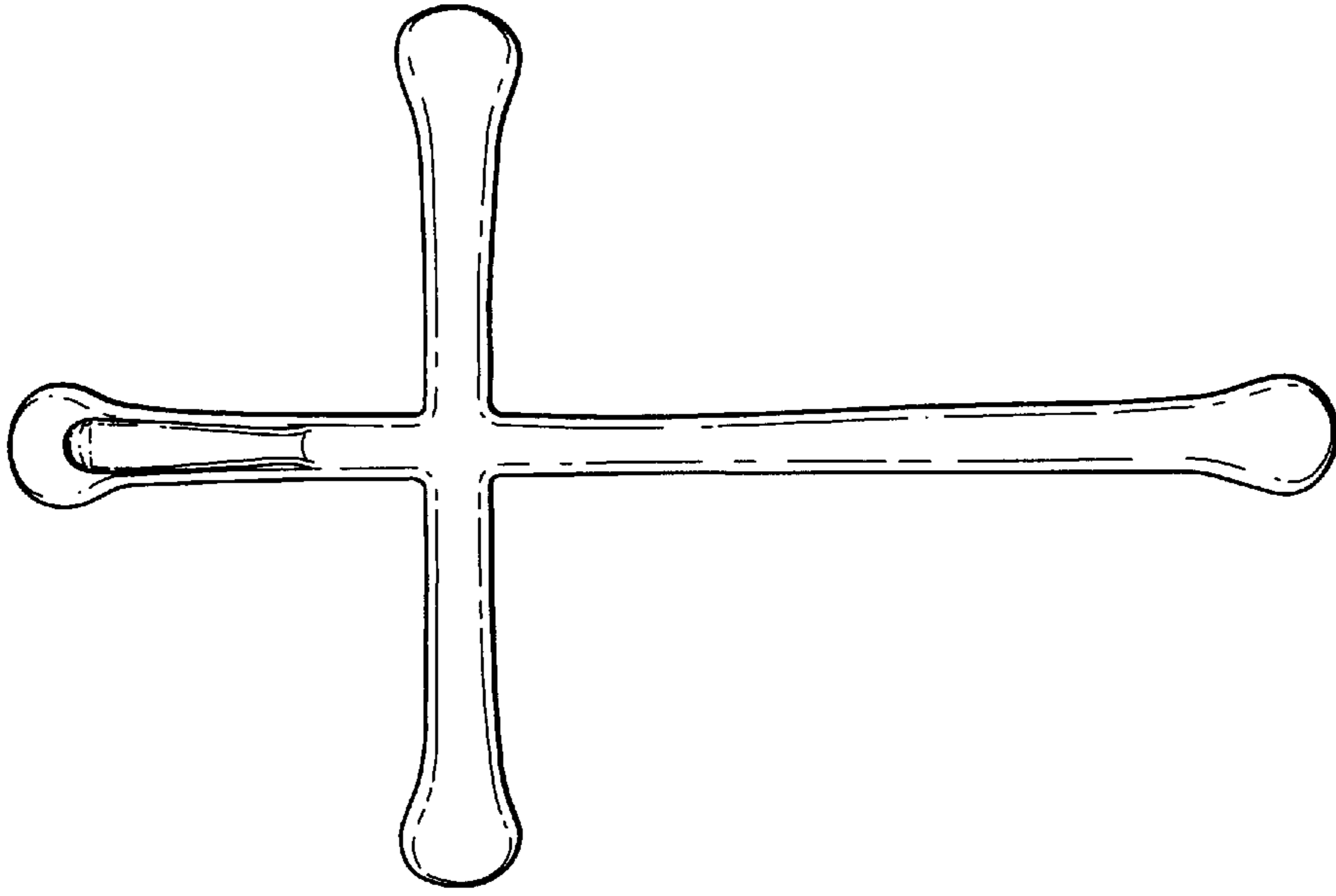
FIG. 1 is a front view of a pendant, showing my new design.  
 FIG. 2 is a rear view of FIG. 1.  
 FIG. 3 is a top view of FIG. 1.  
 FIG. 4 is a bottom view of FIG. 1.  
 FIG. 5 is a right side view of FIG. 1; and  
 FIG. 6 is a left side view of FIG. 1.  
 The dotted lines show environment only and do not form a part of the claimed design.

**1 Claim, 3 Drawing Sheets**

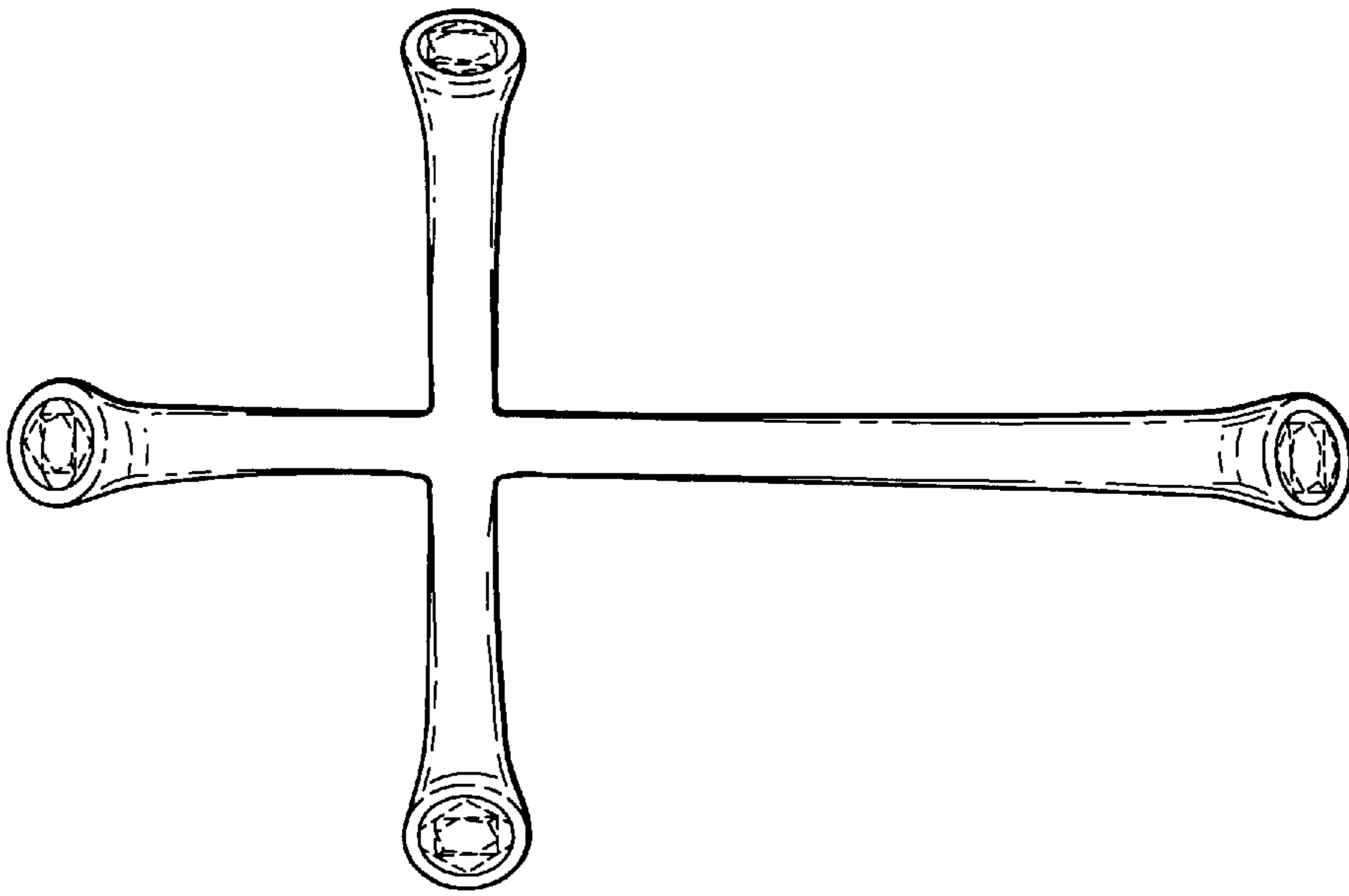




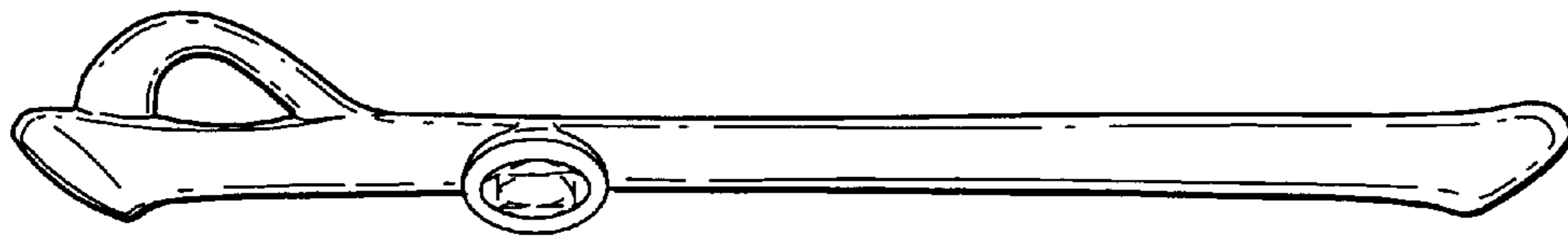
**Fig. 1**



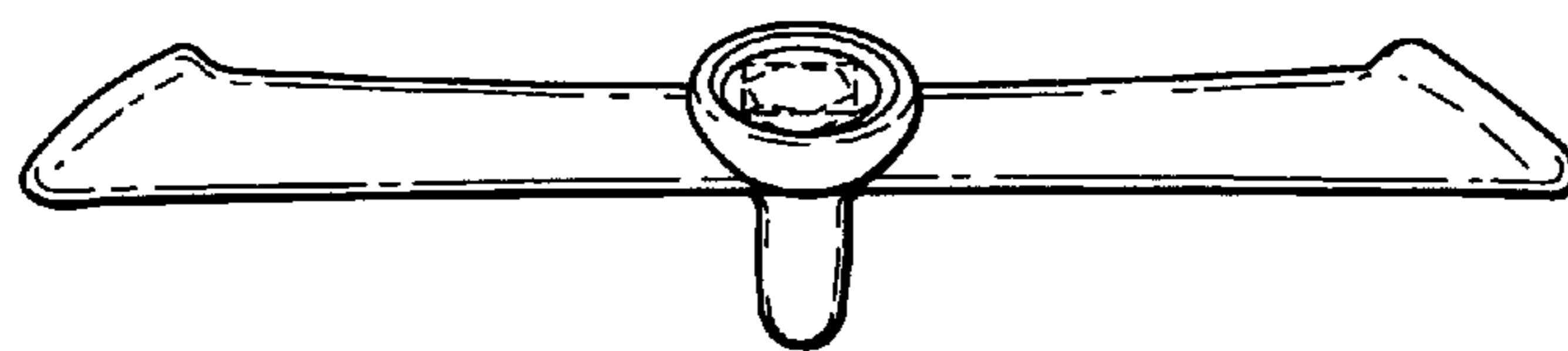
**Fig. 3**



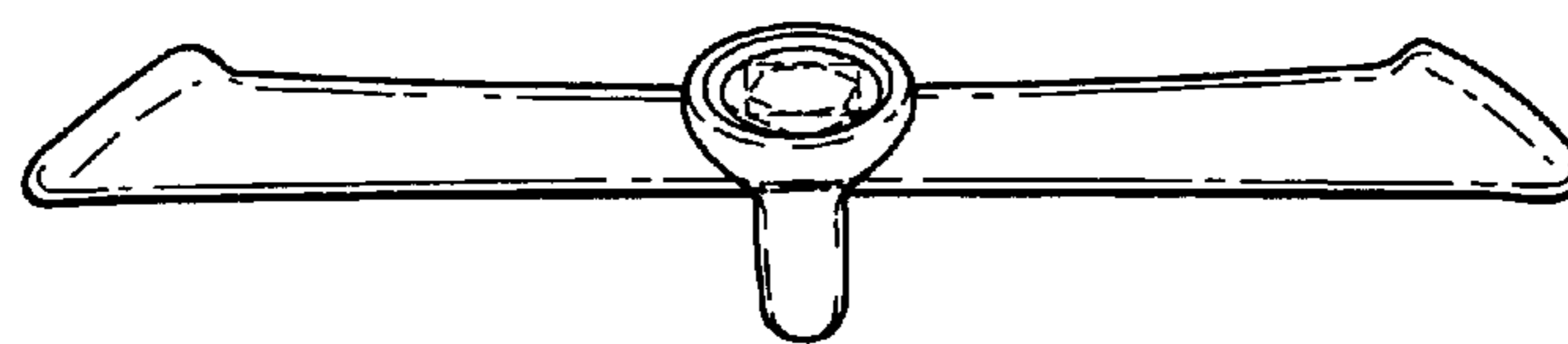
**Fig. 2**



**Fig. 4**



**Fig. 5**



**Fig. 6**