

US00D500259S

(12) **United States Design Patent** (10) **Patent No.:** **US D500,259 S**  
**Kita et al.** (45) **Date of Patent:** **\*\* Dec. 28, 2004**

(54) **FLUID PRESSURE CYLINDER**

(75) Inventors: **Kazushi Kita**, Saitama-ken (JP); **Jun Yamada**, Ushiku (JP); **Kazufumi Waki**, Moriya (JP); **Kouhei Toyohara**, Abiko (JP); **Yuuya Osamura**, Ibaraki-ken (JP)

(73) Assignee: **SMC Kabushiki Kaisha**, Tokyo (JP)

(\*\*) Term: **14 Years**

(21) Appl. No.: **29/189,270**

(22) Filed: **Aug. 28, 2003**

(30) **Foreign Application Priority Data**

Mar. 3, 2003 (JP) ..... 2003-005402

(51) **LOC (7) Cl.** ..... **10-04**

(52) **U.S. Cl.** ..... **D10/85**

(58) **Field of Search** ..... D10/85; D15/7;  
92/5 L, 15-17, 21 MR, 28, 68, 88, 137,  
143, 177, 128, 168, 165 PR, 51-52, 169;  
91/394, 395, 407, 408

(56) **References Cited**

**U.S. PATENT DOCUMENTS**

D445,704 S \* 7/2001 Suzuki ..... D10/85  
6,289,932 B1 \* 9/2001 Thackeray et al. .... 137/630.15

**OTHER PUBLICATIONS**

“Product Guide '90, Pneumatic/Hydraulic Equipment”, Taiyo, Japan, p. 37.

Copy of related U.S. Design patent application Ser. No. 29/189,269 filed Aug. 28, 2003; Inventors: Kazushi Kita et al; Title: Fluid Pressure Cylinder.

\* cited by examiner

*Primary Examiner*—Antoine D. Davis

(74) *Attorney, Agent, or Firm*—Frishauf, Holtz, Goodman & Chick, P.C.

(57) **CLAIM**

The ornamental design for a fluid pressure cylinder, as shown and described.

**DESCRIPTION**

FIG. 1 is a top, front and left-side perspective view of a fluid pressure cylinder showing our new design; FIG. 2 is a front view thereof, the rear view being a mirror image of the front view; FIG. 3 is a top plan view thereof; FIG. 4 is a bottom plan view thereof; FIG. 5 is a right side view thereof; and, FIG. 6 is a left side view thereof.

**1 Claim, 3 Drawing Sheets**

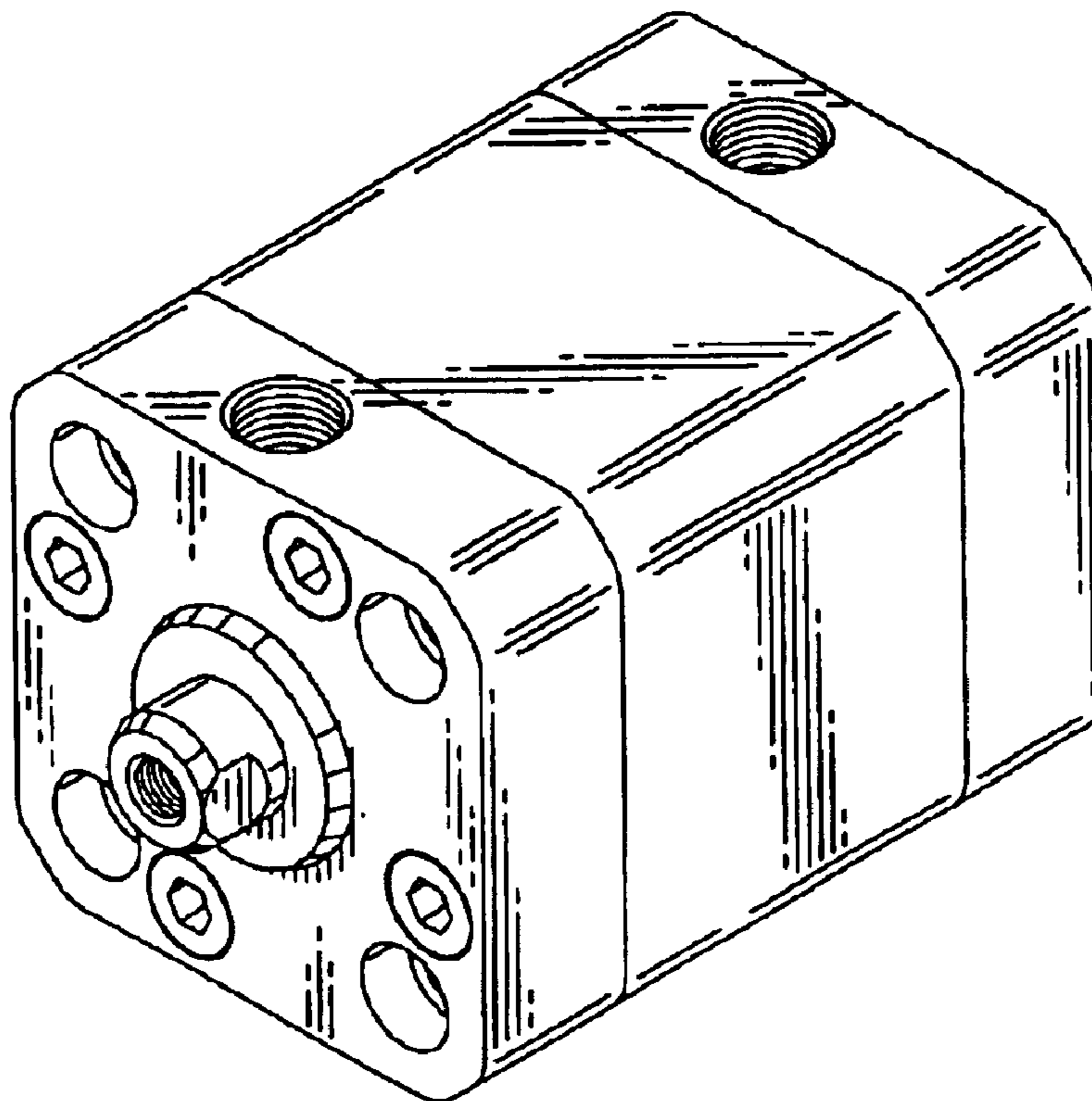


FIG. 1

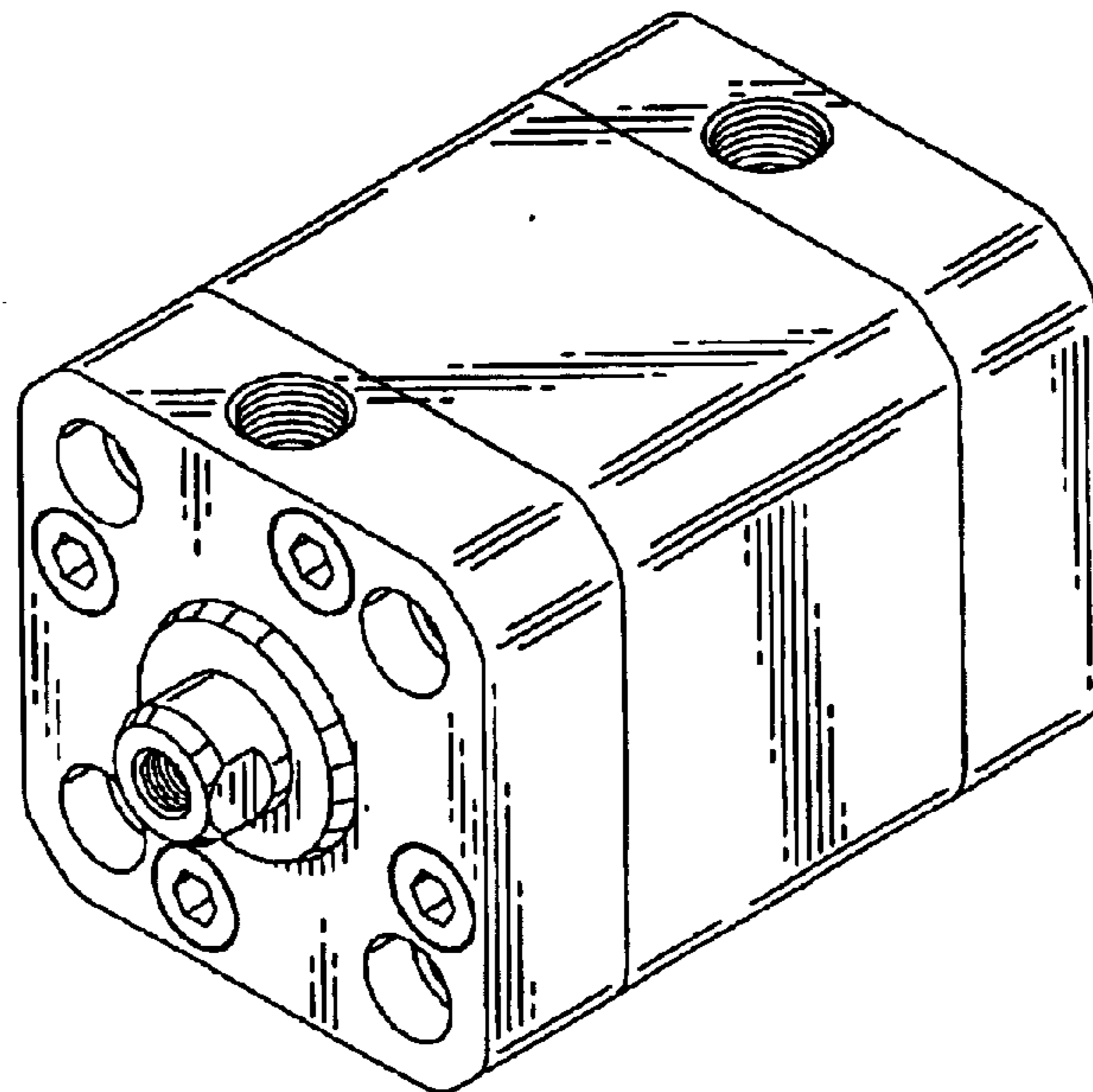


FIG. 2

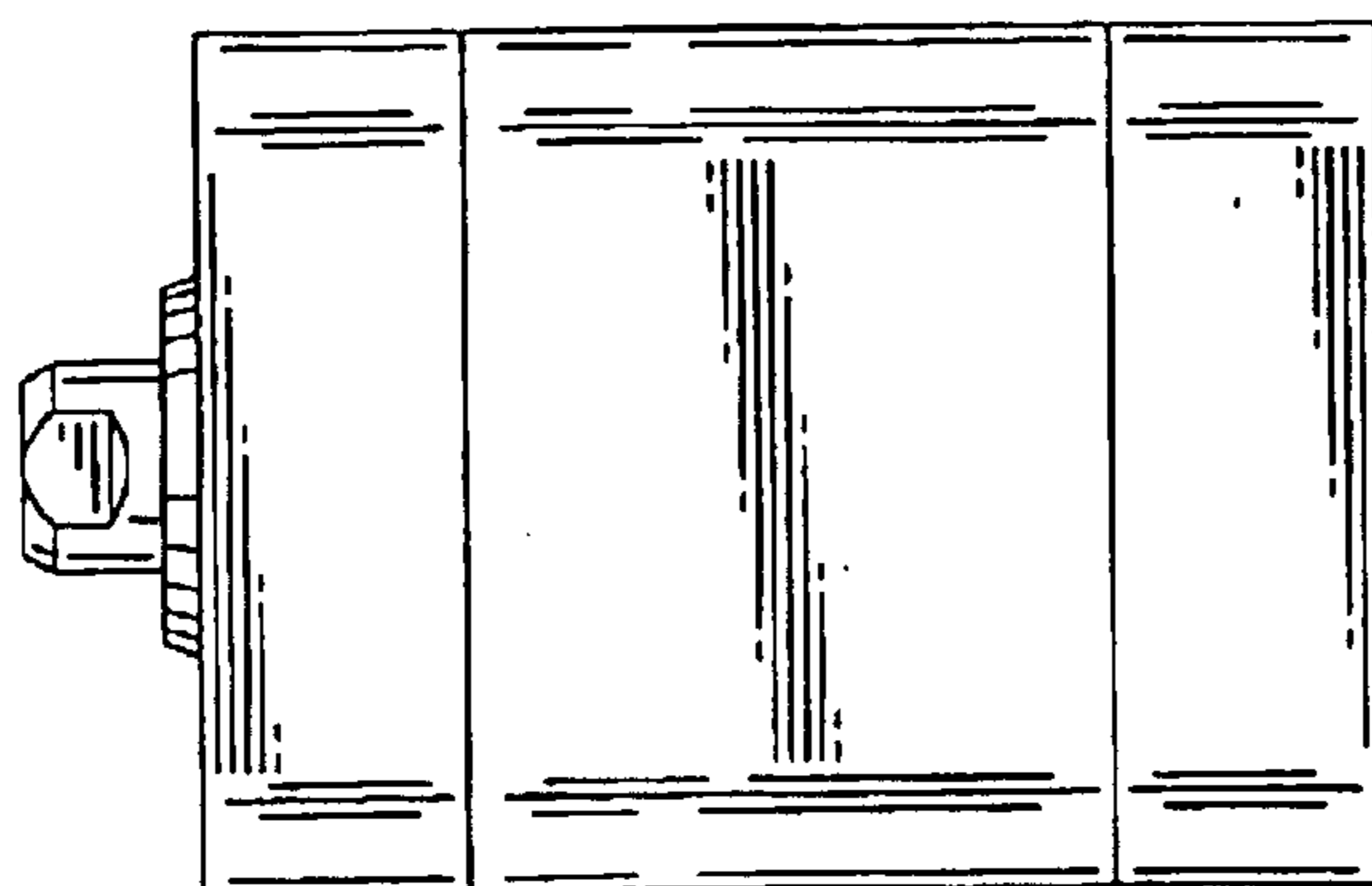


FIG. 3

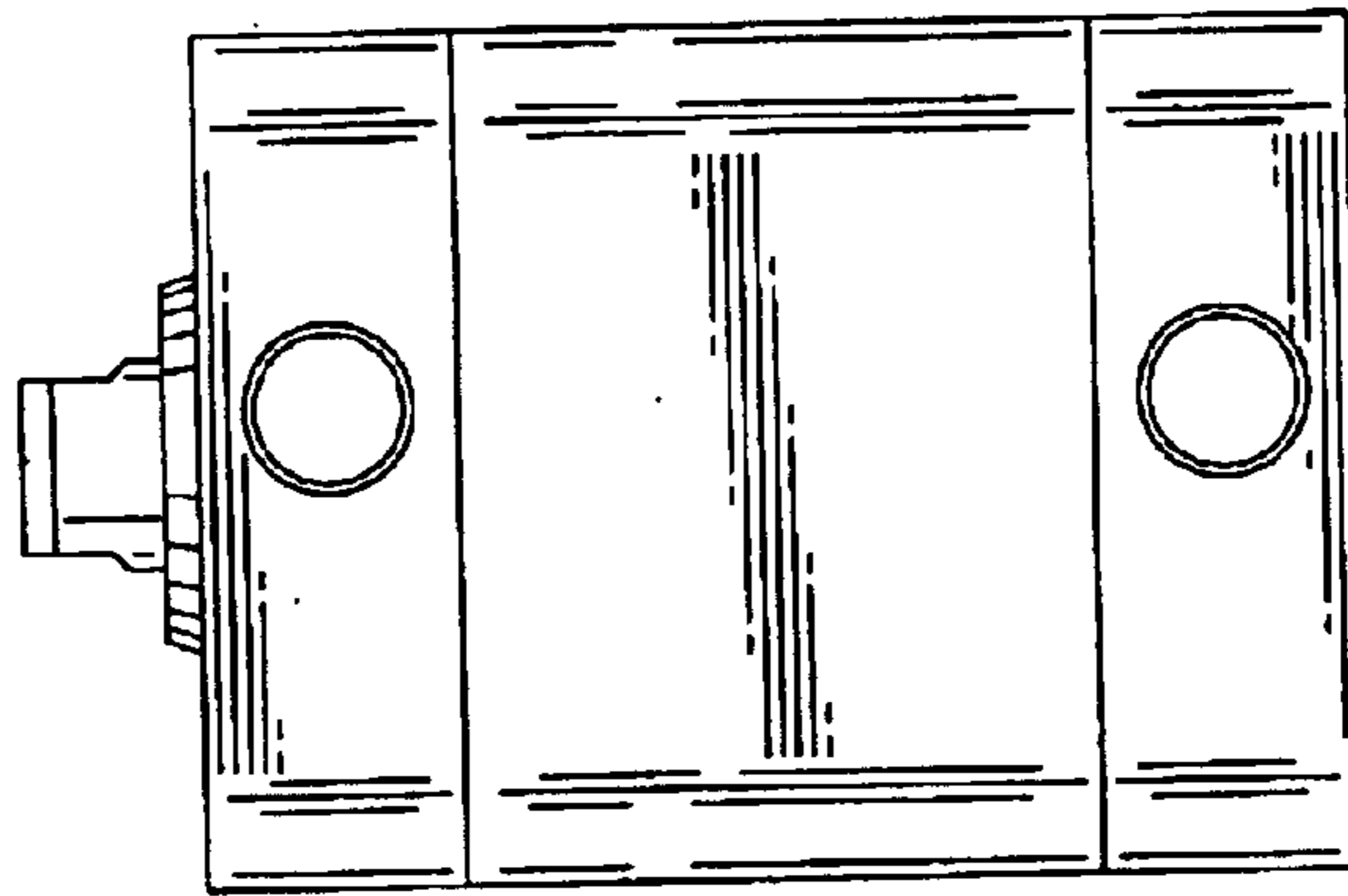


FIG. 4

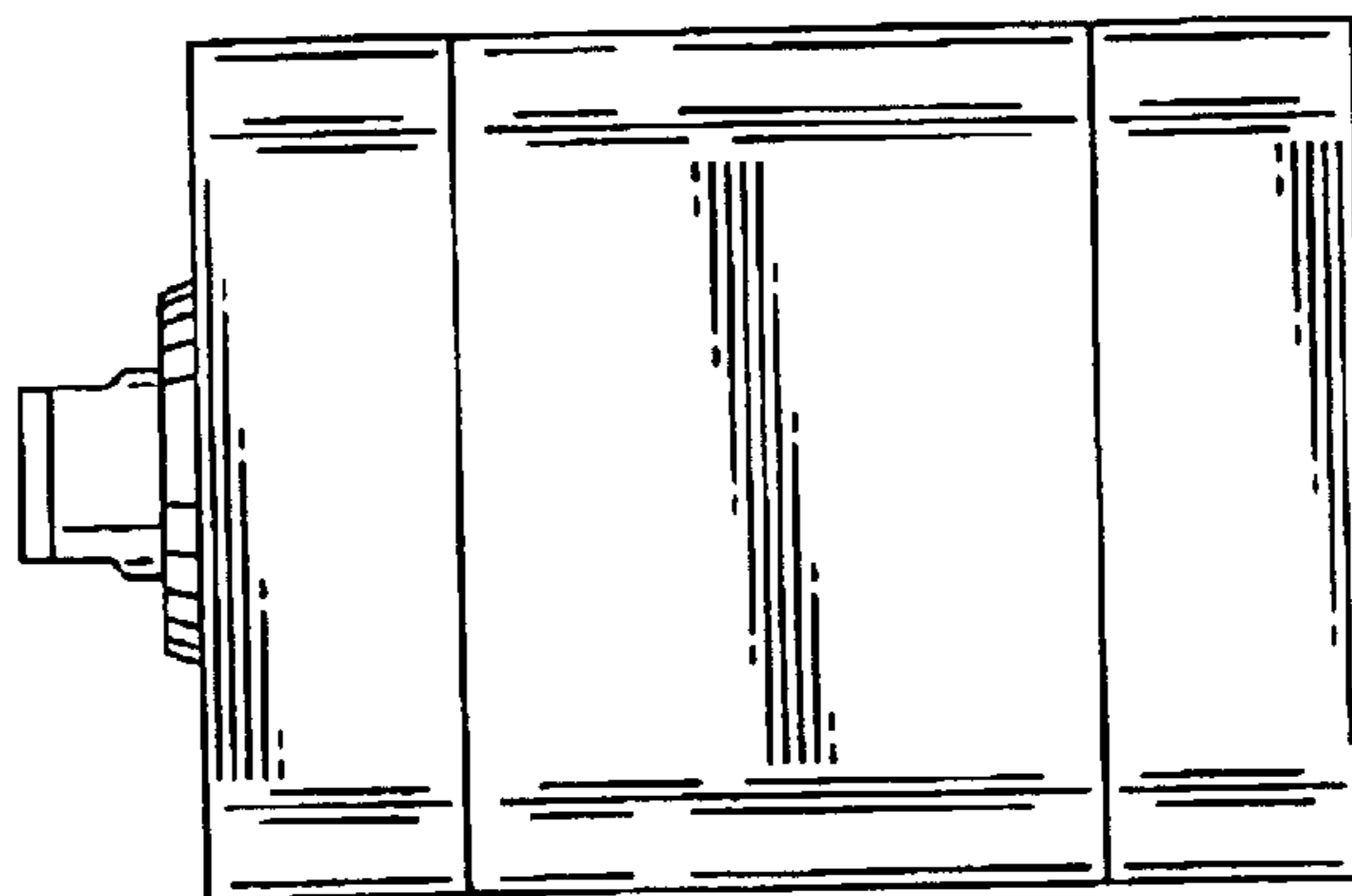


FIG. 5

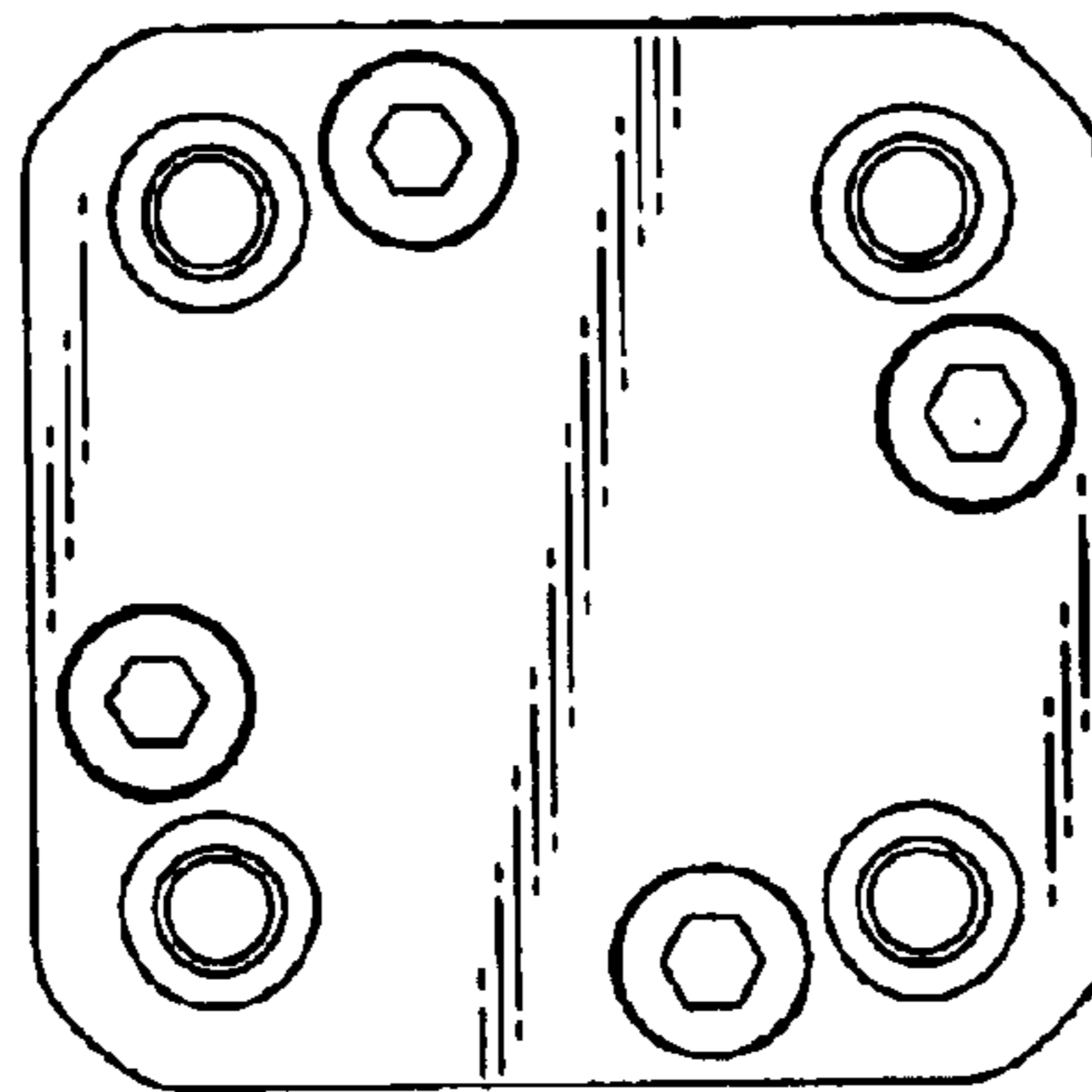


FIG. 6

