



US00D500255S

(12) **United States Design Patent**
Marshall et al.

(10) **Patent No.:** **US D500,255 S**

(45) **Date of Patent:** **** Dec. 28, 2004**

(54) **PORTIONS OF AN OPTICAL INSTRUMENT**

6,577,388 B2 * 6/2003 Kallabis 356/139.1

(75) Inventors: **James D. Marshall**, Mallorytown (CA);
Oleksiy P. Sergyeyenko, Brockville
(CA); **Michael E. Waldron, Co.**
Durham (GB)

* cited by examiner

Primary Examiner—Antoine D. Davis
(74) *Attorney, Agent, or Firm*—Adan Ayala

(73) Assignee: **Black & Decker Inc.**, Newark, DE
(US)

(57) **CLAIM**

The ornamental design for portions of an optical instrument,
as shown and described.

(**) Term: **14 Years**

(21) Appl. No.: **29/203,445**

(22) Filed: **Apr. 14, 2004**

Related U.S. Application Data

(63) Continuation of application No. 29/180,539, filed on Apr.
25, 2003, now Pat. No. Des. 491,477.

(51) **LOC (7) Cl.** **10-04**

(52) **U.S. Cl.** **D10/69**

(58) **Field of Search** D10/69; 33/291,
33/285, 138, 295, 286, DIG. 21; 356/249,
250, 139.1; 372/9-30

DESCRIPTION

FIG. 1 is a front perspective view of portions of an optical
instrument according to the invention.

FIG. 2 is a left side elevational view of the portions of the
instrument.

FIG. 3 is a rear elevational view of the portions of the
instrument.

FIG. 4 is a front elevational view of the portions of the
instrument.

FIG. 5 is a top plan view of the portions of the instrument;
and,

FIG. 6 is a bottom plan view of the portions of the instru-
ment.

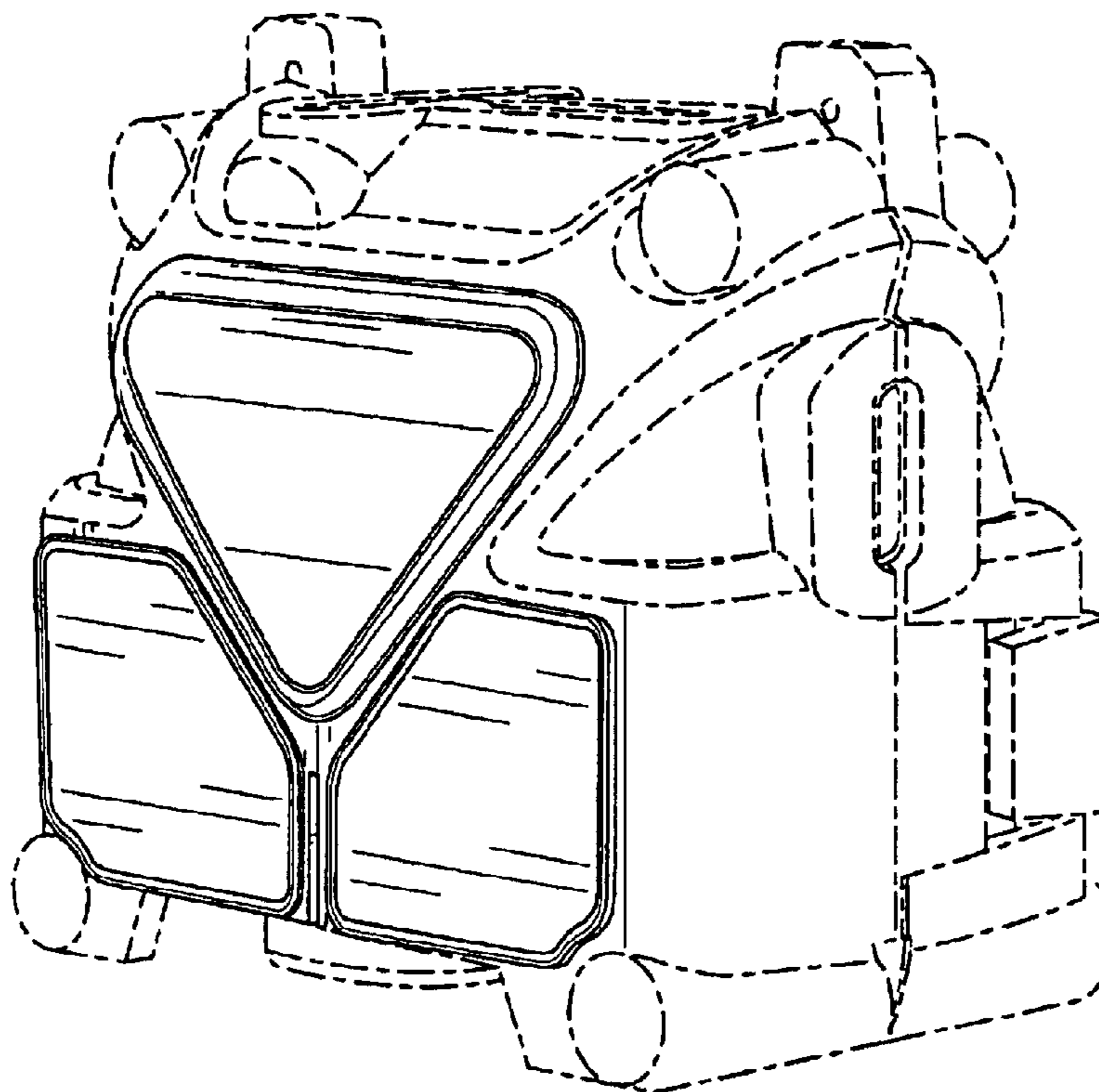
In the above drawings, any portions shown in broken lines
do not form a part of the invention. In addition, any views
not shown thereof do not form a part of the invention.

(56) **References Cited**

U.S. PATENT DOCUMENTS

D475,938 S * 6/2003 Lopano D10/69

1 Claim, 6 Drawing Sheets



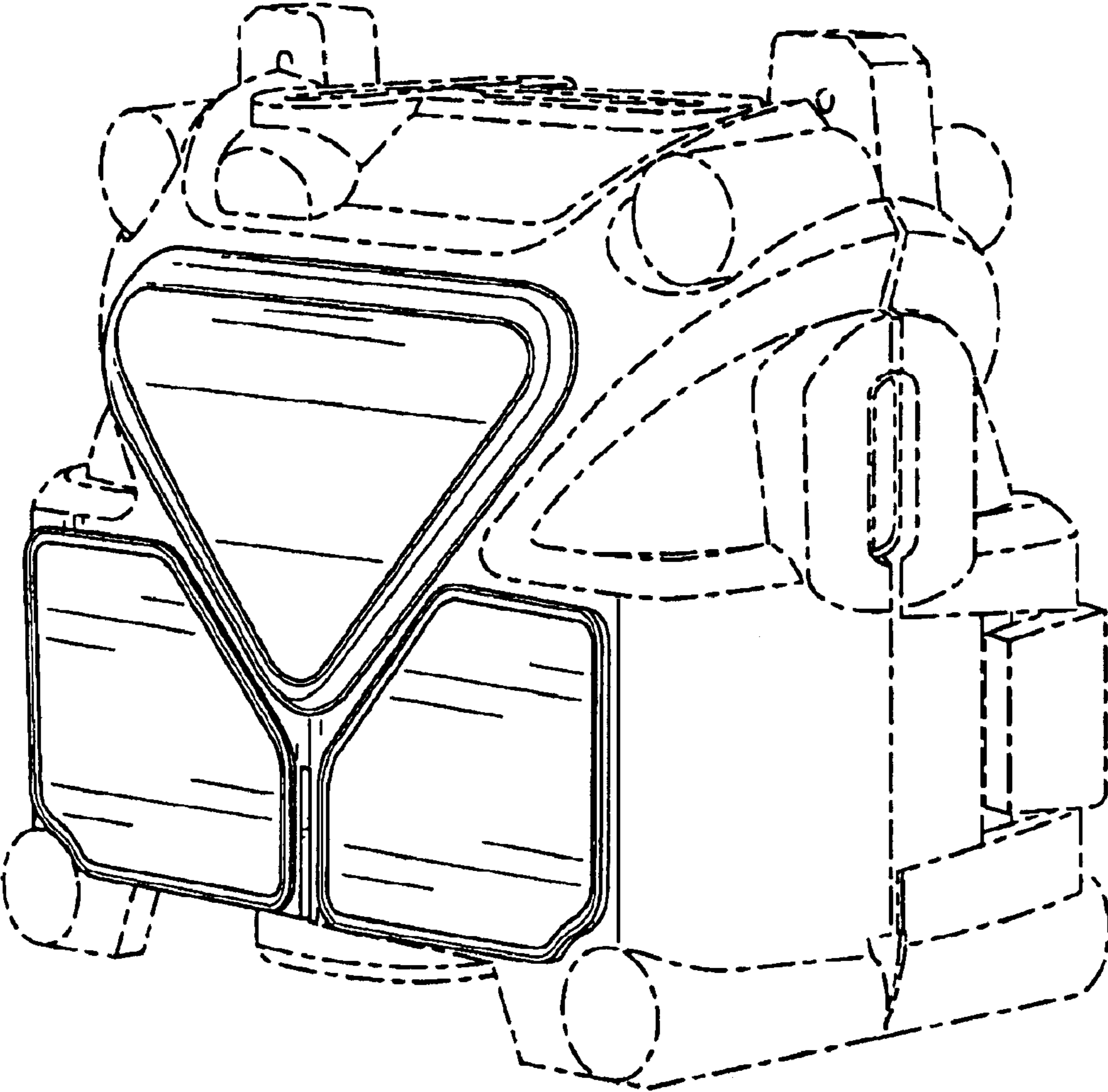


FIG. 1

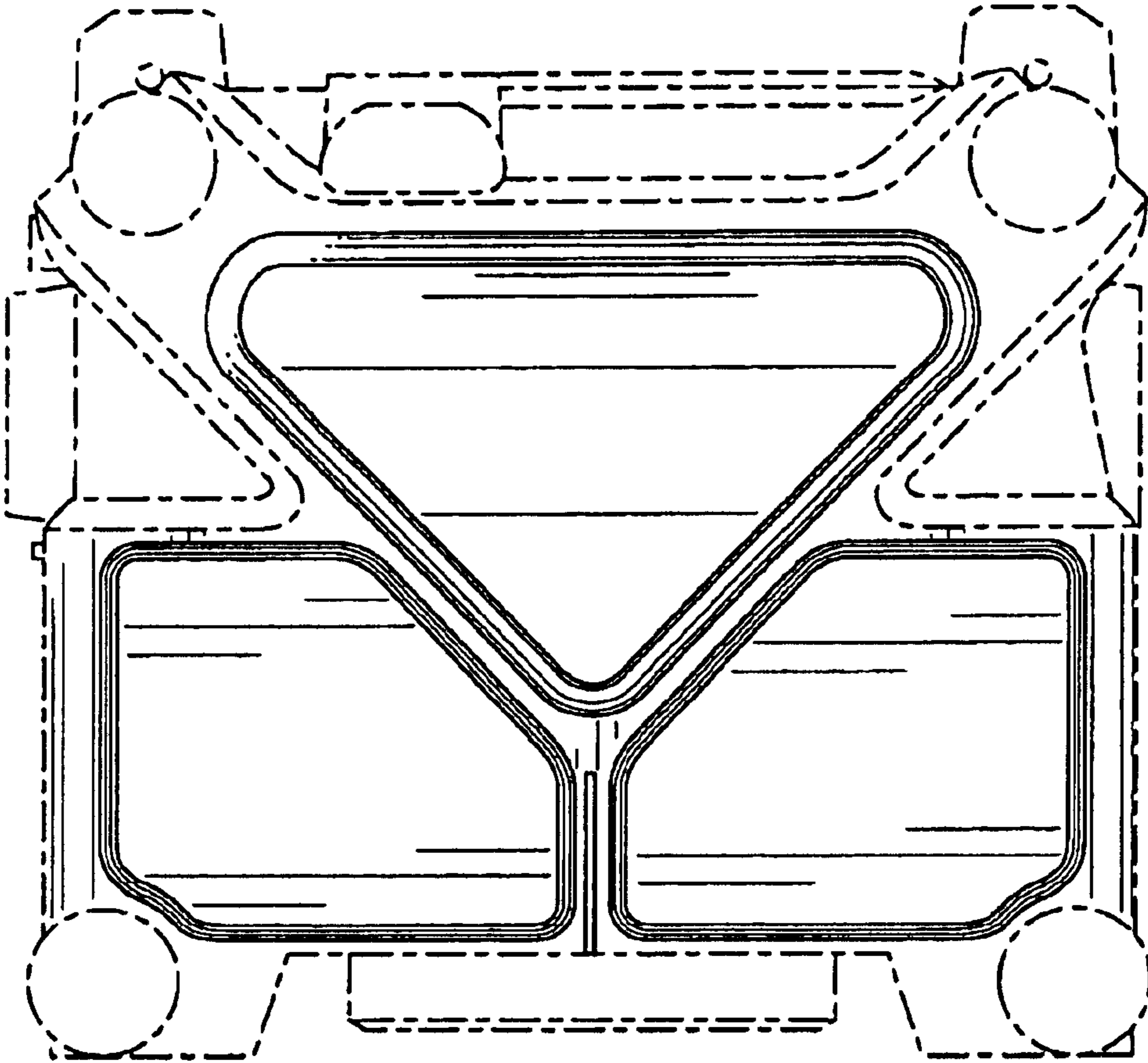


FIG. 2

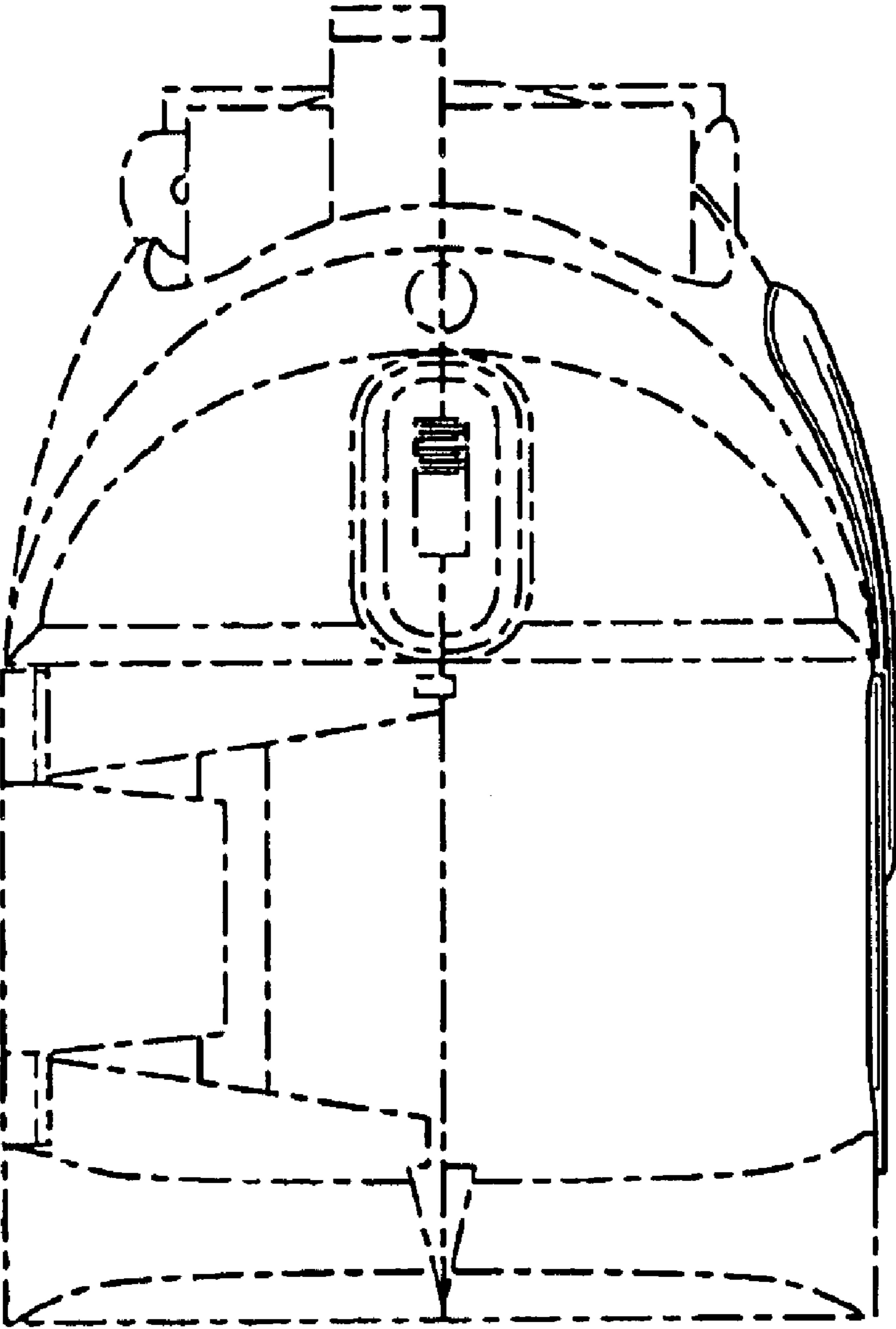


FIG. 3

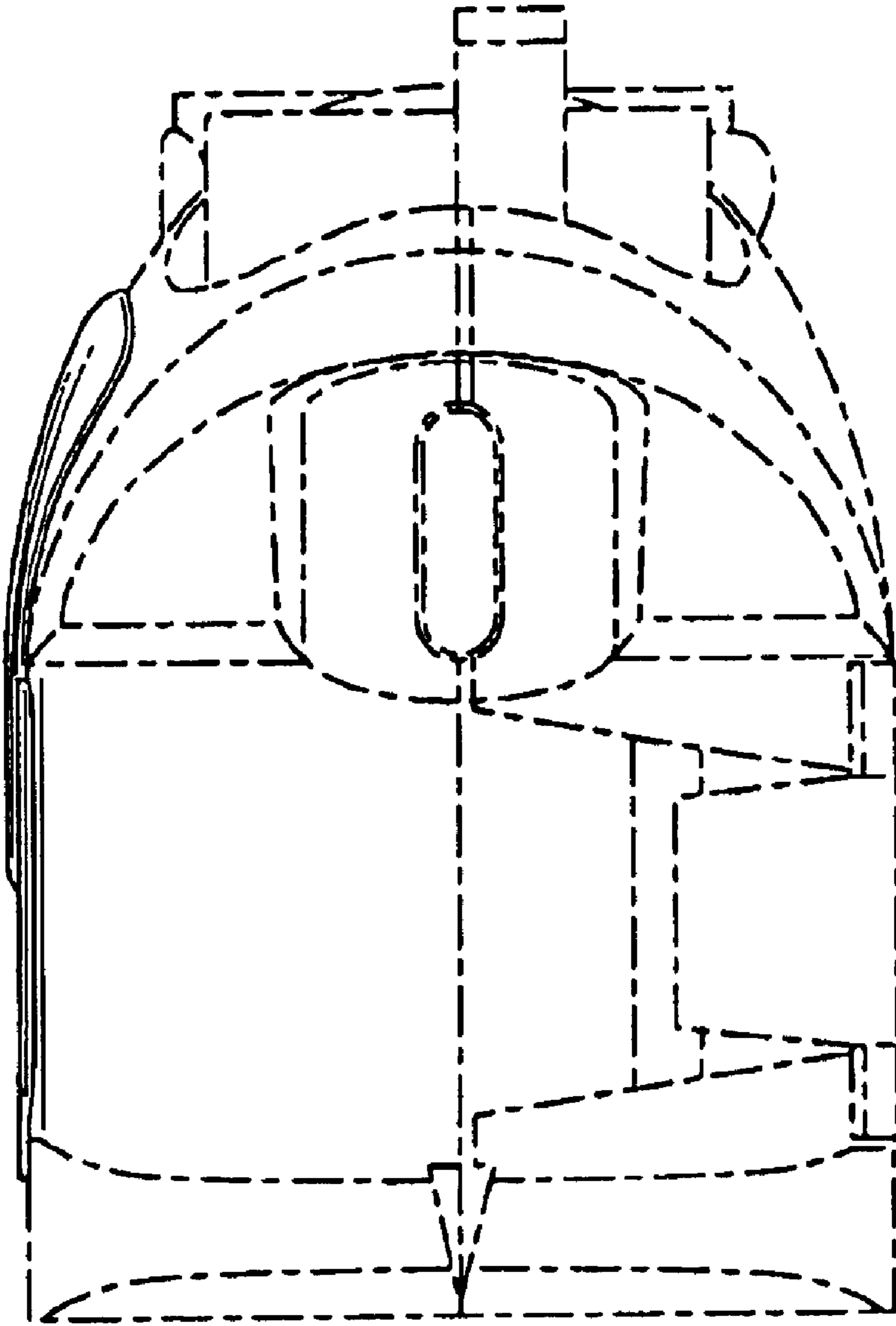


FIG. 4

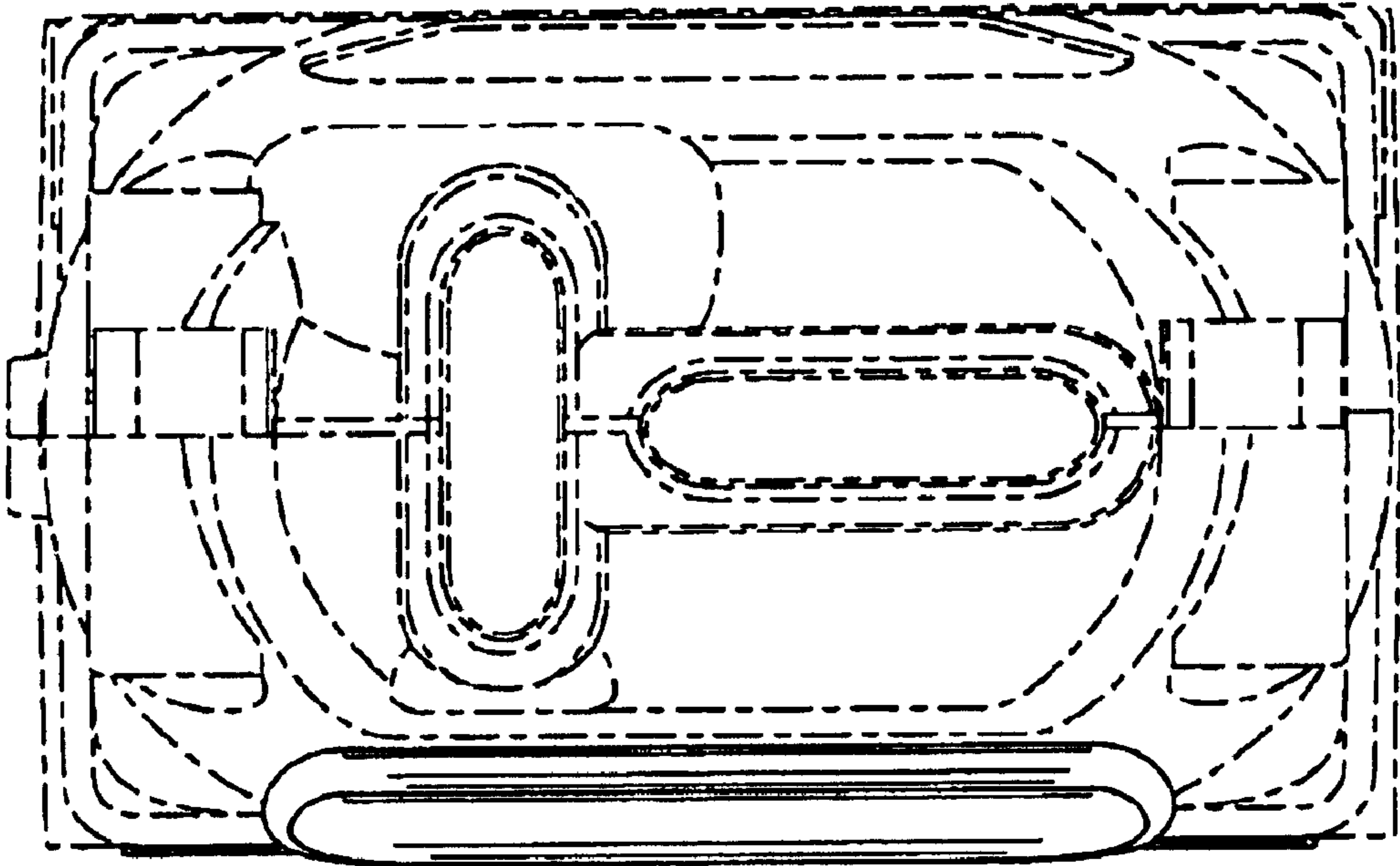


FIG. 5

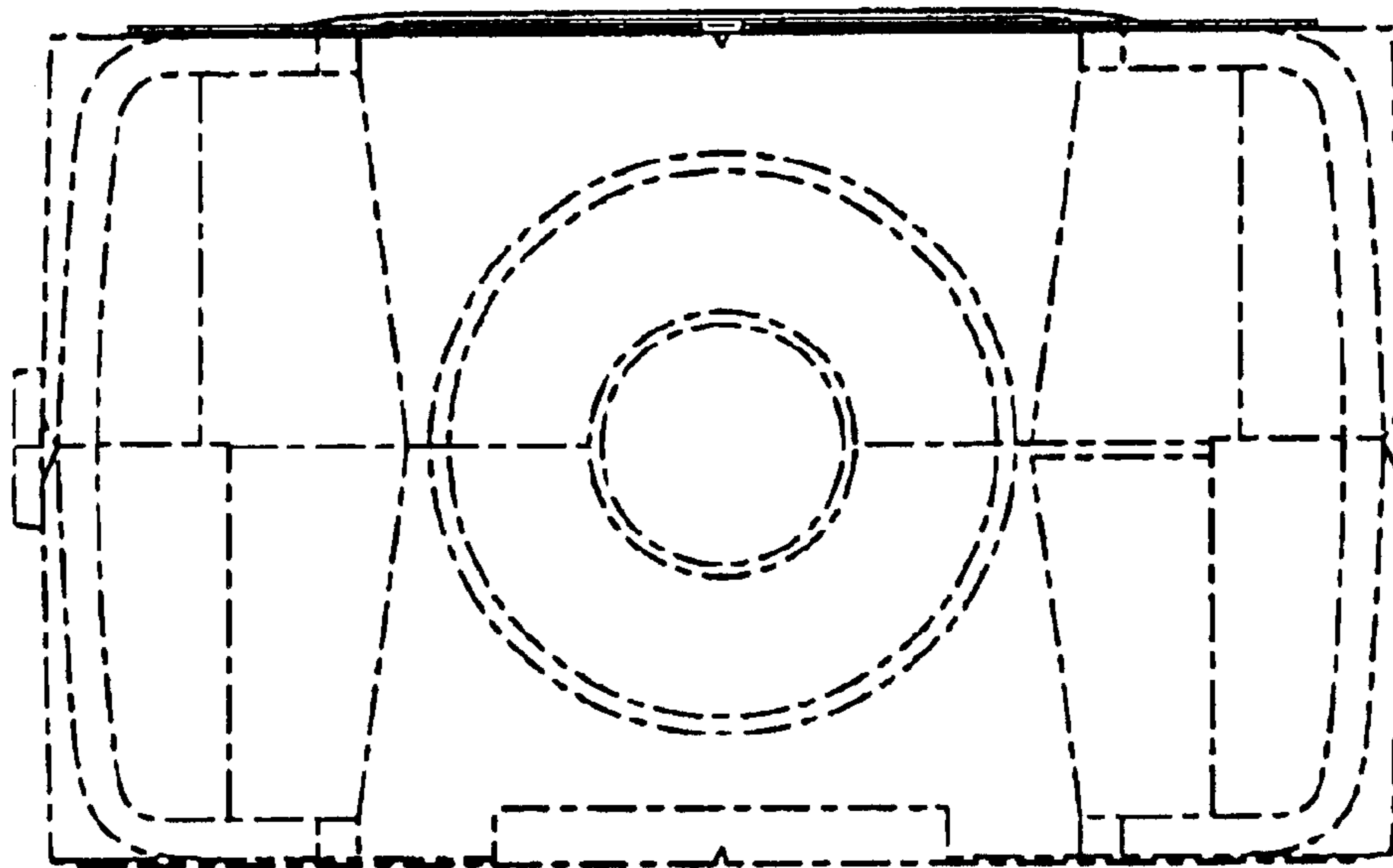


FIG. 6