

US00D500252S

(12) **United States Design Patent**  
**Hsu**

(10) **Patent No.:** **US D500,252 S**

(45) **Date of Patent:** **\*\* Dec. 28, 2004**

(54) **LCD CLOCK**

(76) **Inventor:** **Hua-Wen Hsu**, 3F, 20, Alley 1, Lane  
768, Pa-Te Road, Sec. 4, Taipei (TW)

(\*\*) **Term:** **14 Years**

(21) **Appl. No.:** **29/192,885**

(22) **Filed:** **Oct. 29, 2003**

(51) **LOC (7) Cl.** ..... **10-01**

(52) **U.S. Cl.** ..... **D10/18; D10/15**

(58) **Field of Search** ..... **D10/1-40, 122-132;**  
**368/41-44, 82-84, 28-30, 239-242, 276-277,**  
**280-282, 285**

(56) **References Cited**

**U.S. PATENT DOCUMENTS**

D301,309 S	*	5/1989	Houlihan	.....	D10/15
D329,609 S	*	9/1992	Wolff	.....	D10/2
D337,950 S	*	8/1993	Davis	.....	D10/15
D359,455 S	*	6/1995	Wong	.....	D10/15
D375,689 S	*	11/1996	Wong	.....	D10/15
D375,902 S	*	11/1996	Wong	.....	D10/15
D382,820 S	*	8/1997	Chan	.....	D10/40

D399,139 S	*	10/1998	Carels	.....	D10/15
D413,812 S	*	9/1999	Duke	.....	D10/18
D476,239 S	*	6/2003	Hsu	.....	D10/18

\* cited by examiner

*Primary Examiner*—Nelson C. Holtje  
(74) *Attorney, Agent, or Firm*—Pro-Techtor International  
Services

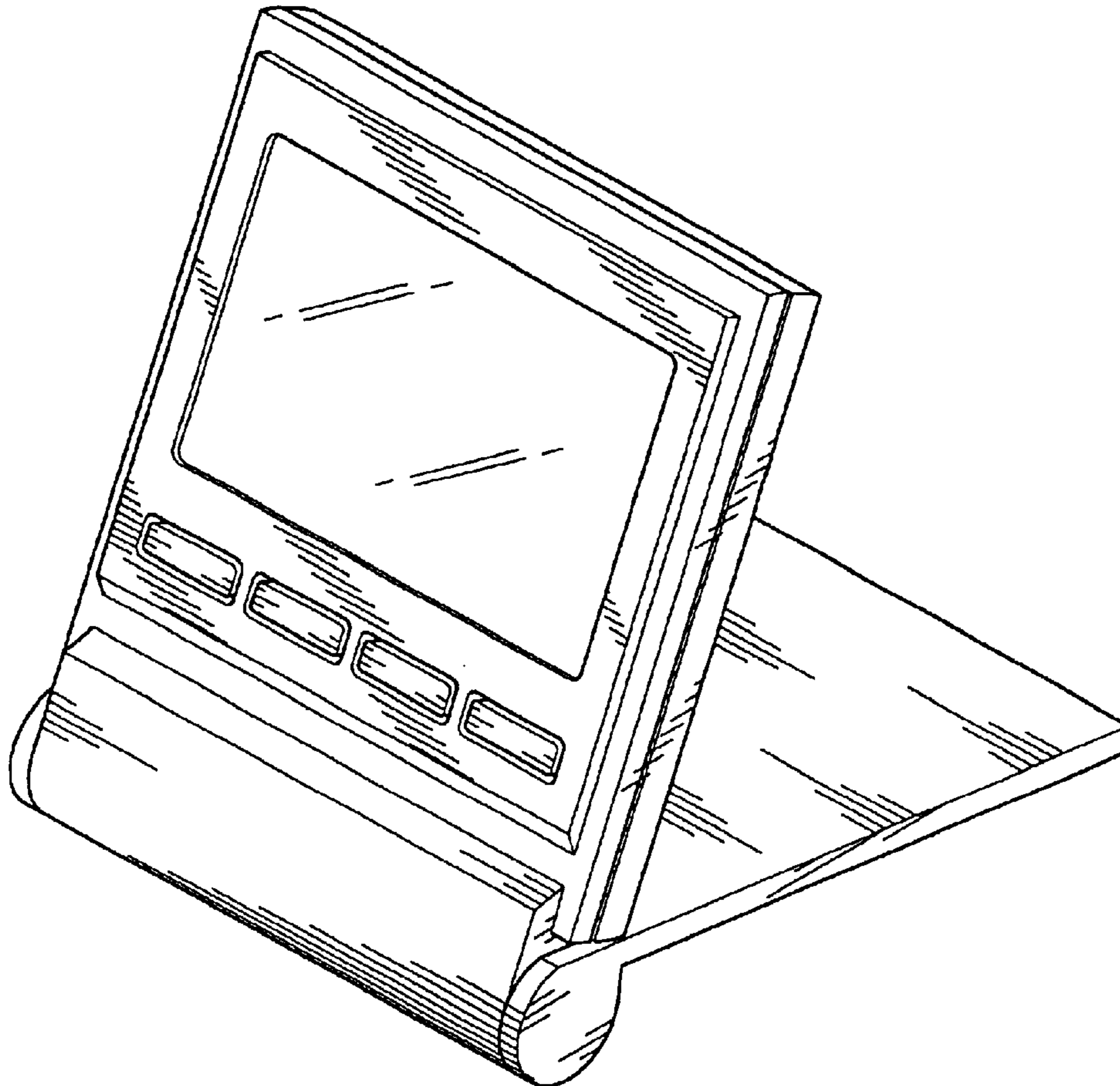
(57) **CLAIM**

The ornamental design for a LCD clock, as shown and described.

**DESCRIPTION**

FIG. 1 is a front perspective view of a LCD clock showing my new design;  
FIG. 2 is a front elevational view thereof;  
FIG. 3 is a back elevational view thereof;  
FIG. 4 is a left side elevational view thereof;  
FIG. 5 is a right side elevational view thereof;  
FIG. 6 is a top plan view thereof;  
FIG. 7 is a bottom plan view thereof; and,  
FIG. 8 is a front perspective view in closed position thereof.

**1 Claim, 5 Drawing Sheets**



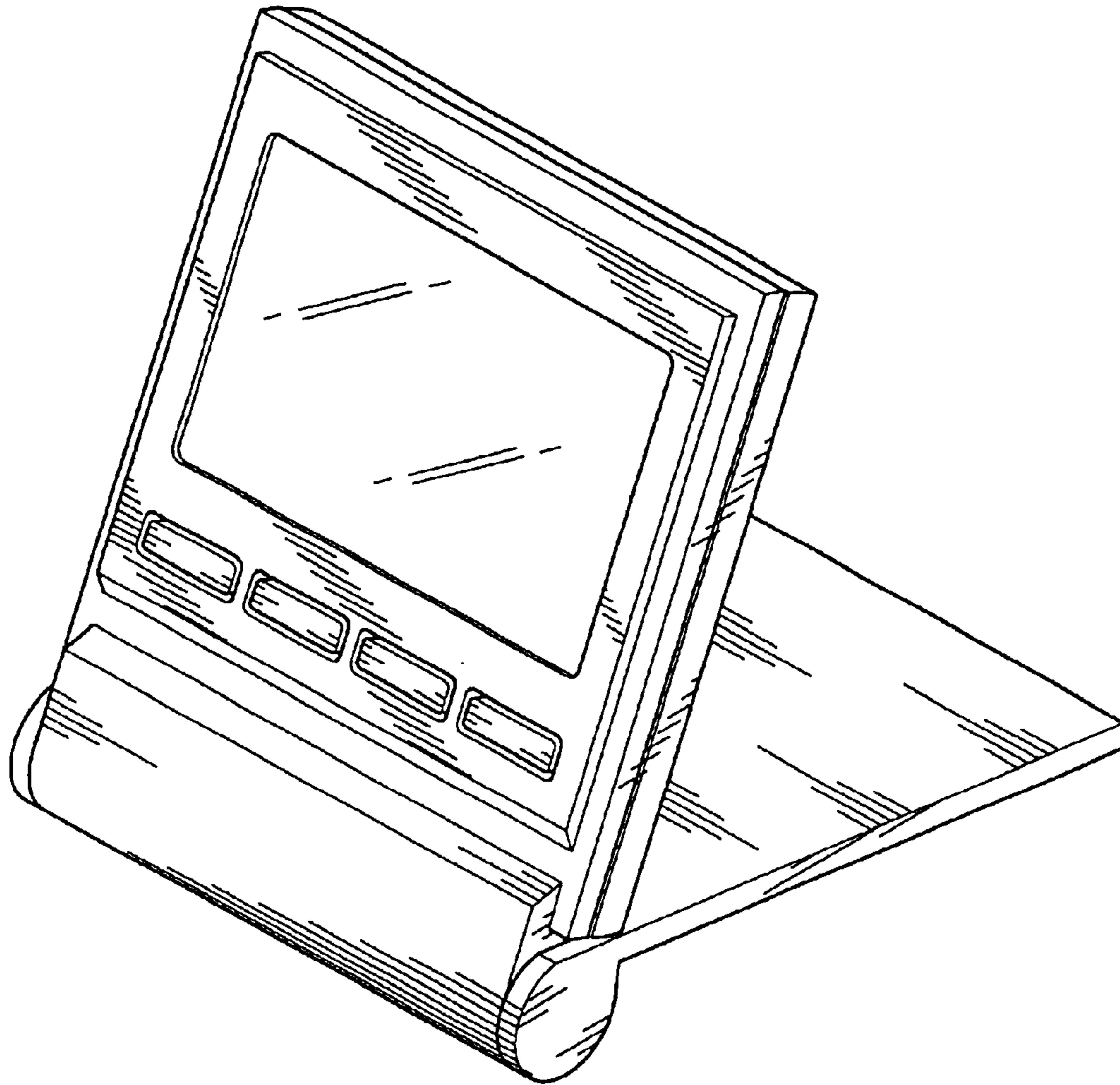


FIG. 1

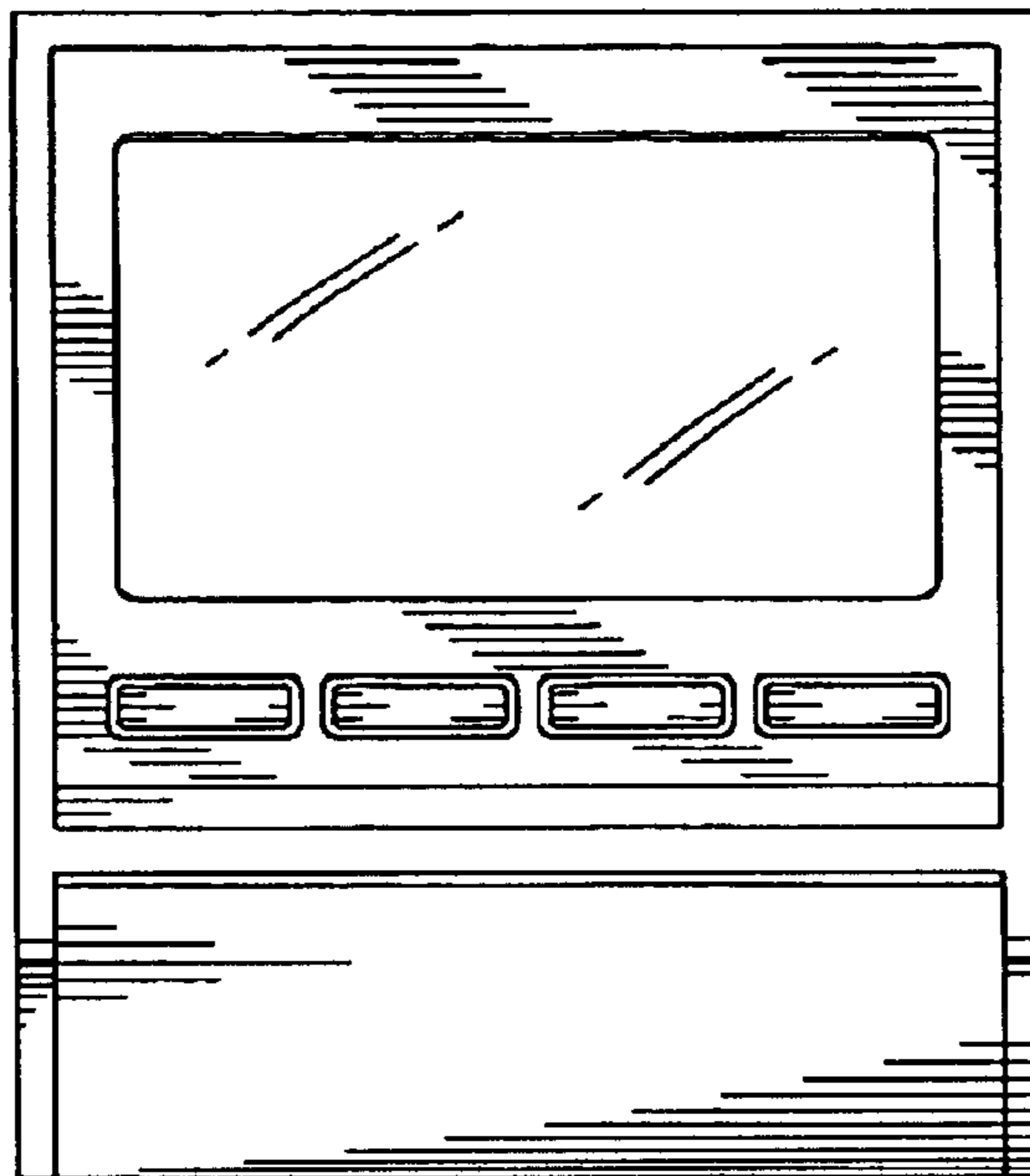


FIG. 2

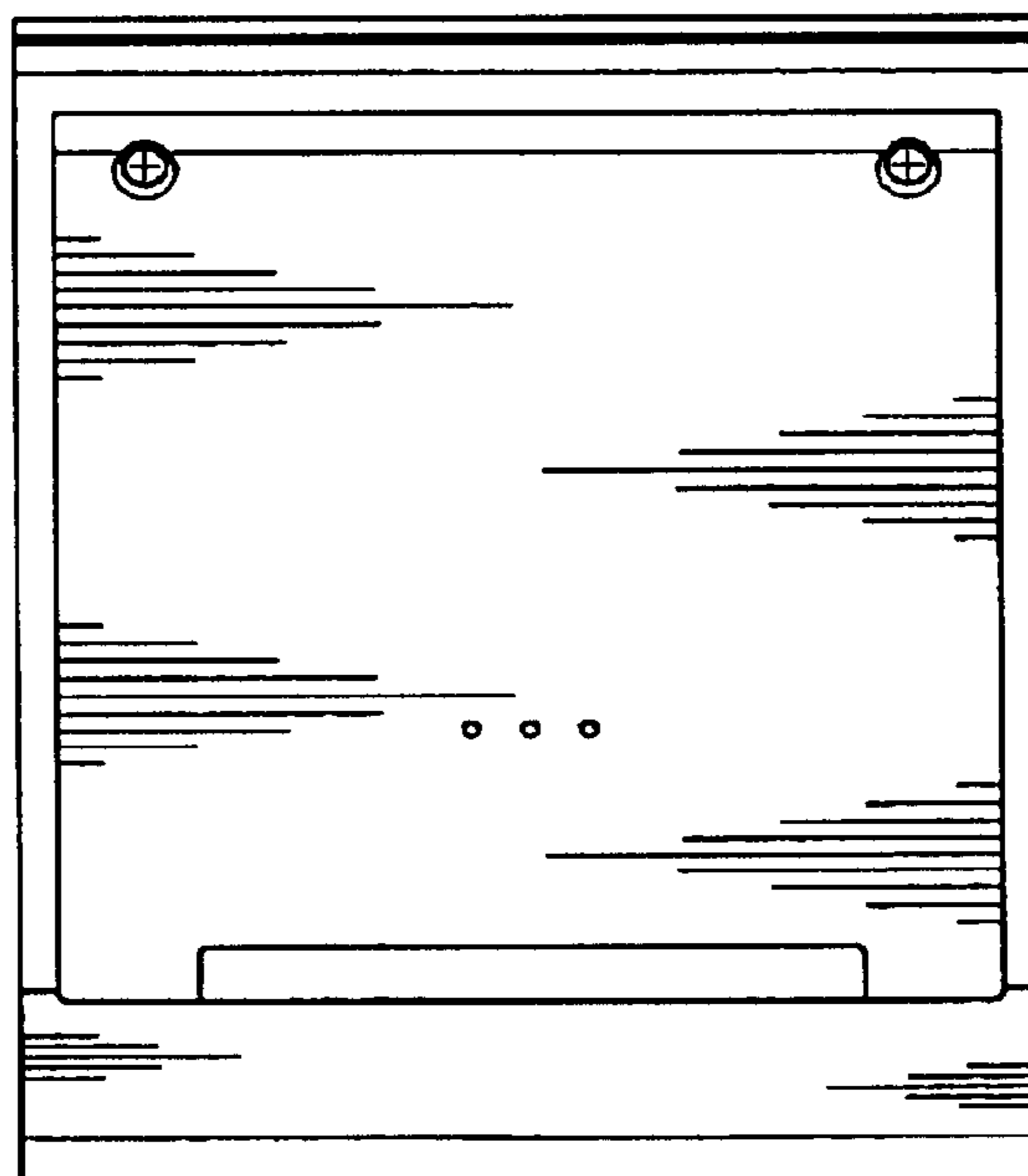


FIG. 3

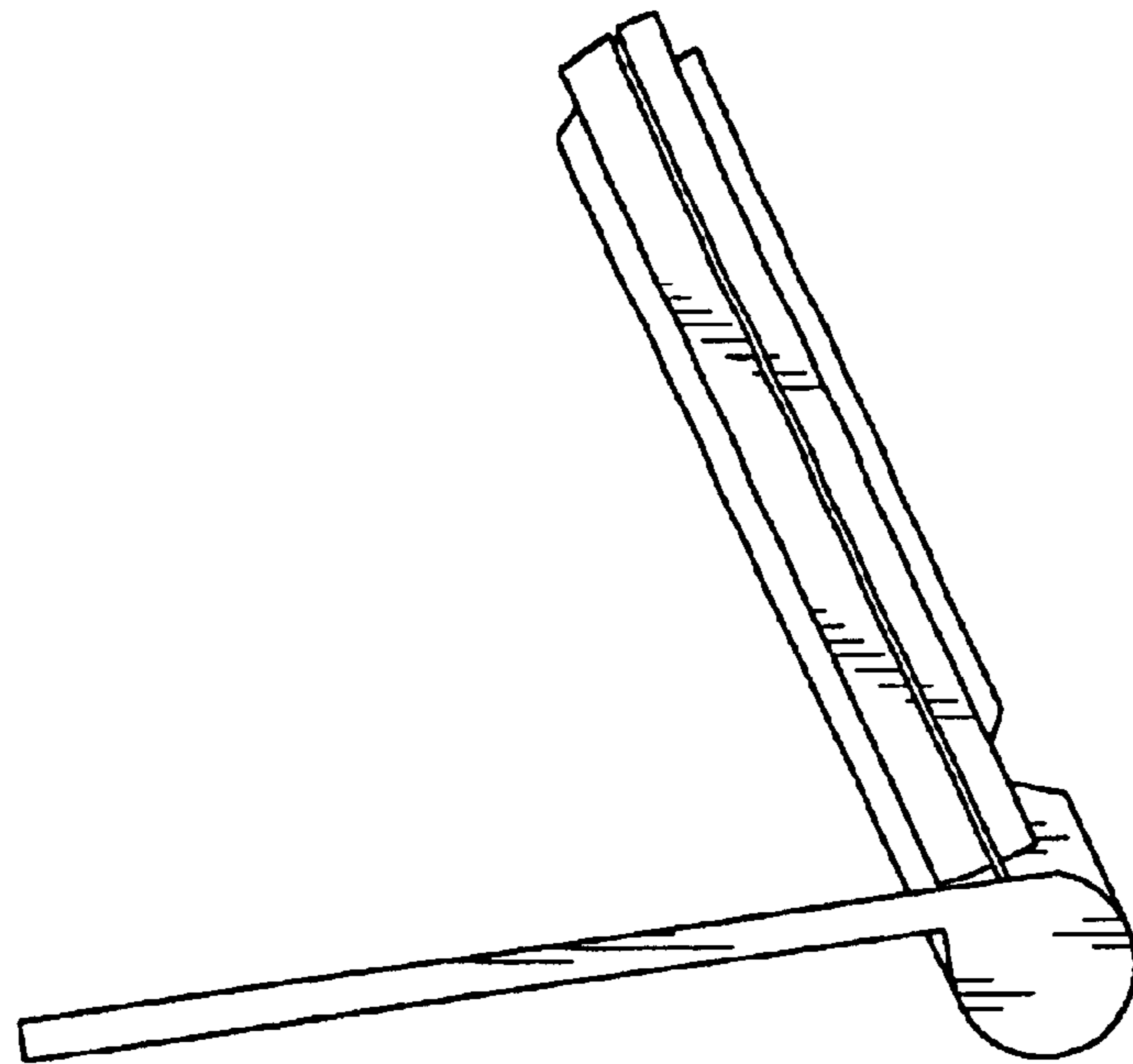


FIG. 4

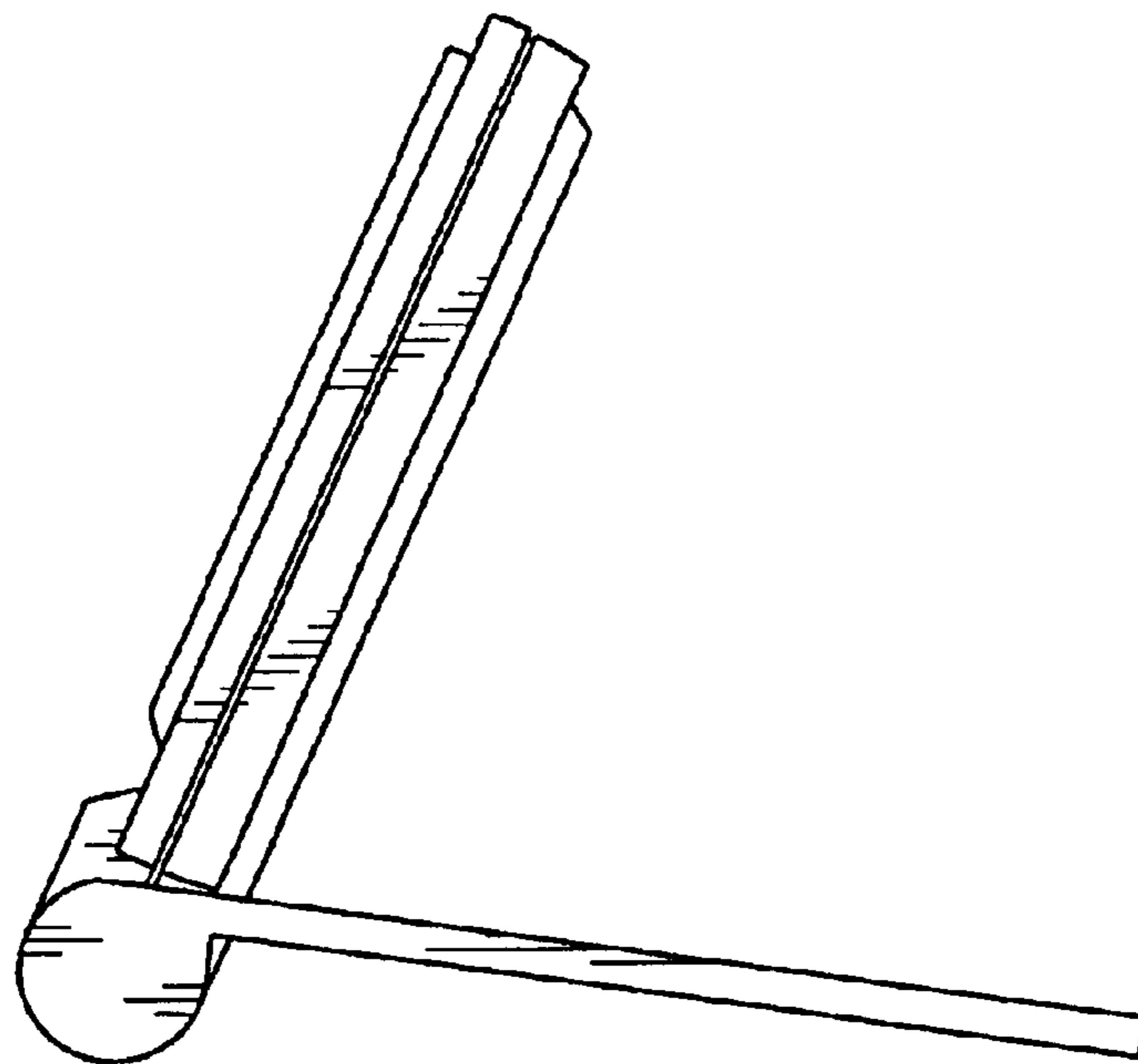


FIG. 5

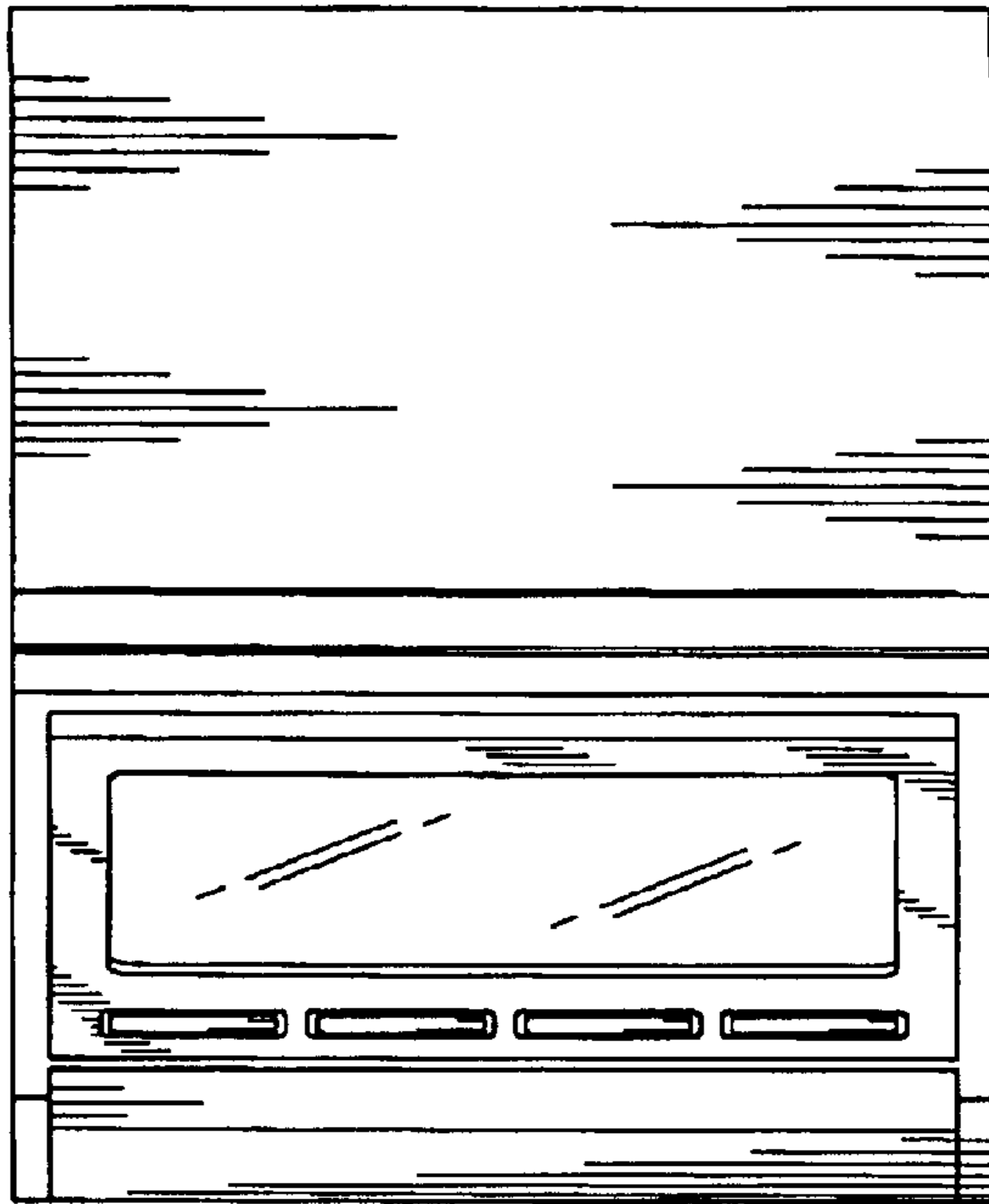


FIG. 6

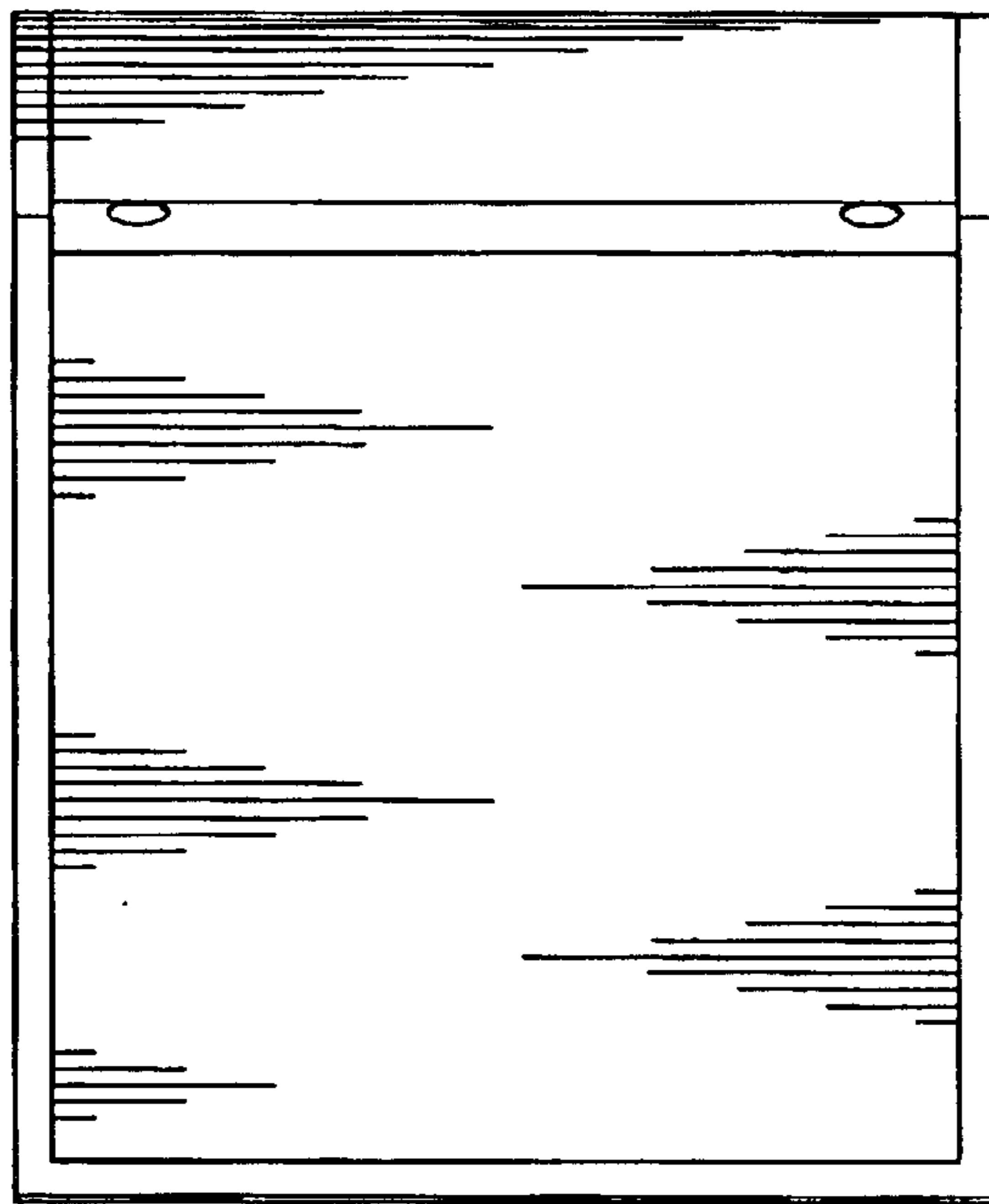


FIG. 7

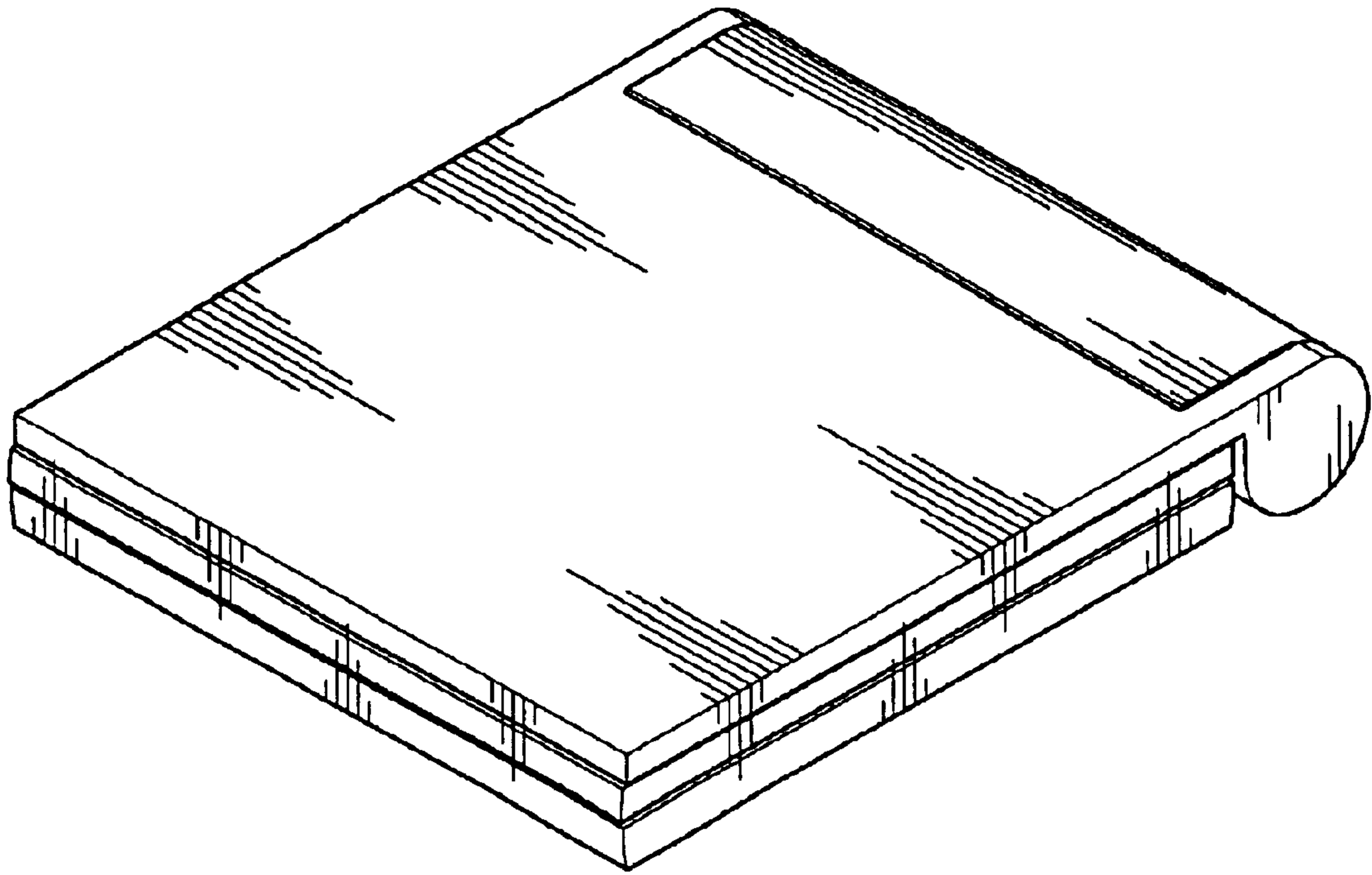


FIG. 8