

US00D500251S

(12) **United States Design Patent**
Harris, Jr. et al.

(10) **Patent No.: US D500,251 S**
(45) **Date of Patent: ** Dec. 28, 2004**

(54) **ALARM CLOCK**

(75) Inventors: **Kenneth David Harris, Jr.**, Nashua, NH (US); **Rudy Woodard**, Boston, MA (US); **Tim Trzepacz**, Nashua, NH (US)

(73) Assignee: **Brookstone Purchasing, Inc.**, Merrimack, NH (US)

(**) Term: **14 Years**

(21) Appl. No.: **29/193,733**

(22) Filed: **Nov. 13, 2003**

(51) **LOC (7) Cl.** **10-01**

(52) **U.S. Cl.** **D10/15**

(58) **Field of Search** D10/1-40, 122-132;
368/41-44, 82-84, 28-30, 239-242, 276-277,
280-282, 285

(56) **References Cited**

U.S. PATENT DOCUMENTS

D270,522 S * 9/1983 Cook D10/15
D301,309 S * 5/1989 Houlihan D10/15

D329,609 S * 9/1992 Wolff D10/2
D348,397 S * 7/1994 Davis D10/15
D363,228 S * 10/1995 Healey D10/15
D476,239 S * 6/2003 Hsu D10/18

* cited by examiner

Primary Examiner—Nelson C. Holtje
(74) *Attorney, Agent, or Firm*—Nixon Peabody LLP

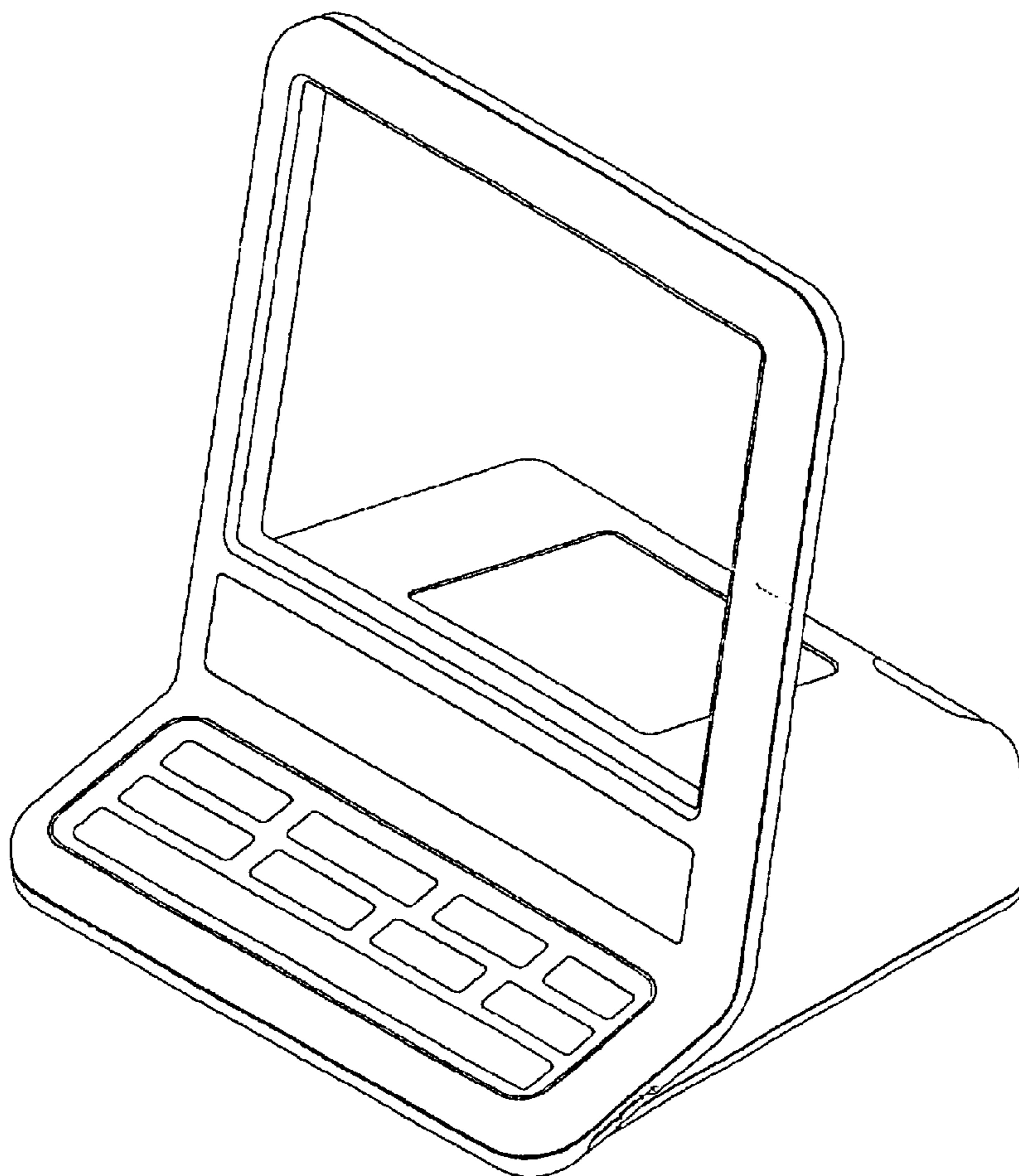
(57) **CLAIM**

I claim the ornamental design for an alarm clock, as shown and described.

DESCRIPTION

FIG. 1 is a front perspective view of an alarm clock showing our new design;
FIG. 2 is a top plan view thereof;
FIG. 3 is a front elevational view thereof;
FIG. 4 is a back elevational view thereof;
FIG. 5 is a right-side elevational view thereof;
FIG. 6 is a left-side elevational view thereof; and,
FIG. 7 is a bottom plan view thereof.

1 Claim, 7 Drawing Sheets



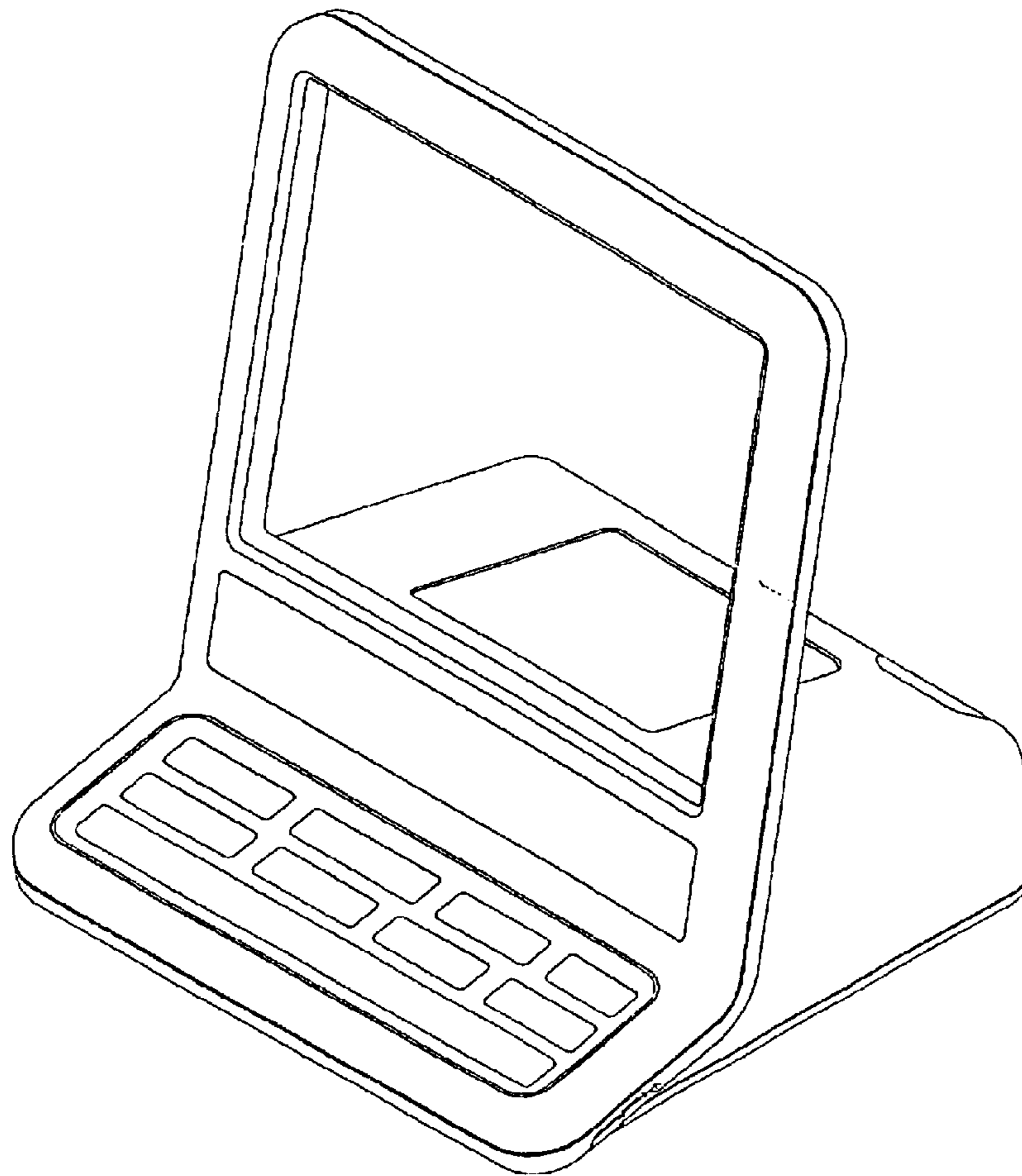


FIG.1

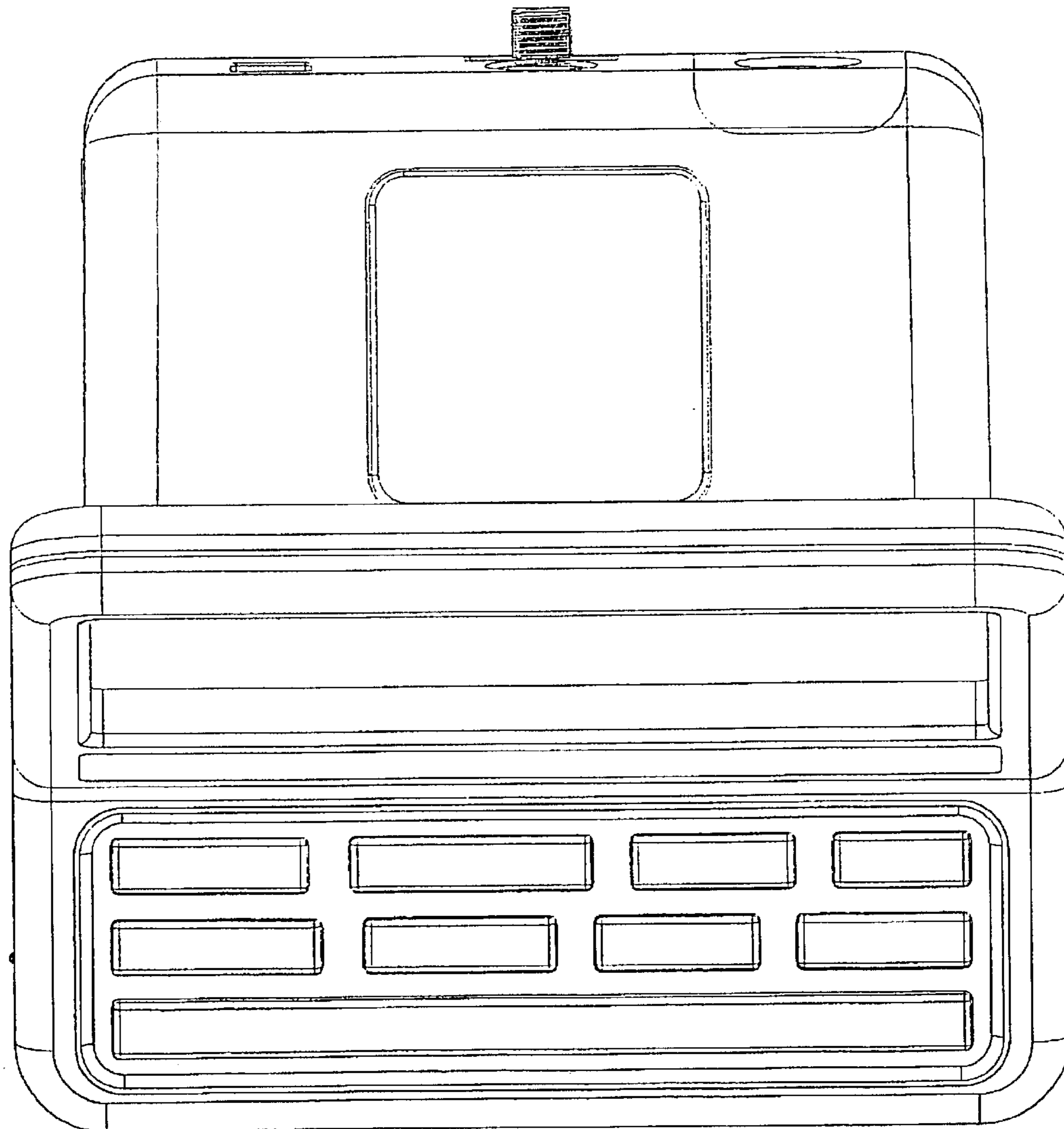


FIG. 2

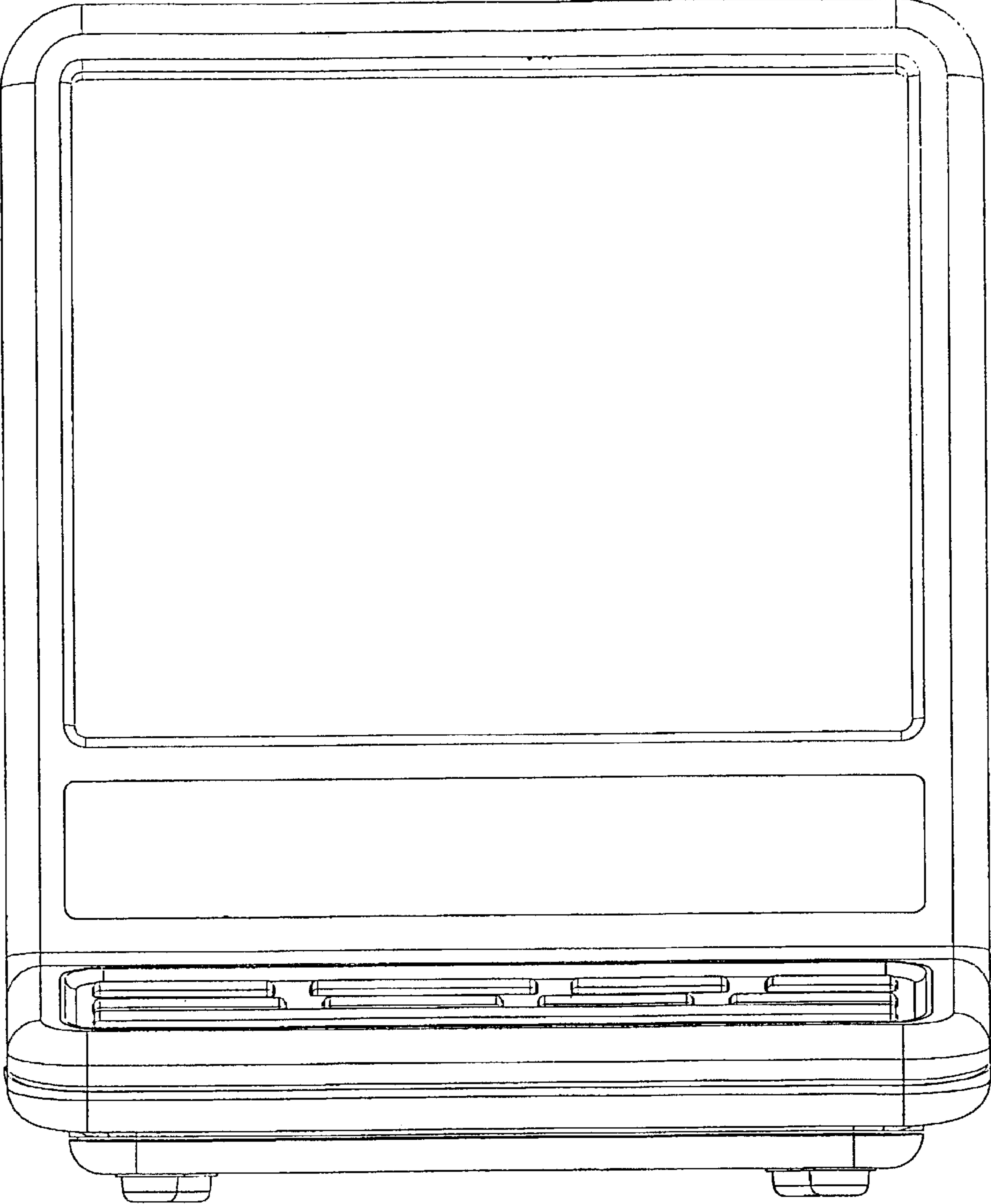


FIG. 3

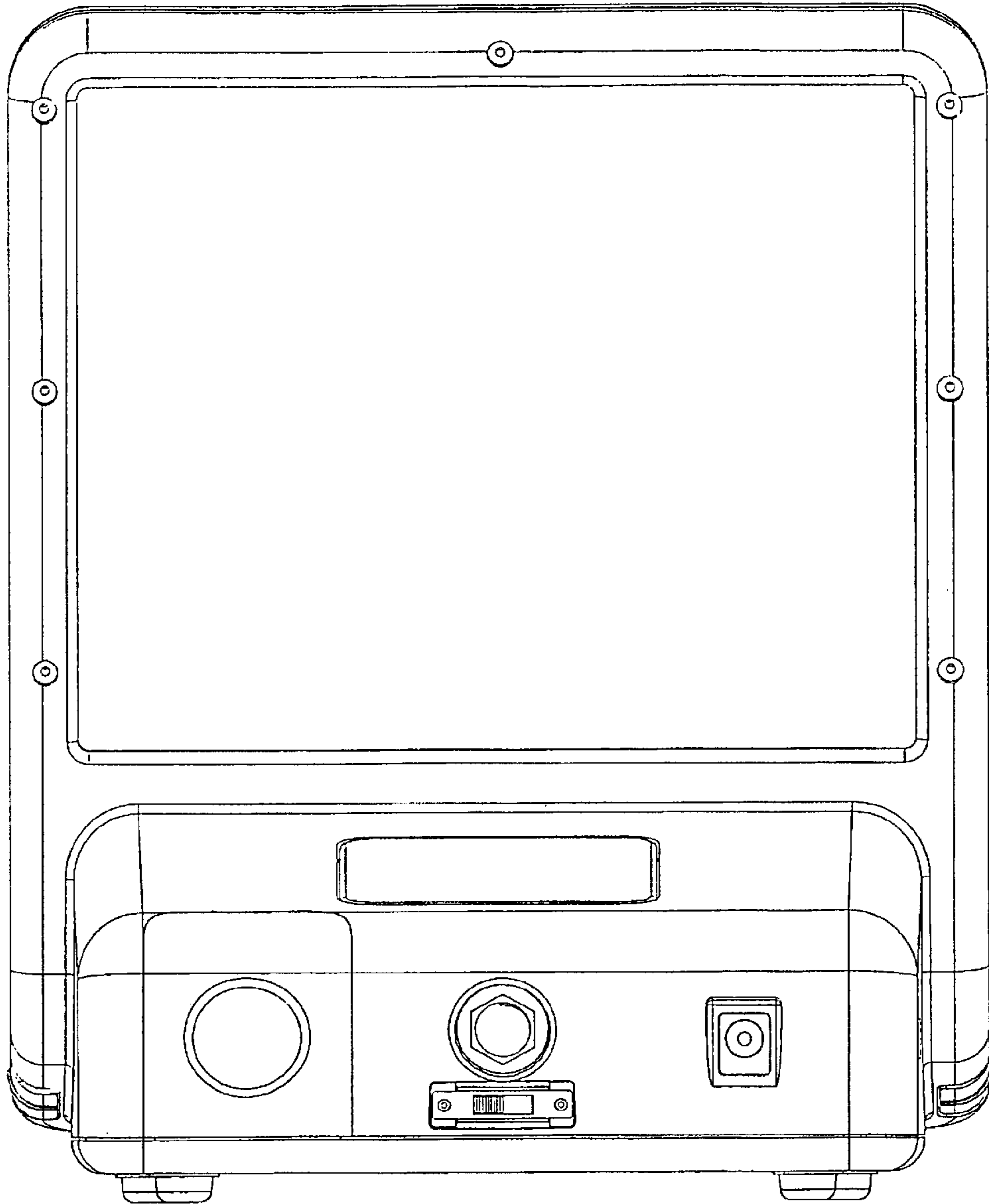


FIG. 4

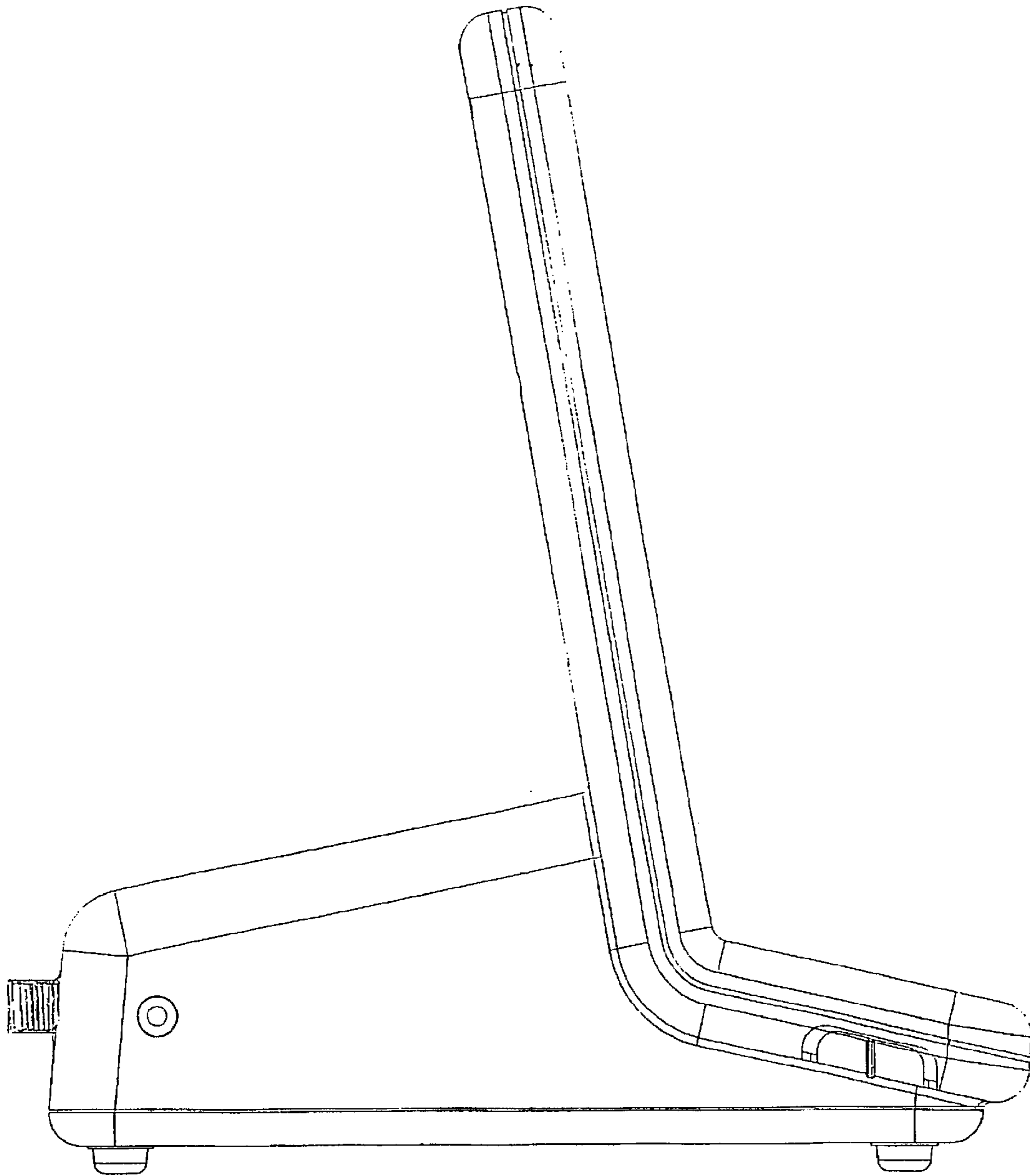


FIG. 5

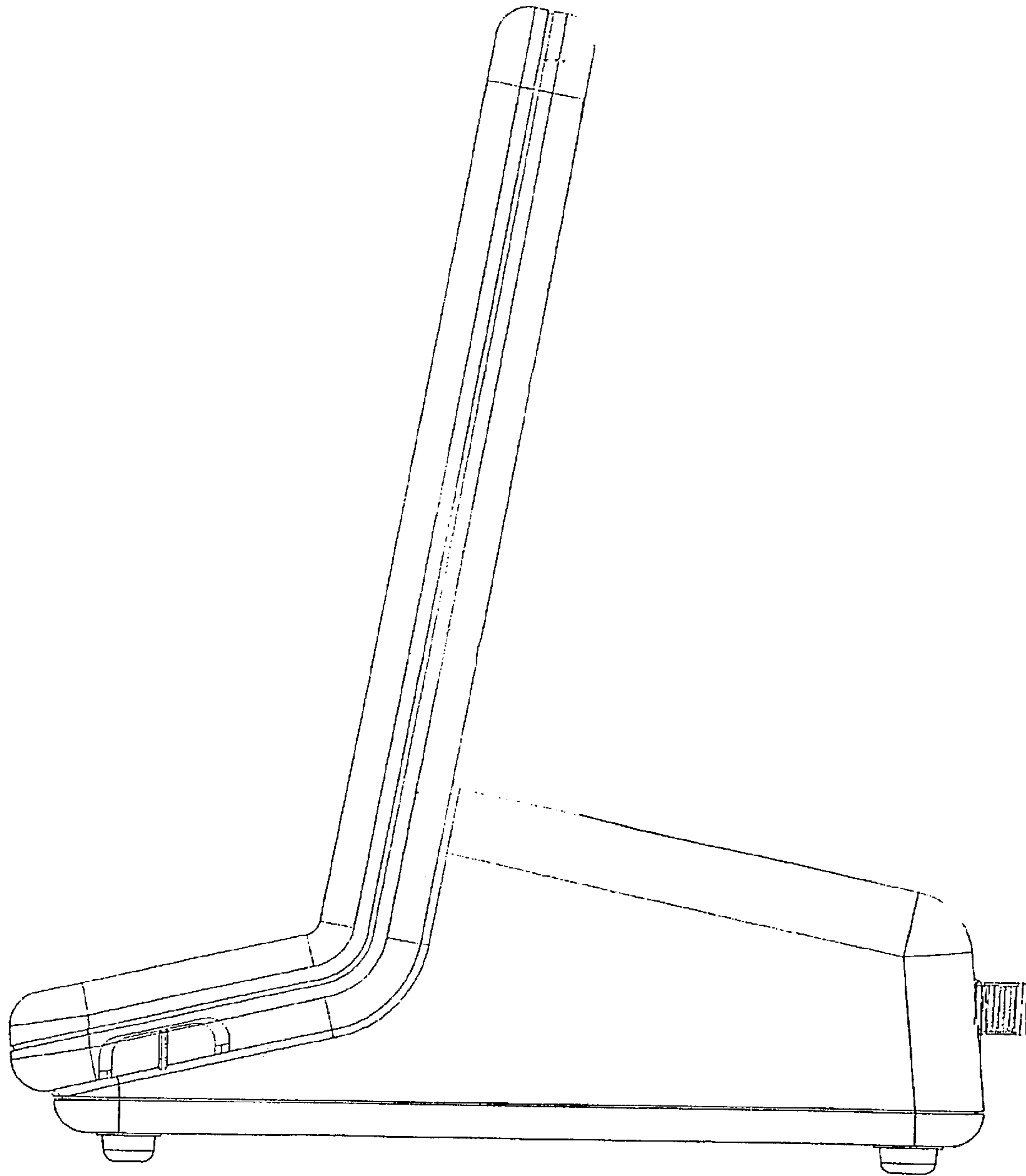


FIG. 6

FIG. 7

