

US00D500246S

(12) **United States Design Patent** (10) **Patent No.:** **US D500,246 S**  
**Gimpel et al.** (45) **Date of Patent:** **\*\* Dec. 28, 2004**

(54) **DISPLAY FRAMEWORK HUB**

(75) Inventors: **Dixon S. Gimpel**, Credit River, MN (US); **Curtis H. Lindblom**, Oakdale, MN (US)

(73) Assignee: **Skyline Displays, Inc.**, Eagan, MN (US)

(\*\*) Term: **14 Years**

(21) Appl. No.: **29/198,174**

(22) Filed: **Jan. 26, 2004**

**Related U.S. Application Data**

(63) Continuation of application No. 10/601,843, filed on Jun. 23, 2003.

(60) Provisional application No. 60/390,489, filed on Jun. 21, 2002.

(51) **LOC (7) Cl.** ..... **08-08**

(52) **U.S. Cl.** ..... **D8/382**

(58) **Field of Search** ..... D8/382; 403/170-171, 403/219

(56) **References Cited**

**U.S. PATENT DOCUMENTS**

2,477,260	A	*	7/1949	Moffatt	.....	403/171
2,676,025	A		4/1954	Davis		
3,483,998	A		12/1969	Butler		
3,606,027	A		9/1971	Clements		
3,787,134	A		1/1974	Burr		

(List continued on next page.)

**FOREIGN PATENT DOCUMENTS**

CA	1048970	2/1979
DE	9017415.1	12/1990
DE	296 19 015 U 1	2/1997
DE	298 21 204 U 1	4/1999
DE	203 09 076 U 1	9/2003
EP	1 164 230 A1	12/2001
WO	WO 89/06724	7/1989

**OTHER PUBLICATIONS**

- Skyline Displays, Inc., *ps2000 brochure*, 2001.
- Skyline Displays, Inc., *imagine that. brochure*, 2000.
- Skyline Displays, Inc., *design ideas brochure*, 2000.
- Skyline Displays, Inc., *How Do You Market Your e-Business Offline? brochure*, 2001.
- Skyline Displays, Inc., *mirage plus brochure*, 2001.
- Skyline Displays, Inc., *skytruss brochure*, 2001.
- Trussworks, Truss Catalog web page printout, *Truss Parts*, Aug. 17, 2001.
- Trussworks, Truss Catalog web page printout, *Trussworks Photos, Graphics Frame*, p. 1, Aug. 17, 2001.
- Trussworks, Truss Catalog web page printout, *Trussworks Photos, Graphics Frame*, p. 2, Aug. 17, 2001.
- Trussworks, Truss Catalog web page printout, *Trussworks Photos, Exhibit Photos*, p. 1, Aug. 17, 2001.
- Trussworks, Truss Catalog web page printout, *Trussworks Photos, Graphics Frame*, p. 12 Aug. 17, 2001.

*Primary Examiner*—Holly Baynham

(74) *Attorney, Agent, or Firm*—Patterson, Thuente, Skaar & Christensen, P.A.

(57) **CLAIM**

We claim the ornamental design for display framework hub, as shown.

**DESCRIPTION**

FIG. 1 is a perspective view of a display framework hub according to an embodiment of the invention.

FIG. 2 is a front view of a display framework hub according to an embodiment of the invention.

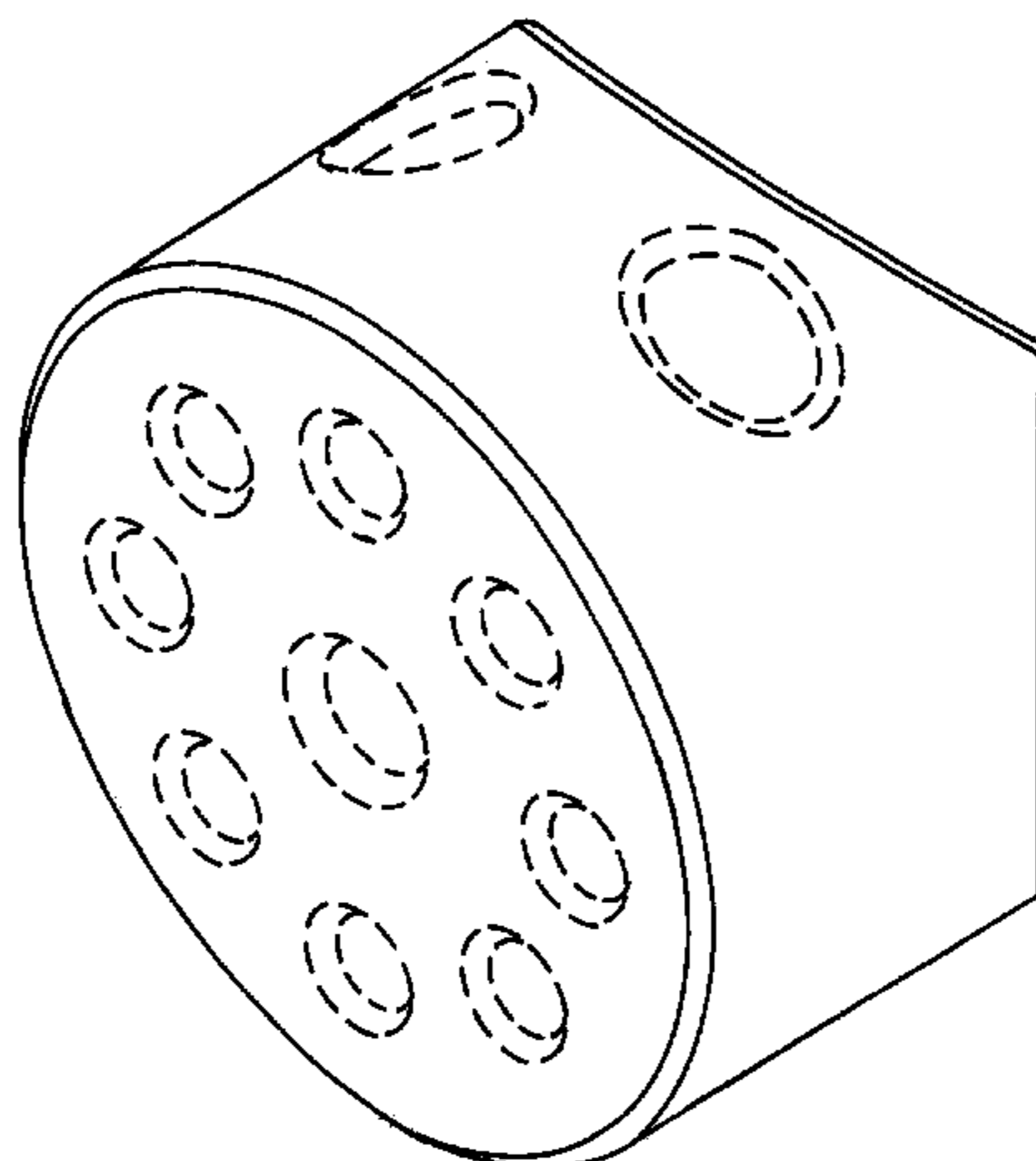
FIG. 3 is a top view of a display framework hub according to an embodiment of the invention.

FIG. 4 is a side view of a display framework hub according to an embodiment of the invention. Due to the symmetry of this portion of the design, the other side view is the same; and,

FIG. 5 is a back view of a display framework hub according to an embodiment of the invention.

The broken line showing of structure is for illustrative purposes only and forms no part of the claimed design.

**1 Claim, 3 Drawing Sheets**



# US D500,246 S

Page 2

U.S. PATENT DOCUMENTS					
			5,351,843 A	10/1994	Wichman et al.
			5,370,249 A	12/1994	Harvey et al.
3,812,629 A	5/1974	Campbell	5,501,051 A	3/1996	Harlan
3,980,408 A	9/1976	Jachmann	5,536,097 A	7/1996	Hazan
4,150,907 A	4/1979	Thurnauer	5,537,766 A	7/1996	Nickens et al.
4,212,445 A	7/1980	Hagen	5,549,408 A	8/1996	Lo
4,345,849 A	8/1982	Stenemann	D373,692 S	9/1996	Staeger
4,355,918 A	10/1982	Van Vliet	5,561,960 A	10/1996	Minnick et al.
4,455,103 A	6/1984	Hackenberg	5,651,630 A	7/1997	Nomura
4,471,548 A	9/1984	Goudie	5,700,102 A *	12/1997	Feleppa ..... 403/170
4,583,359 A	4/1986	Staeger	5,706,622 A	1/1998	Lange
4,800,663 A	1/1989	Zeigler	5,769,247 A	6/1998	Merl
4,815,885 A	3/1989	Wright	D408,560 S	4/1999	Bruder
4,934,858 A	6/1990	Beaulieu	5,957,614 A	9/1999	Aurich
4,951,440 A	8/1990	Staeger	D417,292 S	11/1999	Staeger
4,986,038 A	1/1991	Backer	6,079,178 A	6/2000	Fisher
5,038,529 A	8/1991	Conley et al.	6,149,021 A	11/2000	Beaulieu
5,069,572 A *	12/1991	Niksic ..... 403/170	6,186,134 B1	2/2001	Battersby et al.
5,092,385 A	3/1992	Beaulieu	6,196,568 B1	3/2001	Stevens
5,101,607 A	4/1992	Staeger	6,216,887 B1	4/2001	Soo
5,111,631 A	5/1992	Flood et al.	6,273,633 B1	8/2001	Husson et al.
5,115,623 A	5/1992	Ahlberg	6,405,884 B1	6/2002	Dion
5,203,134 A *	4/1993	Sorenson et al. .... 52/646	6,604,710 B2 *	8/2003	Ohmer et al. .... 244/119
5,253,407 A	10/1993	Jamrus	6,615,562 B2	9/2003	Fritsche et al.
5,269,112 A	12/1993	Weinrub et al.	2001/0050262 A1	12/2001	LaBruna, Jr. et al.
5,271,685 A	12/1993	Stark			
5,277,512 A	1/1994	Dwillies			

\* cited by examiner

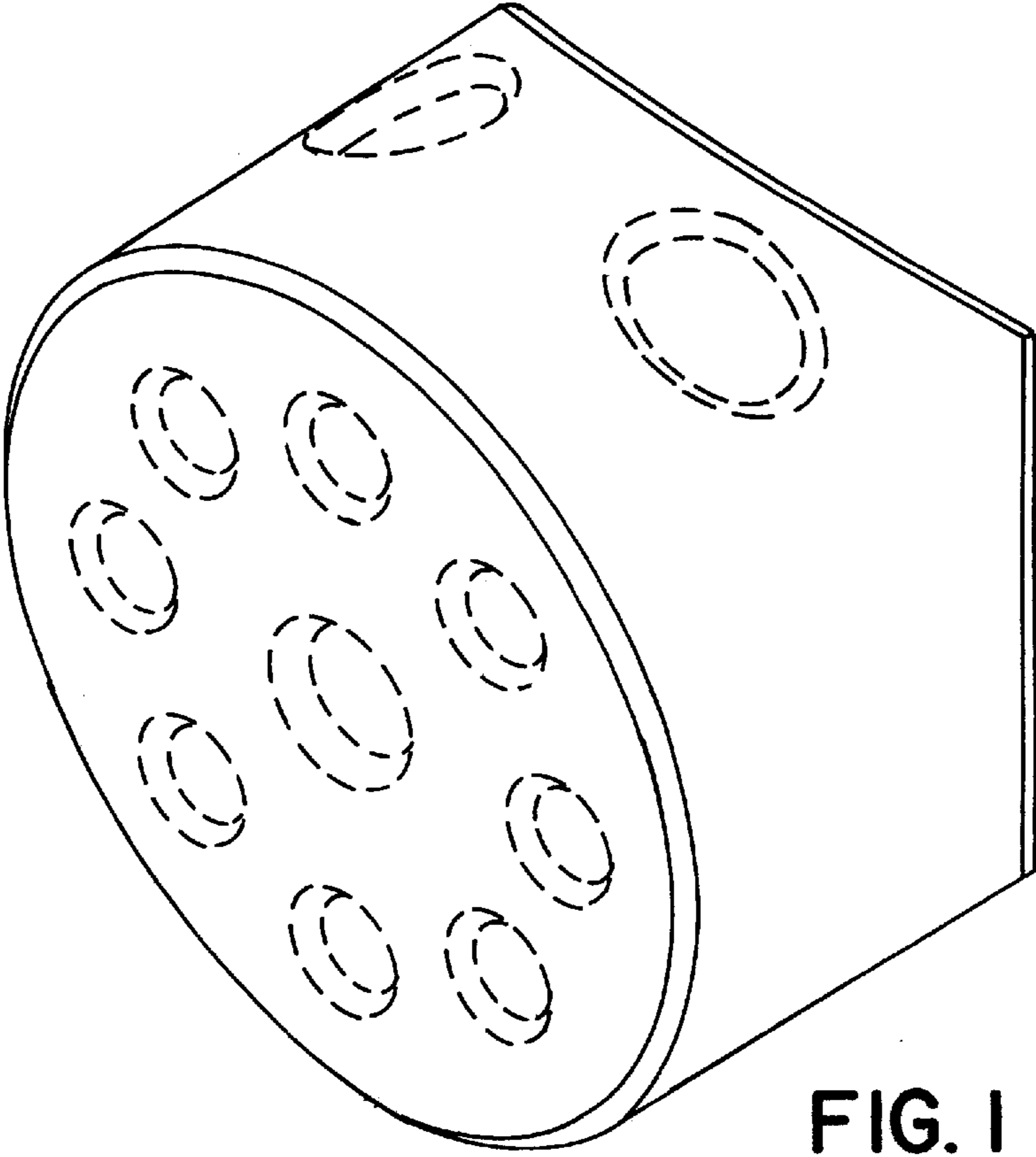


FIG. 1

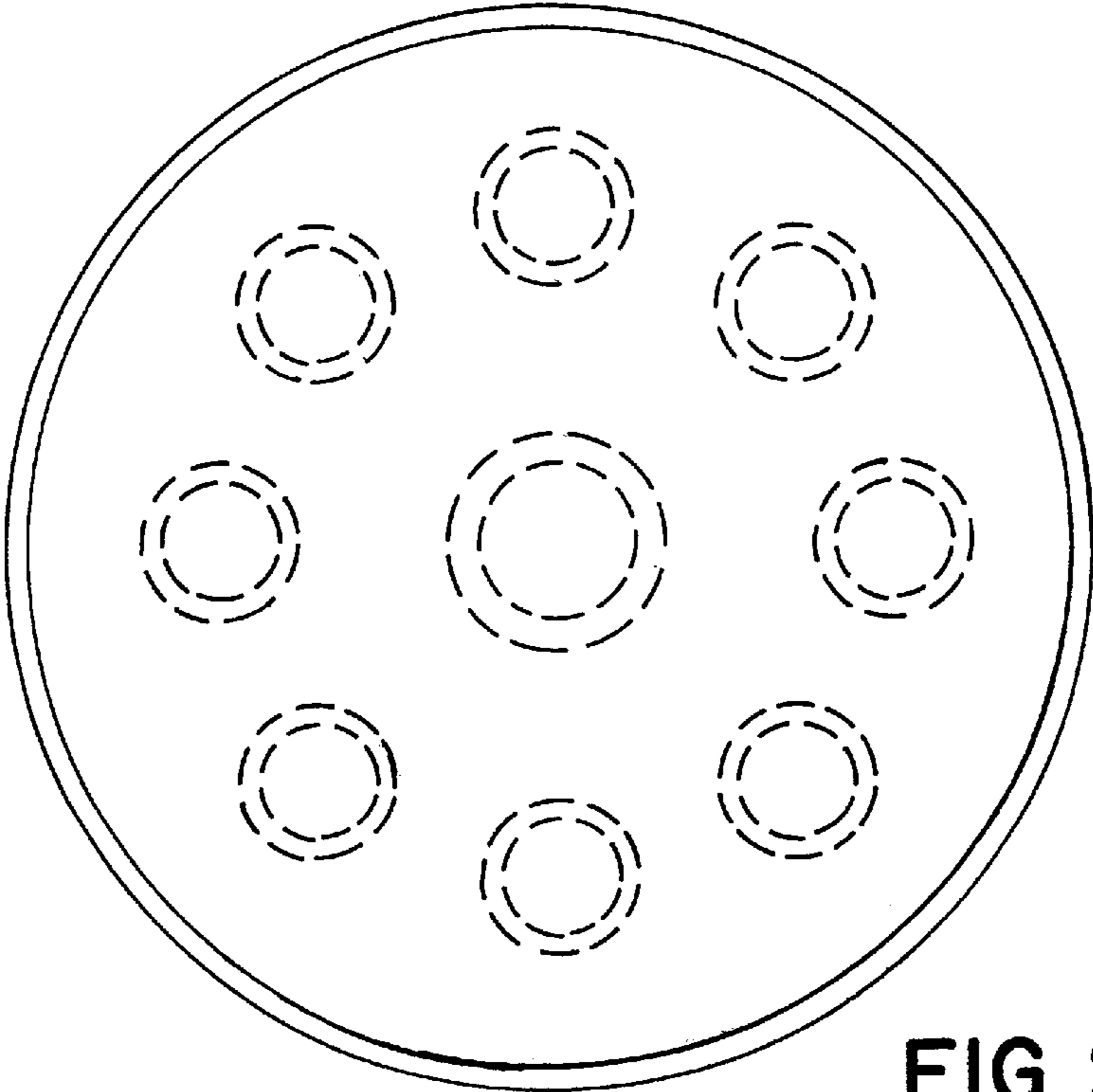


FIG. 2

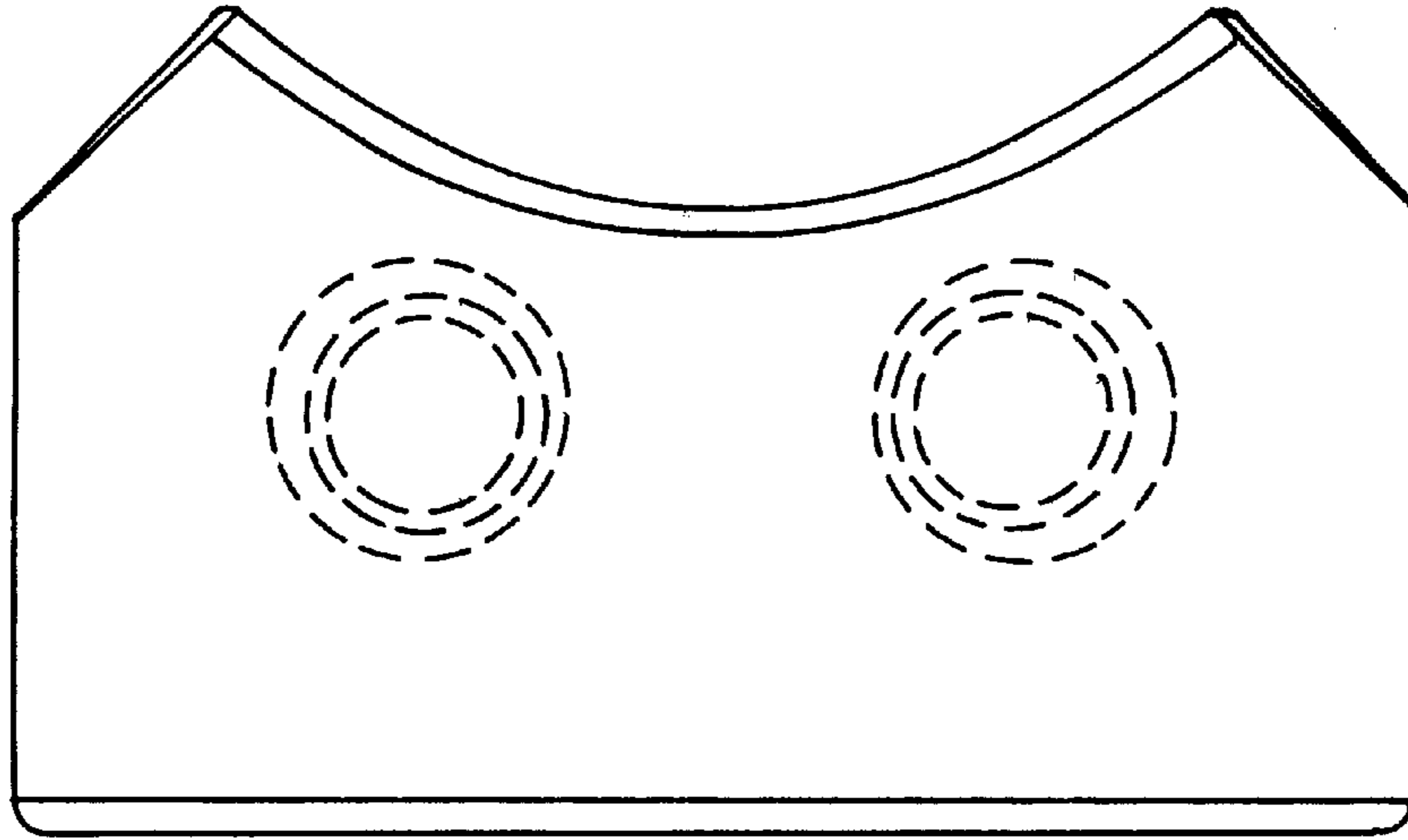


FIG. 3

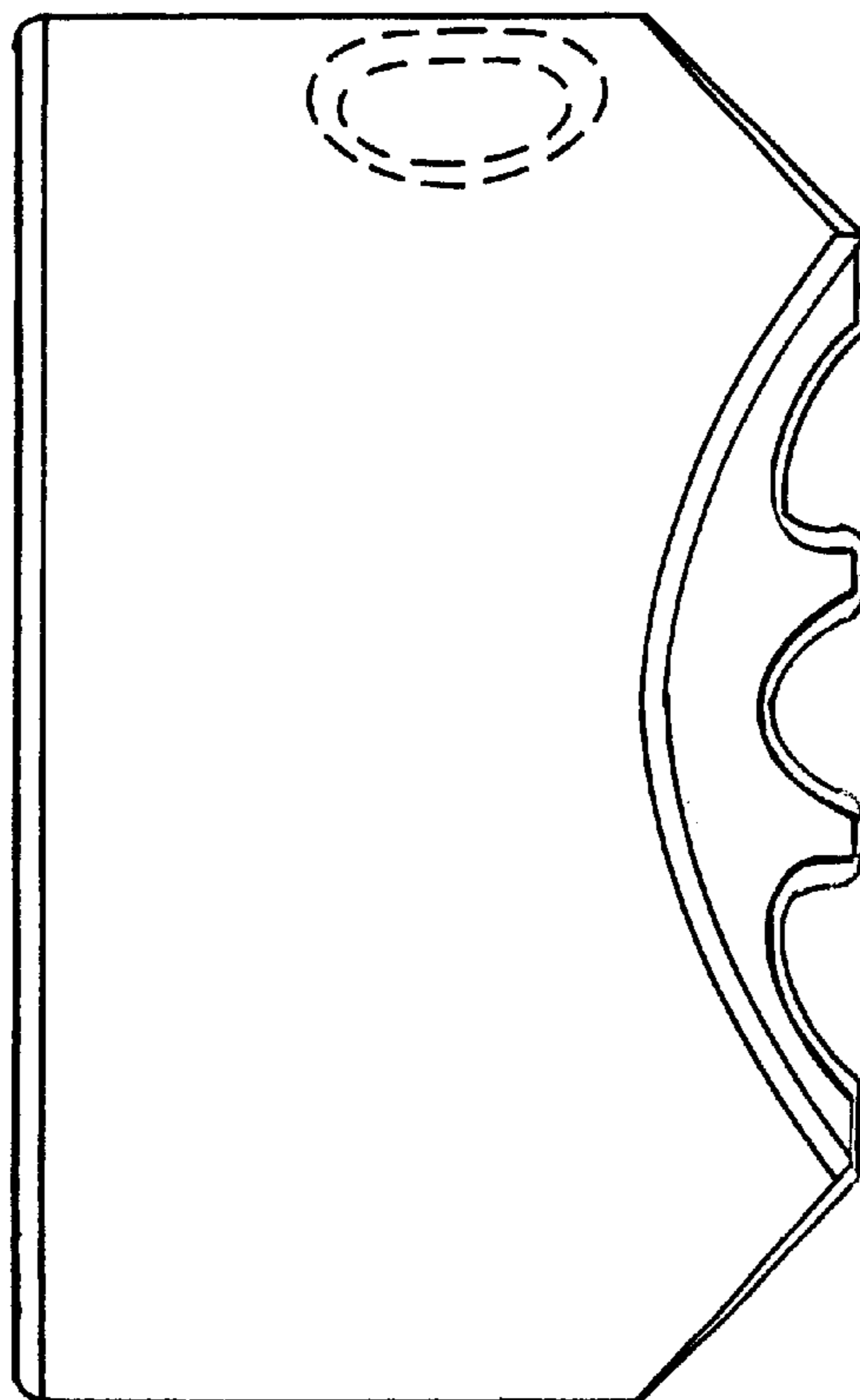


FIG. 4

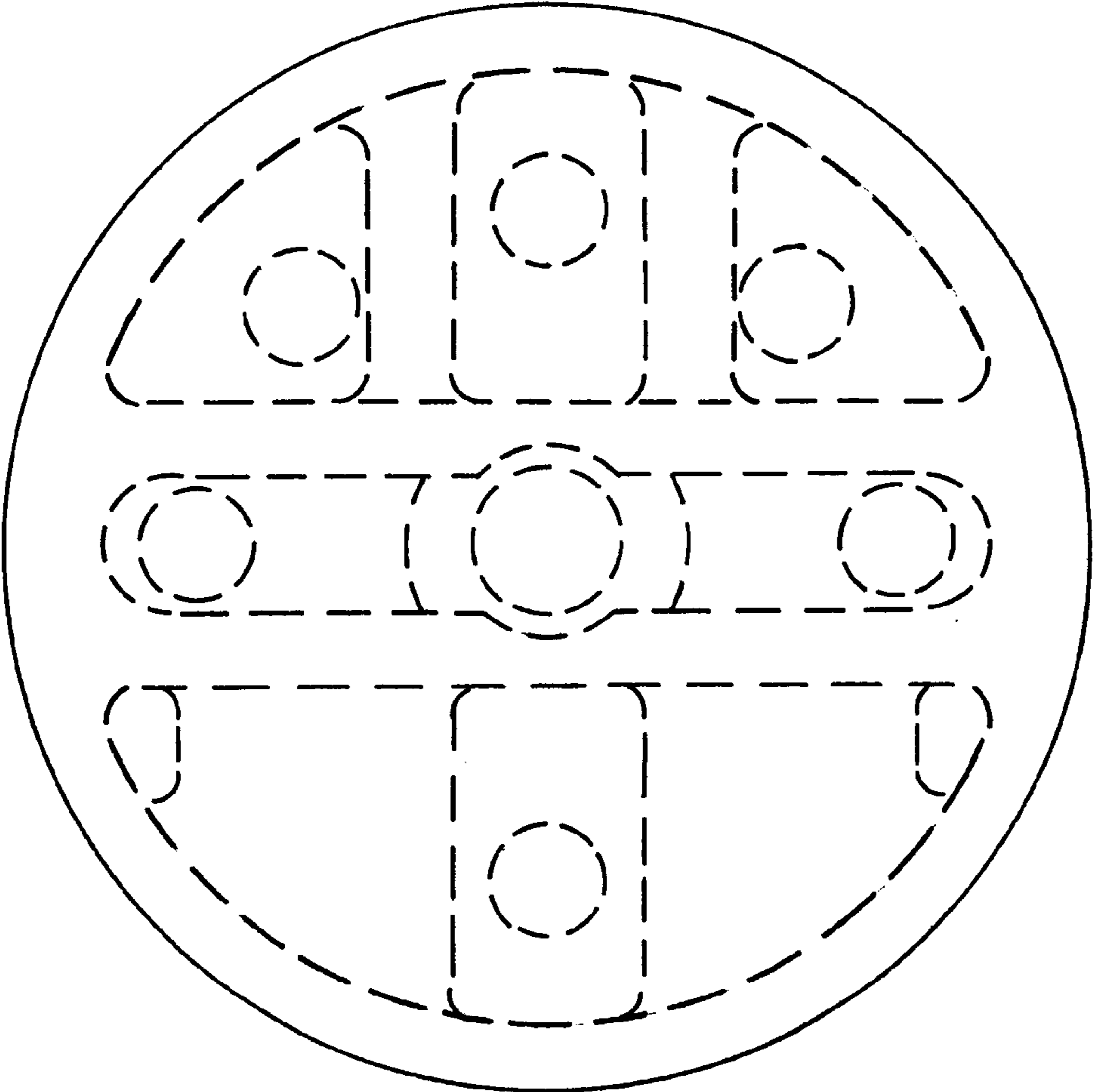


FIG. 5