

US00D500245S

(12) **United States Design Patent**
Okada

(10) **Patent No.:** **US D500,245 S**
(45) **Date of Patent:** **** Dec. 28, 2004**

(54) **ARTICLE FOR FIXING PANEL**

(57) **CLAIM**

(75) **Inventor:** **Shigeo Okada, Kanagawa-ken (JP)**

The ornamental design for an article for fixing panel, as shown and described.

(73) **Assignee:** **Piolax, Inc., Yokohama (JP)**

(**) **Term:** **14 Years**

DESCRIPTION

(21) **Appl. No.:** **29/194,234**

FIG. 1 is a perspective view of the front, top and left side of an article for fixing panel showing my new design;

(22) **Filed:** **Nov. 21, 2003**

FIG. 2 is a front view thereof;

(51) **LOC (7) Cl. 08-08**

FIG. 3 is a rear view thereof;

(52) **U.S. Cl. D8/382**

FIG. 4 is a left side view thereof;

(58) **Field of Search D8/382; 411/508-510, 411/45; 24/453, 297**

FIG. 5 is a top plan view thereof;

FIG. 6 is a bottom view thereof;

FIG. 7 is a front view of the female part thereof;

FIG. 8 is a rear view of the female part thereof;

FIG. 9 is a left side view of the female part thereof;

FIG. 10 is a top plan view of the female part thereof;

FIG. 11 is a bottom view of the female part thereof;

FIG. 12 is a front view of the male part thereof;

FIG. 13 is a rear view of the male part thereof;

FIG. 14 is a left side view of the male part thereof;

FIG. 15 is a top plan view of the male part thereof;

FIG. 16 is a bottom view of the male part thereof; and,

FIG. 17 is a reference view of usage thereof.

The broken line is for illustrative purposes only and forms no part of the claimed design.

The elements of the claimed design are shown separate for ease of clarity and illustration.

(56) **References Cited**

U.S. PATENT DOCUMENTS

| | | | | |
|-----------|------|---------|--------------|--------|
| 5,211,519 | A * | 5/1993 | Saito | 411/45 |
| 5,568,675 | A * | 10/1996 | Asami et al. | 24/453 |
| 5,846,040 | A * | 12/1998 | Ueno | 411/45 |
| 6,481,942 | B2 * | 11/2002 | Tanaka | 411/45 |
| 6,514,023 | B2 * | 2/2003 | Moerke | 411/45 |

FOREIGN PATENT DOCUMENTS

JP 2001336515 A * 12/2001 F16B/19/10

* cited by examiner

Primary Examiner—Holly Baynham

(74) *Attorney, Agent, or Firm*—McGinn & Gibb, PLLC

1 Claim, 9 Drawing Sheets

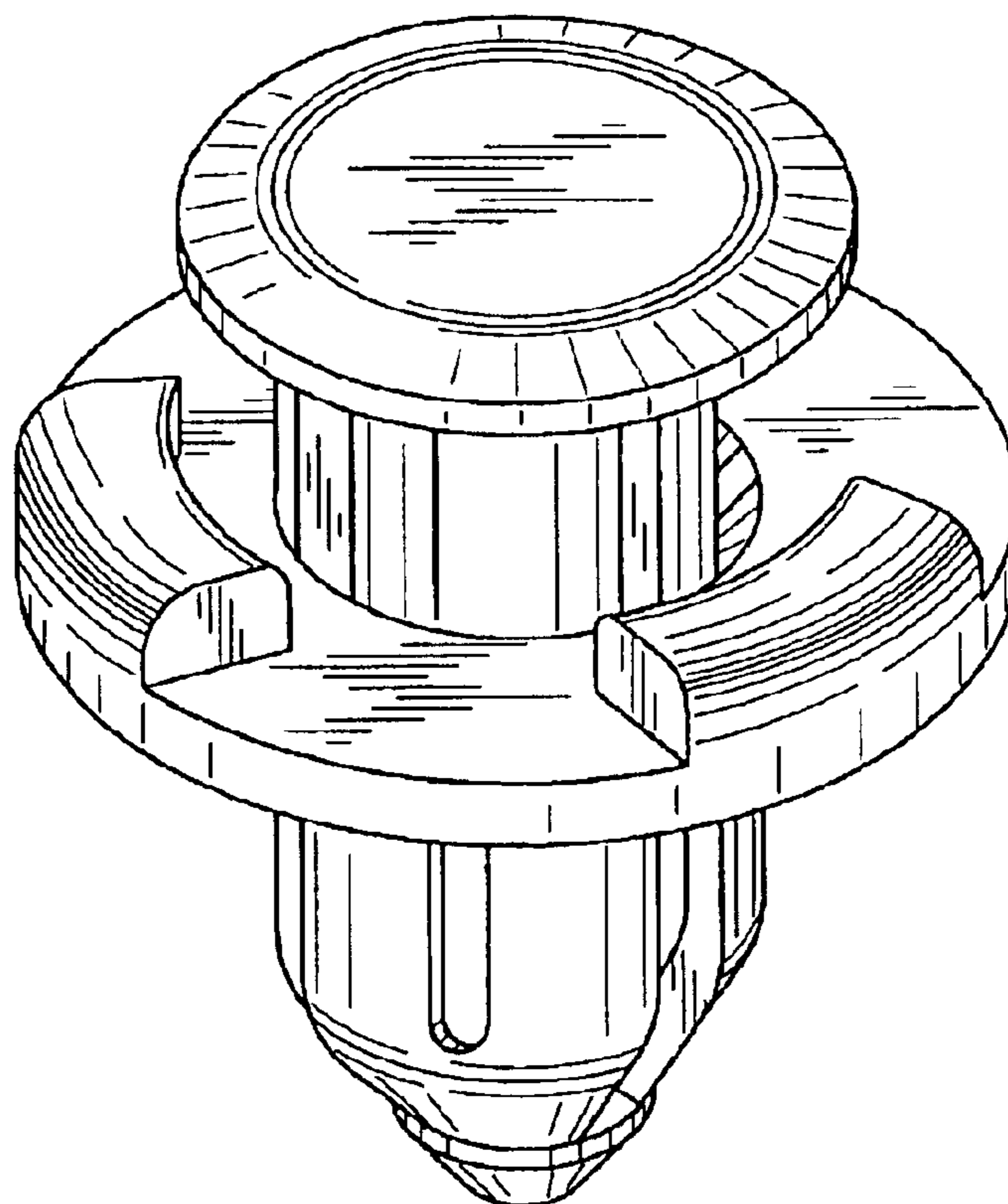


FIG. 1

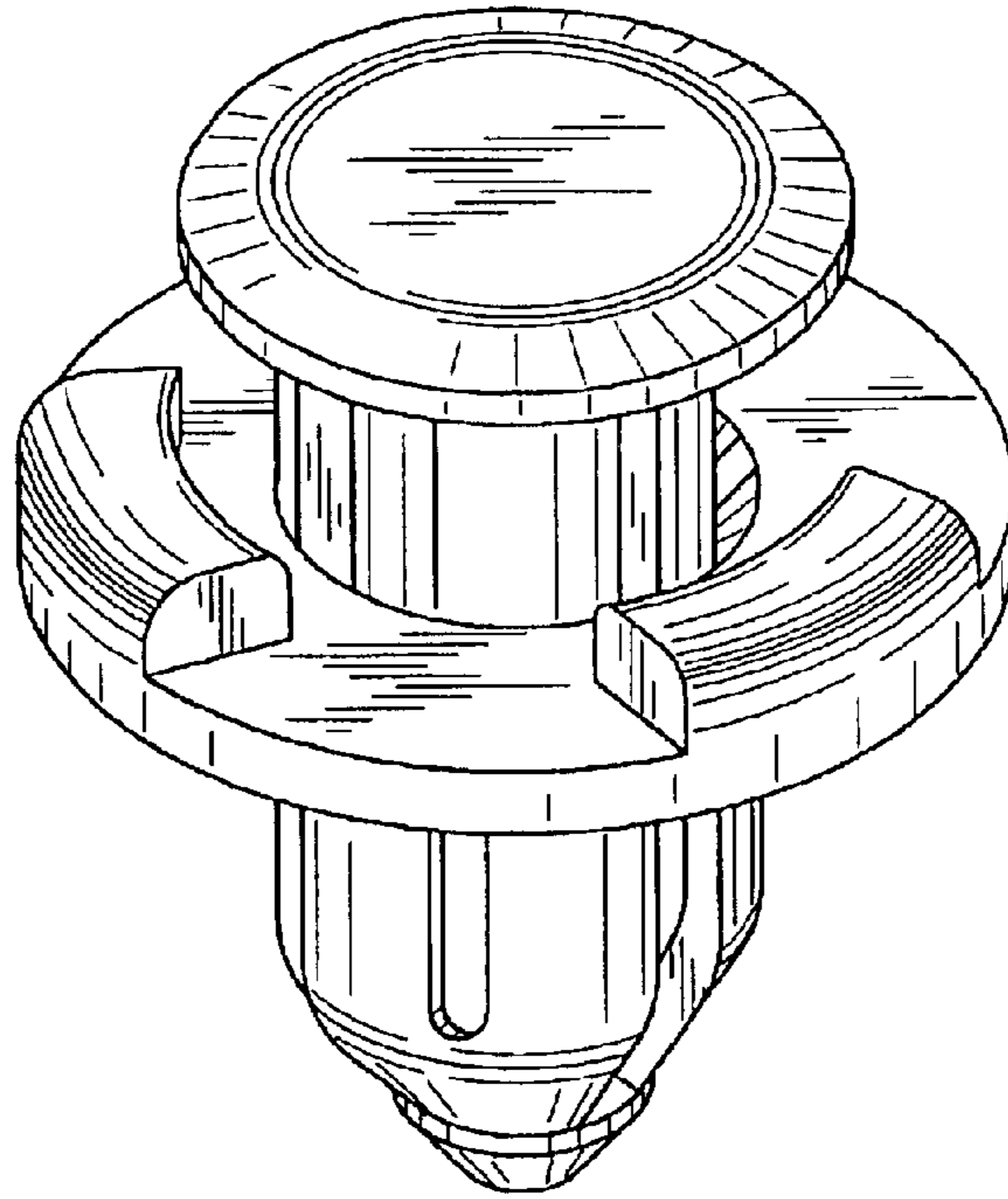


FIG. 2

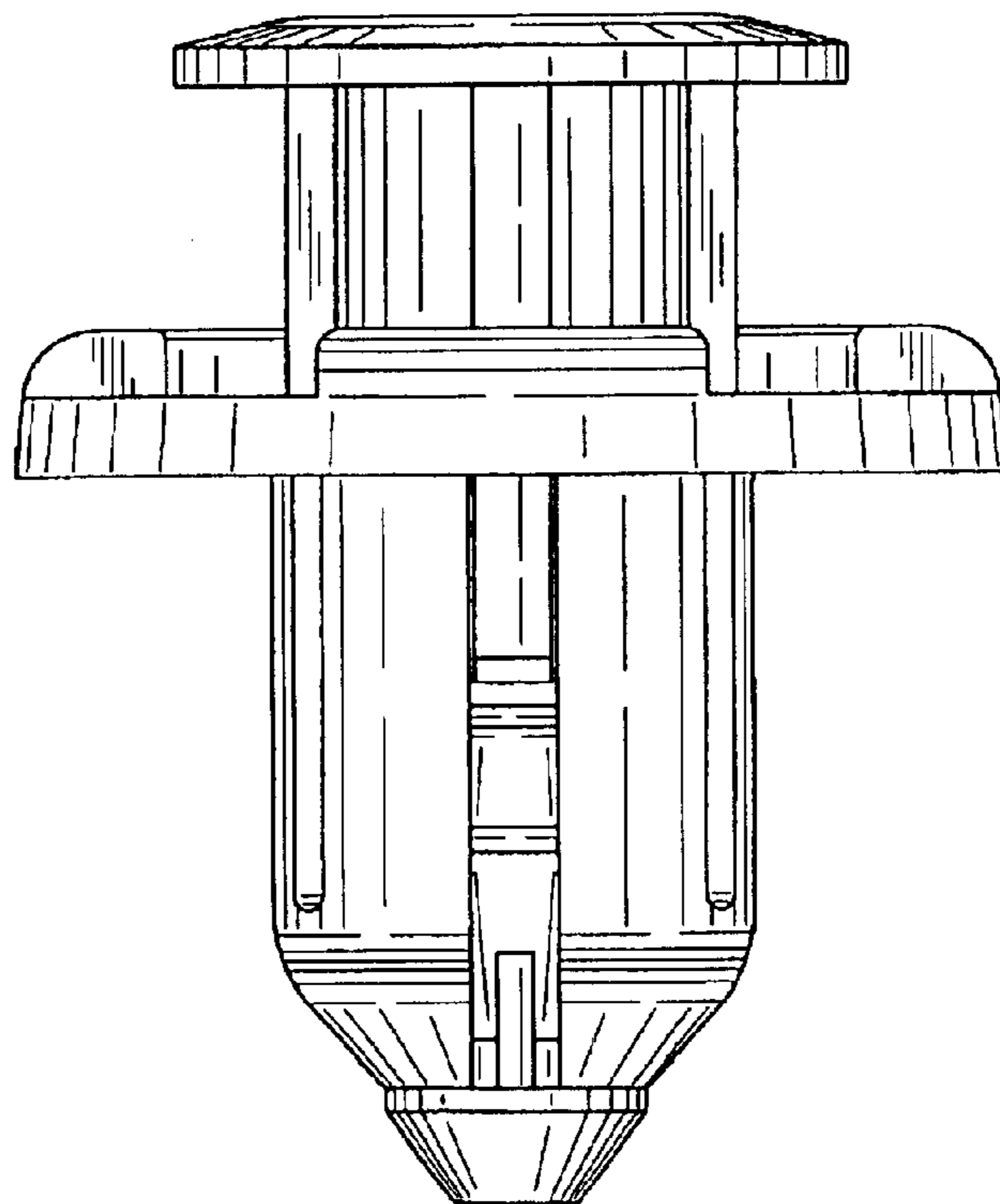


FIG. 3

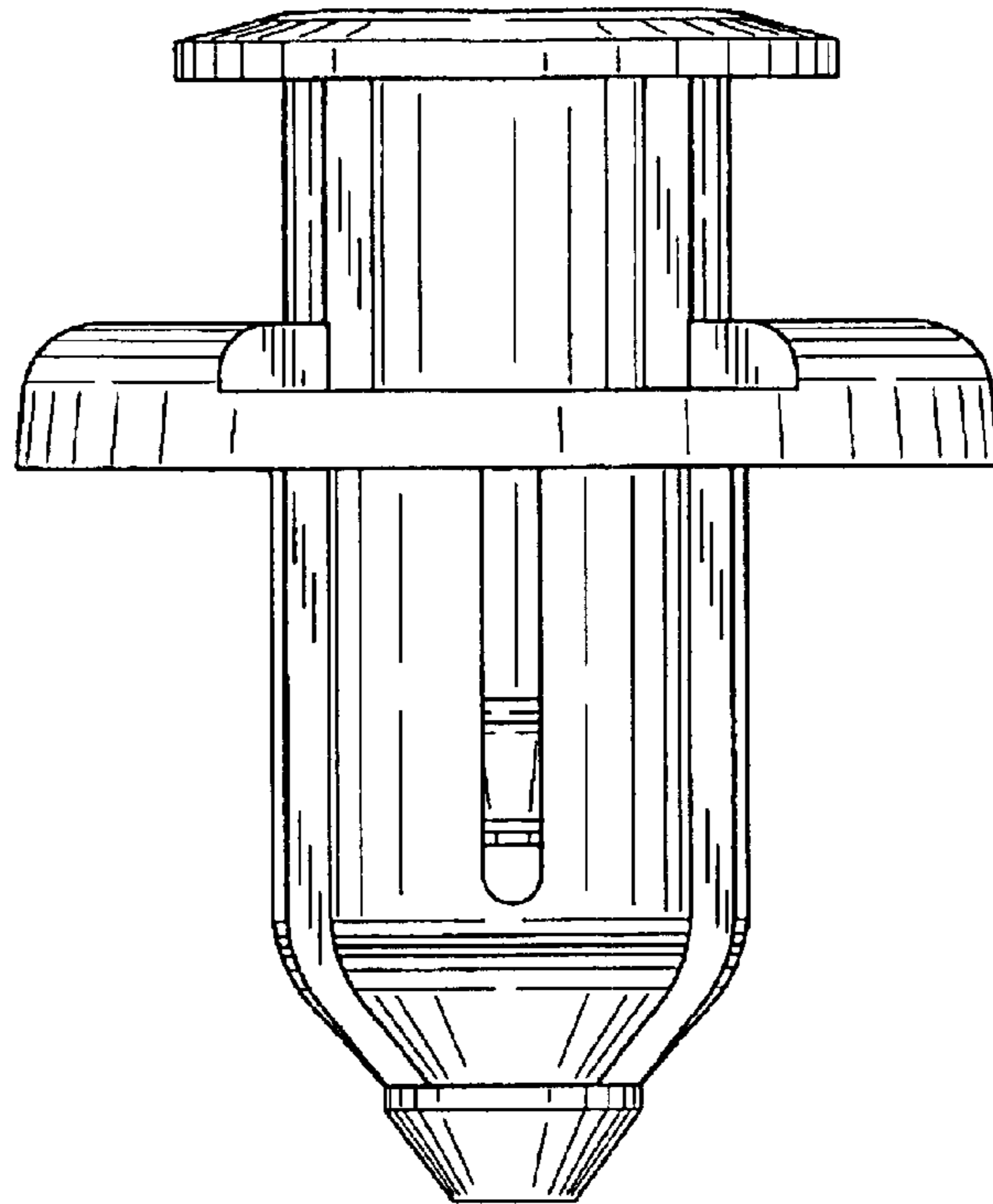


FIG. 4

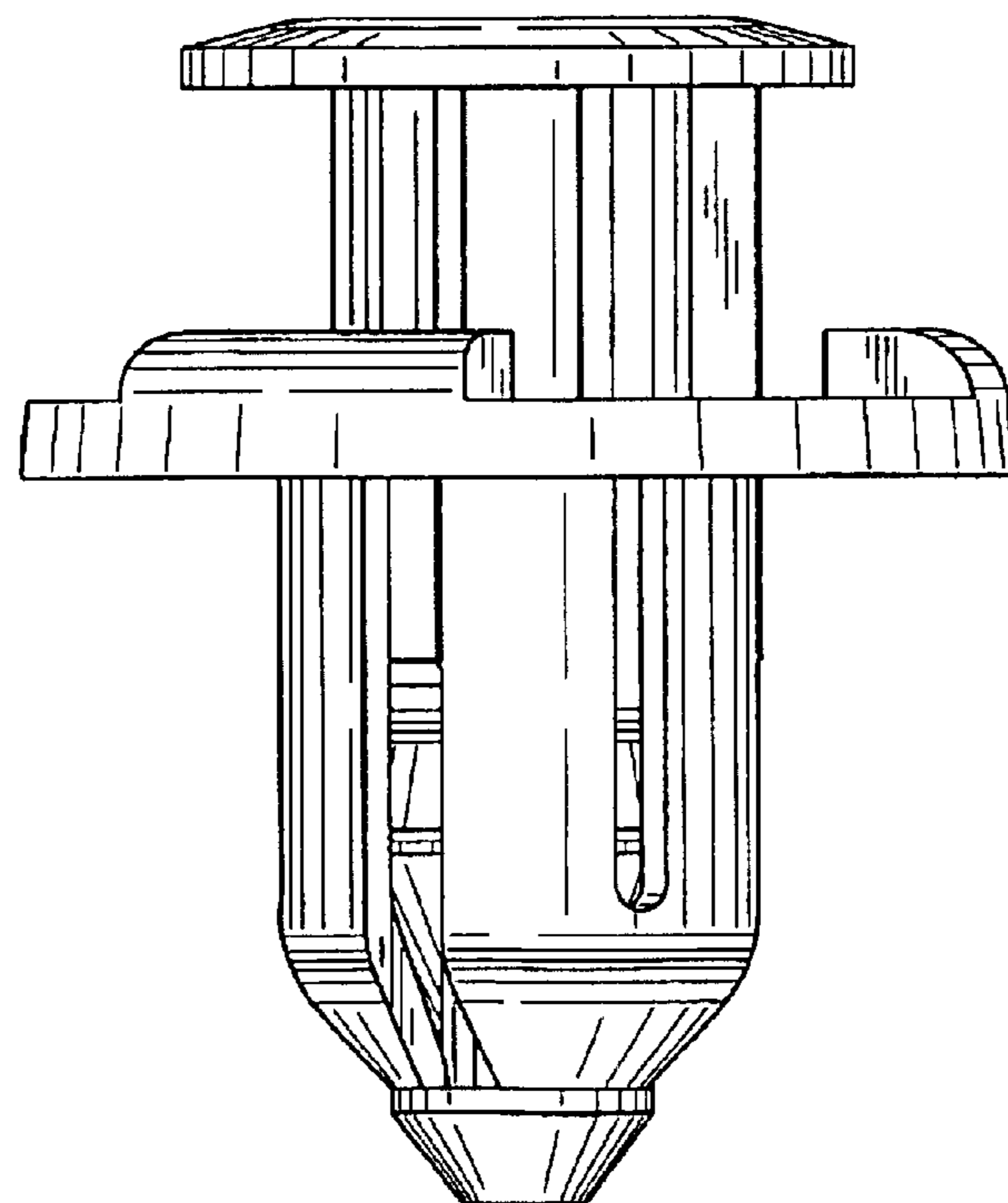


FIG. 5

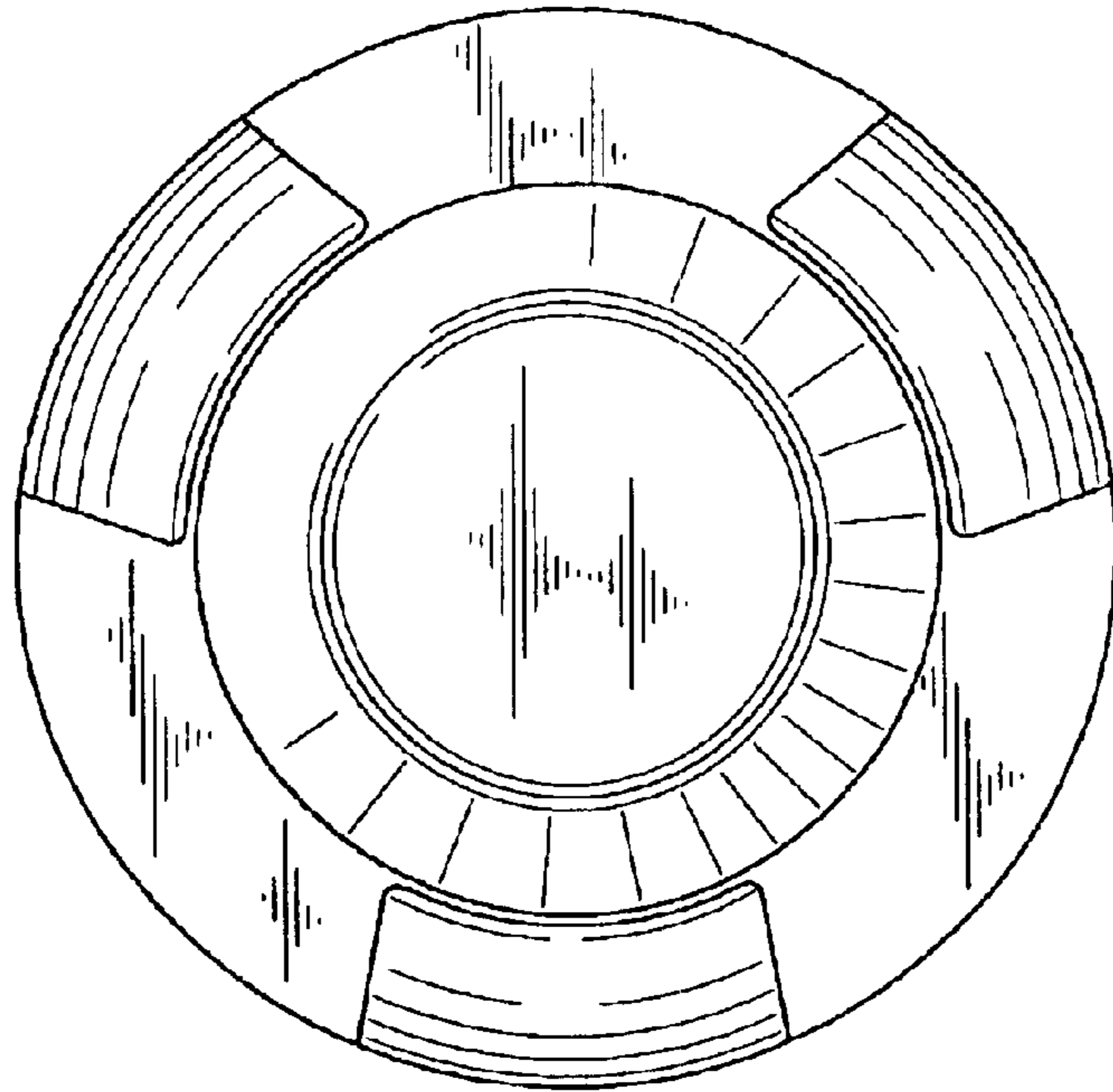


FIG. 6

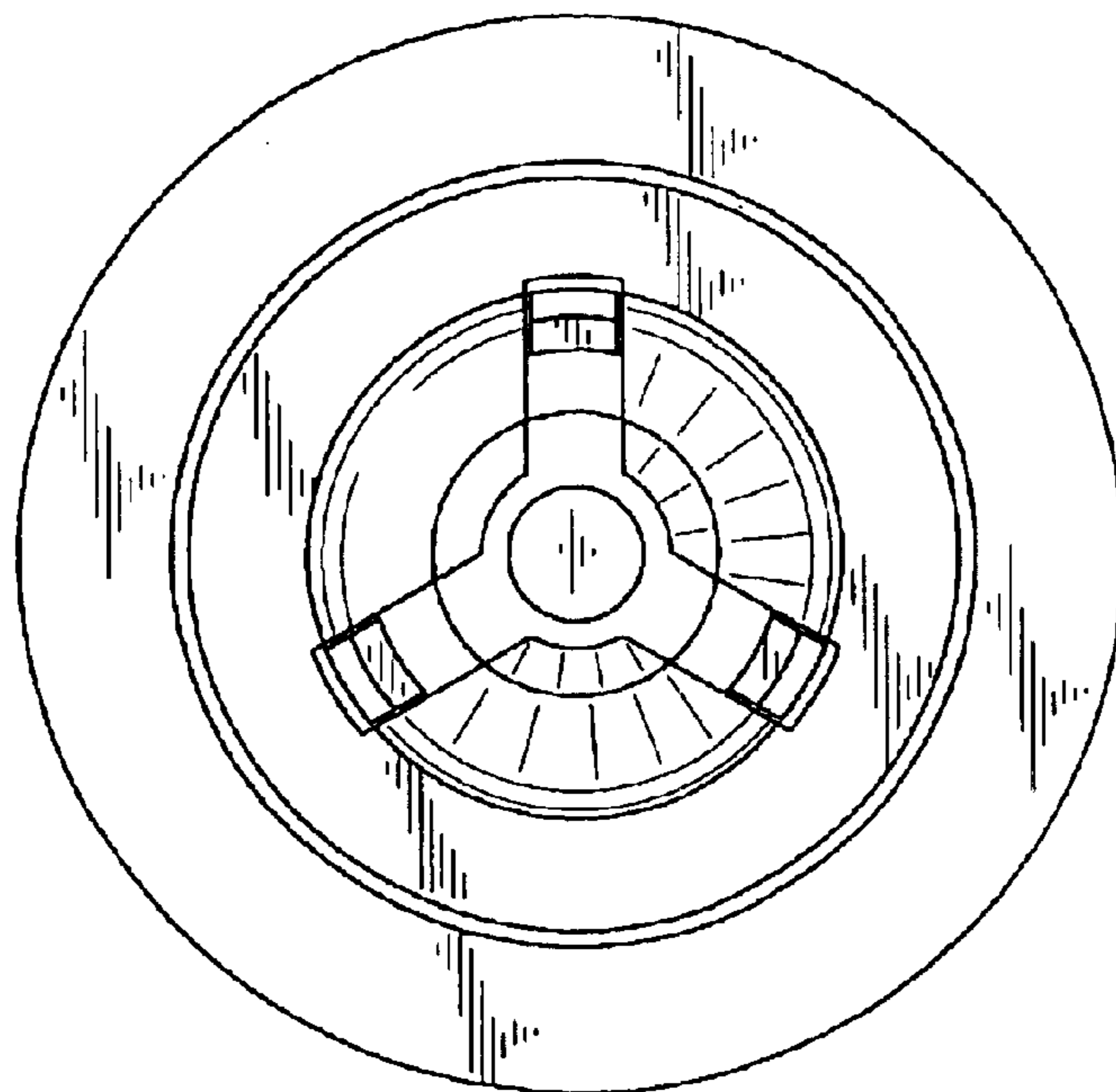


FIG. 7

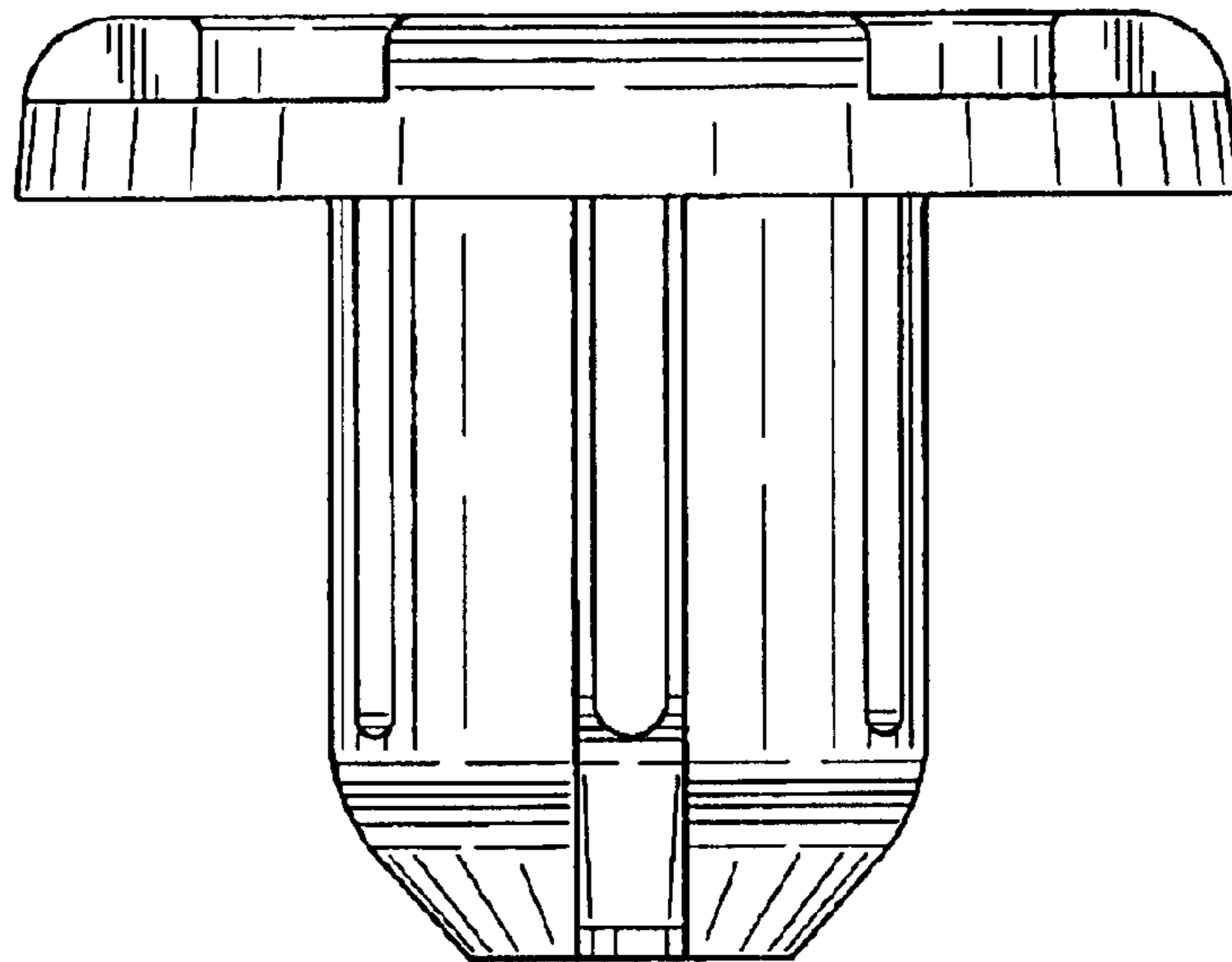


FIG. 8

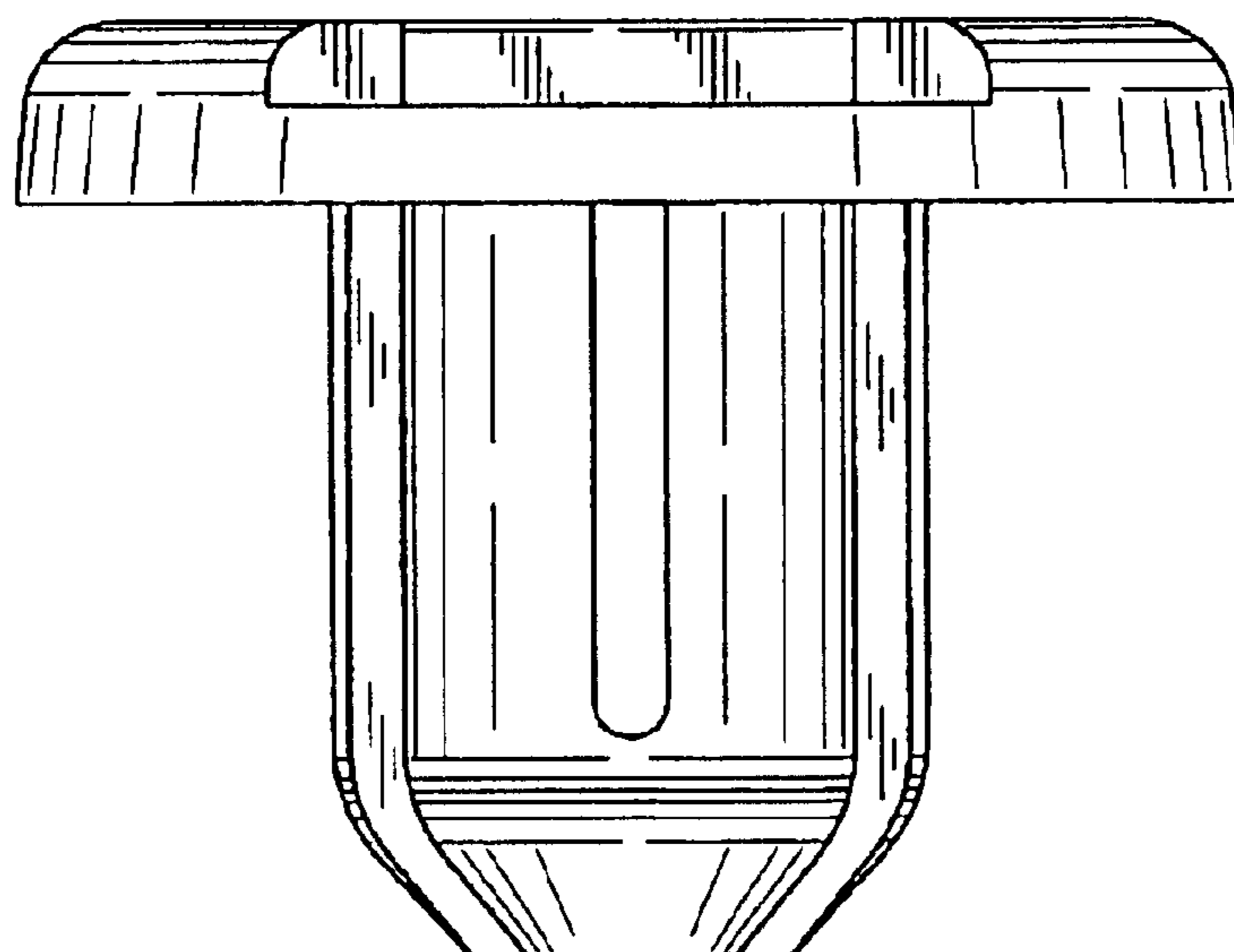


FIG. 9

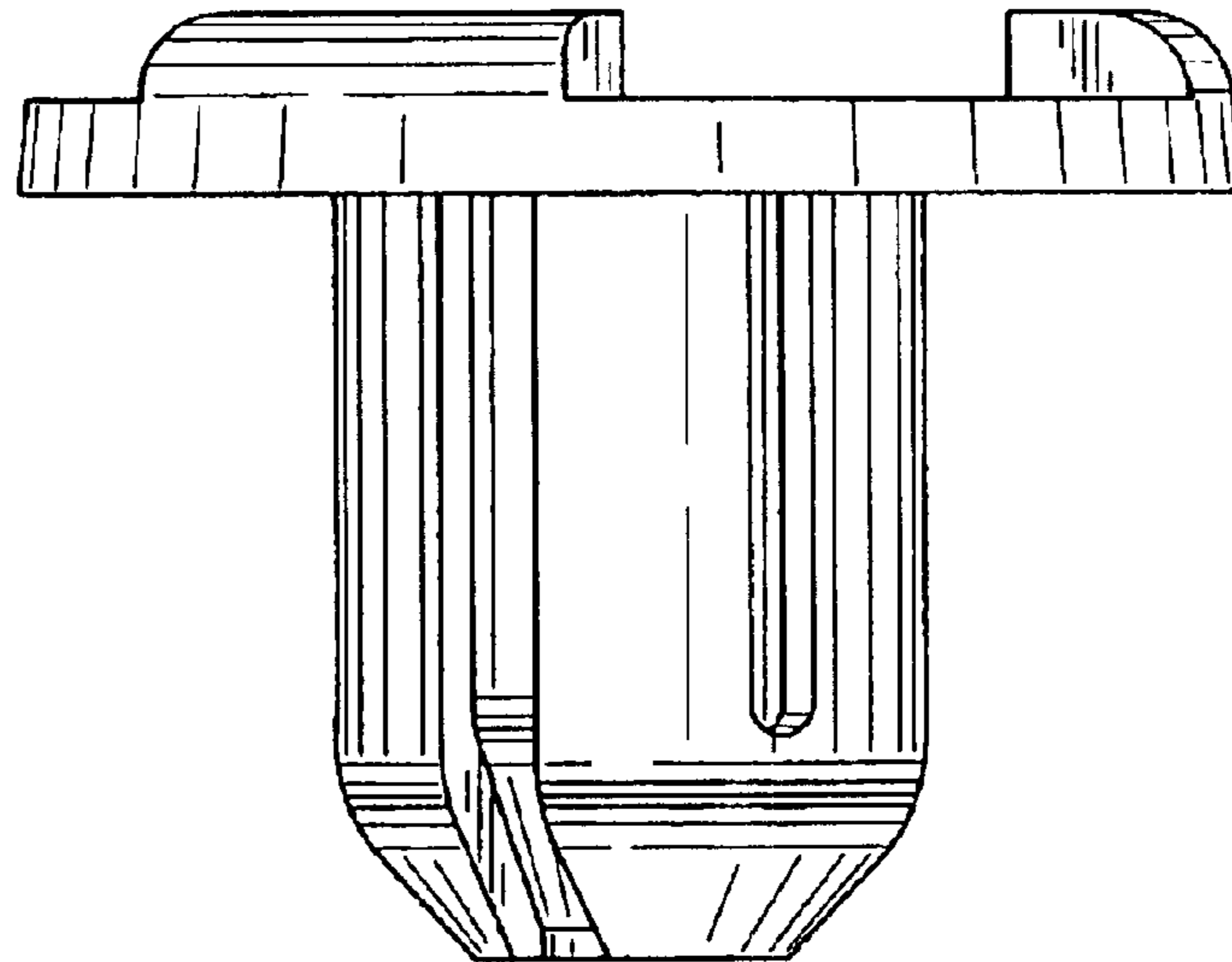


FIG. 10

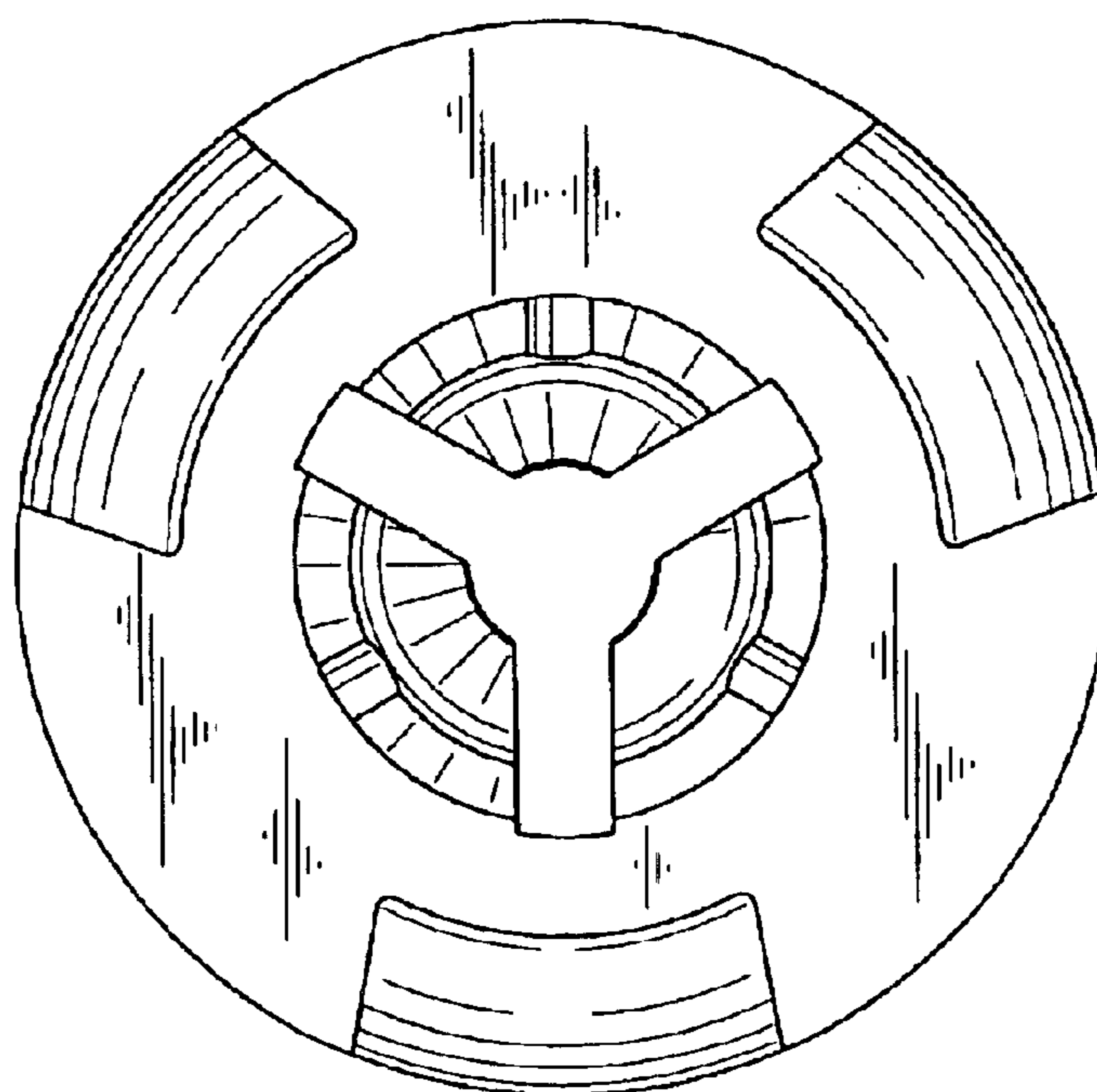


FIG. 11

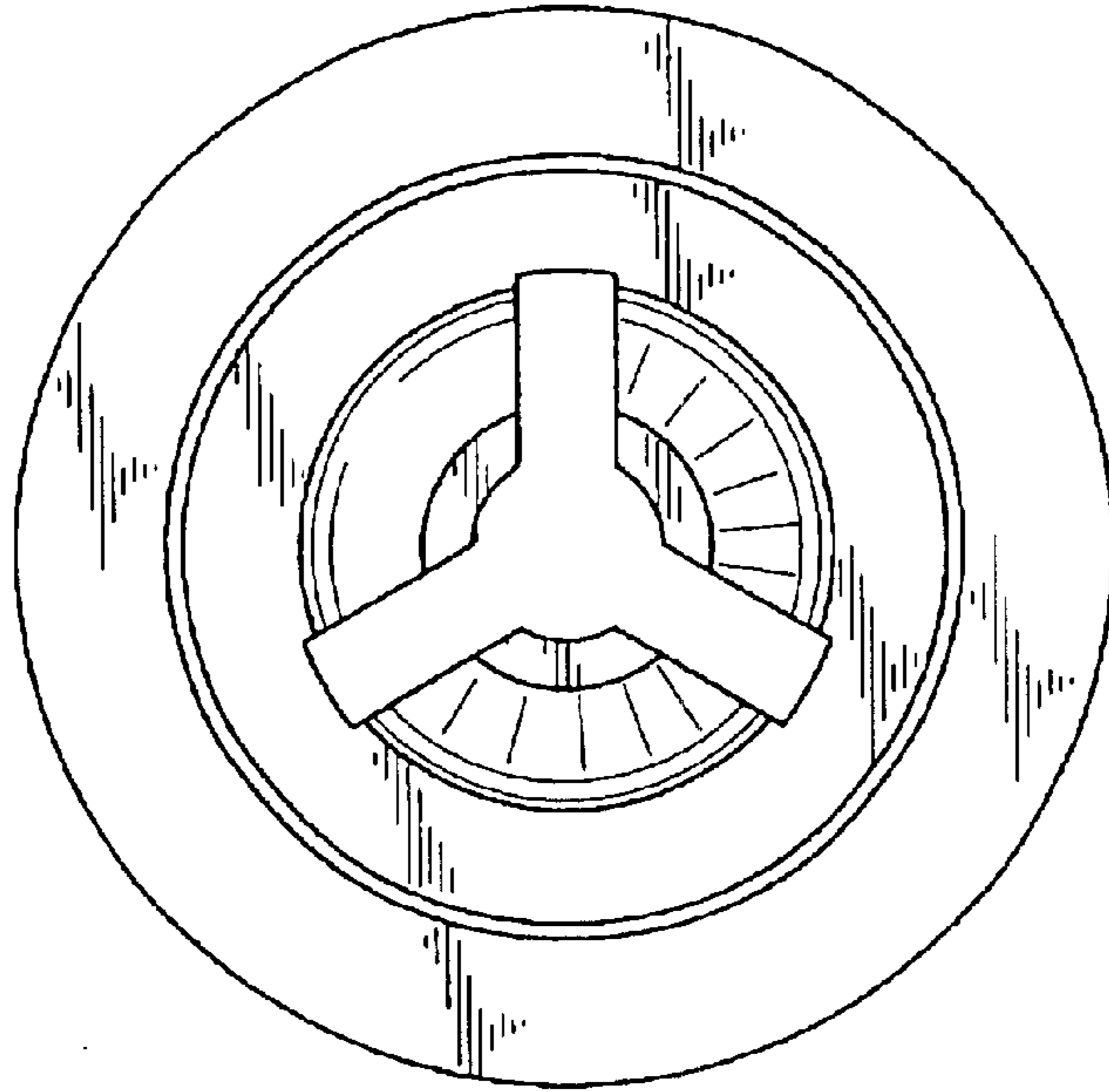


FIG. 12

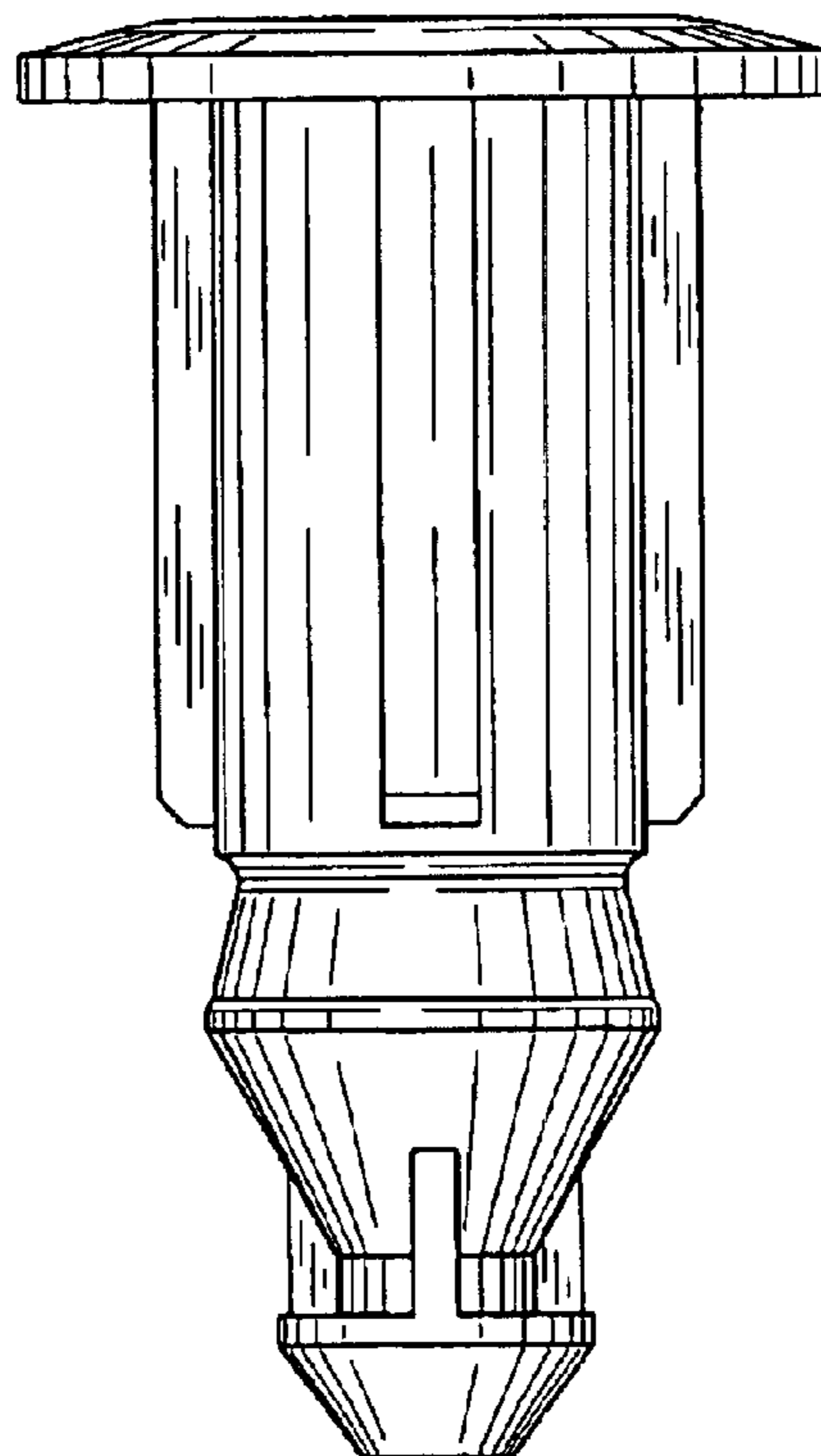


FIG. 13

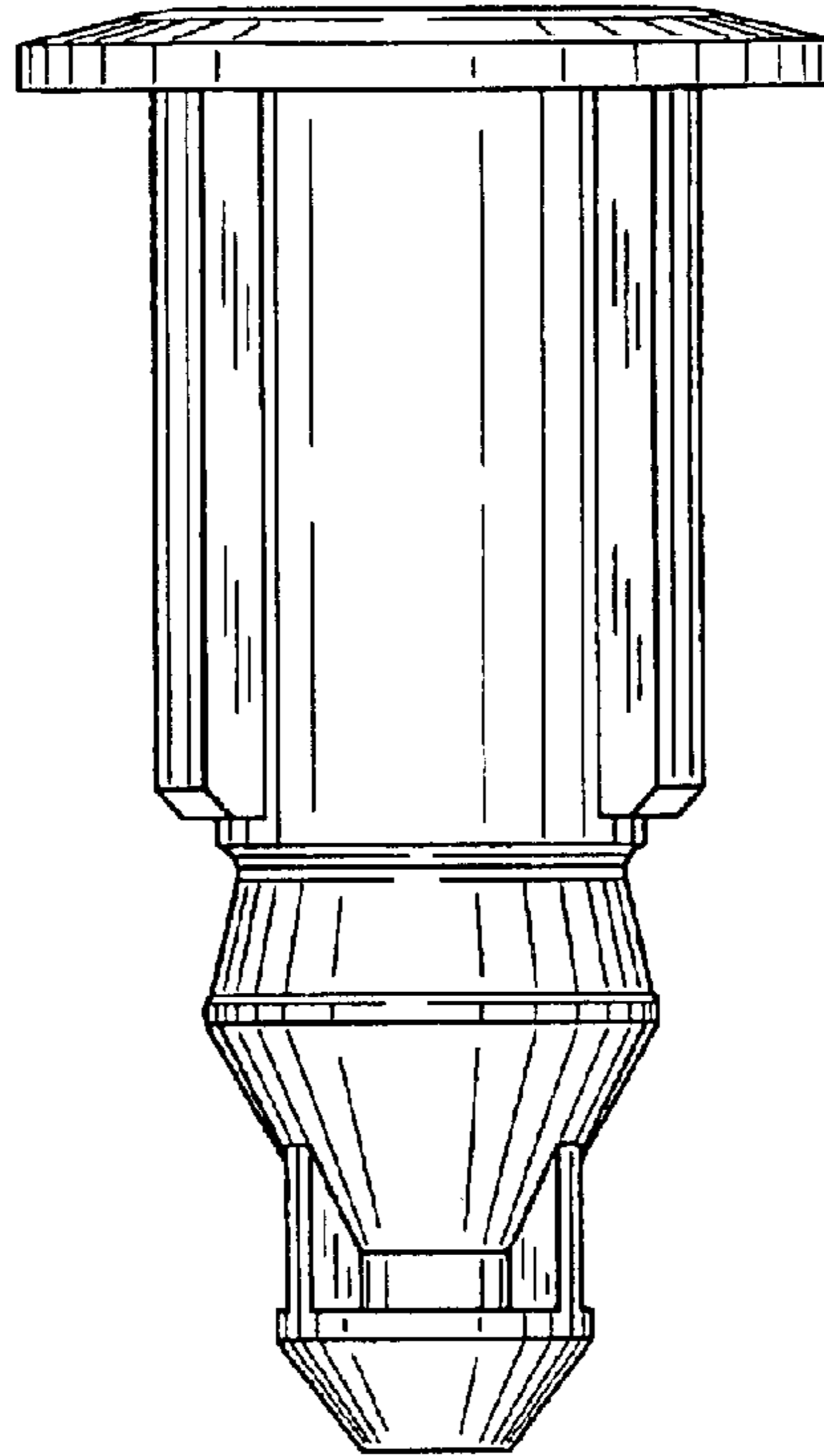


FIG. 14

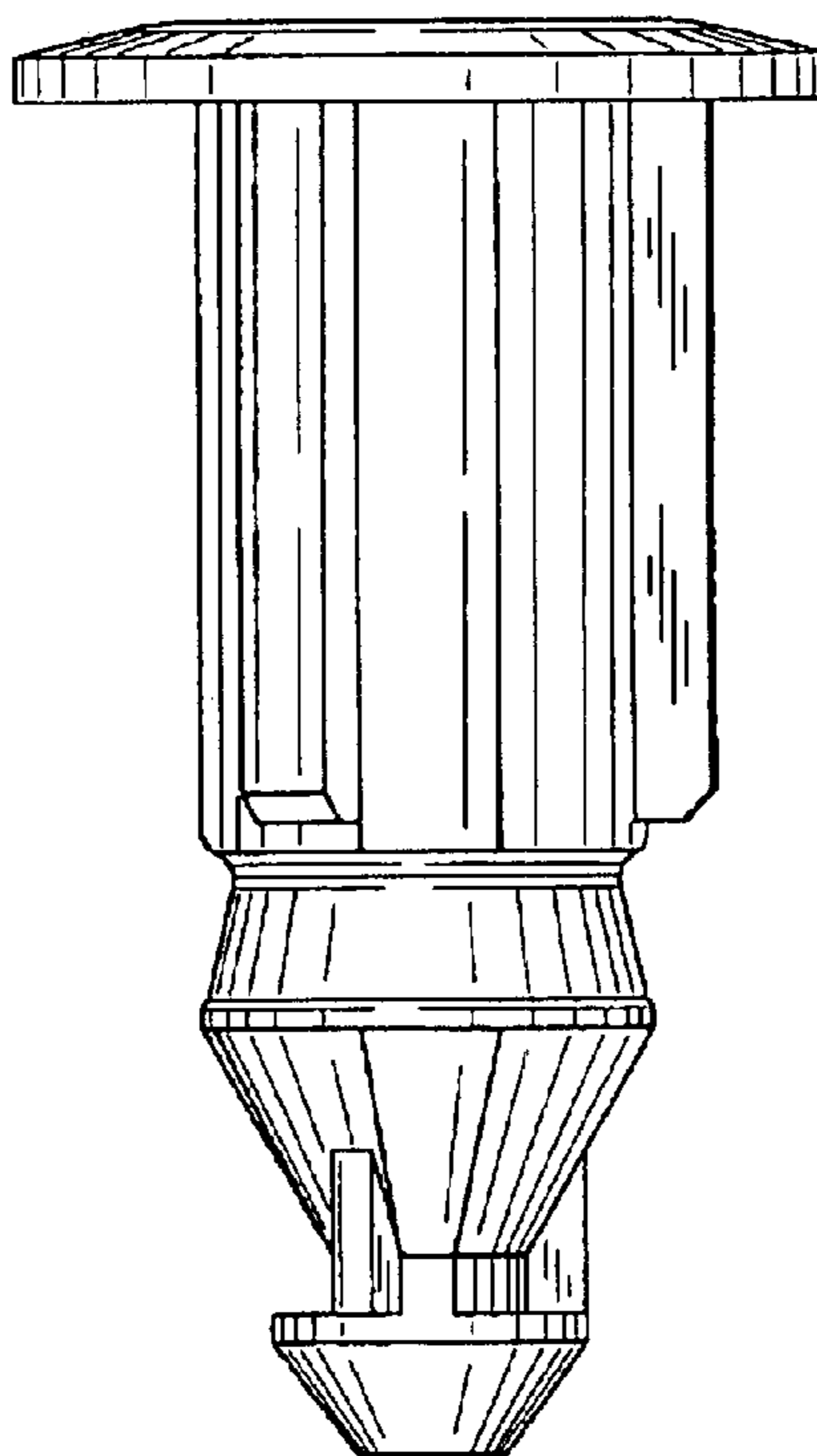


FIG. 15

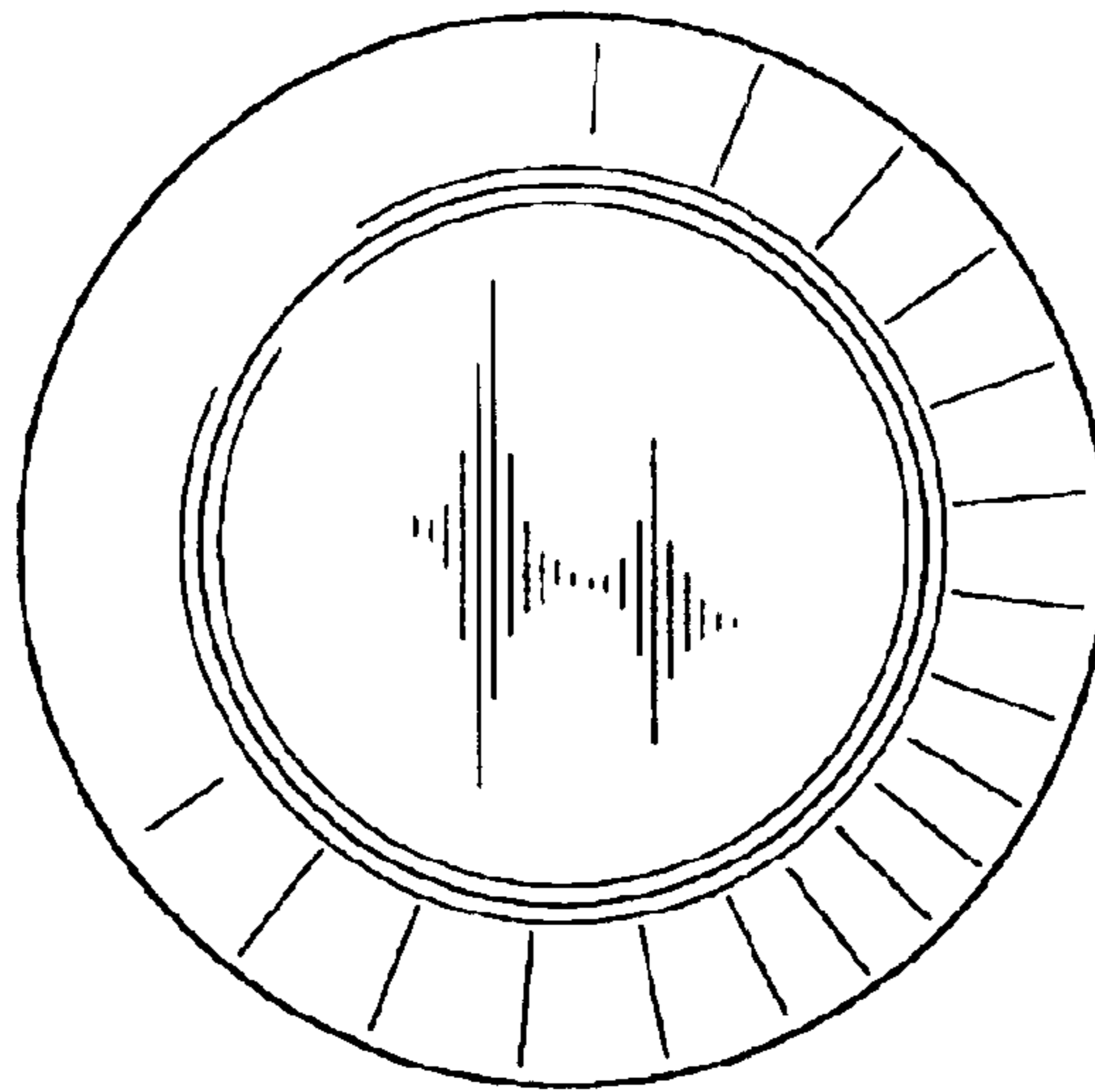


FIG. 16

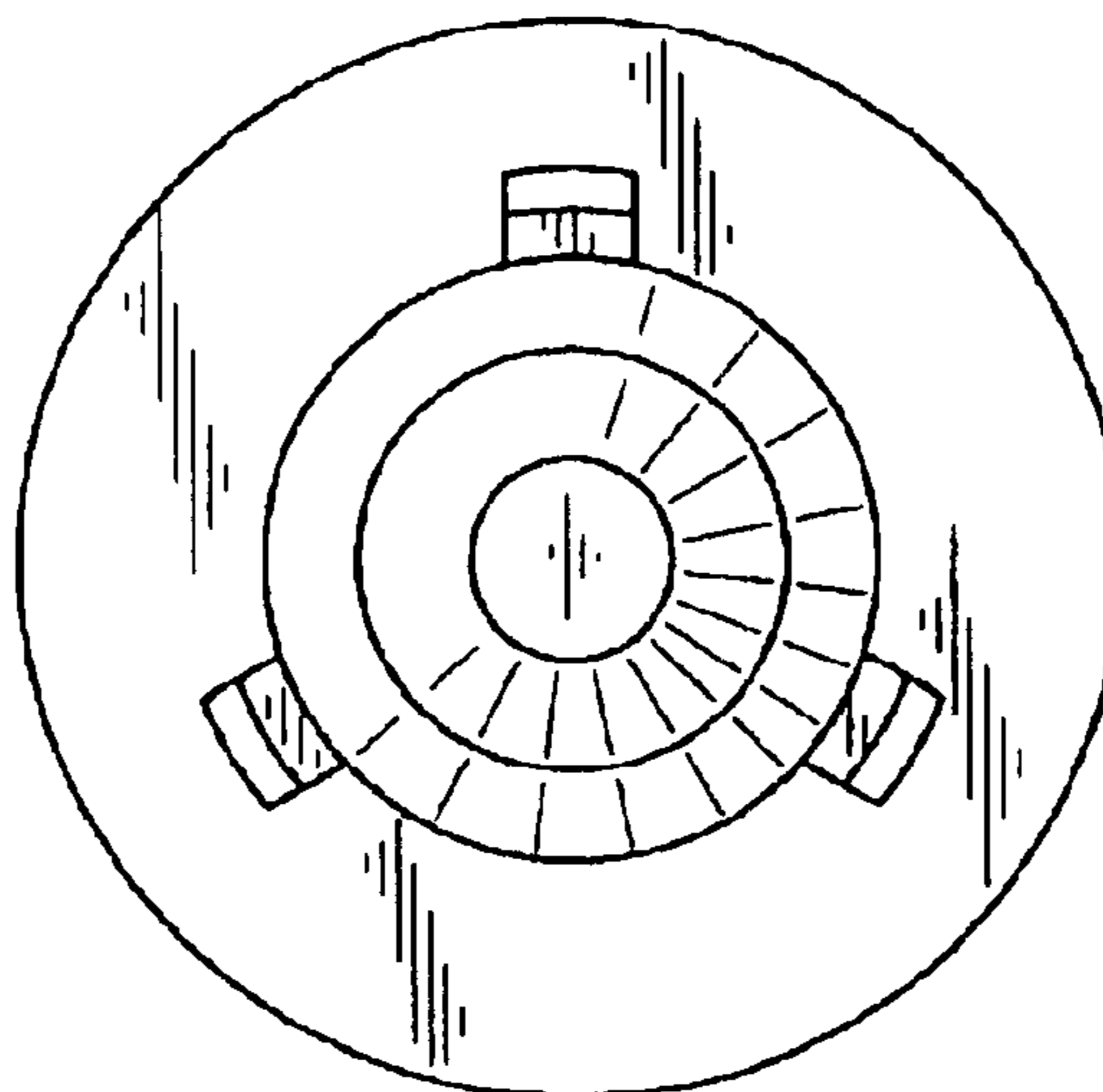


FIG. 17

