

US00D500243S

(12) **United States Design Patent**
Turek

(10) **Patent No.:** **US D500,243 S**
(45) **Date of Patent:** **** Dec. 28, 2004**

(54) **REBAR, BEAM AND MESH HIGHCHAIR**
(75) **Inventor:** **James N. Turek**, Lexington, KY (US)
(73) **Assignees:** **James N. Turek, Sr.**, Lexington, KY (US); **James N. Turek, II**, Lexington, KY (US); **Brandon D. Turek**, Lexington, KY (US)
(**) **Term:** **14 Years**

4,498,270 A 2/1985 Ilukowicz
4,682,461 A 7/1987 Sizemore
4,835,933 A * 6/1989 Yung 52/685
D324,643 S 3/1992 Turek et al.
5,107,654 A * 4/1992 Leonardis 52/685
D334,133 S * 3/1993 Hartzheim D8/354
5,729,949 A * 3/1998 Hartzheim 52/677
D421,709 S * 3/2000 Haslem et al. D8/354
D428,501 S * 7/2000 Haslem et al. D25/199
D491,443 S * 6/2004 Lowery D8/354
2004/0098942 A1 * 5/2004 Lee et al. 52/686

* cited by examiner

(21) **Appl. No.:** **29/197,514**
(22) **Filed:** **Jan. 15, 2004**

Primary Examiner—Joel A. Sincavage
Assistant Examiner—Elizabeth Albert
(74) *Attorney, Agent, or Firm*—King & Schickli, PLLC

(51) **LOC (7) Cl.** **08-05**
(52) **U.S. Cl.** **D8/354**
(58) **Field of Search** D8/349, 354, 380,
D8/384; D25/199; 52/677, 678, 679, 682,
684, 685, 686, 687, 688, 689; 404/134,
135, 136

(57) **CLAIM**

The ornamental design for a rebar, beam and mesh highchair, as shown and described.

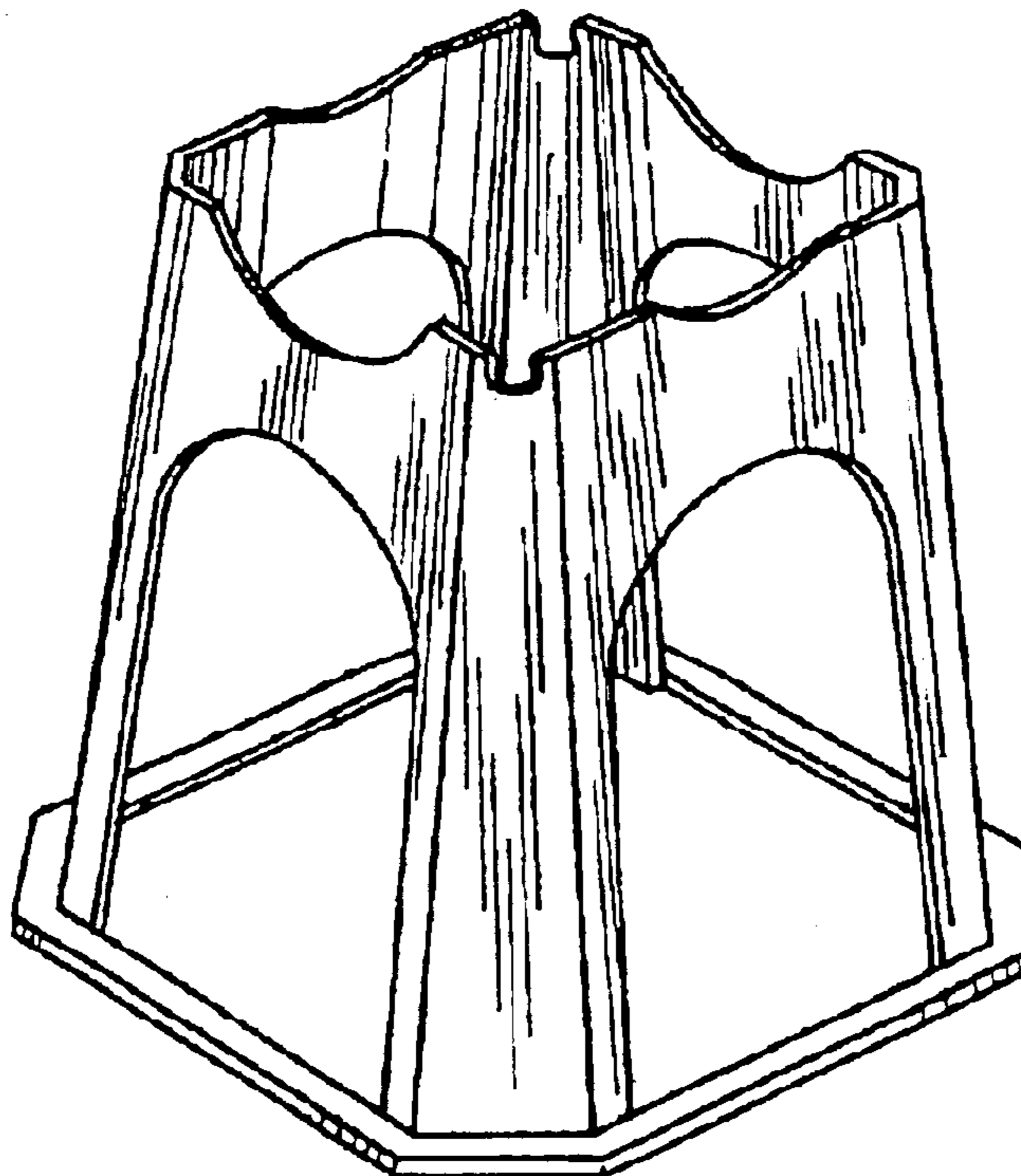
DESCRIPTION

FIG. 1 is a perspective view of the rebar, beam and mesh highchair of the present invention;
FIG. 2 is a front and rear elevational view thereof;
FIG. 3 is a right side and left side elevational view thereof;
FIG. 4 is a top plan view thereof; and,
FIG. 5 is a bottom plan view thereof.

(56) **References Cited**
U.S. PATENT DOCUMENTS

3,387,423 A 6/1968 Andersen
3,693,310 A * 9/1972 Middleton 52/685
D240,708 S 7/1976 Ilukowicz
4,060,954 A 12/1977 Liuzza
D271,846 S 12/1983 Hernandez
D271,847 S 12/1983 Hernandez

1 Claim, 3 Drawing Sheets



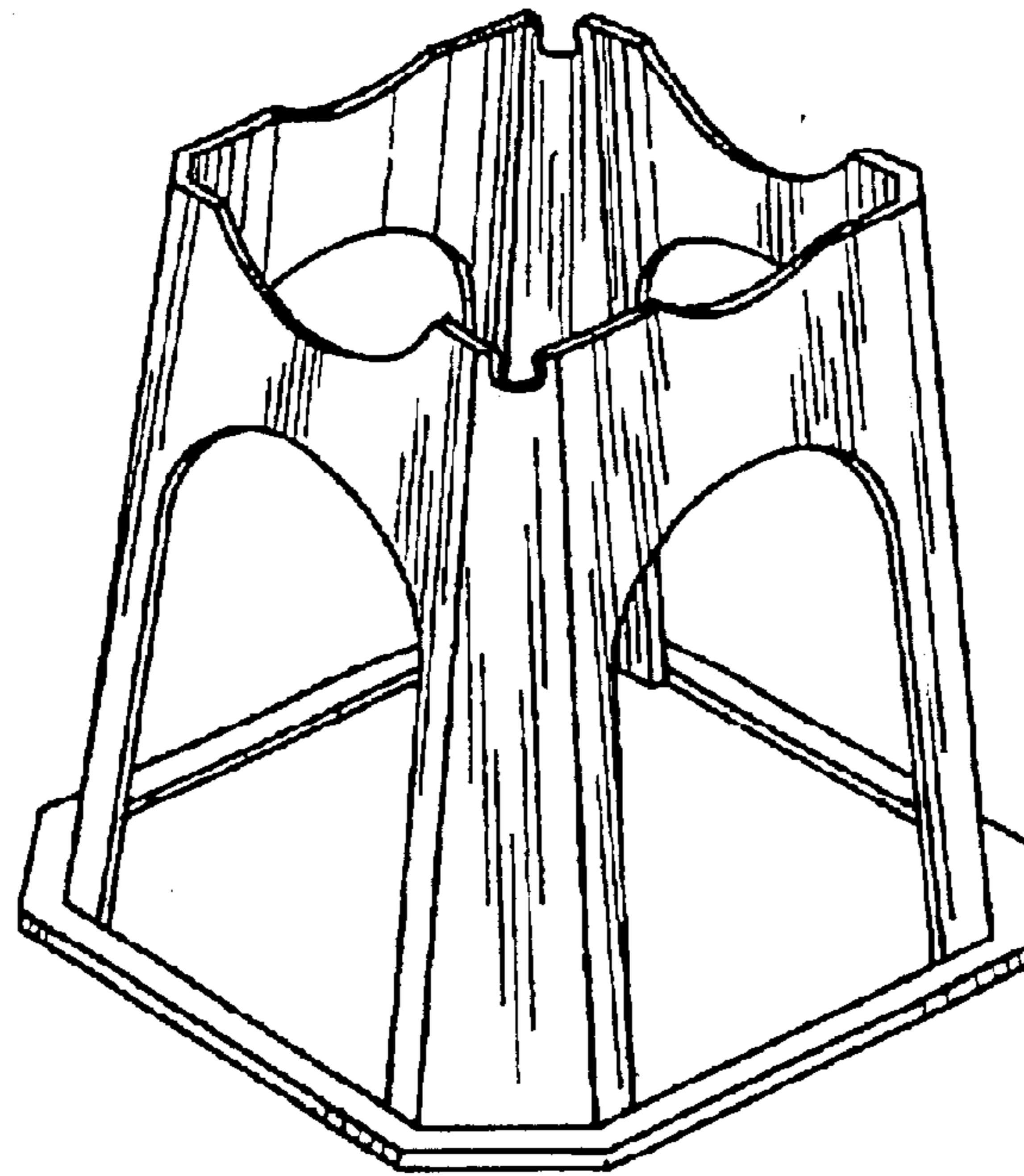


FIG. 1

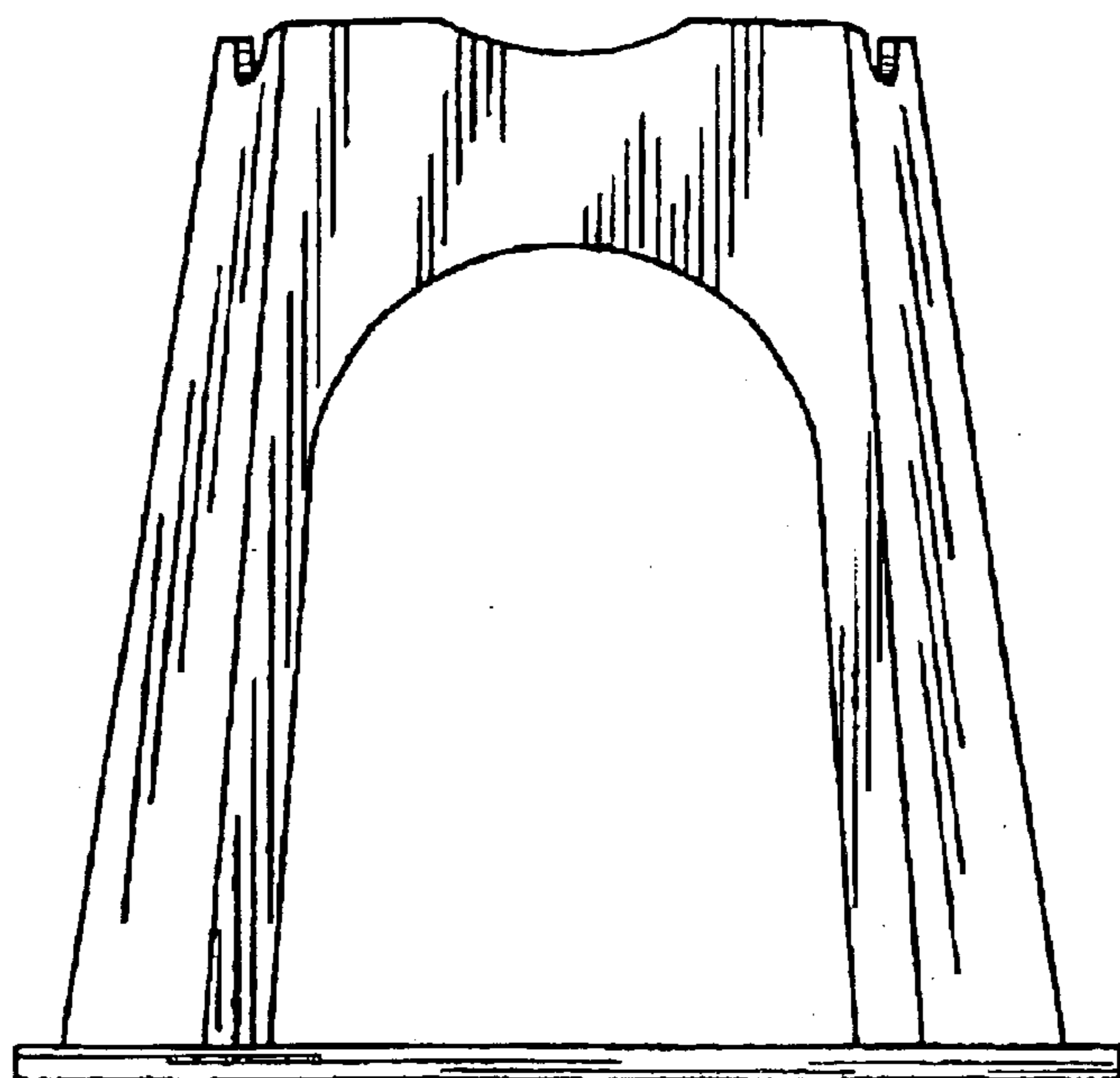


FIG. 2

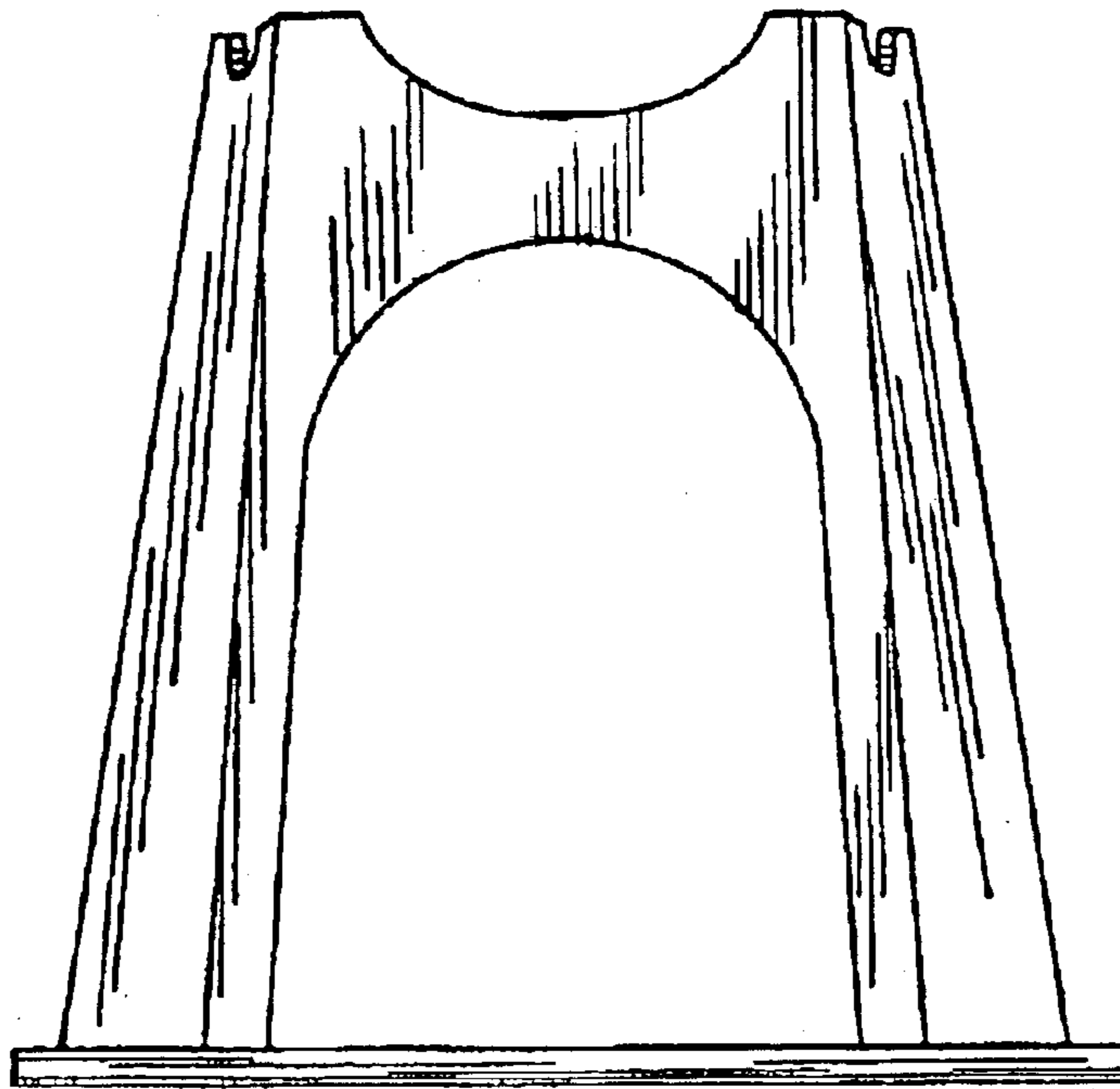


FIG. 3

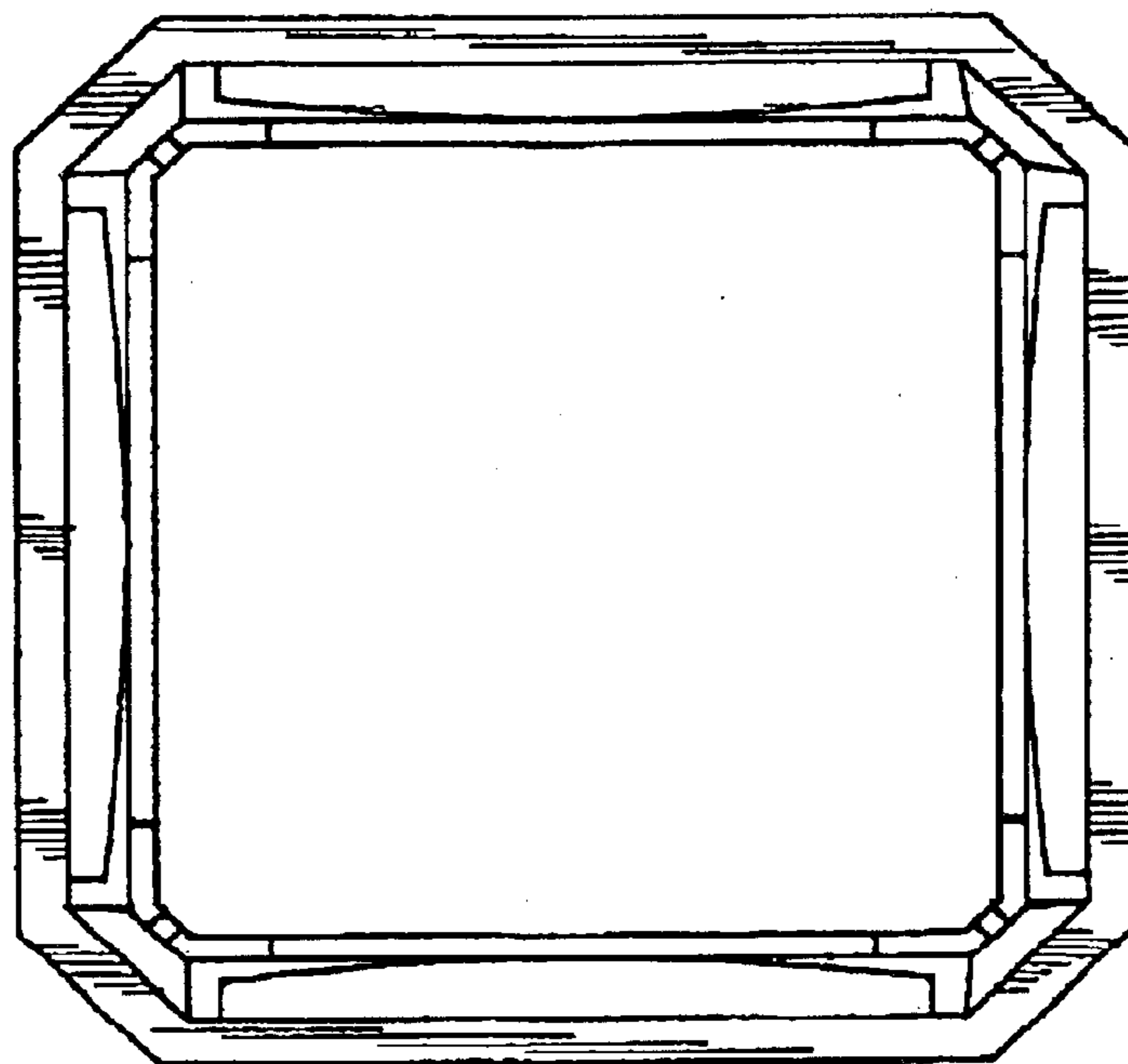


FIG. 4

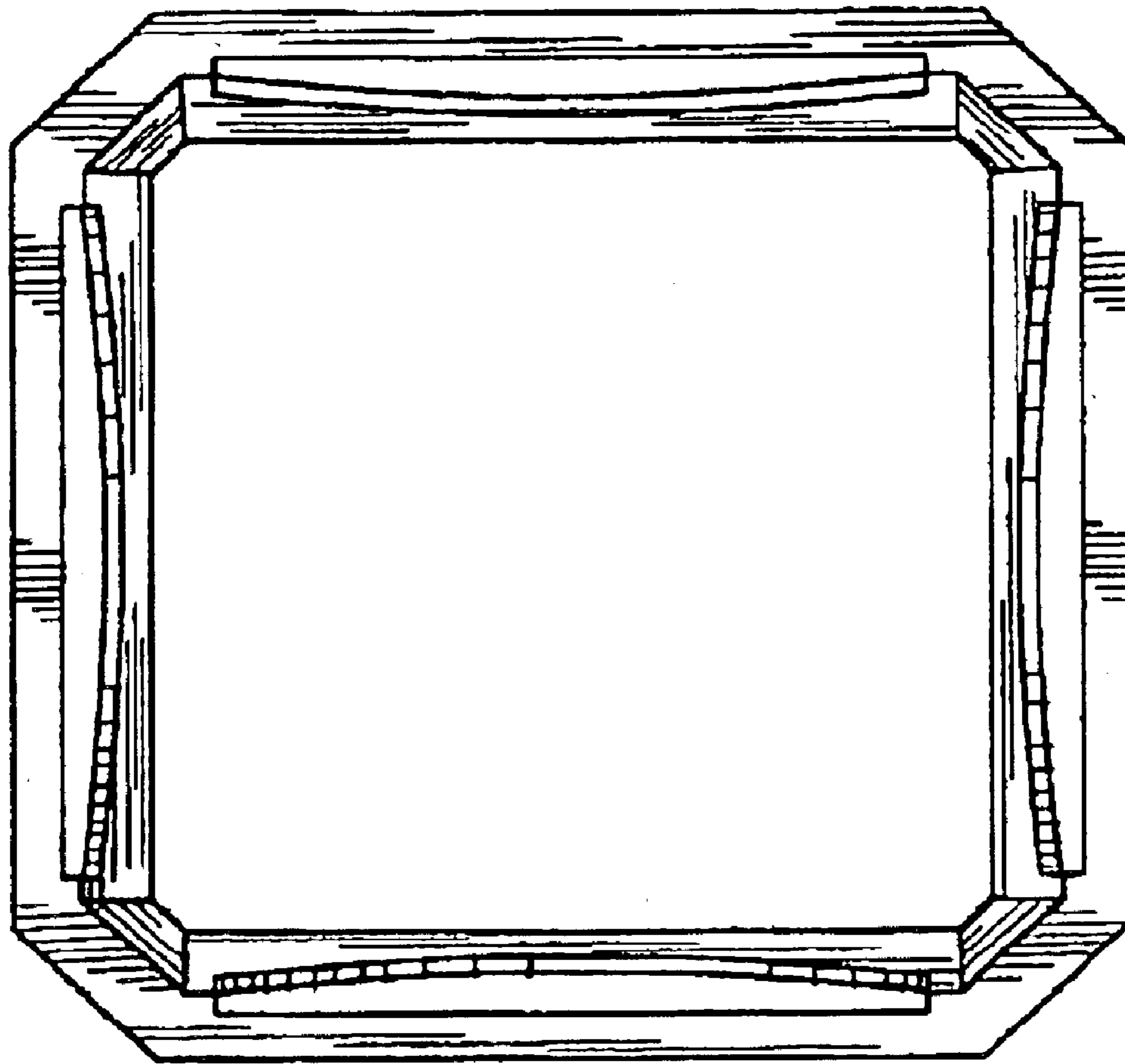


FIG. 5