

US00D500239S

(12) **United States Design Patent**  
**Parker et al.**

(10) **Patent No.:** **US D500,239 S**

(45) **Date of Patent:** **\*\* Dec. 28, 2004**

(54) **SHINGLE LIFTING TOOL**

(75) Inventors: **Thomas W. Parker**, Columbus, OH (US); **Charles B. Wilson**, Dublin, OH (US); **Steven Lyn Goubeaux**, Tipp City, OH (US); **Richard Henderson Harris**, Beavercreek, OH (US); **Michael Douglas Rowe**, Kettering, OH (US)

(73) Assignee: **UnionTools, Inc.**, Columbus, OH (US)

(\*\*) Term: **14 Years**

(21) Appl. No.: **29/198,875**

(22) Filed: **Feb. 5, 2004**

(51) **LOC (7) Cl.** ..... **08-05**

(52) **U.S. Cl.** ..... **D8/89**

(58) **Field of Search** ..... D8/14, 88, 89, D8/98, 45; D32/46; 30/169, 170, 171, 172; 254/25, 131; 294/49, 55, 57

(56) **References Cited**

**U.S. PATENT DOCUMENTS**

|           |   |   |         |               |       |         |
|-----------|---|---|---------|---------------|-------|---------|
| 3,074,694 | A | * | 1/1963  | Erickson, Jr. | ..... | 254/104 |
| 4,086,699 | A | * | 5/1978  | Olkkola       | ..... | 30/172  |
| 4,203,210 | A | * | 5/1980  | Hadlick, Jr.  | ..... | 30/172  |
| 4,466,188 | A | * | 8/1984  | Svendsgaard   | ..... | 30/172  |
| 4,477,972 | A | * | 10/1984 | Testa, Jr.    | ..... | 30/172  |
| D320,149  | S | * | 9/1991  | Owens         | ..... | D8/89   |
| D327,206  | S | * | 6/1992  | Johnson       | ..... | D8/14   |

|           |   |   |        |             |       |       |
|-----------|---|---|--------|-------------|-------|-------|
| D356,482  | S | * | 3/1995 | Jensen, Jr. | ..... | D8/88 |
| D359,434  | S | * | 6/1995 | Gibson      | ..... | D8/89 |
| D378,044  | S | * | 2/1997 | Benjamin    | ..... | D8/88 |
| 5,813,295 | A | * | 9/1998 | Jensen, Jr. | ..... | 81/45 |
| D407,619  | S | * | 4/1999 | Trottier    | ..... | D8/89 |
| D439,126  | S | * | 3/2001 | Gohman      | ..... | D8/89 |

\* cited by examiner

*Primary Examiner*—Philip S. Hyder

(74) *Attorney, Agent, or Firm*—Porter, Wright, Morris & Arthur, LLP

(57) **CLAIM**

The ornamental design for a shingle lifting tool, as shown and described.

**DESCRIPTION**

FIG. 1 is a front/left perspective view of a shingle lifting tool showing our new design;

FIG. 2 is a left side elevational view of the shingle lifting tool of FIG. 1, the right side elevational view being a mirror image thereof;

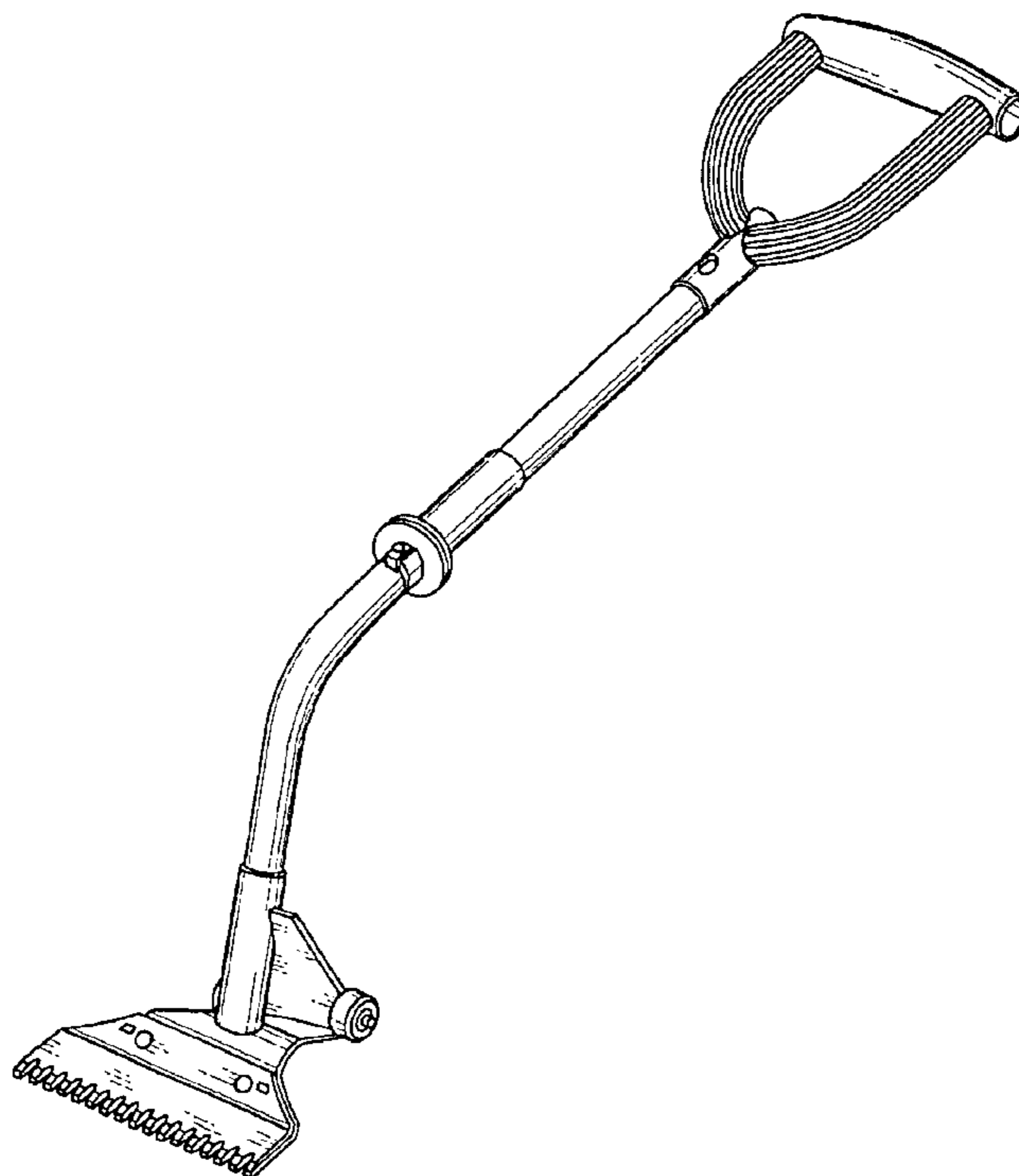
FIG. 3 is a front elevational view of the shingle lifting tool of FIGS. 1 and 2;

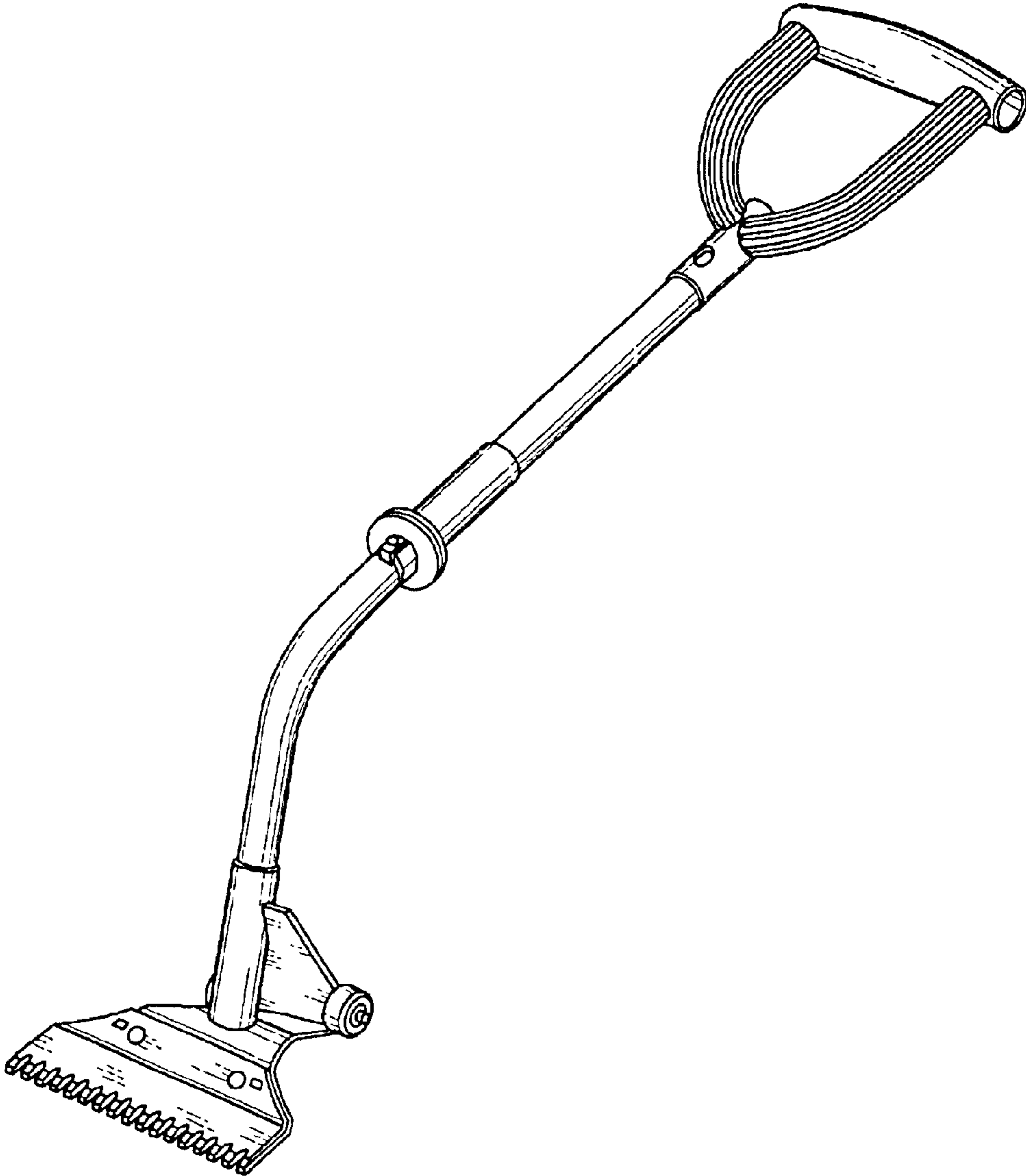
FIG. 4 is a rear elevational view of the shingle lifting tool of FIGS. 1 to 3;

FIG. 5 is a top planar view of the shingle lifting tool of FIGS. 1 to 4; and,

FIG. 6 is a bottom planar view of the shingle lifting tool of FIGS. 1 to 5.

**1 Claim, 4 Drawing Sheets**





*Fig. 1*

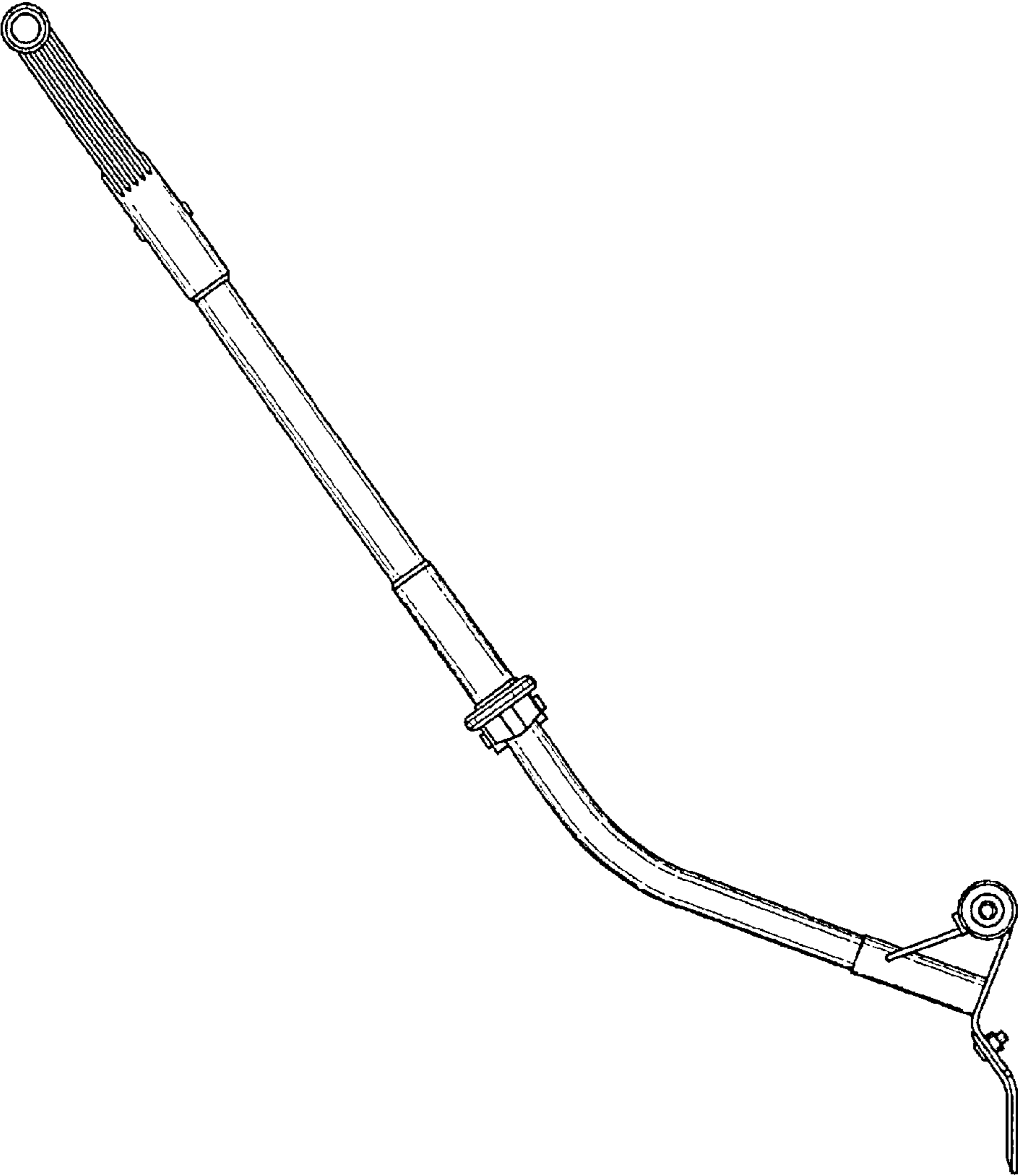
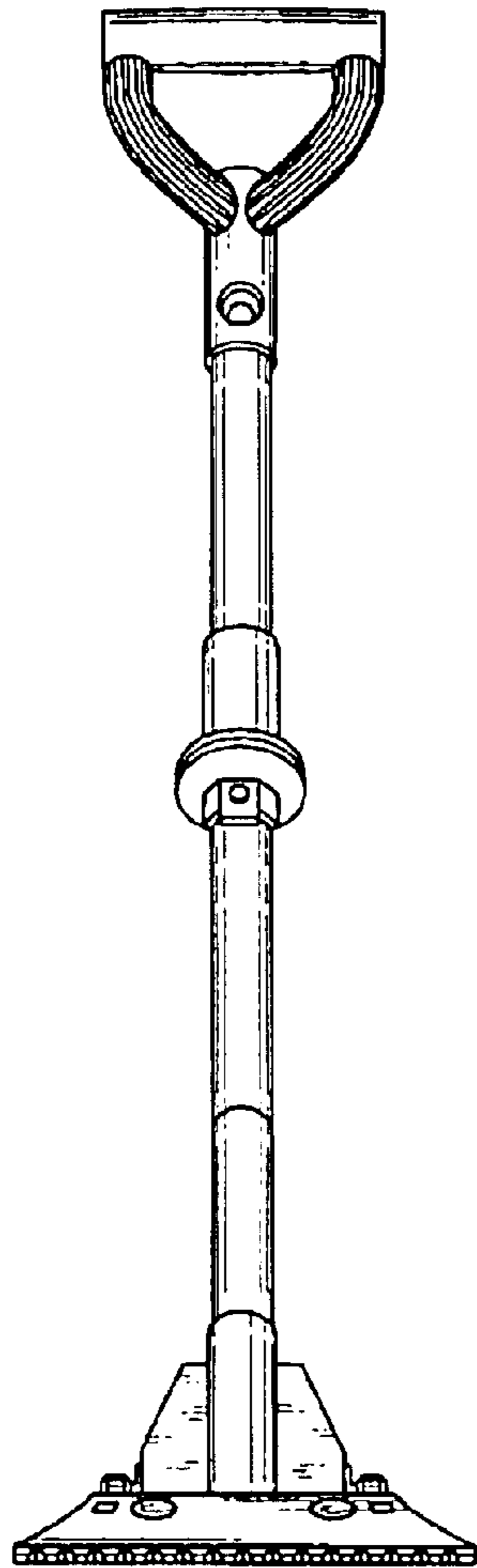
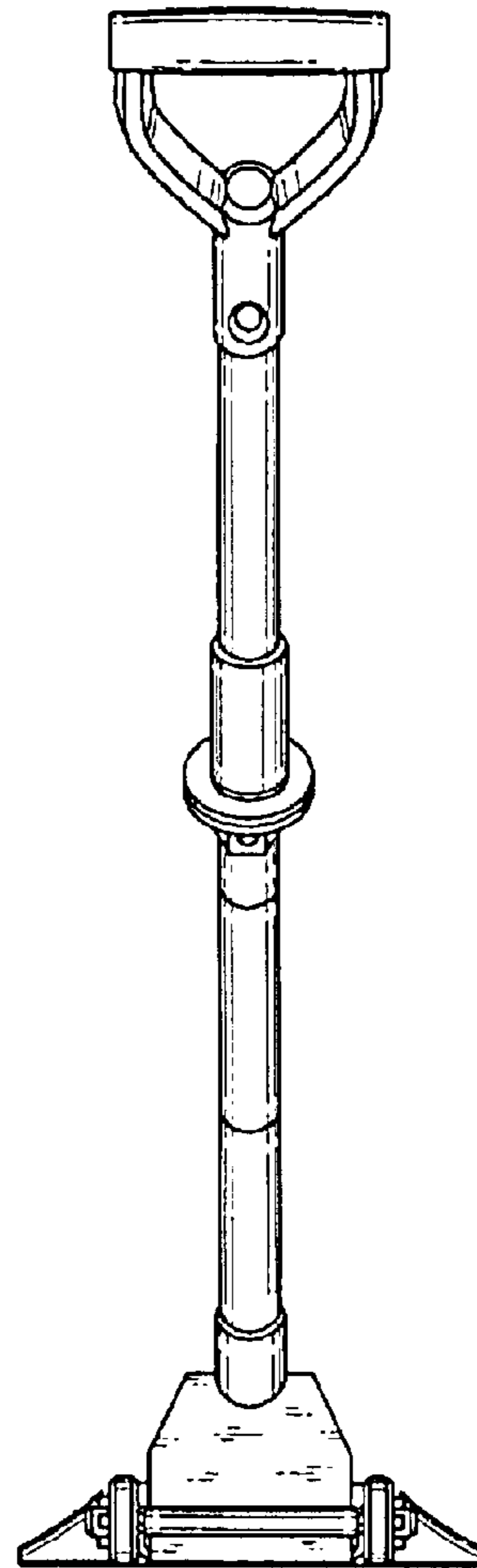


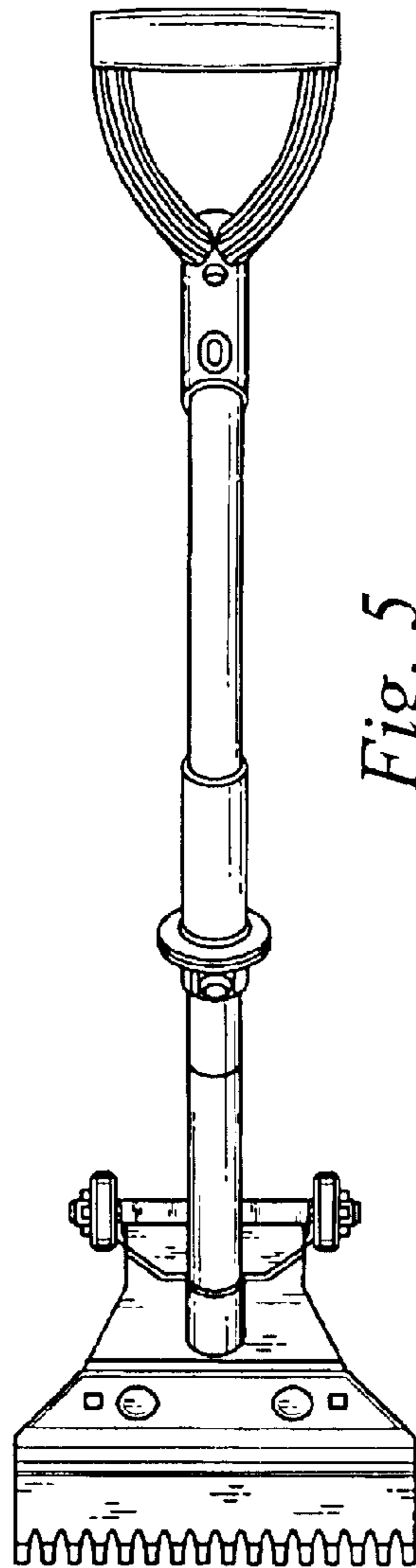
Fig. 2



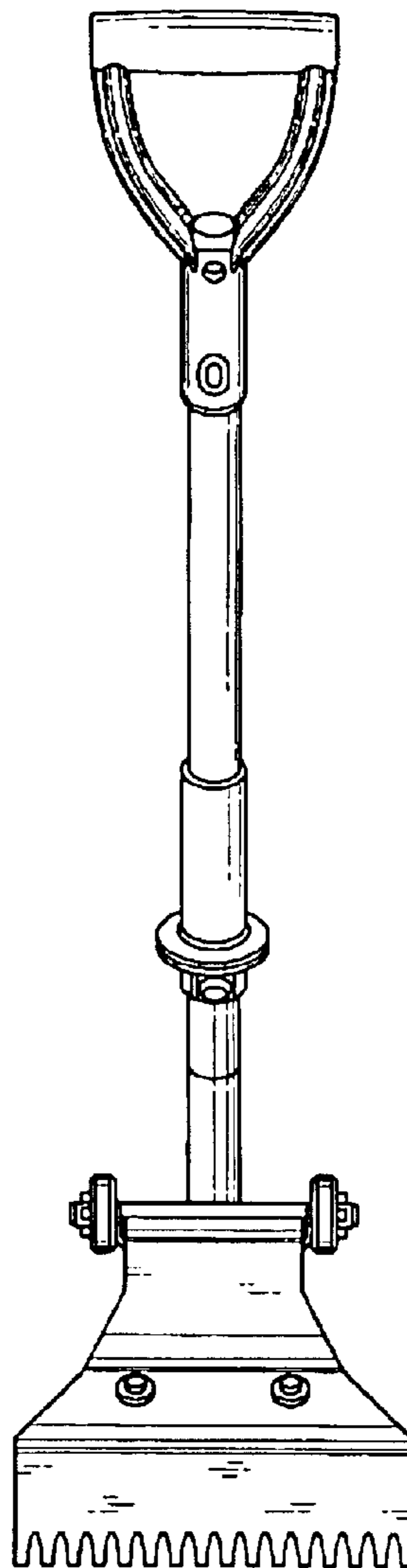
*Fig. 3*



*Fig. 4*



*Fig. 5*



*Fig. 6*