

US00D500238S

(12) **United States Design Patent** (10) **Patent No.:** **US D500,238 S**
Varzino (45) **Date of Patent:** **** Dec. 28, 2004**

(54) **APPARATUS FOR SECURING A WORK PIECE**

(75) Inventor: **Robert E. Varzino**, Batavia, IL (US)

(73) Assignee: **WMH Tool Group, Inc.**, Palatine, IL (US)

(**) Term: **14 Years**

(21) Appl. No.: **29/155,024**

(22) Filed: **Feb. 1, 2002**

(51) **LOC (7) Cl.** **08-05**

(52) **U.S. Cl.** **D8/72**

(58) **Field of Search** D8/72; 269/6, 269/147, 95; 81/487

(56) **References Cited**

U.S. PATENT DOCUMENTS

449,987 A 4/1891 Wies
457,710 A 8/1891 Emmert

(List continued on next page.)

FOREIGN PATENT DOCUMENTS

DE	328149	10/1920
DE	332373	2/1921
DE	1 099 478	2/1961
DE	149 012	4/1972
DE	2 149 012	4/1972
DE	2 326 546	12/1974
DE	24 03 830	3/1975
DE	28 06 555	8/1979
DE	87 03 379.8	9/1987
DE	8907067	10/1989
GB	443381	2/1936
GB	819506	9/1959
GB	956390	4/1964
GB	973387	10/1964
GB	1 408 886	10/1975
GB	1 555 455	11/1979
GB	2 063 111	6/1981

(List continued on next page.)

OTHER PUBLICATIONS

Wilton Corporation 2001 Catalog (21 pages).
Rhombus Tools Limited, United Kingdom Publication, entitled *A Sliding Jaw Clamp*, Nov. 9, 1988 (2 pages).
Phil McCafferty. *One-Hand Clamp*, Popular Science Aug. 1989 (3 pp.).

Primary Examiner—Louis S. Zarfes

Assistant Examiner—Gregory A. Andoll

(74) *Attorney, Agent, or Firm*—Fitch, Even, Tabin & Flannery

(57) **CLAIM**

I claim the ornamental design for an apparatus for securing a work piece, as shown and described.

DESCRIPTION

FIG. 1 is a perspective view of an apparatus for securing a work piece according to my new design, the broken lines of the apparatus for securing a work piece are for illustrative purposes only and form no part of the claimed design;

FIG. 2 is an exploded view of the apparatus for securing a workpiece of FIG. 1, the broken lines of the apparatus for securing a work piece are for illustrative purposes only and form no part of the claimed design;

FIG. 3 is a front elevational view of the apparatus for securing a work piece of FIG. 1, the broken lines of the apparatus for securing a work piece are for illustrative purposes only and form no part of the claimed design;

FIG. 4 is a rear elevational view of the apparatus for securing a work piece of FIG. 1;

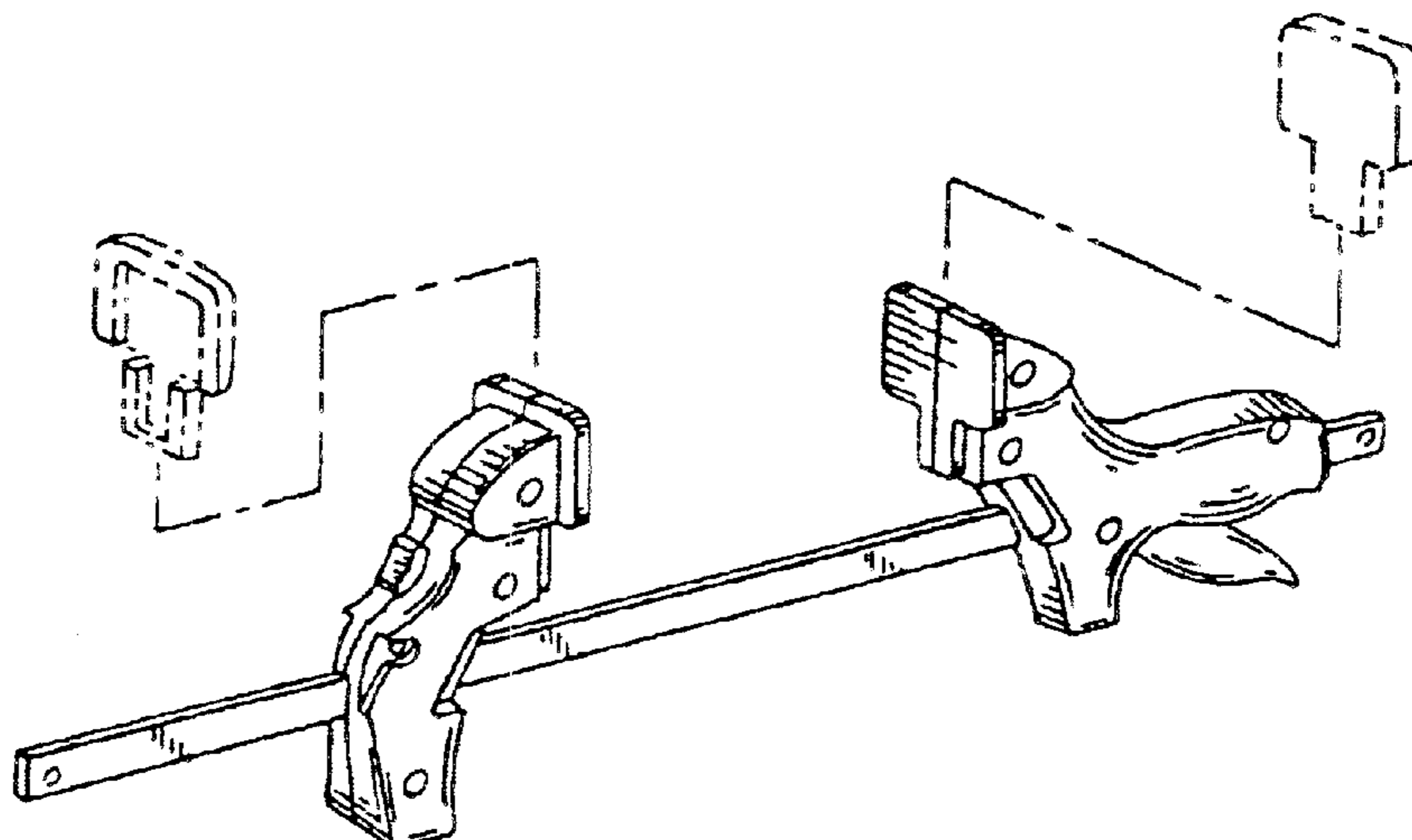
FIG. 5 is a top plan view of the apparatus for securing a work piece of FIG. 1;

FIG. 6 is a bottom plan view of the apparatus for securing a work piece of FIG. 1;

FIG. 7 is a right side elevational view of the apparatus for securing a work piece of FIG. 1; and,

FIG. 8 is a left side elevational view of the apparatus for securing a work piece of FIG. 1.

1 Claim, 3 Drawing Sheets



US D500,238 S

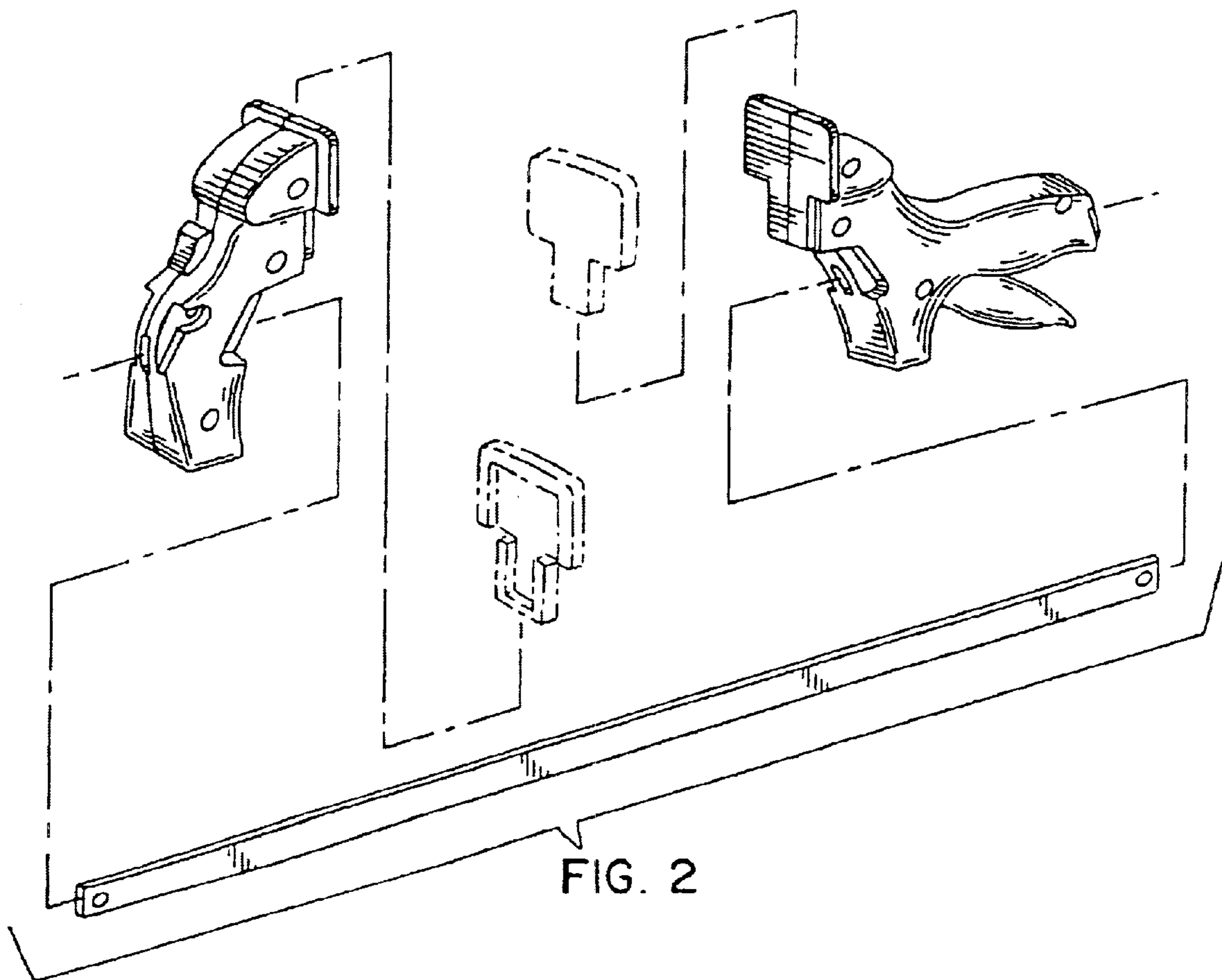
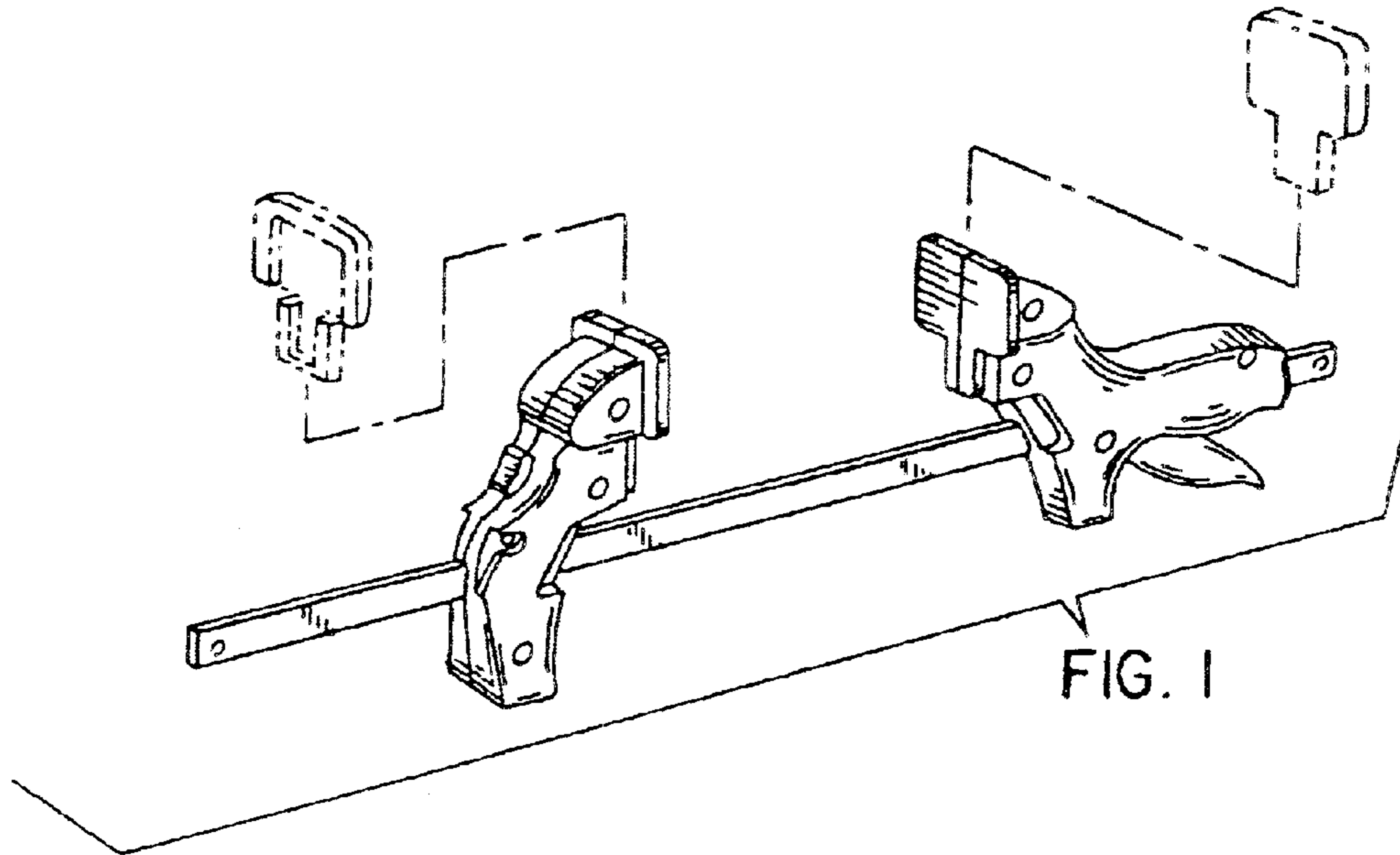
U.S. PATENT DOCUMENTS

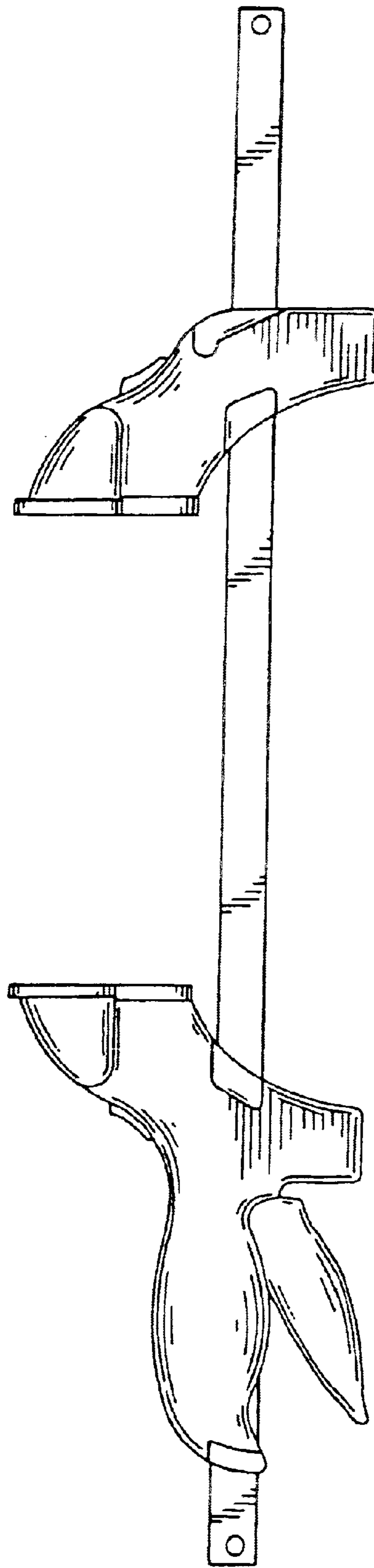
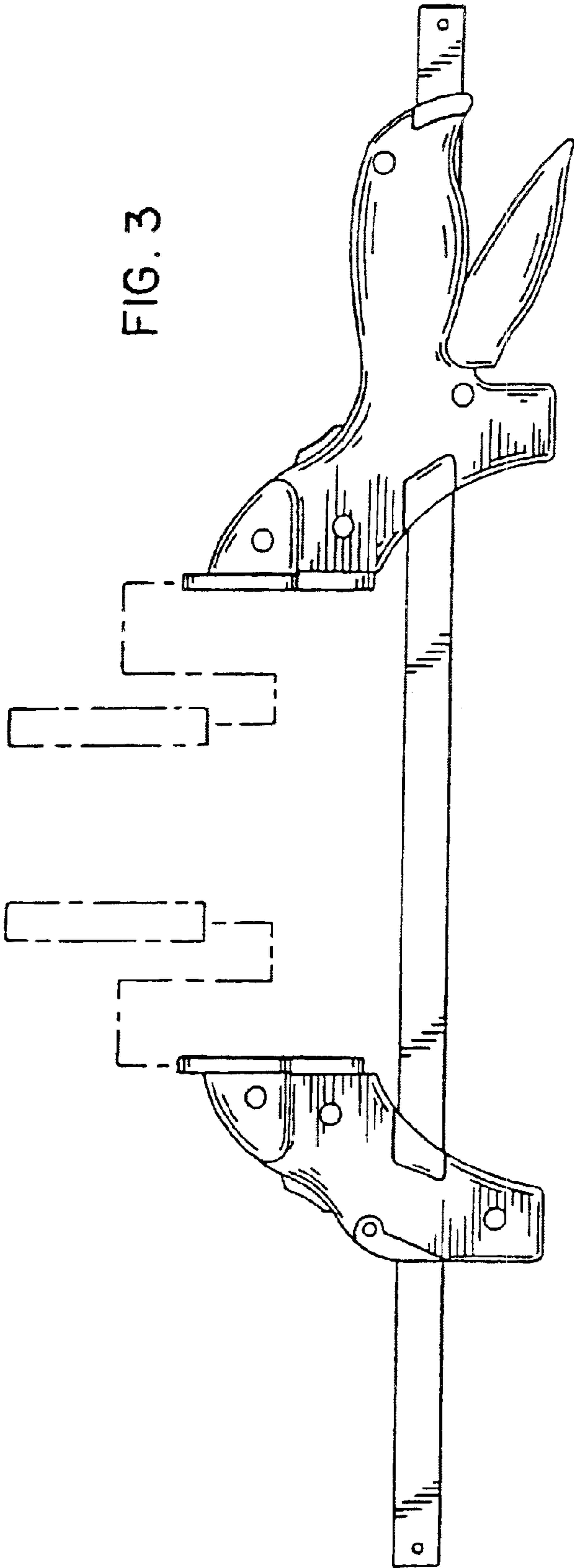
693,811 A	2/1902	Yonge	4,932,638 A	6/1990	Chen		
703,376 A	7/1902	Bingham	4,989,847 A	2/1991	Chapman		
753,837 A	3/1904	Barcus	5,005,449 A	4/1991	Sorensen et al.		
777,611 A	12/1904	Dodge	5,009,134 A	4/1991	Sorensen et al.		
1,106,096 A	8/1914	Hunt	5,022,137 A	6/1991	Sorensen et al.		
1,497,107 A	6/1924	Lasell	D320,919 S	10/1991	Sorensen		
1,739,488 A	12/1929	Thayer	5,094,131 A	3/1992	Sorensen et al.		
1,811,518 A	6/1931	Palmer	D328,846 S *	8/1992	Sorensen et al.	D8/72	
1,890,114 A	12/1932	Fulton	5,161,787 A	11/1992	Hobday		
2,149,541 A	3/1939	Nagle	D333,602 S *	3/1993	Gatzemeyer et al.	D8/72	
2,430,458 A	11/1947	Farrell	5,197,360 A	3/1993	Wooster, Jr.		
2,559,925 A	7/1951	Barker	5,222,420 A	6/1993	Sorensen et al.		
2,669,958 A	2/1954	Sweeney	5,348,276 A	9/1994	Blacker		
2,704,951 A	3/1955	Petersen	5,421,384 A	6/1995	Nuwordu		
2,734,409 A	2/1956	Schum et al.	5,454,551 A	10/1995	Hobday		
D181,115 S	10/1957	Vogl	D366,820 S *	2/1996	Wooster, Jr. et al.	D8/72	
3,007,358 A	11/1961	Vogl et al.	5,568,916 A	10/1996	Gibbons et al.		
3,096,975 A	7/1963	Irwin	5,593,147 A	1/1997	Read		
3,193,277 A	7/1965	Nagamori	5,692,734 A	12/1997	Aldredge, Sr.		
3,224,752 A	12/1965	Benbow	5,775,680 A	7/1998	Sorensen et al.		
3,281,140 A	10/1966	Smierciak	5,826,310 A	10/1998	Hobday		
3,307,843 A	3/1967	Torossian	5,830,091 A	11/1998	Romanick		
3,377,061 A	4/1968	Watson	5,853,168 A	12/1998	Drake		
3,492,886 A	2/1970	Naureckas	D417,377 S	12/1999	Blank et al.		
3,663,005 A	5/1972	Peddinghaus	6,113,085 A	9/2000	Lindenthal et al.		
3,669,440 A	6/1972	Kartasuk et al.	6,135,435 A	10/2000	Schmitz		
3,675,916 A	7/1972	Kartasuk et al.	6,220,589 B1	4/2001	Smith, III et al.		
3,768,797 A	10/1973	Kartasuk et al.	6,347,792 B1	2/2002	O'Brien		
3,883,128 A	5/1975	Breese	6,412,767 B1	7/2002	Beckmann et al.		
4,040,613 A	8/1977	Kartasuk et al.	6,450,489 B1	9/2002	Wang		
4,057,239 A	11/1977	Hopf et al.	6,530,565 B1	3/2003	Simpson		
4,081,112 A	3/1978	Chang	2002/0043752 A1	4/2002	Reed et al.		
4,185,811 A	1/1980	Long	2003/0090048 A1 *	5/2003	Varzino et al.	269/95	
4,220,322 A	9/1980	Hobday					
4,253,648 A	3/1981	Meeks					
4,339,113 A	7/1982	Vosper					
4,436,294 A	3/1984	Irelan					
4,534,547 A	8/1985	Cox					
4,563,921 A	1/1986	Wallace					
4,830,350 A	5/1989	Kuei					
4,893,801 A	1/1990	Flinn					
4,926,722 A	5/1990	Sorensen et al.					

FOREIGN PATENT DOCUMENTS

GB	2 178 689 A	2/1987
GB	2 182 271	5/1987
GB	2 204 260 A	11/1988
GB	2 204 263 A	11/1988
GB	2 204 264 A	11/1988
GB	2 214 109 A	8/1989
GB	2 221 634	2/1990

* cited by examiner





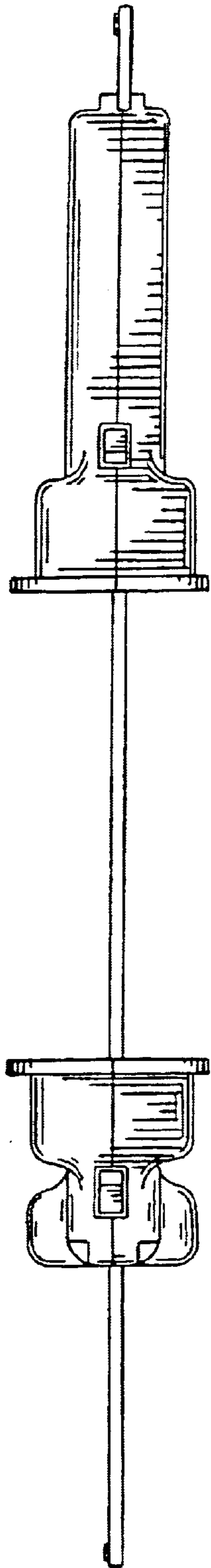


FIG. 5

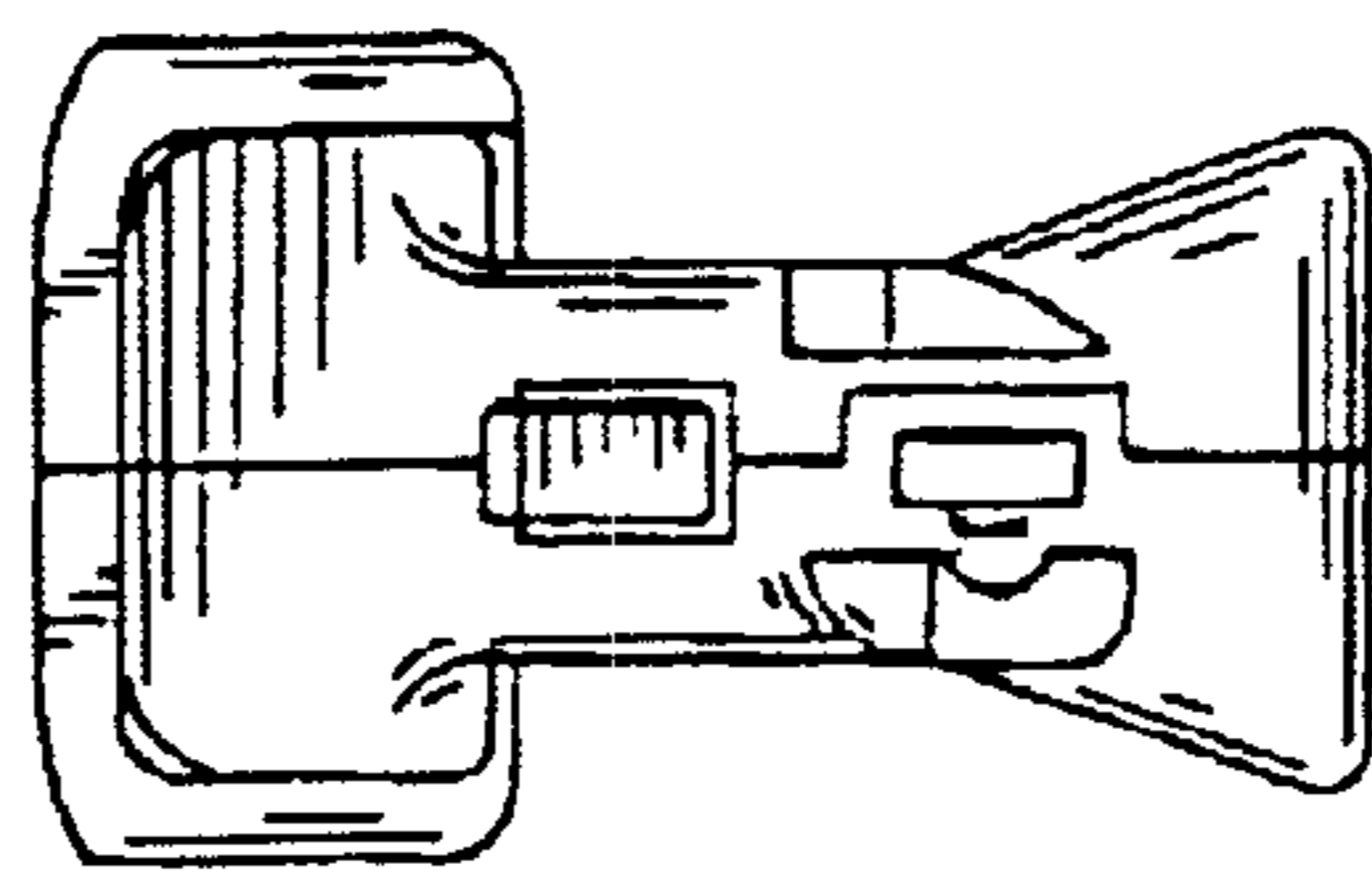


FIG. 7

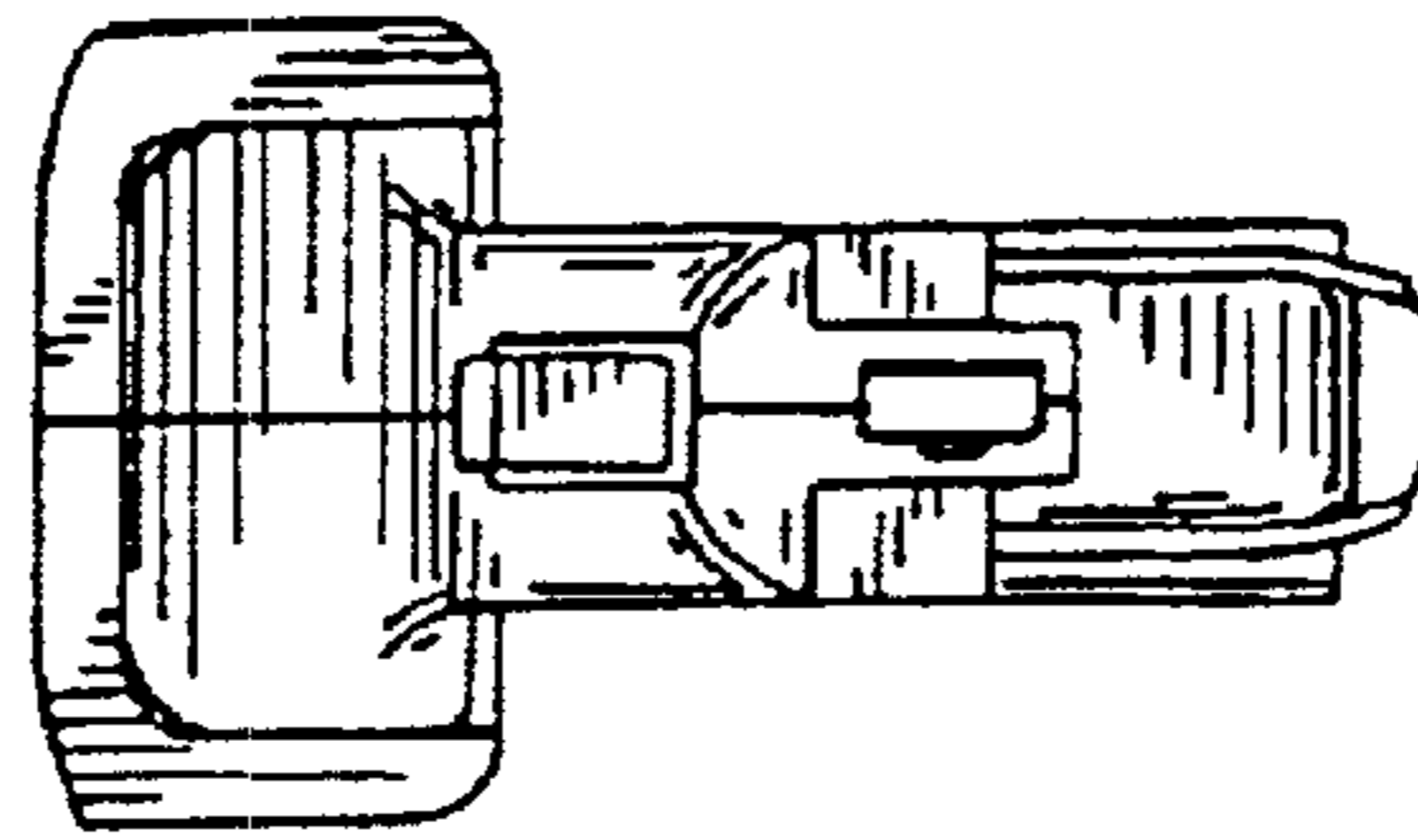


FIG. 8

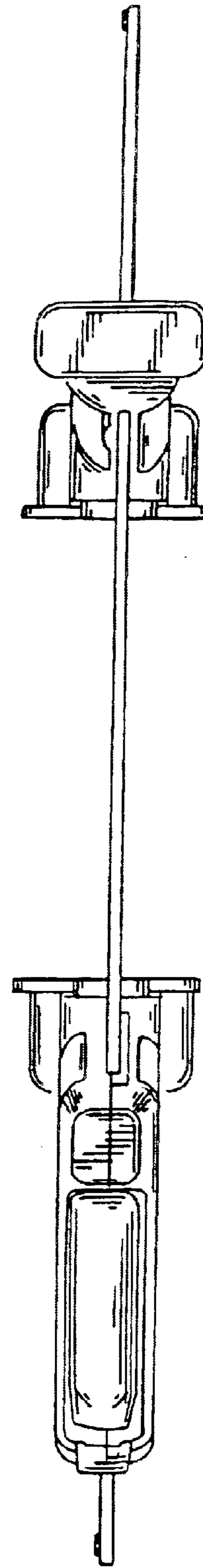


FIG. 6