

US00D500237S

(12) **United States Design Patent** (10) **Patent No.:** **US D500,237 S**  
**Niswonger** (45) **Date of Patent:** **\*\* Dec. 28, 2004**

(54) **RAKE**

(74) *Attorney, Agent, or Firm*—Ronald Rohde

(76) **Inventor:** **John O. H. Niswonger**, 28947  
Thousand Oaks Blvd., #212, Agoura  
Hills, CA (US) 91301

(57) **CLAIM**

I claim the ornamental design for a rake, as shown and described.

(\*\*) **Term:** **14 Years**

**DESCRIPTION**

(21) **Appl. No.:** **29/189,743**

FIG. 1 is a bottom perspective view of my new rake design;  
 FIG. 2 is a top perspective view thereof;  
 FIG. 3 is a bottom plan view thereof;  
 FIG. 4 is a top plan view thereof;  
 FIG. 5 is a front elevation view thereof;  
 FIG. 6 is a rear elevation view thereof;  
 FIG. 7 is a sectional view thereof taken along line 7—7 of FIG. 6;  
 FIG. 8 is a sectional view thereof taken along line 8—8 of FIG. 6;  
 FIG. 9 is an enlarged left elevation view thereof, the right elevation view thereof being a mirror image of the left;  
 FIG. 10 is an enlarged sectional view of one of the rake teeth along line 10—10 of FIG. 9; and,  
 FIG. 11 is an enlarged, elevation view of one of the rake teeth.

The broken line of a rake handle is for illustrative purposes only and forms no part of the claimed design.

(22) **Filed:** **Sep. 10, 2003**

(51) **LOC (7) Cl.** ..... **08-01**

(52) **U.S. Cl.** ..... **D8/13**

(58) **Field of Search** ..... D8/13; 56/400.01,  
56/400.04, 400.05, 400.06, 400.07, 400.08,  
400.09, 400.21

(56) **References Cited**

**U.S. PATENT DOCUMENTS**

D329,785 S	*	9/1992	Colonello	.....	D8/13
D392,854 S	*	3/1998	Gregory	.....	D8/13
D397,592 S	*	9/1998	Widmer	.....	D8/13
D437,533 S	*	2/2001	South	.....	D8/13

\* cited by examiner

*Primary Examiner*—Holly Baynham

**1 Claim, 5 Drawing Sheets**

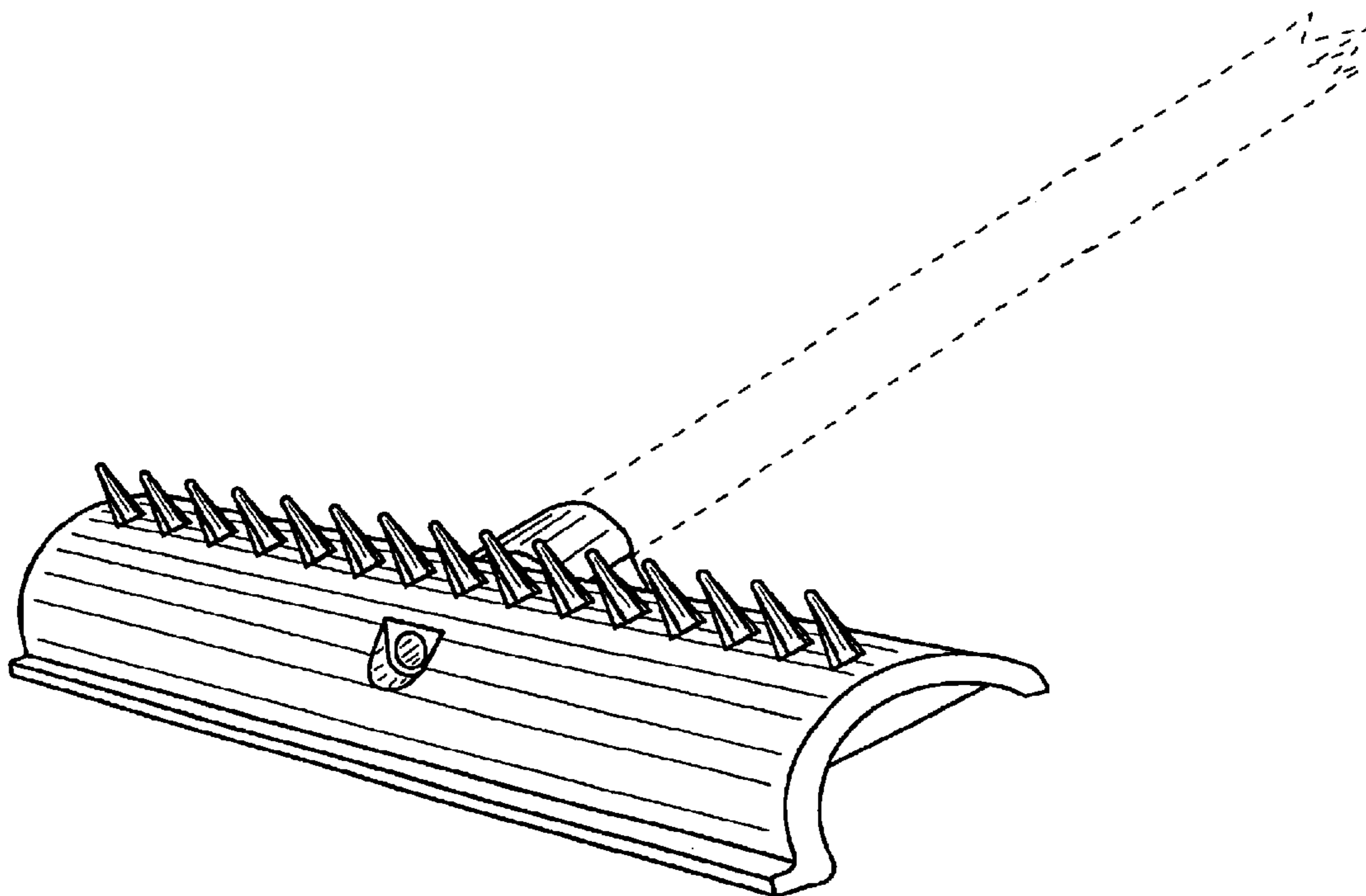


Fig. 1

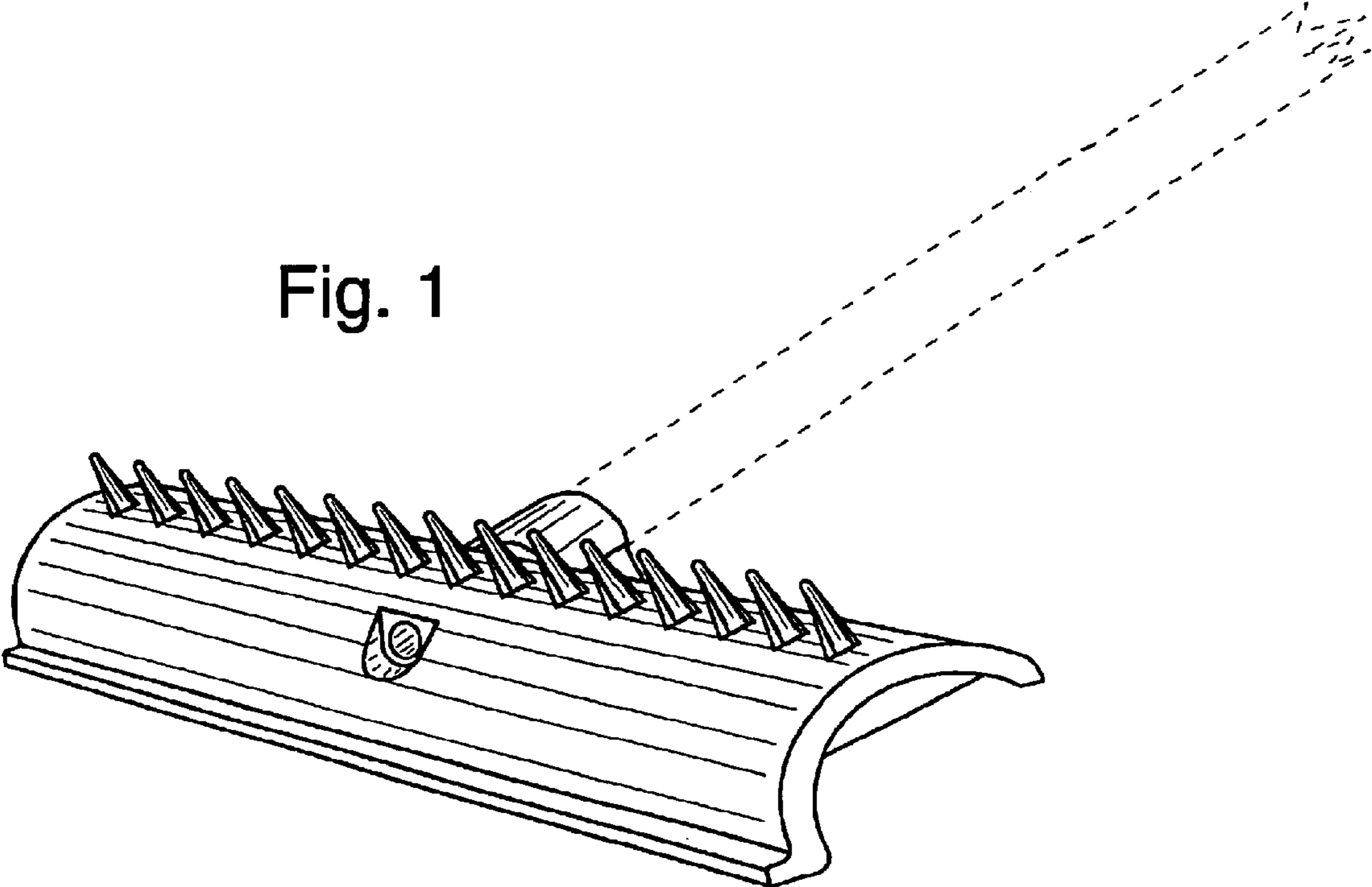
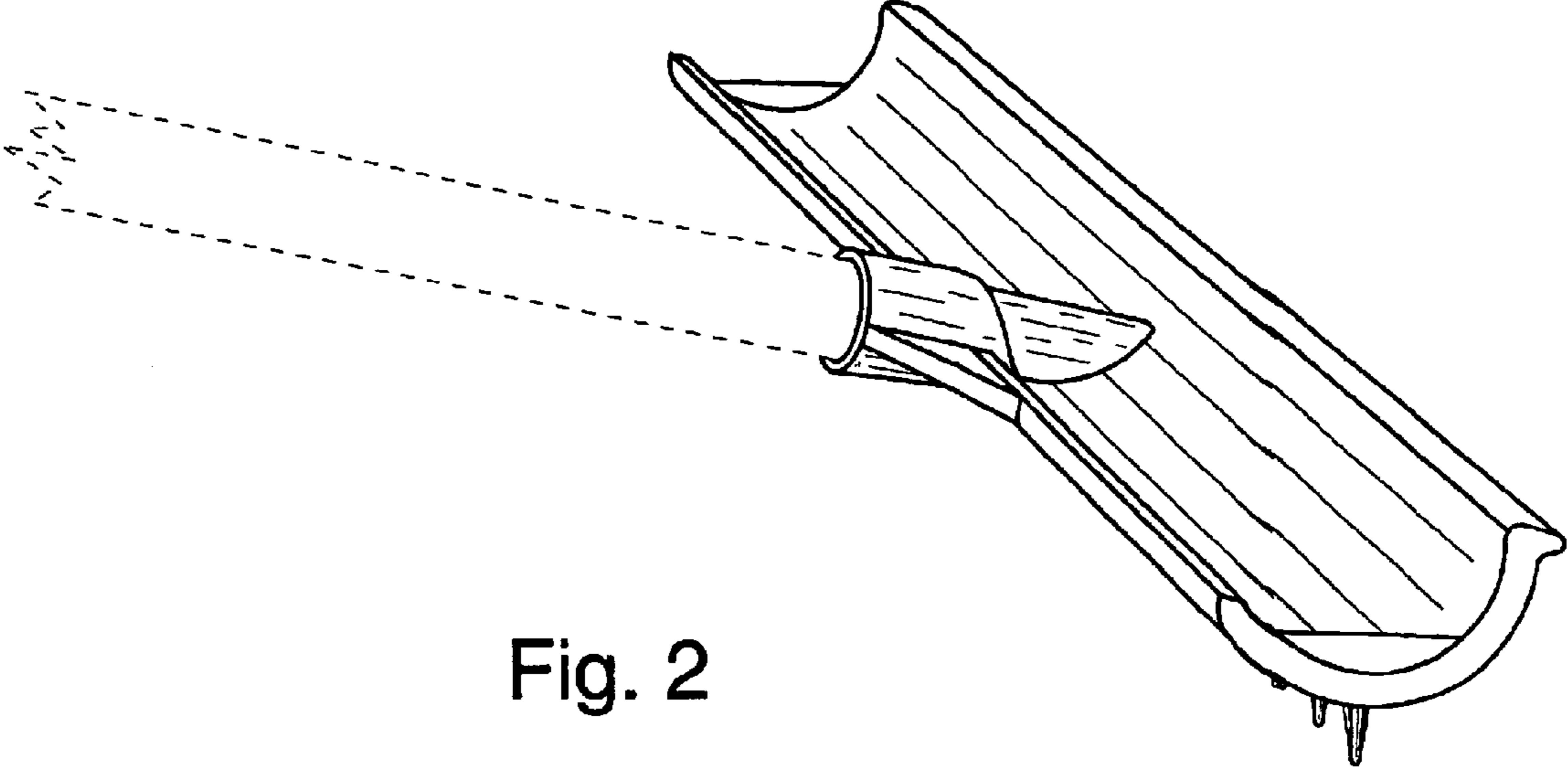


Fig. 2



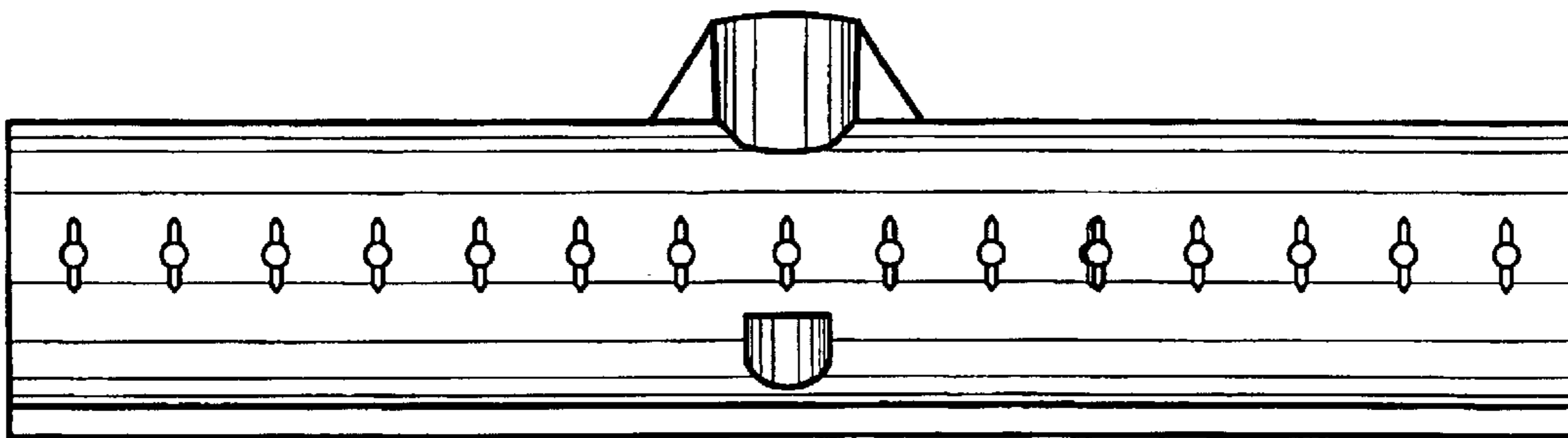


Fig. 3

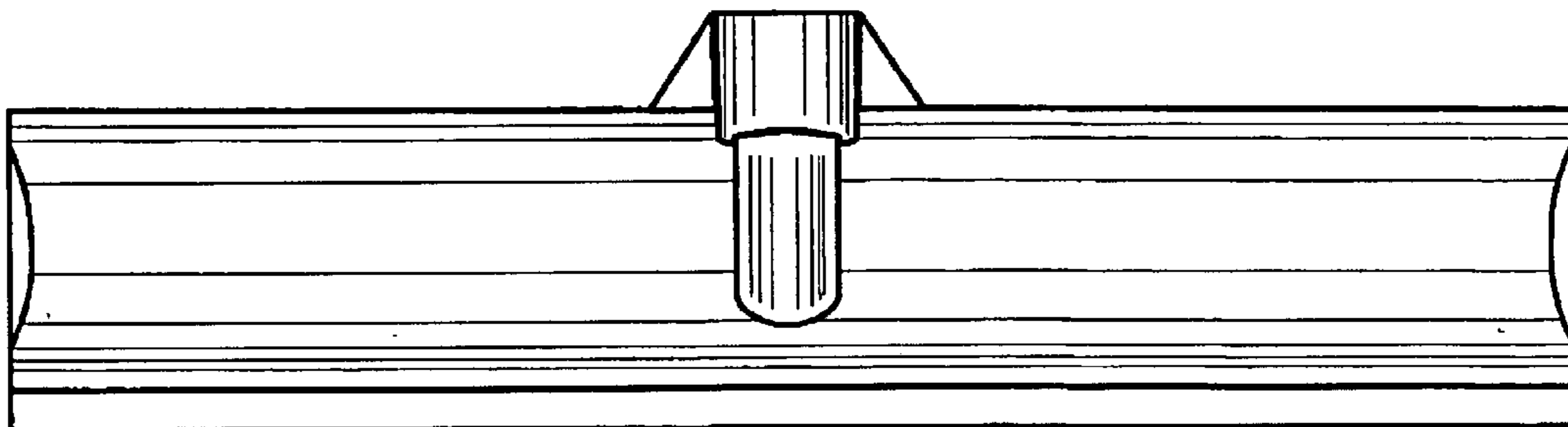


Fig. 4

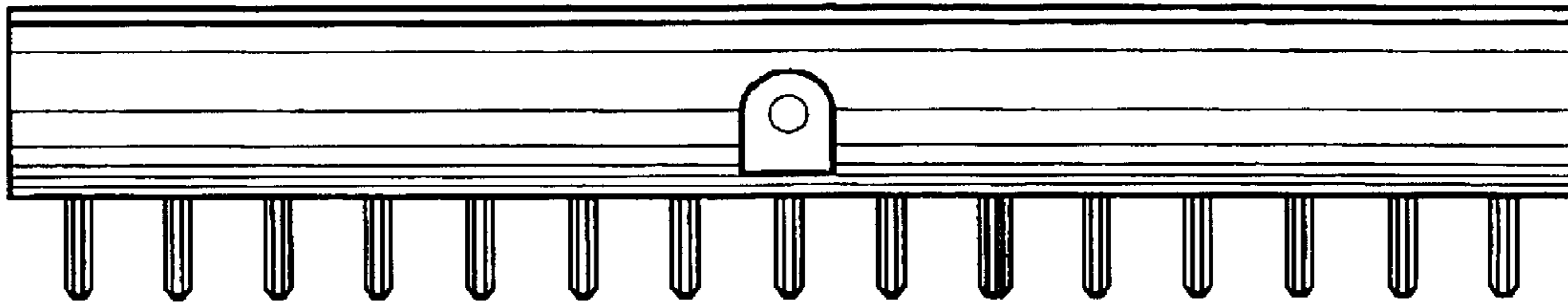


Fig. 5

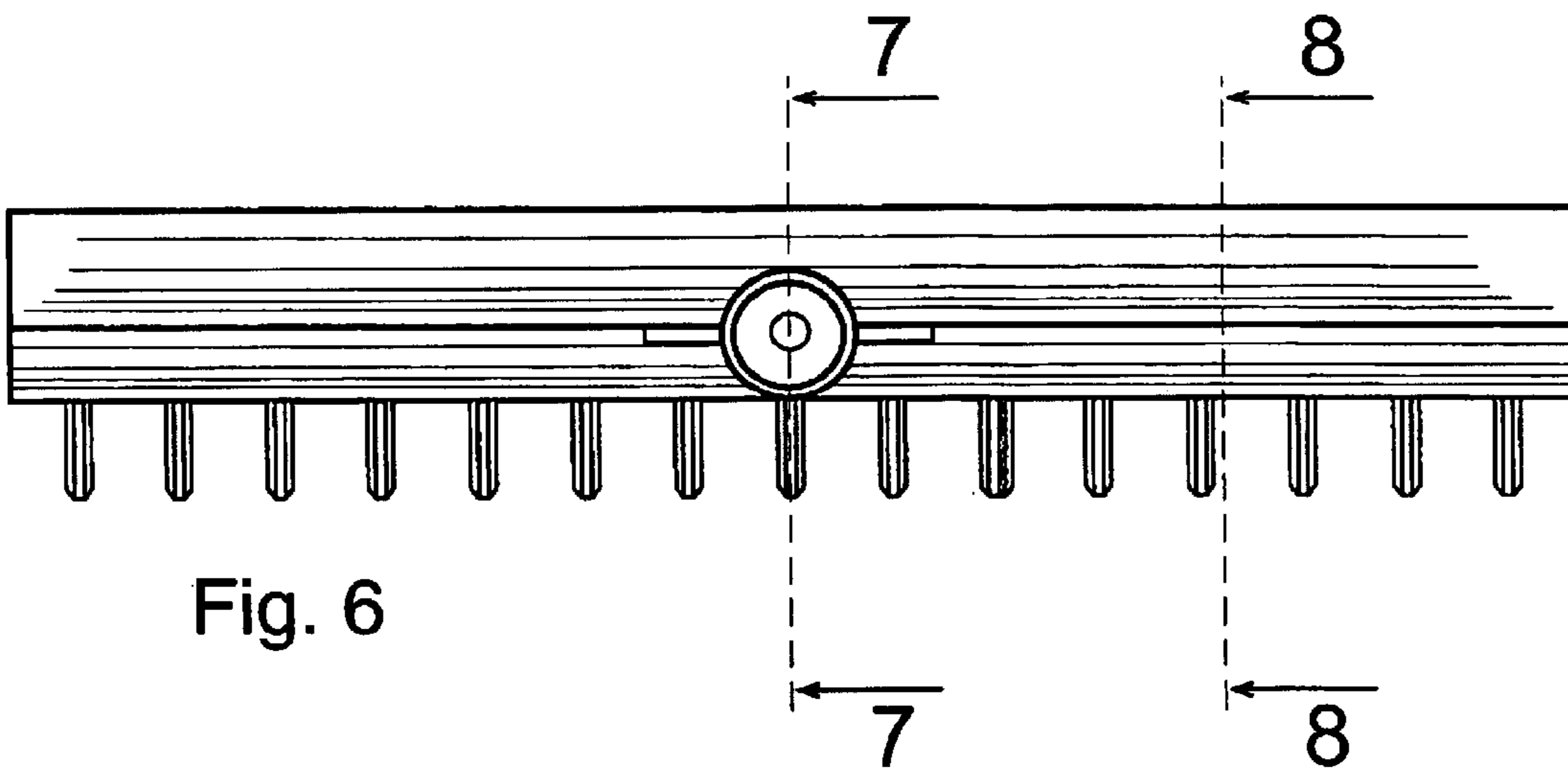


Fig. 6

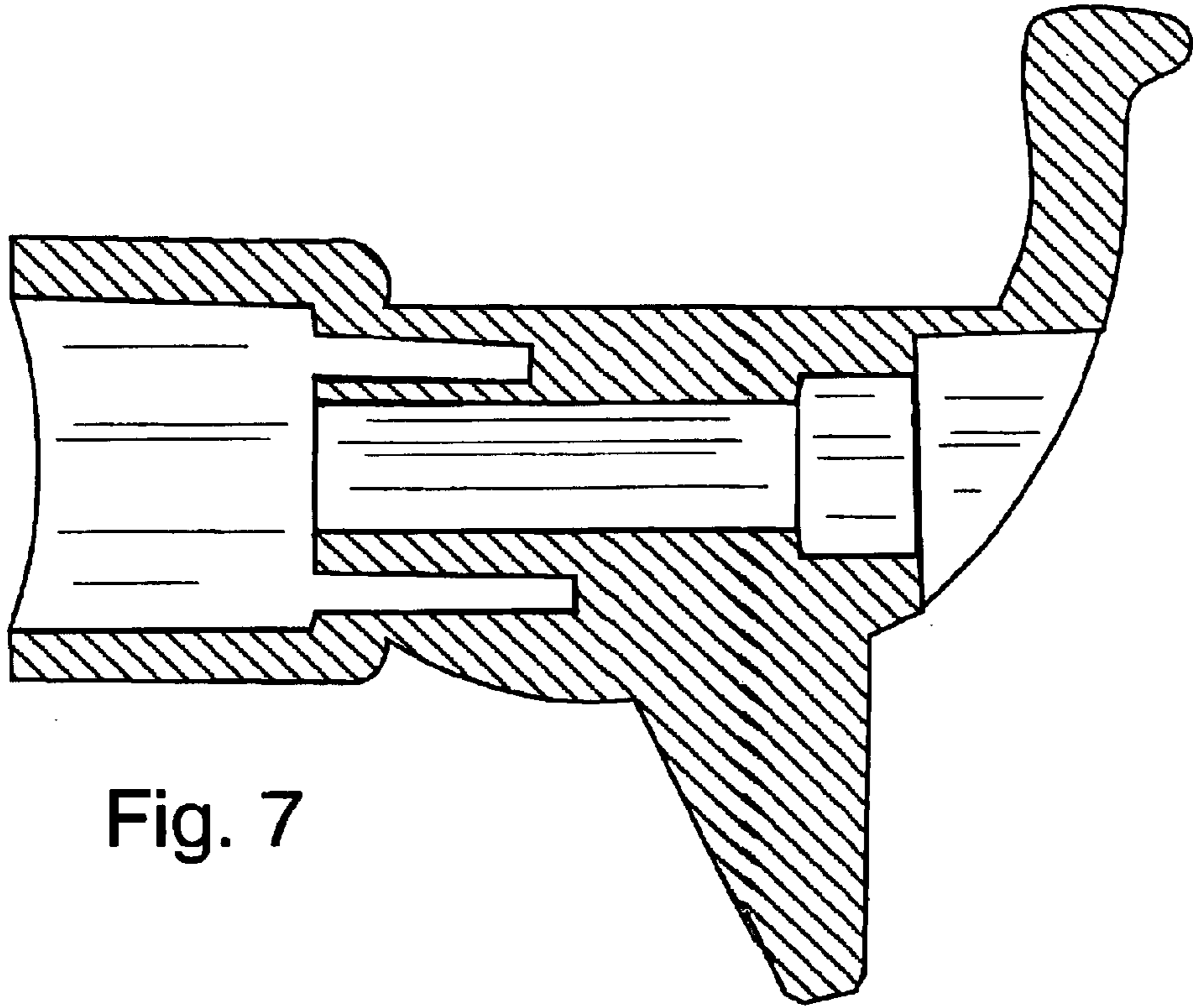


Fig. 7

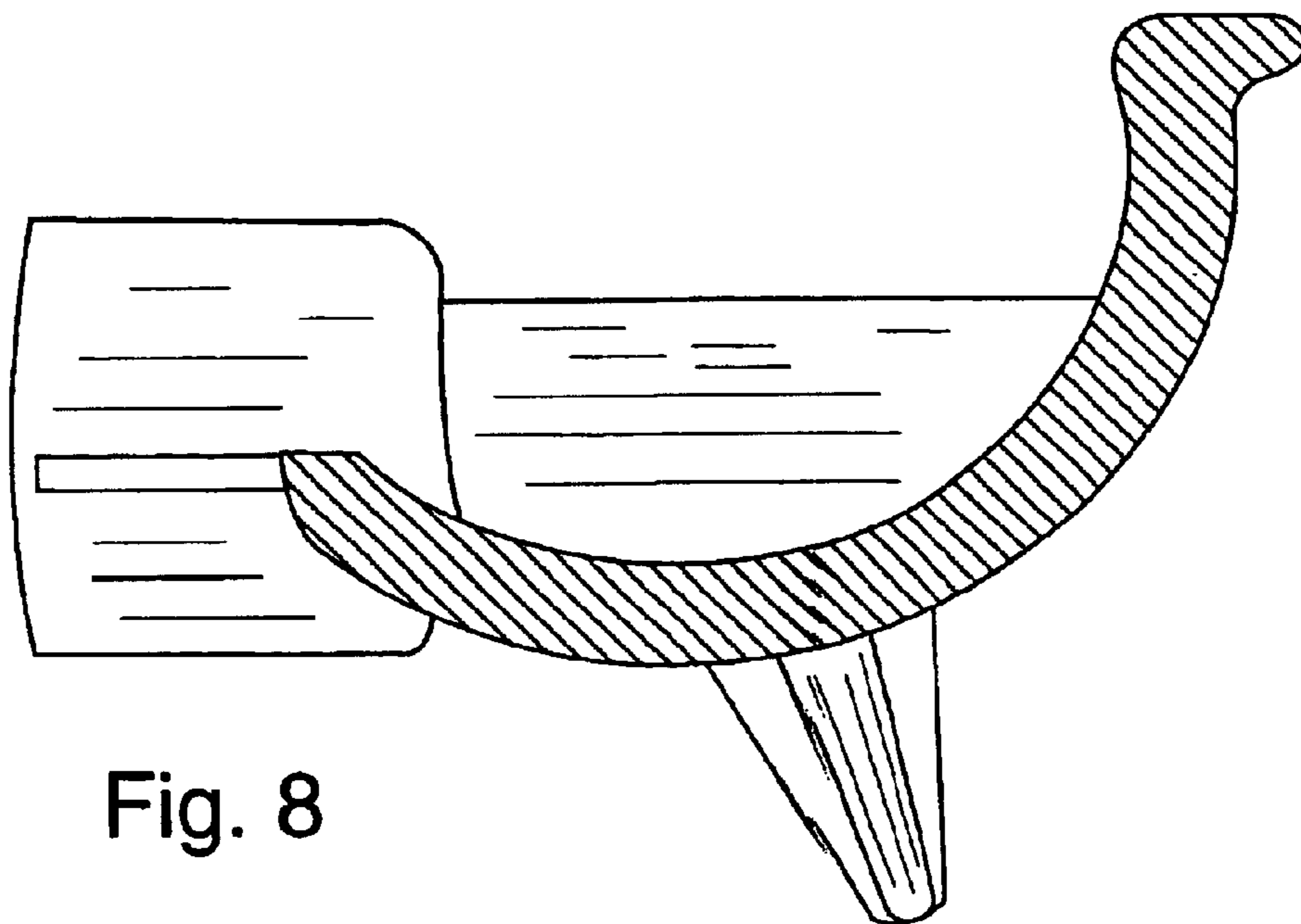


Fig. 8

Fig. 9

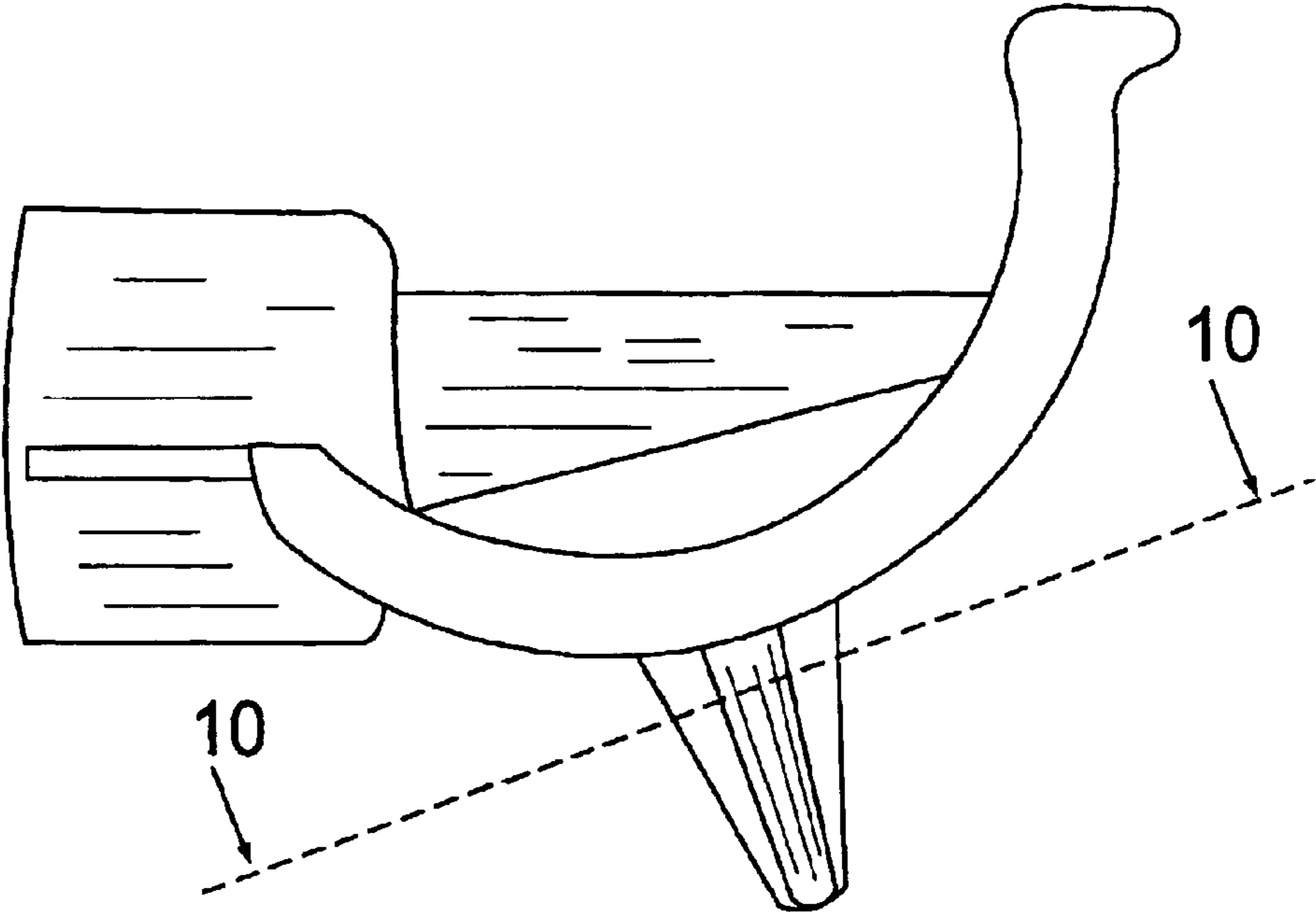


Fig. 10

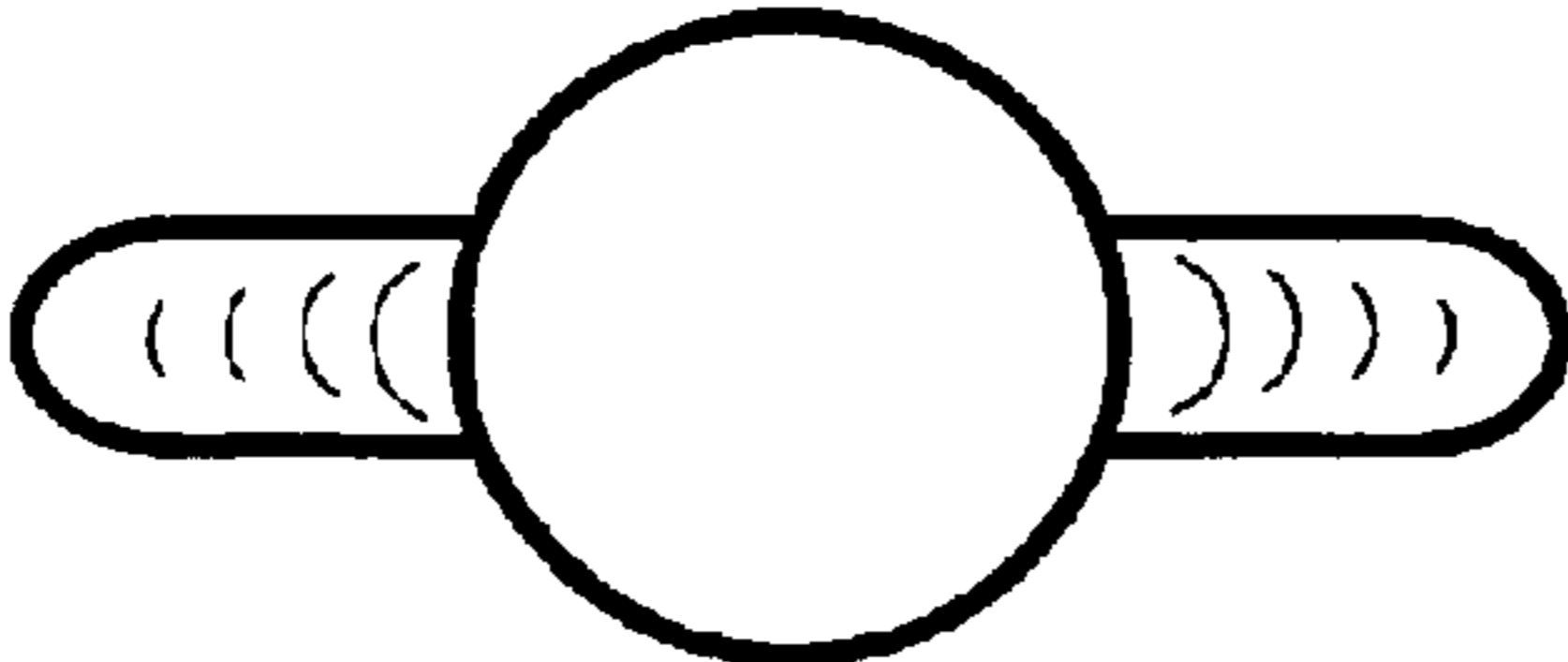


Fig. 11

