



US00D500227S

(12) **United States Design Patent** (10) **Patent No.:** **US D500,227 S**  
**Seok** (45) **Date of Patent:** **\*\* Dec. 28, 2004**

(54) **LID FOR AN AIRTIGHT CONTAINER FOR STORING FOODS**

D481,910 S \* 11/2003 Kim ..... D7/629  
D483,622 S \* 12/2003 Kim ..... D7/629

(75) Inventor: **Chong-Chul Seok**, Incheon (KR)

\* cited by examiner

(73) Assignee: **Hana Cobi Co., Ltd.**, Incheon (KR)

*Primary Examiner*—Terry A. Wallace  
(74) *Attorney, Agent, or Firm*—Birch, Stewart, Kolasch & Birch, LLP

(\*\*) Term: **14 Years**

(21) Appl. No.: **29/191,956**

(22) Filed: **Oct. 17, 2003**

(30) **Foreign Application Priority Data**

May 12, 2003 (KR) ..... 30-2003-0012978

(51) **LOC (7) Cl.** ..... **07-01**

(52) **U.S. Cl.** ..... **D7/392.1**

(58) **Field of Search** ..... D7/392.1, 391,  
D7/629, 538-542; D9/454, 43-432; D3/201,  
203, 205, 206, 273, 274; 220/309.1, 324,  
281, 662, 675, 780-799, 574, 574.1

(56) **References Cited**

**U.S. PATENT DOCUMENTS**

D452,374 S \* 12/2001 Kim ..... D9/424  
D455,321 S \* 4/2002 Jung et al. .... D7/629

(57) **CLAIM**

The ornamental design for a lid for an airtight container for storing foods, substantially as shown and described.

**DESCRIPTION**

FIG. 1 is a Perspective view of the lid for an airtight container for storing foods according to the present invention;  
FIG. 2 is a Front view thereof;  
FIG. 3 is a Rear view thereof;  
FIG. 4 is a Left-side view thereof;  
FIG. 5 is a Right-side view thereof;  
FIG. 6 is a Top Plan view thereof; and,  
FIG. 7 is a Bottom Plan view thereof.  
The broken lines are for illustrative purposes only and form no part of the claimed design.

**1 Claim, 4 Drawing Sheets**

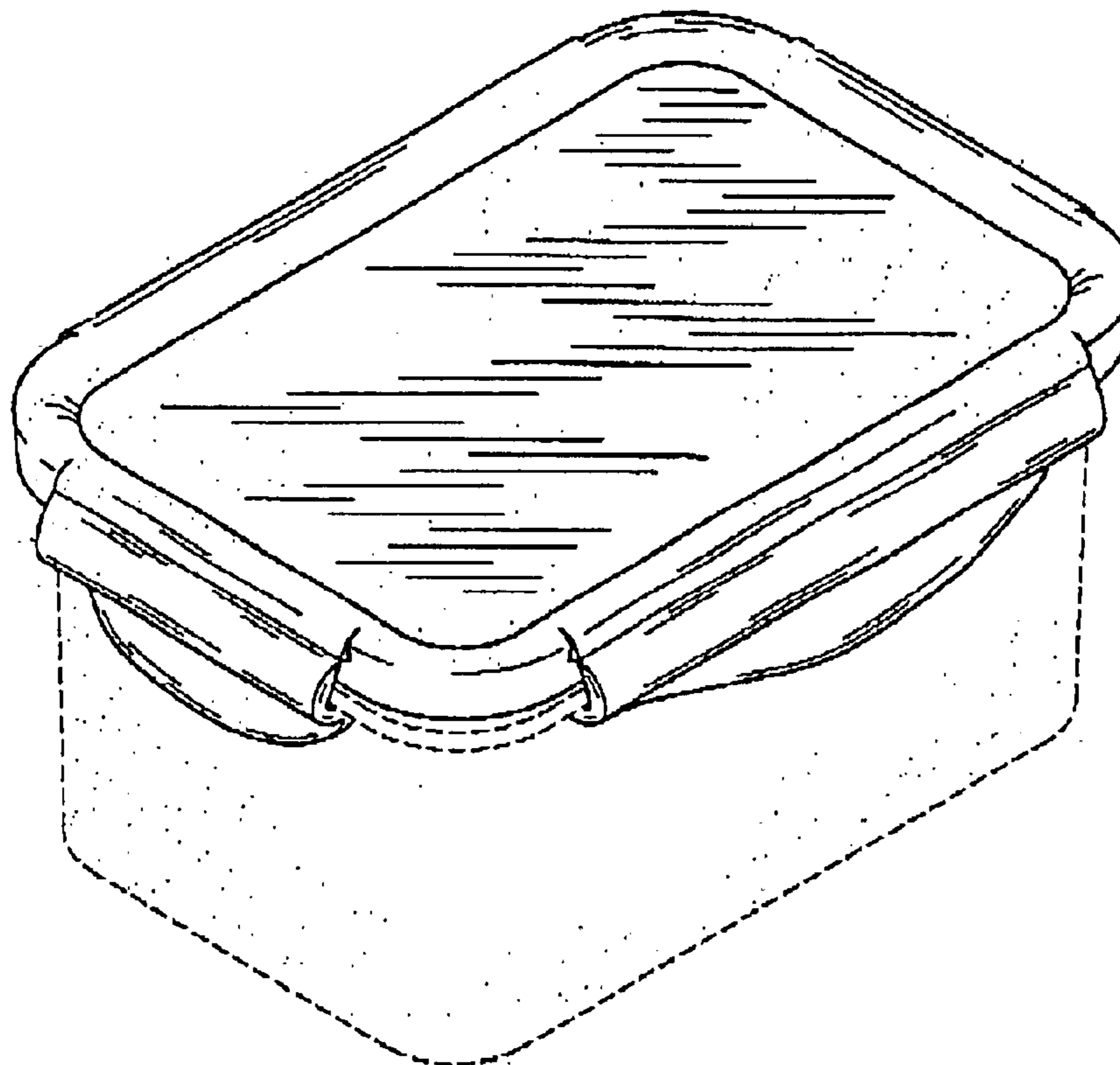


Fig. 1

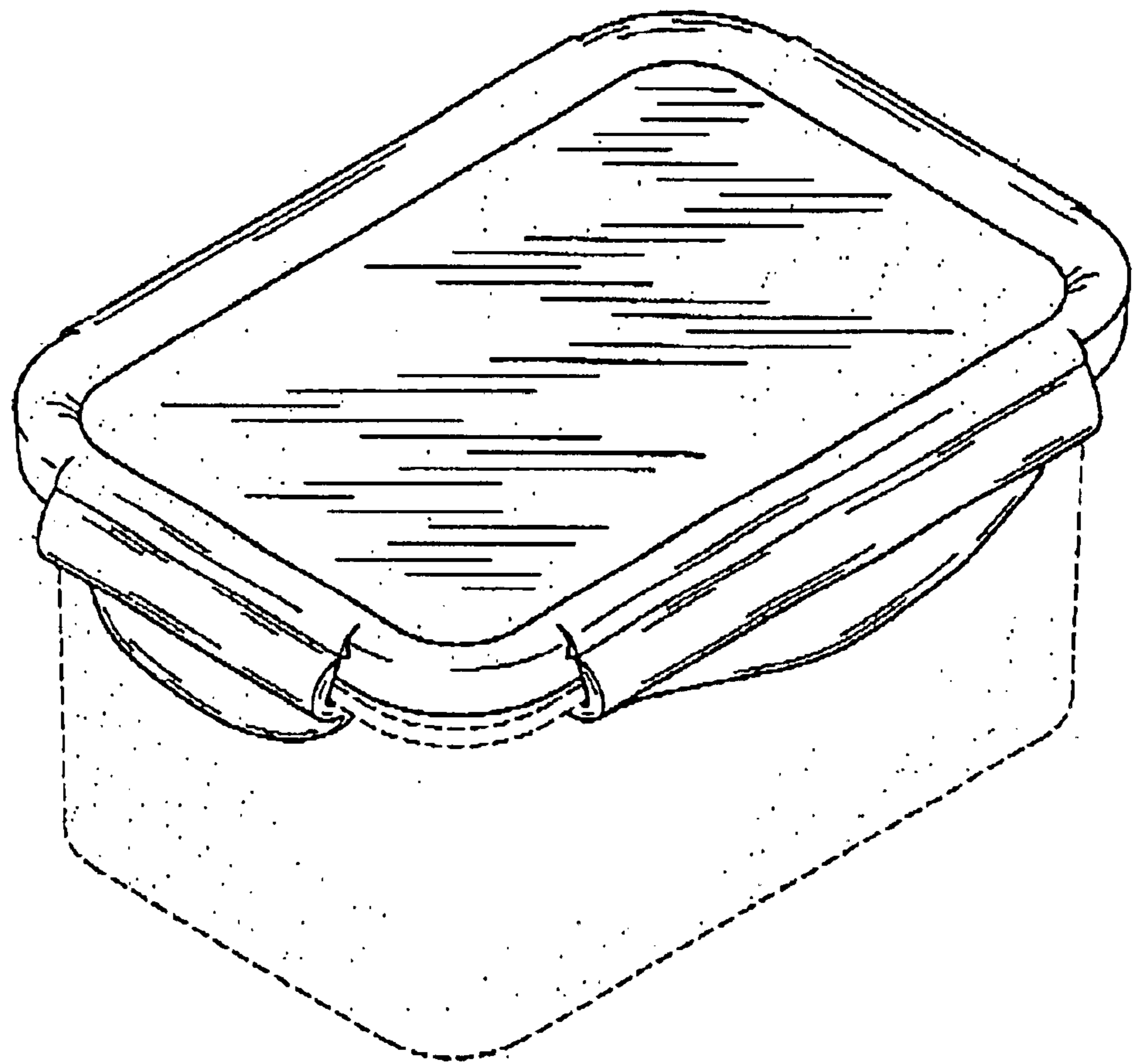


Fig.2

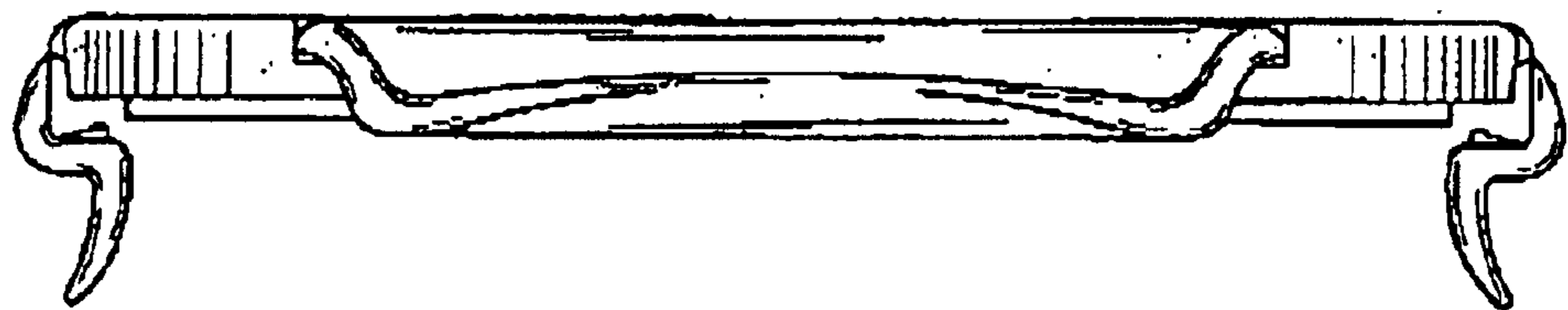


Fig.3

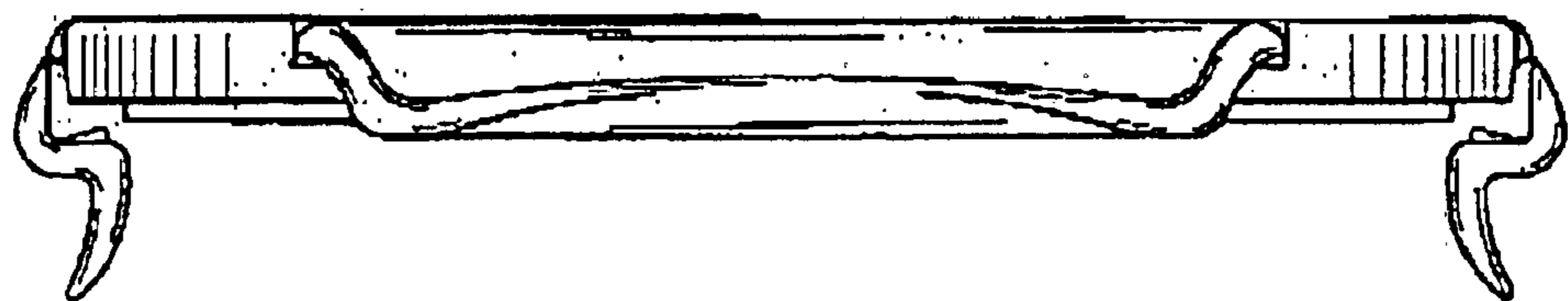


Fig.4

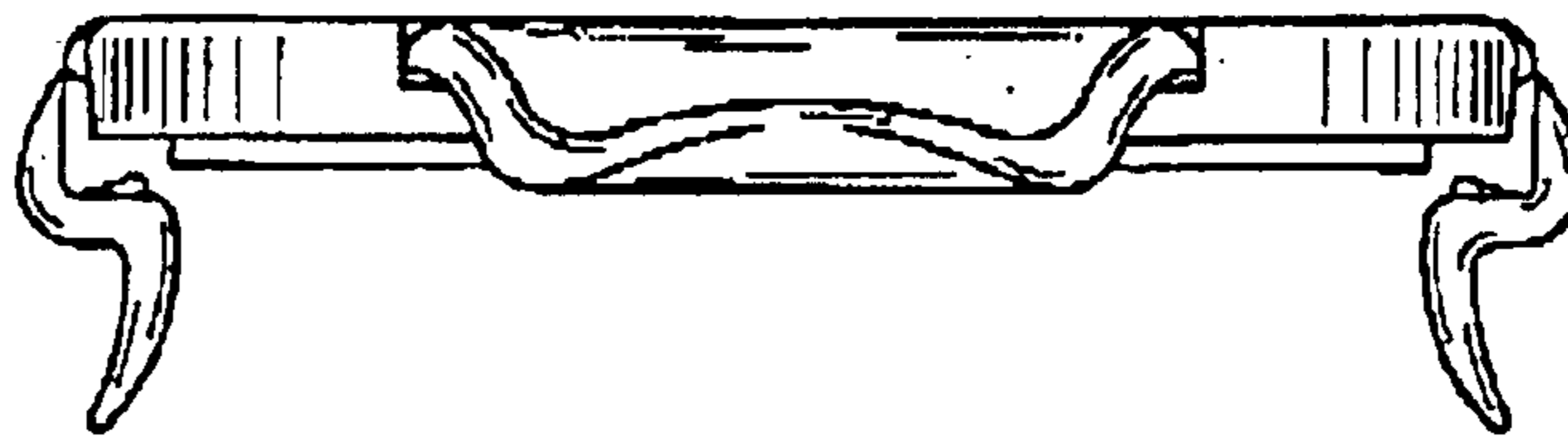


Fig.5

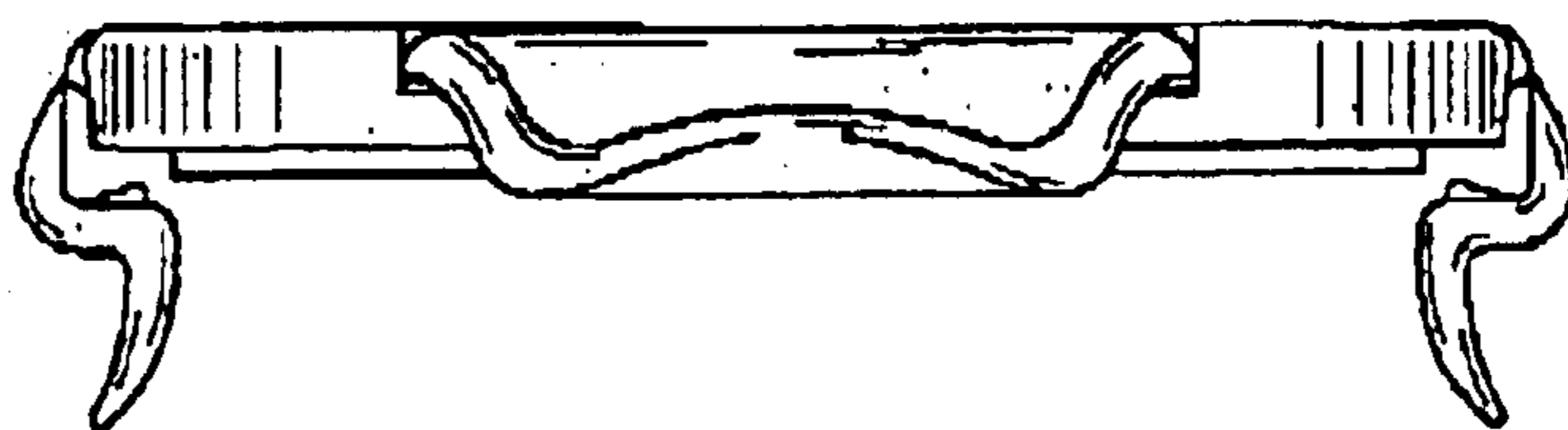


Fig.6

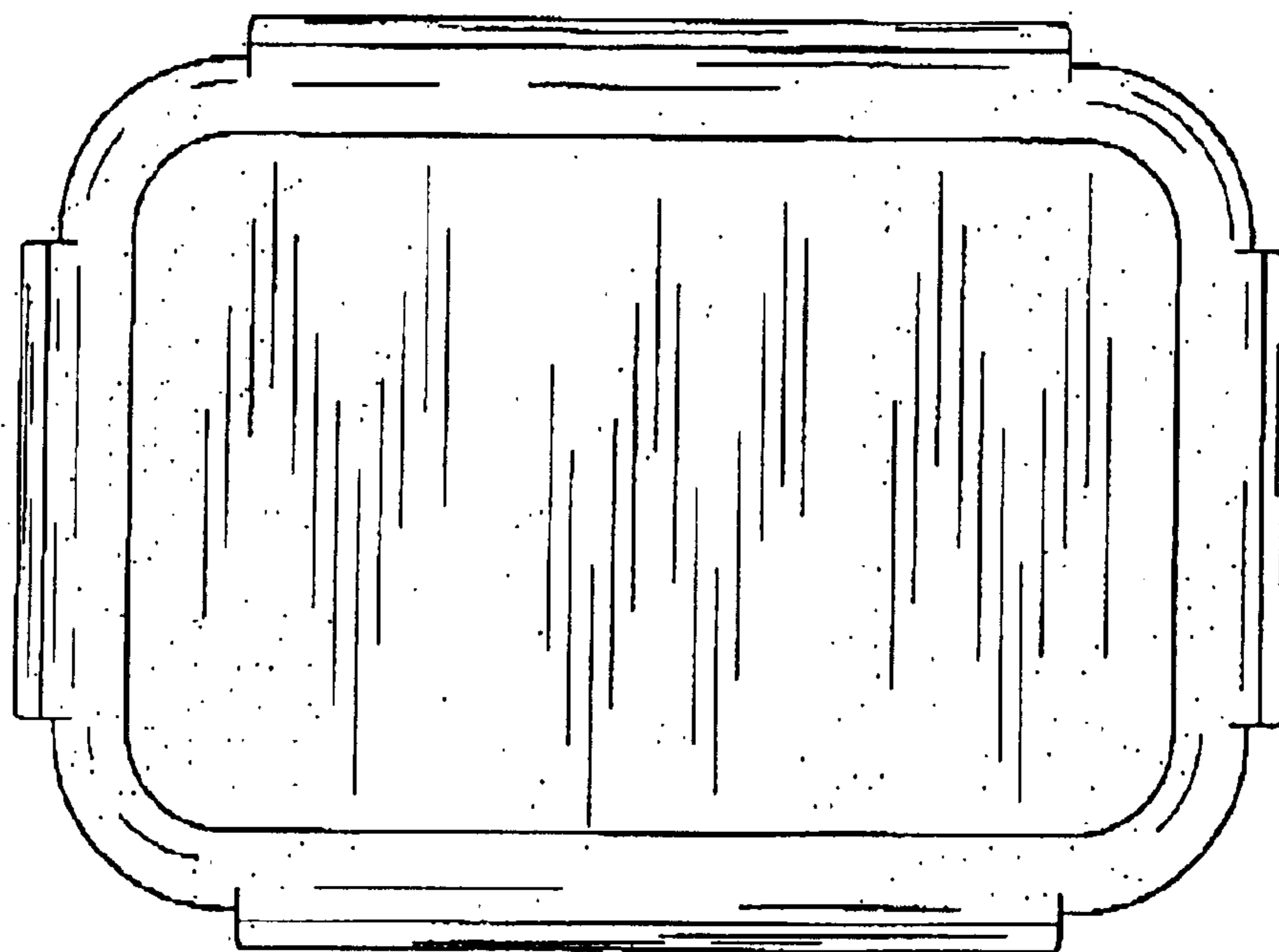


Fig.7

