

US00D500225S

(12) **United States Design Patent**
Suero, Jr.

(10) **Patent No.:** **US D500,225 S**
(45) **Date of Patent:** **** Dec. 28, 2004**

(54) **WIRE SHELF**

4,655,351 A * 4/1987 Walker 211/88.01

(75) **Inventor:** **Jose Suero, Jr., Newark, DE (US)**

* cited by examiner

(73) **Assignee:** **Zenith Products Corp., New Castle, DE (US)**

Primary Examiner—Brian N Vinson

(74) *Attorney, Agent, or Firm*—Edgar A. Zarins; Lloyd D. Doigan

(**) **Term:** **14 Years**

(57) **CLAIM**

(21) **Appl. No.:** **29/200,005**

The ornamental design for a wire shelf, as shown and described.

(22) **Filed:** **Feb. 23, 2004**

DESCRIPTION

(51) **LOC (7) Cl.** **06-04**

(52) **U.S. Cl.** **D6/574**

(58) **Field of Search** D6/553, 567, 572,
D6/574, 511; 108/27, 29; 211/13.1, 32,
86.01, 87.01, 88.01, 90.01, 90.03, 126.1,
134, 181.1

FIG. 1 is a perspective view of a wire shelf showing my new design;

FIG. 2 is a rear elevational view thereof;

FIG. 3 is a front elevational view thereof;

FIG. 4 is a left side view thereof; the opposite side being a mirror image of the side shown;

FIG. 5 is a top plan view thereof; and,

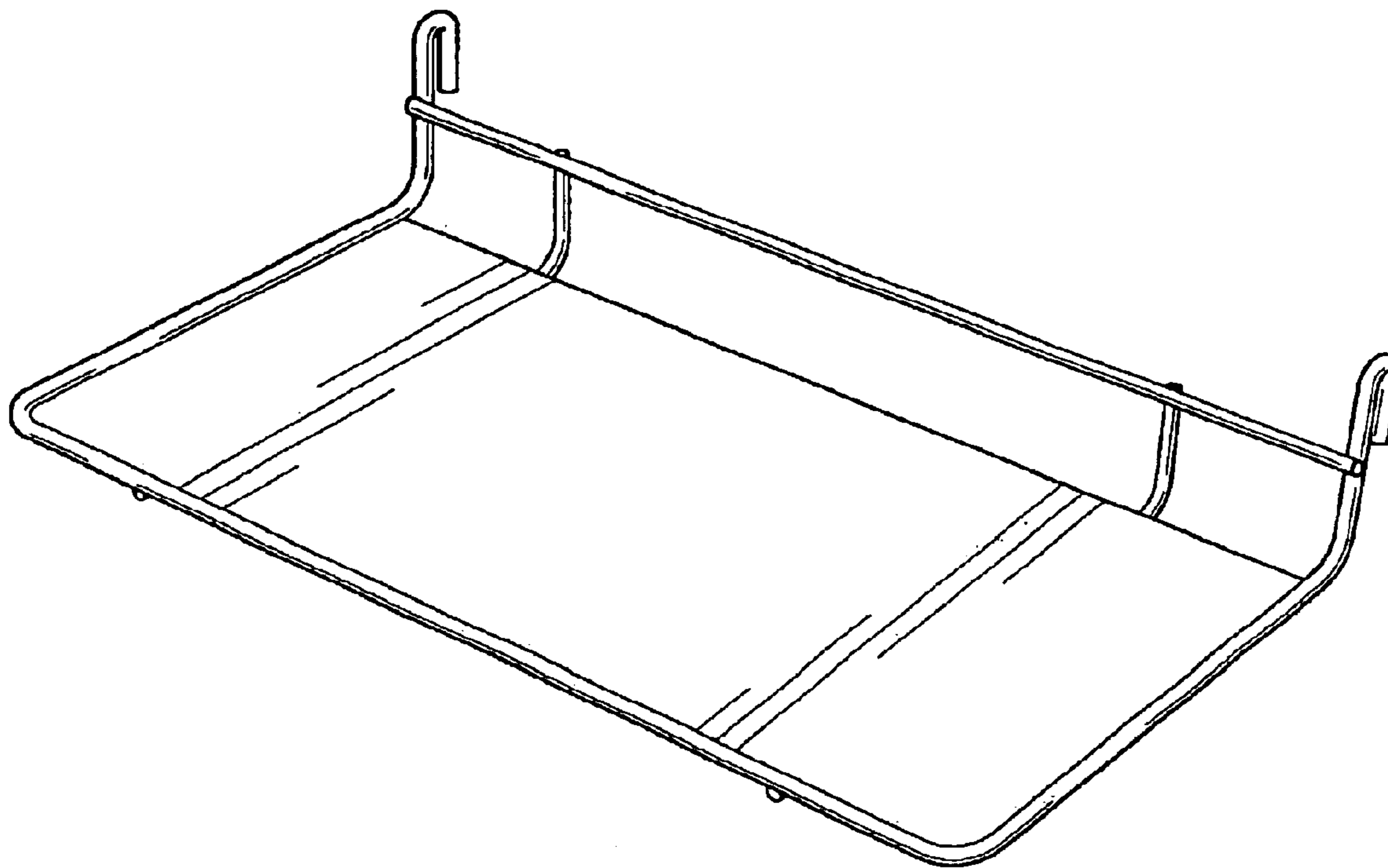
FIG. 6 is a bottom plan view thereof.

(56) **References Cited**

U.S. PATENT DOCUMENTS

D146,280 S * 1/1947 Goddard D6/574

1 Claim, 2 Drawing Sheets



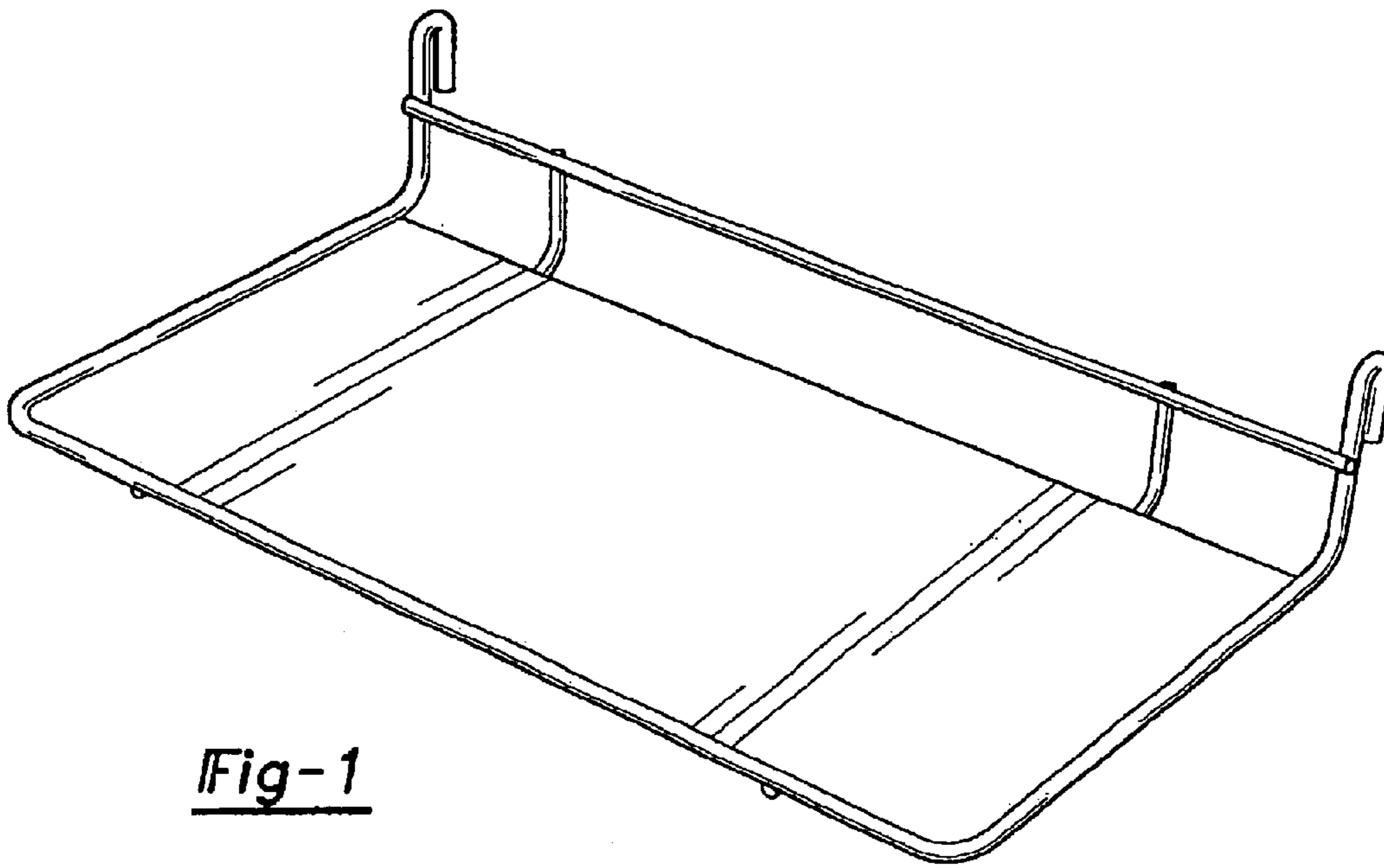


Fig-1

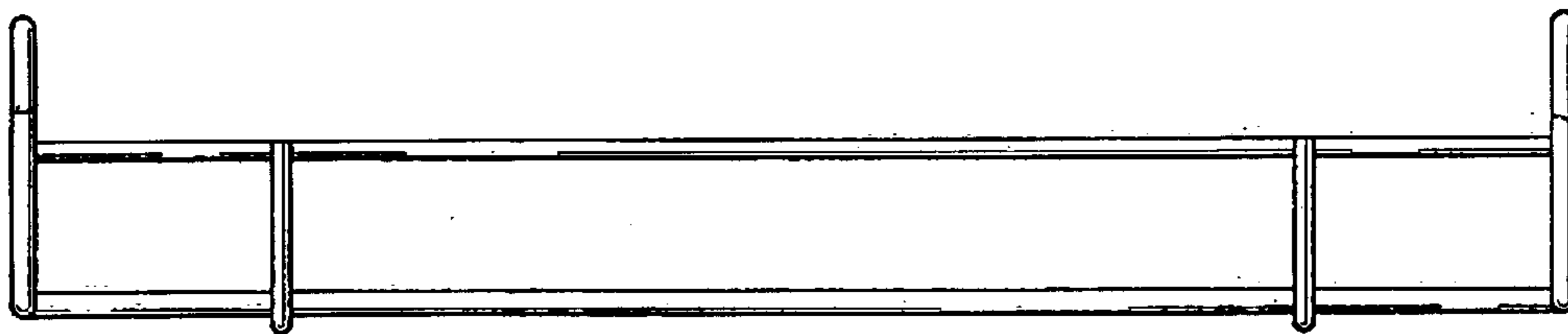


Fig-2

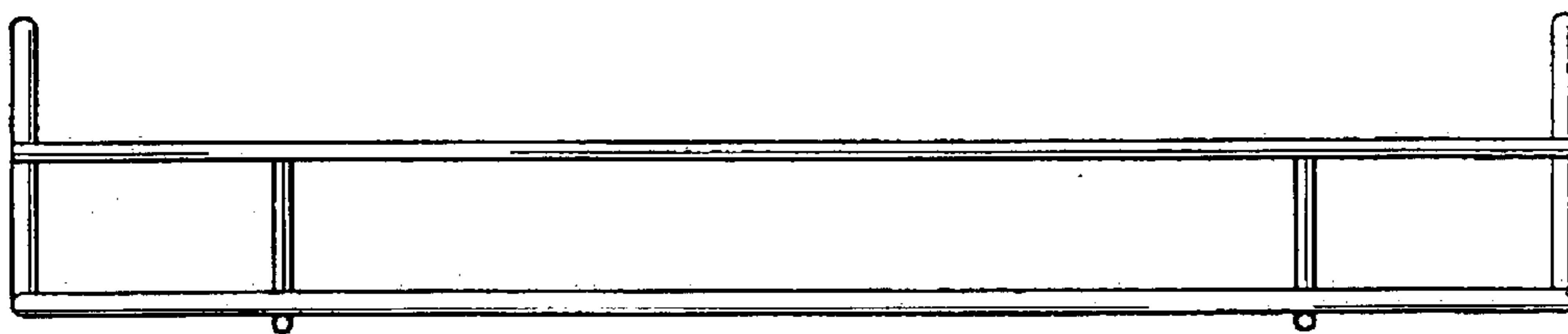


Fig-3

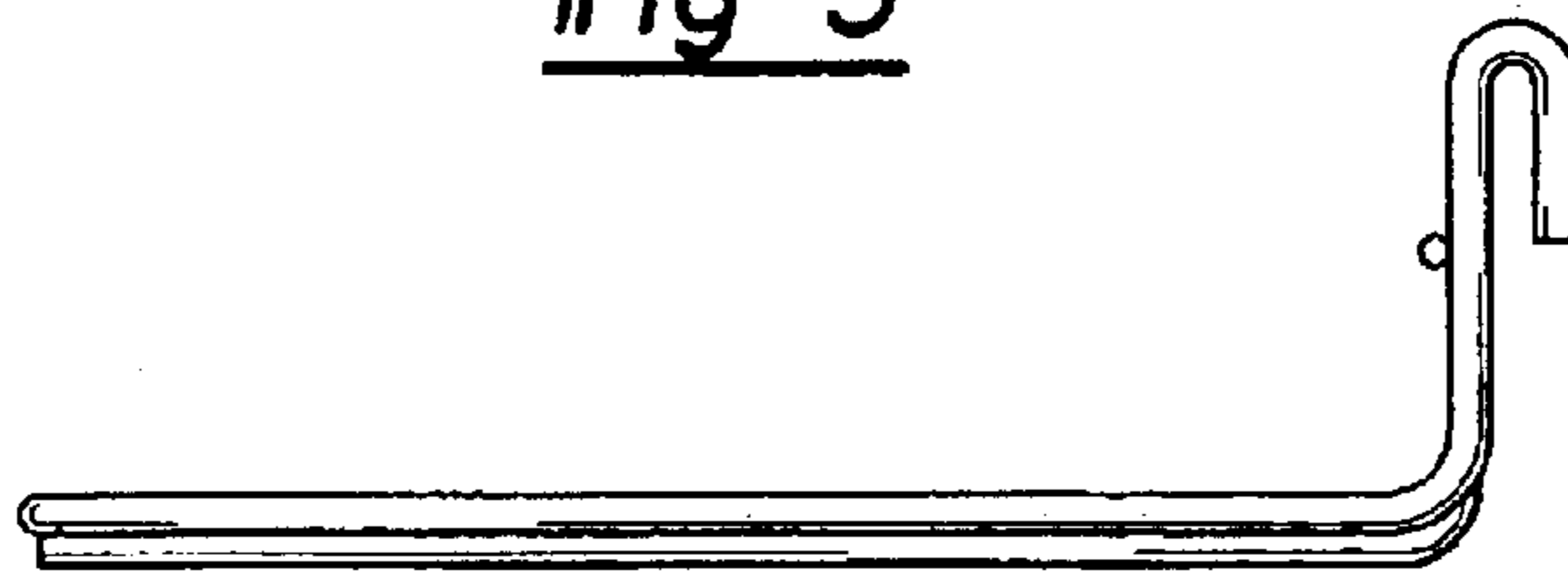


Fig-4

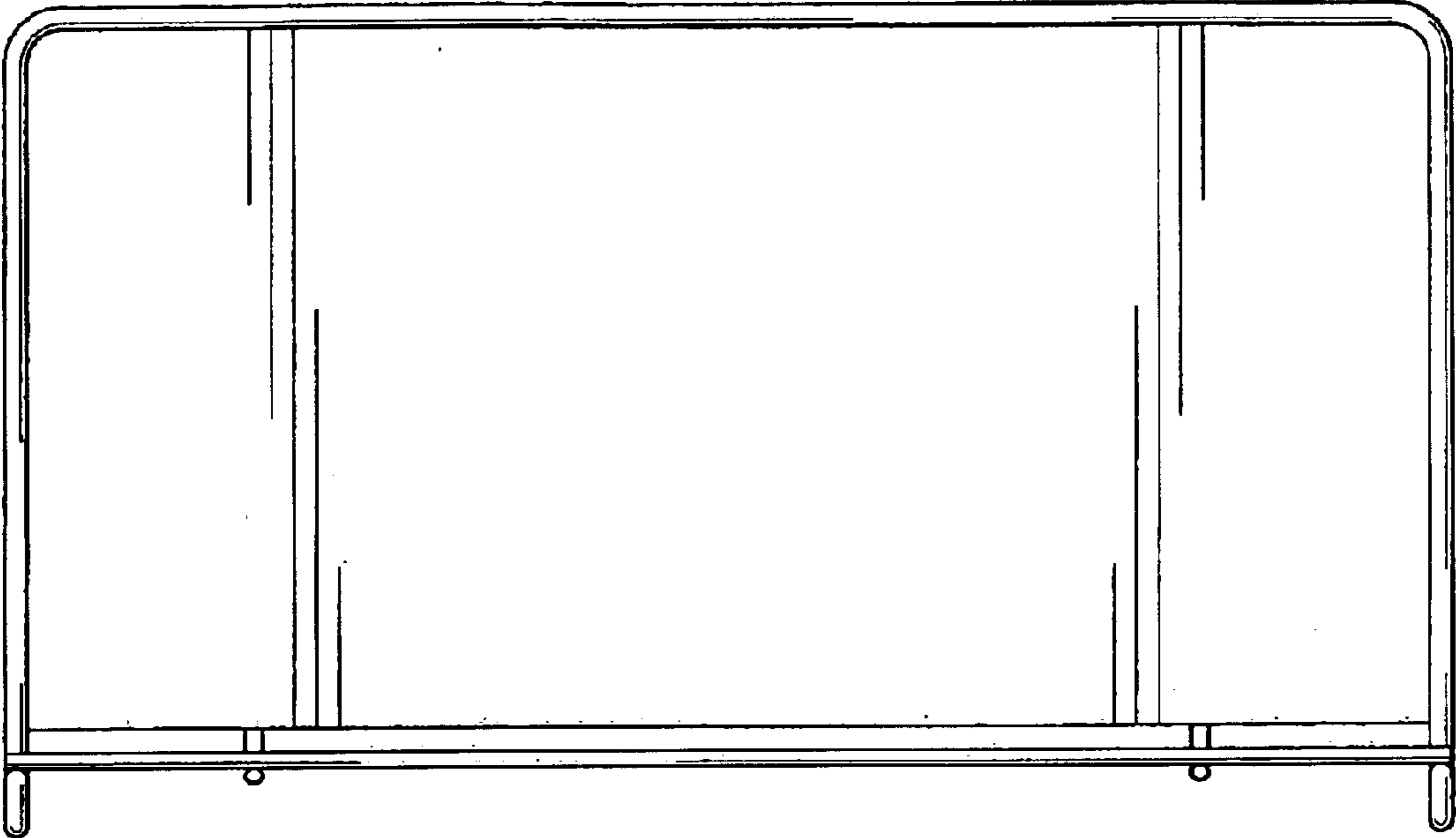


Fig-5

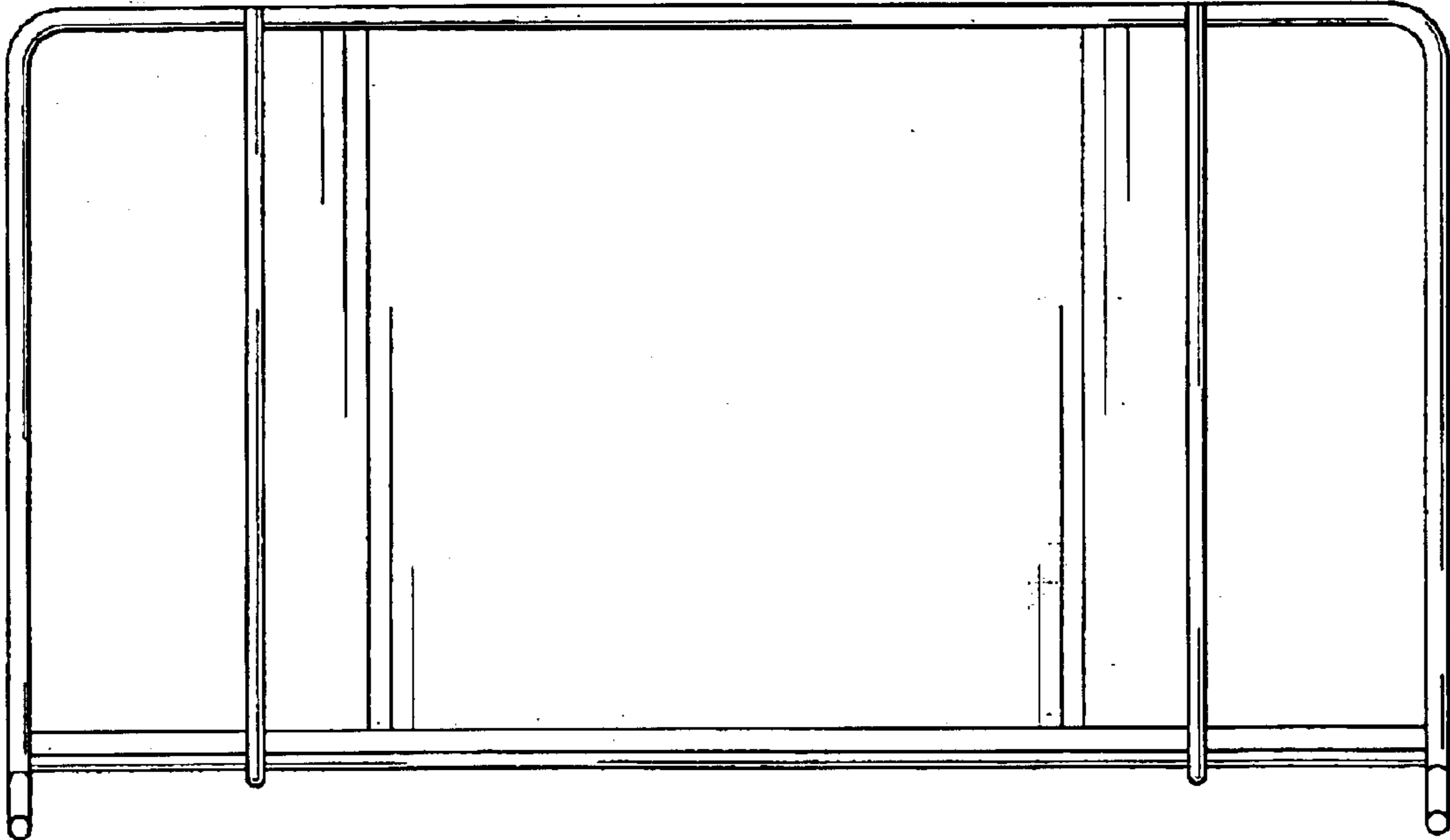


Fig-6