

US00D500215S

(12) **United States Design Patent** (10) **Patent No.:** **US D500,215 S**  
**Winter** (45) **Date of Patent:** **\*\* Dec. 28, 2004**

(54) **UTILITY CABINET**

Ikea Catalog, Varde Serving Table, p. 128, 2003.\*

(75) Inventor: **Paul Winter**, Newark, DE (US)

\* cited by examiner

(73) Assignee: **Zenith Products Corp.**, New Castle, DE (US)

*Primary Examiner*—Cathron Brooks  
(74) *Attorney, Agent, or Firm*—Edgar A. Zarins; Lloyd D. Doigan

(\*\*) Term: **14 Years**

(21) Appl. No.: **29/190,342**

(57) **CLAIM**

(22) Filed: **Sep. 18, 2003**

The ornamental design for a utility cabinet, as shown and described.

(51) **LOC (7) Cl.** ..... **06-04**

(52) **U.S. Cl.** ..... **D6/437; D6/479**

(58) **Field of Search** ..... D6/436, 437, 477-479; D34/12, 17, 19; 211/74, 90; 108/59

**DESCRIPTION**

(56) **References Cited**

FIG. 1 is a perspective view of a utility cabinet showing my new design;

**U.S. PATENT DOCUMENTS**

FIG. 2 is a front elevational view thereof;

D230,800 S	*	3/1974	Peterson	.....	D6/436
D251,527 S	*	4/1979	Tome	.....	D6/428
D254,281 S	*	2/1980	Kayfes	.....	D6/436
D430,752 S	*	9/2000	Hazen et al.	.....	D6/437

FIG. 3 is a right side view thereof;

FIG. 4 is a top plan view thereof; and,

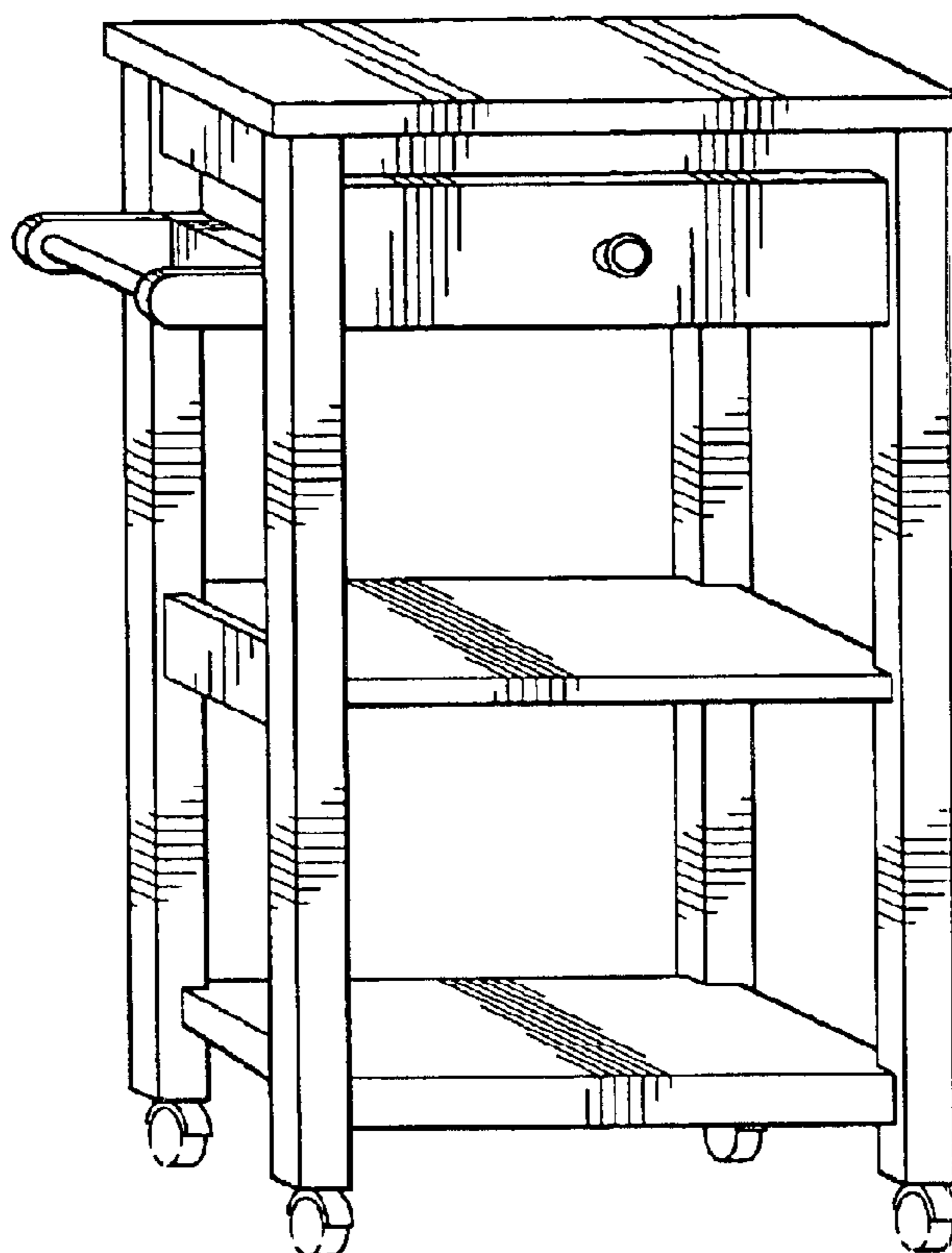
FIG. 5 is a bottom plan view thereof.

**OTHER PUBLICATIONS**

The broken lines are for illustrative purposes only and form no part of the claimed design.

Ikea Catalog (Kitchen), Forhoja Shelf w/ drawers, p. 34, 2002.\*

**1 Claim, 2 Drawing Sheets**



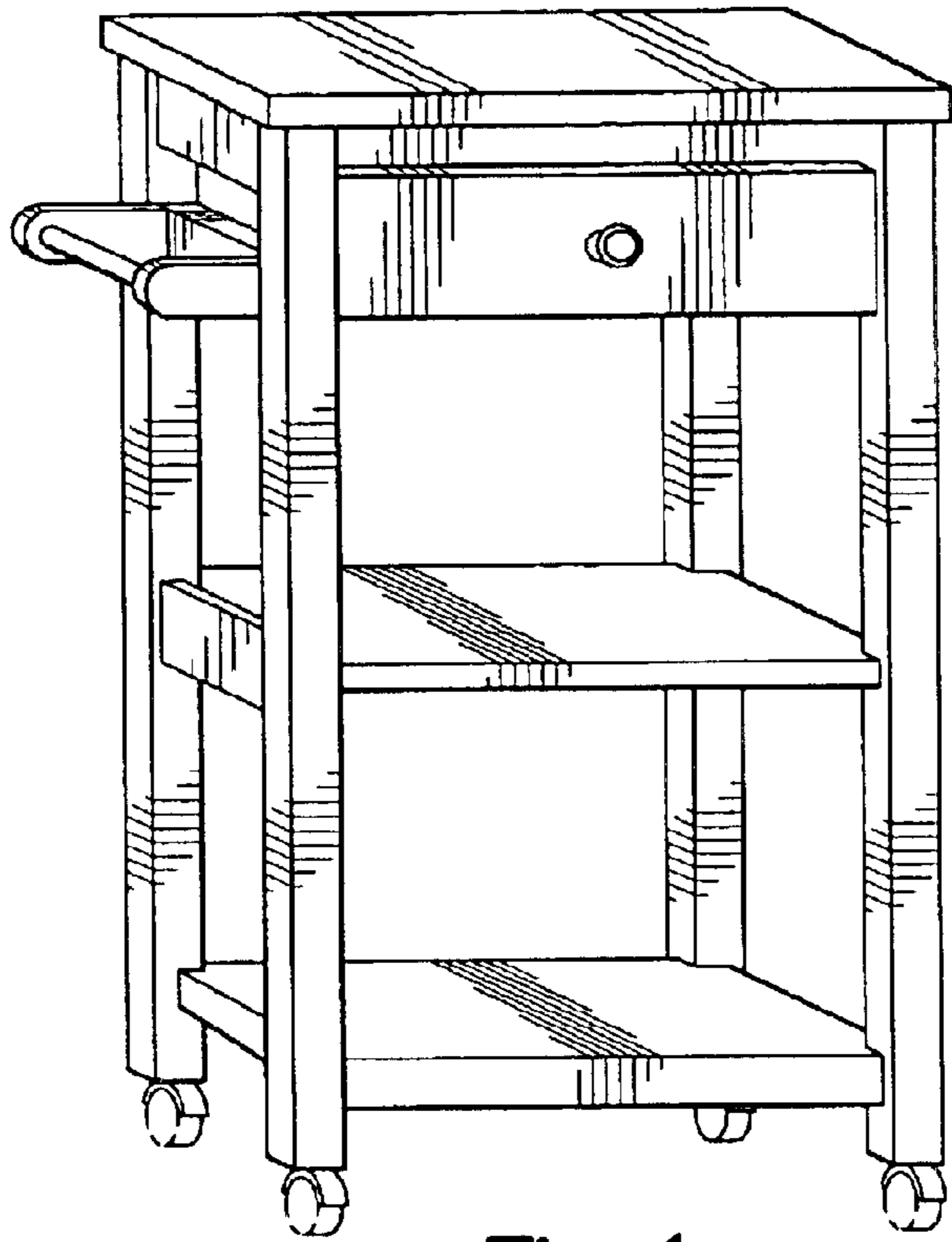


Fig-1

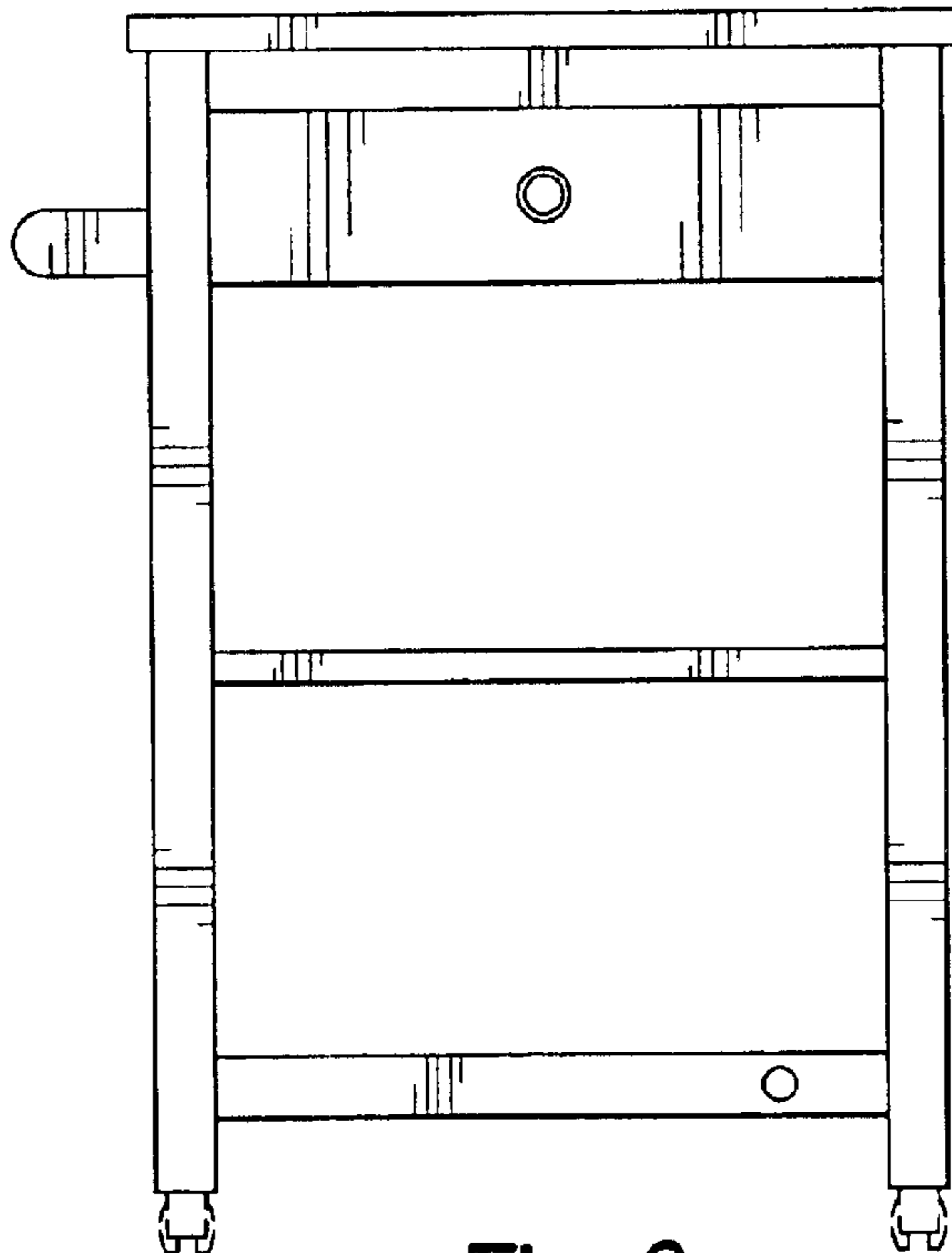


Fig-2

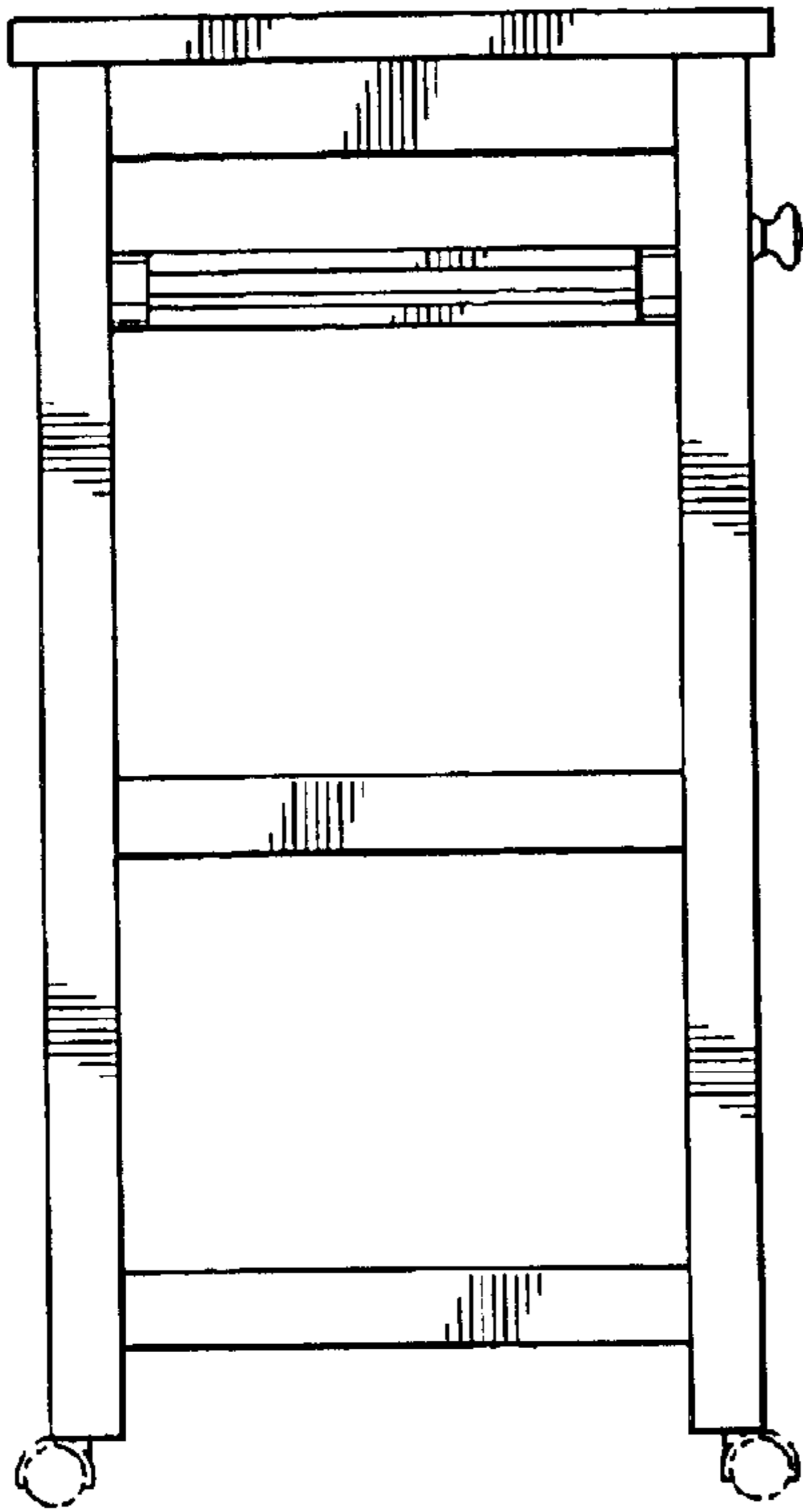


Fig-3

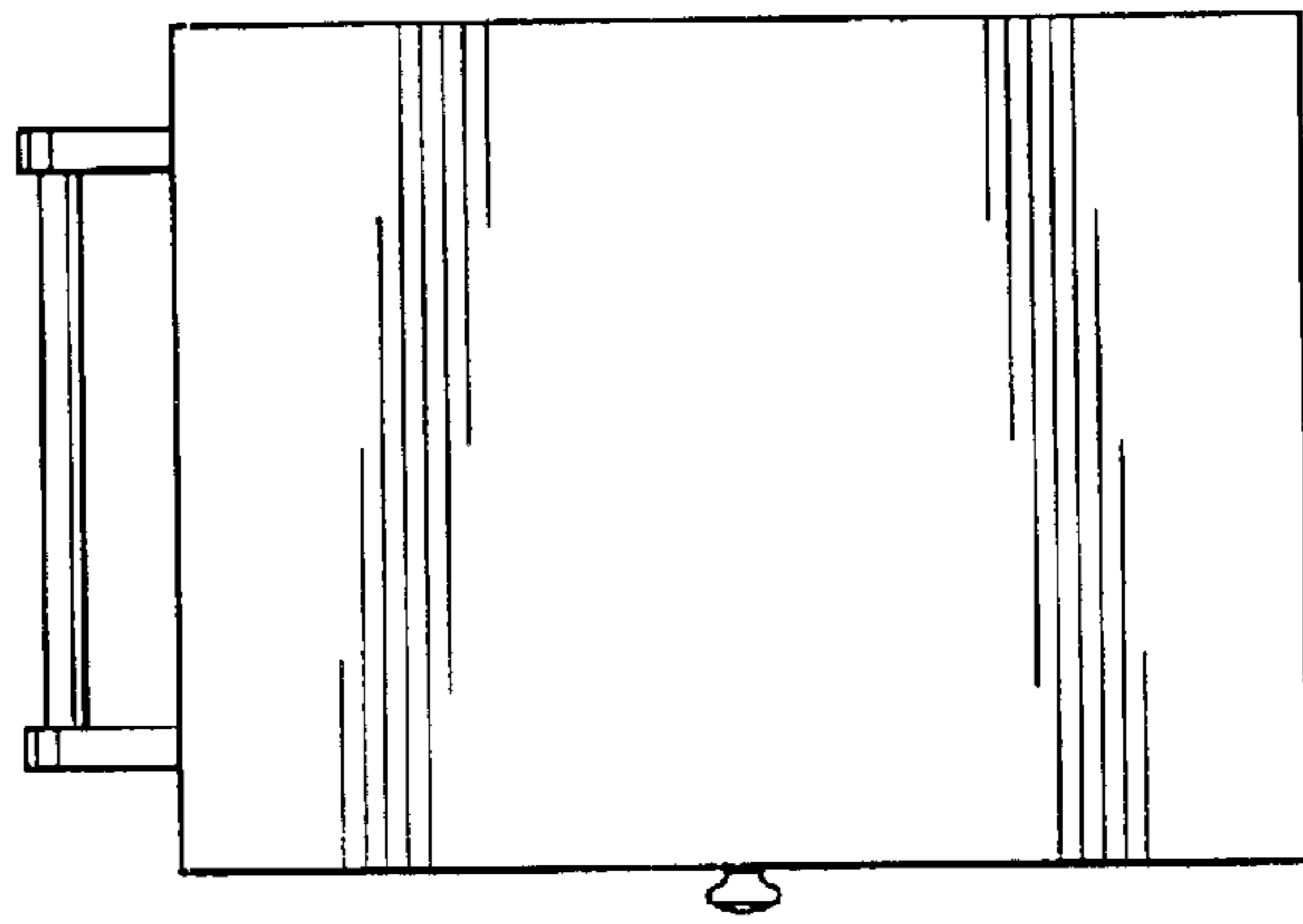


Fig-4

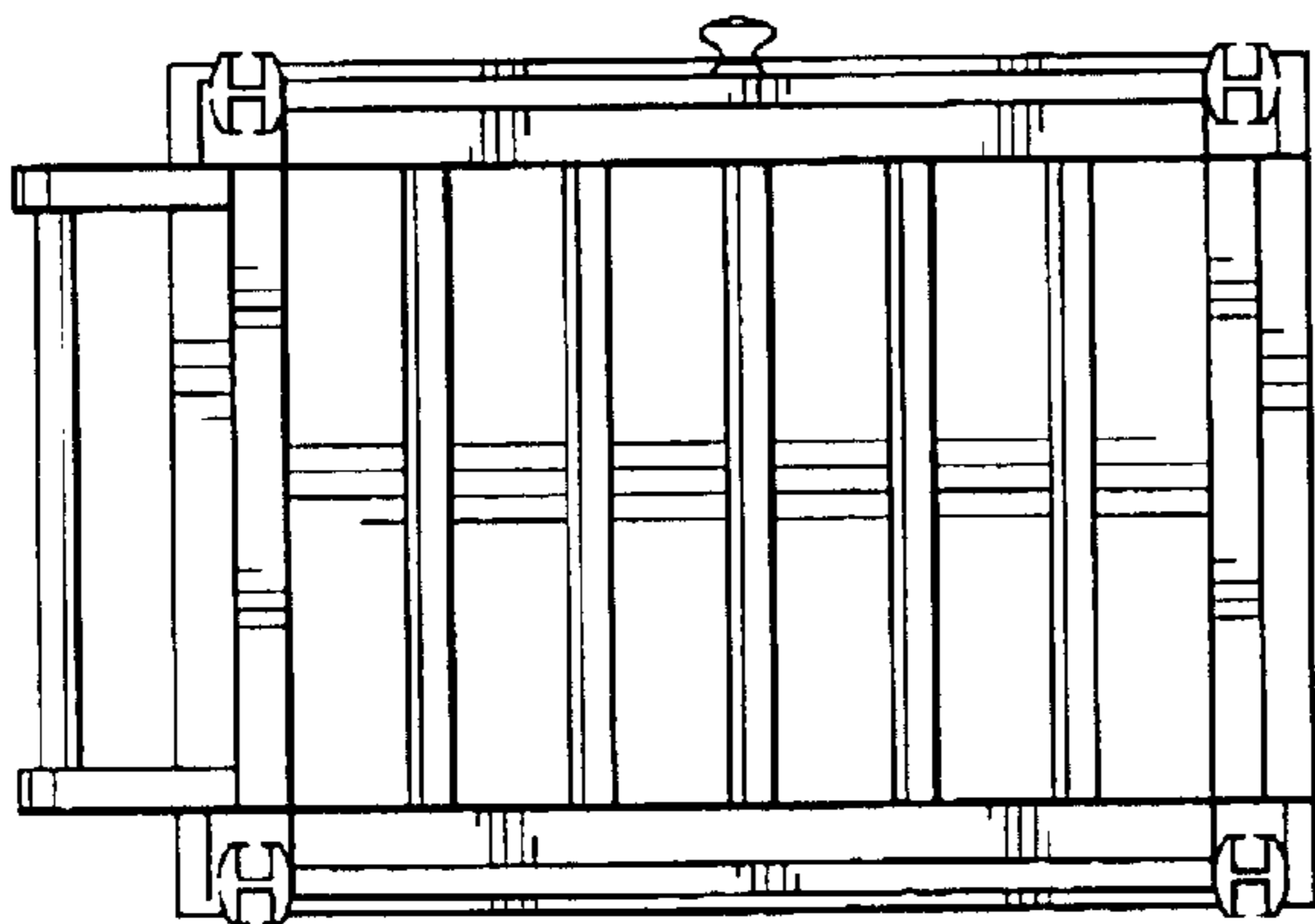


Fig-5