

US00D500214S

(12) **United States Design Patent**
Chang

(10) **Patent No.:** **US D500,214 S**

(45) **Date of Patent:** **** Dec. 28, 2004**

(54) **COMPUTER TABLE**

D474,921 S * 5/2003 Chen D6/426
D487,852 S * 3/2004 Chang D6/426

(76) **Inventor:** **Chien-Kuo Chang**, 10-2 No. 447, 3
Sec. Wen-Hsin Rd., Taichung City (TW)

* cited by examiner

(**) **Term:** **14 Years**

Primary Examiner—Janice E. Seeger
(74) *Attorney, Agent, or Firm*—Charles E. Baxley

(21) **Appl. No.:** **29/198,840**

(57) **CLAIM**

(22) **Filed:** **Feb. 4, 2004**

The ornamental design for computer table, as shown and described.

(51) **LOC (7) Cl.** **06-04**

(52) **U.S. Cl.** **D6/426**

(58) **Field of Search** D6/422–428, 474,
D6/479; 312/194–196, 208.1, 208.4; 108/50.01,
50.02, 91, 92

DESCRIPTION

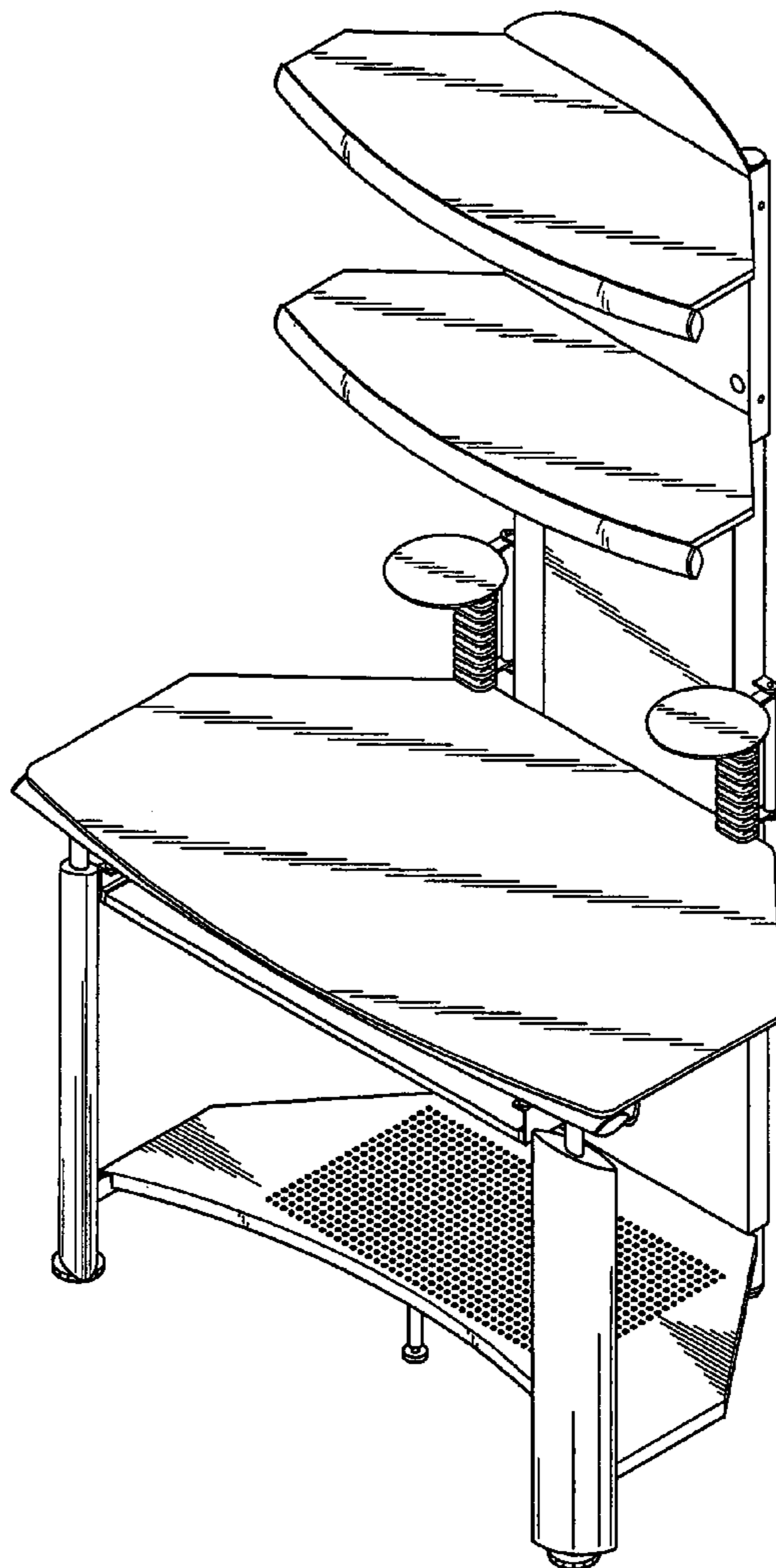
FIG. 1 is a perspective view of a computer table showing our new design thereof;
FIG. 2 is a front elevational view thereof;
FIG. 3 is a rear elevational view thereof;
FIG. 4 is a left side elevational view thereof;
FIG. 5 is a right side elevational view thereof;
FIG. 6 is a top plan view thereof; and,
FIG. 7 is a bottom plan view thereof.

(56) **References Cited**

U.S. PATENT DOCUMENTS

D371,703 S * 7/1996 Muller-Deisig et al. D6/484
D456,633 S * 5/2002 Chang D6/426
D459,110 S * 6/2002 Chang D6/426
D464,213 S * 10/2002 Chang D6/426

1 Claim, 6 Drawing Sheets



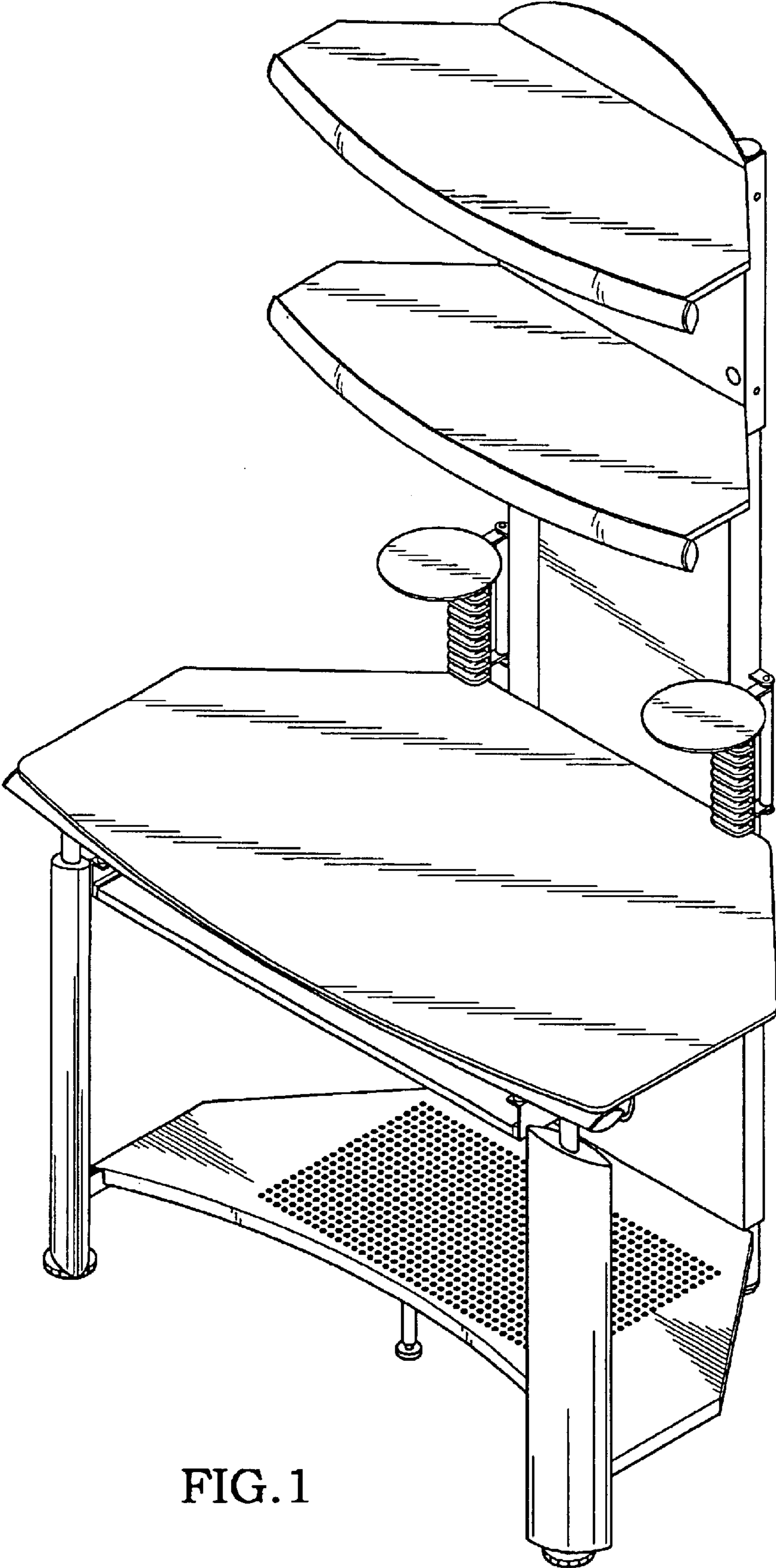


FIG. 1

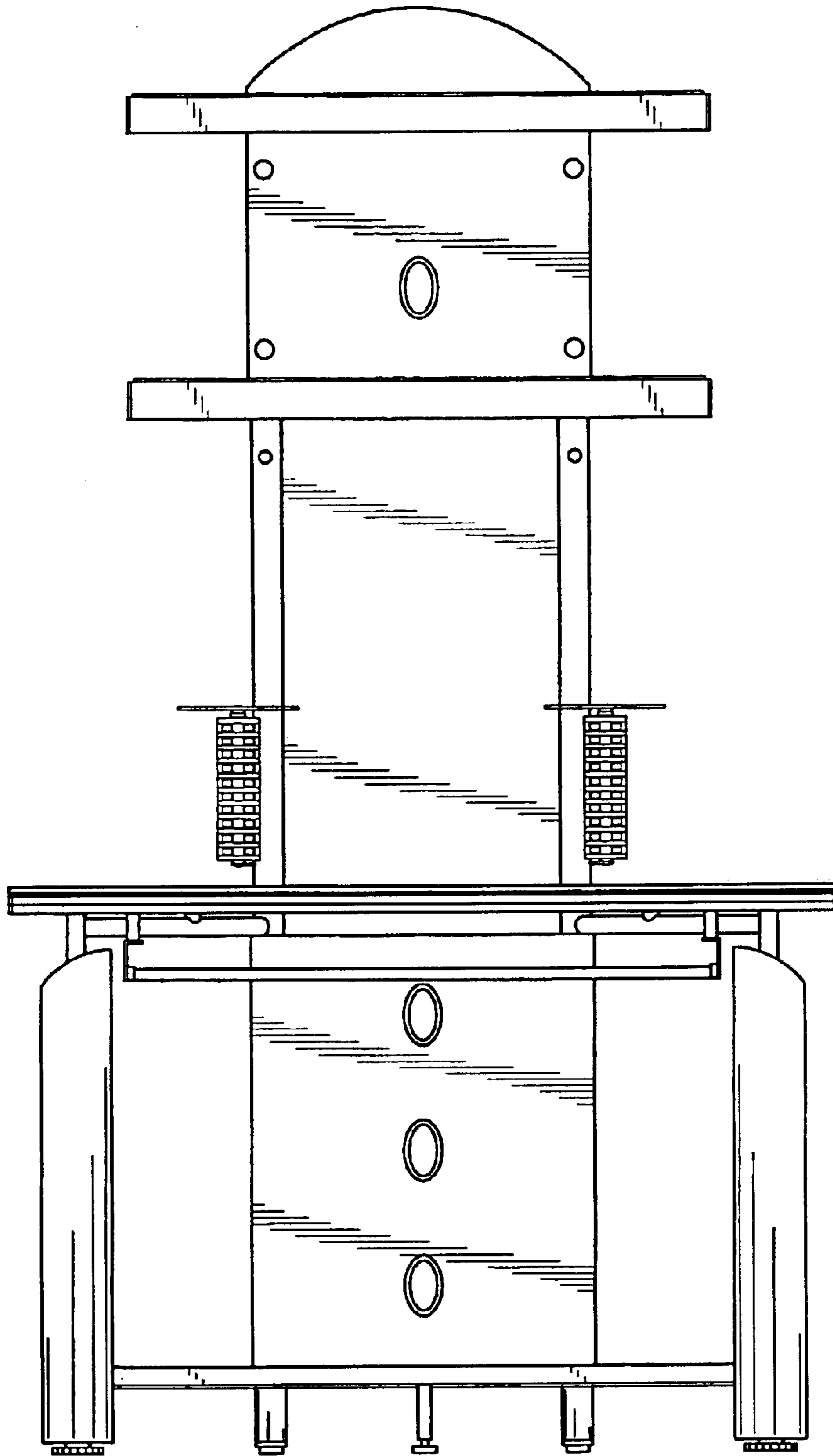


FIG. 2

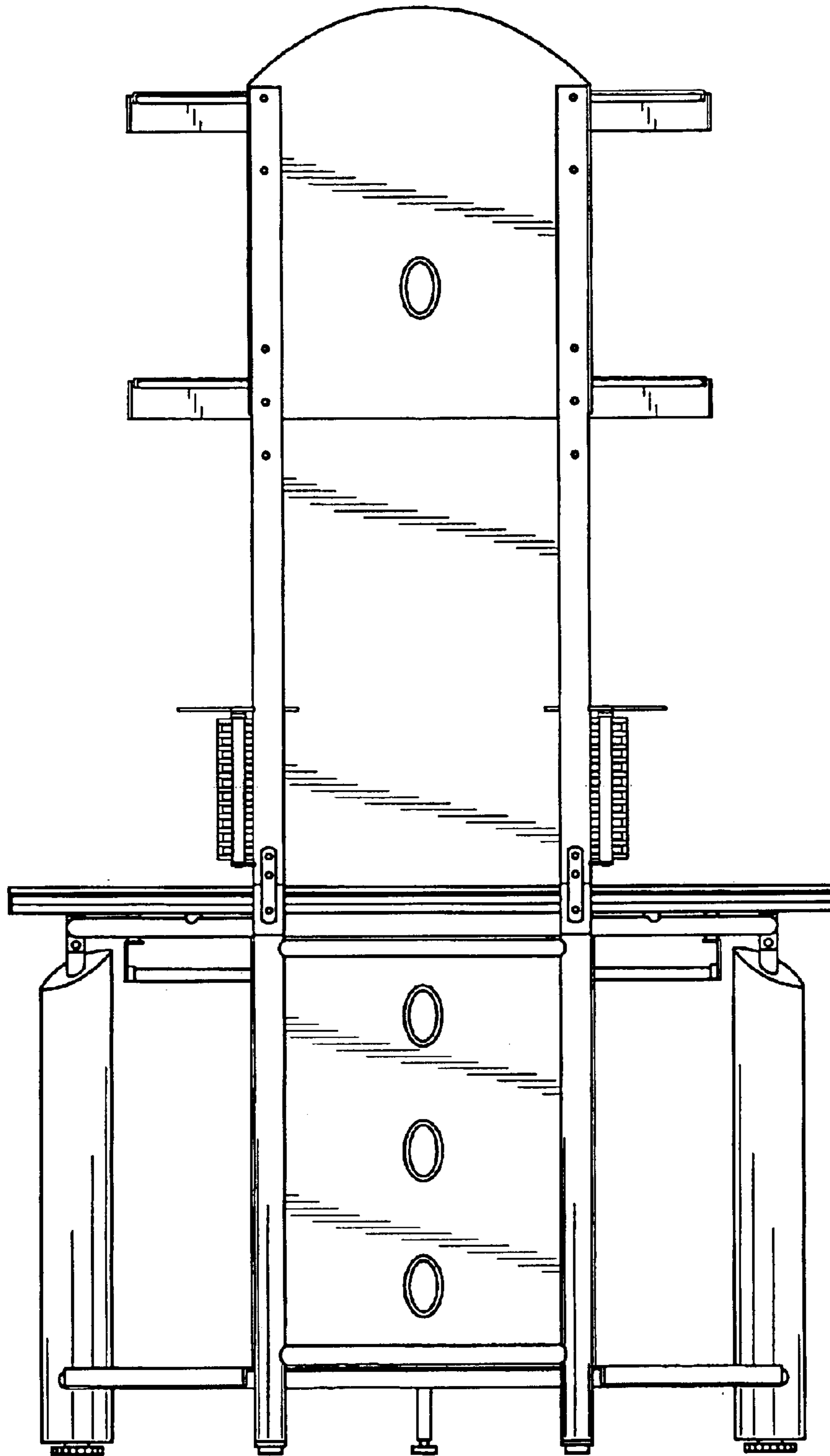


FIG.3

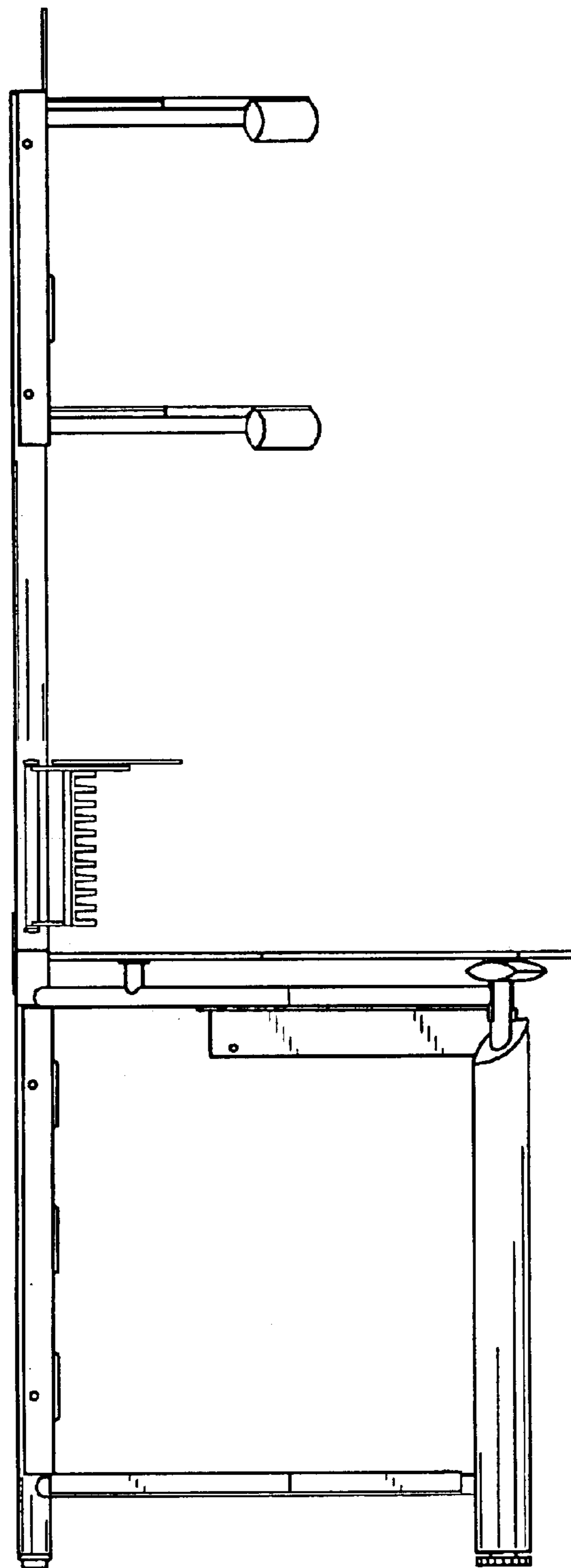


FIG.4

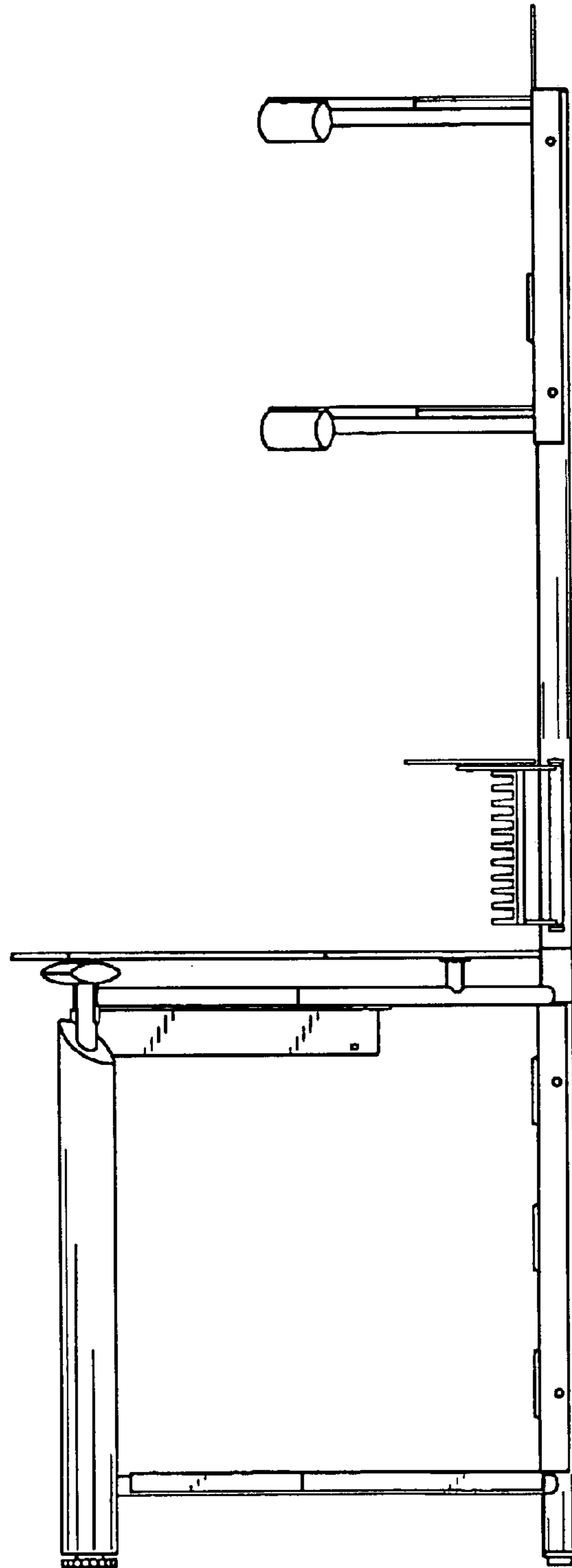


FIG. 5

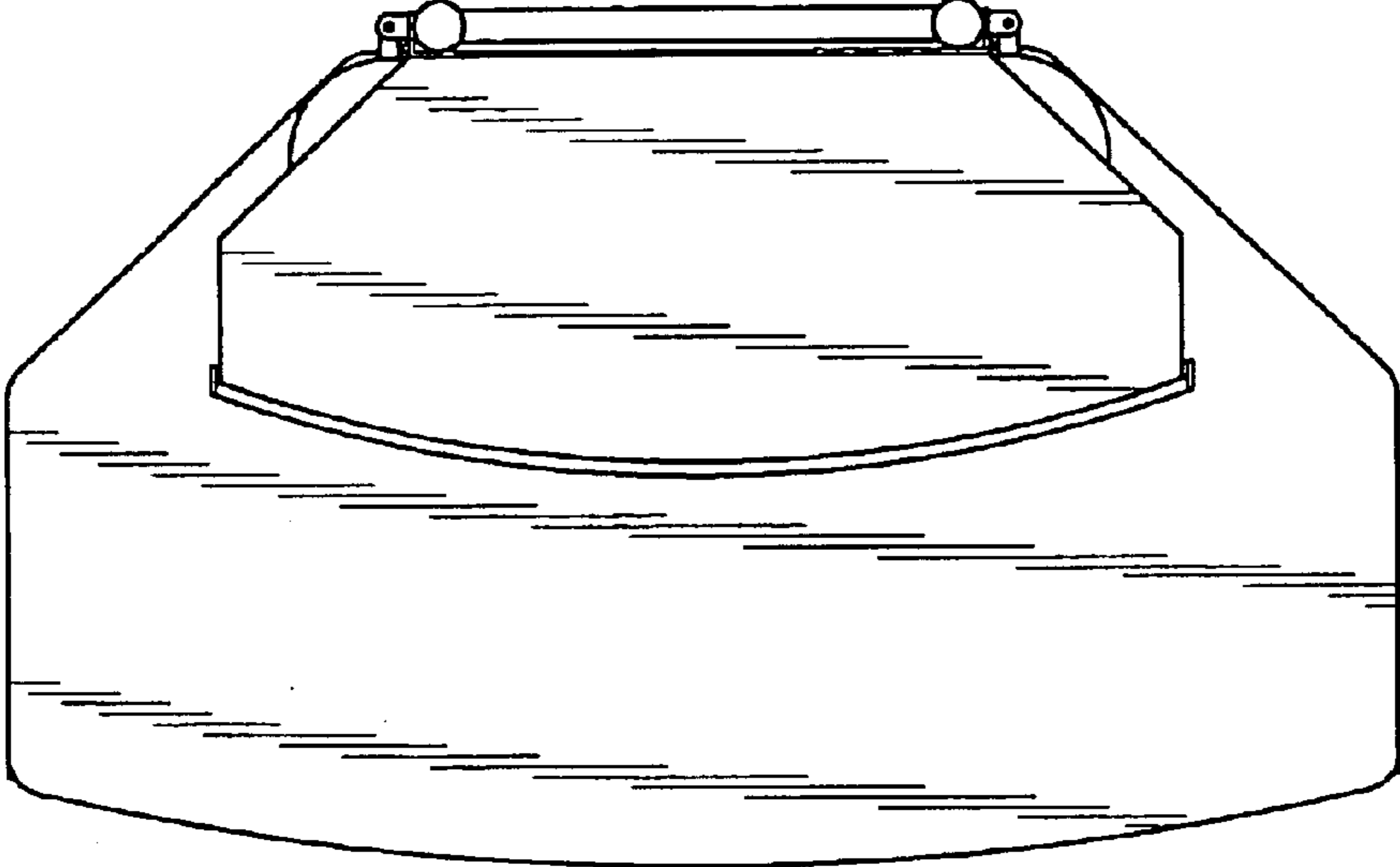


FIG. 6

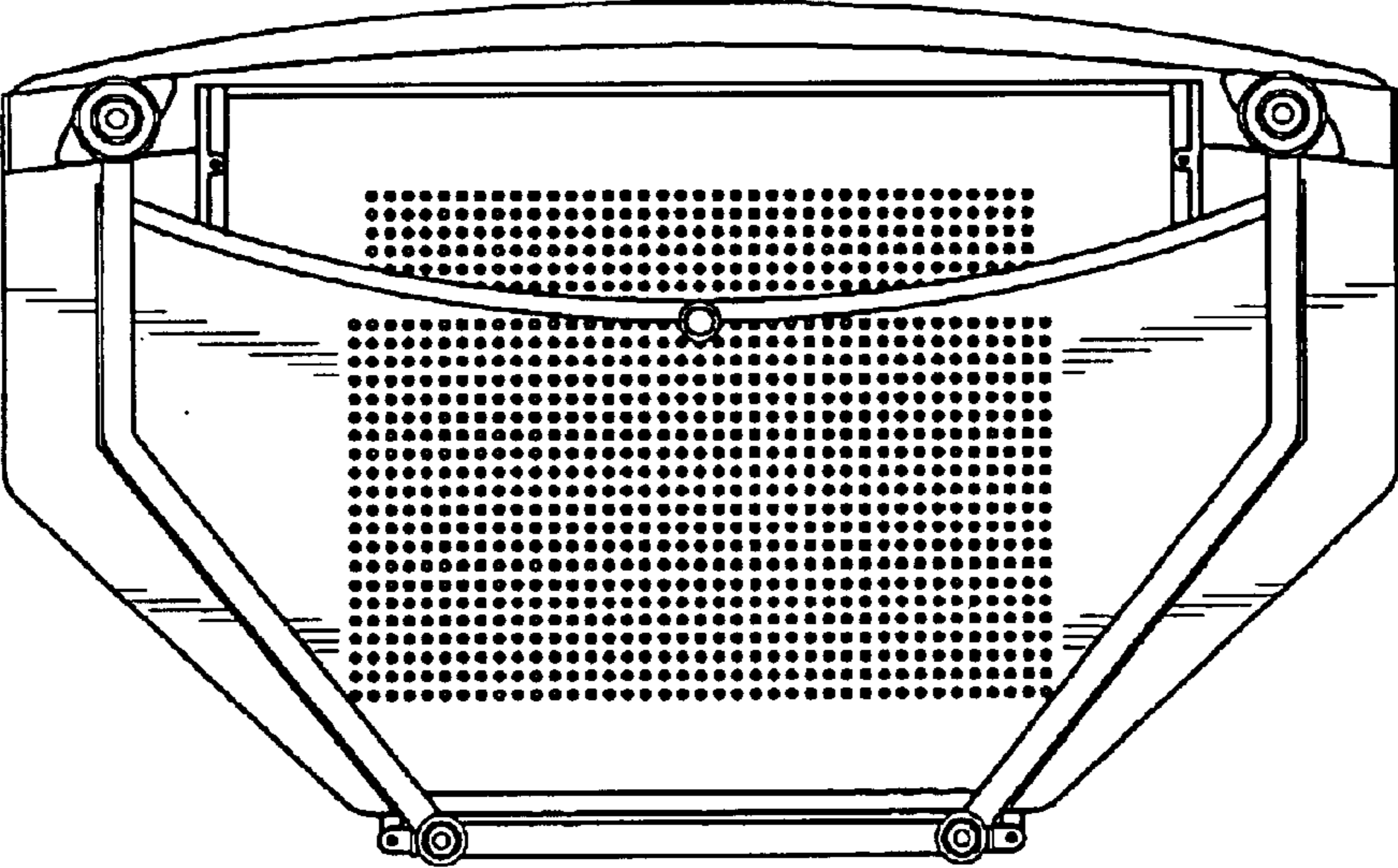


FIG. 7