

US00D500204S

(12) **United States Design Patent**
Hillman

(10) **Patent No.:** **US D500,204 S**

(45) **Date of Patent:** **** Dec. 28, 2004**

(54) **NOTEBOOK COMPUTER CASE**

(75) **Inventor:** **Jack L. Hillman**, Colorado Springs,
CO (US)

(73) **Assignee:** **Case Logic, Inc.**, Longmont, CO (US)

(**) **Term:** **14 Years**

(21) **Appl. No.:** **29/193,140**

(22) **Filed:** **Nov. 3, 2003**

(51) **LOC (7) Cl.** **03-01**

(52) **U.S. Cl.** **D3/301; D3/900**

(58) **Field of Search** D3/272, 273, 276,
D3/281, 287, 288, 289, 294, 299, 300,
303, 900; 190/100, 110, 111, 112, 113;
206/320, 301

(56) **References Cited**

U.S. PATENT DOCUMENTS

D338,104 S	*	8/1993	Lee	D3/287
D346,901 S	*	5/1994	Dulka et al.	D3/289
D358,483 S	*	5/1995	Cross et al.	D3/276
D358,935 S	*	6/1995	Chang et al.	D3/289
D380,612 S	*	7/1997	Kelley et al.	D3/289
5,884,768 A	*	3/1999	Fox	206/522
D409,385 S	*	5/1999	Pearson et al.	D3/301
D414,935 S	*	10/1999	Bould	D3/301
D435,591 S	*	12/2000	Wyant	D19/27
D445,252 S	*	7/2001	Klamm	D3/289
D458,749 S	*	6/2002	Bruni et al.	D3/289
D459,884 S	*	7/2002	King	D3/276
2004/0099496 A1	*	5/2004	Hollingsworth	190/111

OTHER PUBLICATIONS

“Case Connect” Brochure; Case Connect: *A Division of Case Logic*; 1997; pp. 4–5.

“Case Logic Essential Equipment” Catalog; *Case Logic*; 2001; p. 23.

“Case Logic” Catalog; 2002; p. 19.

“Case Logic” Catalog; 2003; pp. 10–11.

* cited by examiner

Primary Examiner—Philip S. Hyder

(74) *Attorney, Agent, or Firm*—Sheridan Ross P.C.

(57) **CLAIM**

The ornamental design for a notebook computer case, as shown and described.

DESCRIPTION

FIG. 1 is a front perspective view of a notebook computer case showing my new design;

FIG. 2 is a front elevation view of the invention illustrated in FIG. 1;

FIG. 3 is a left elevation view of the invention illustrated in FIG. 1;

FIG. 4 is a top plan view of the invention illustrated in FIG. 1;

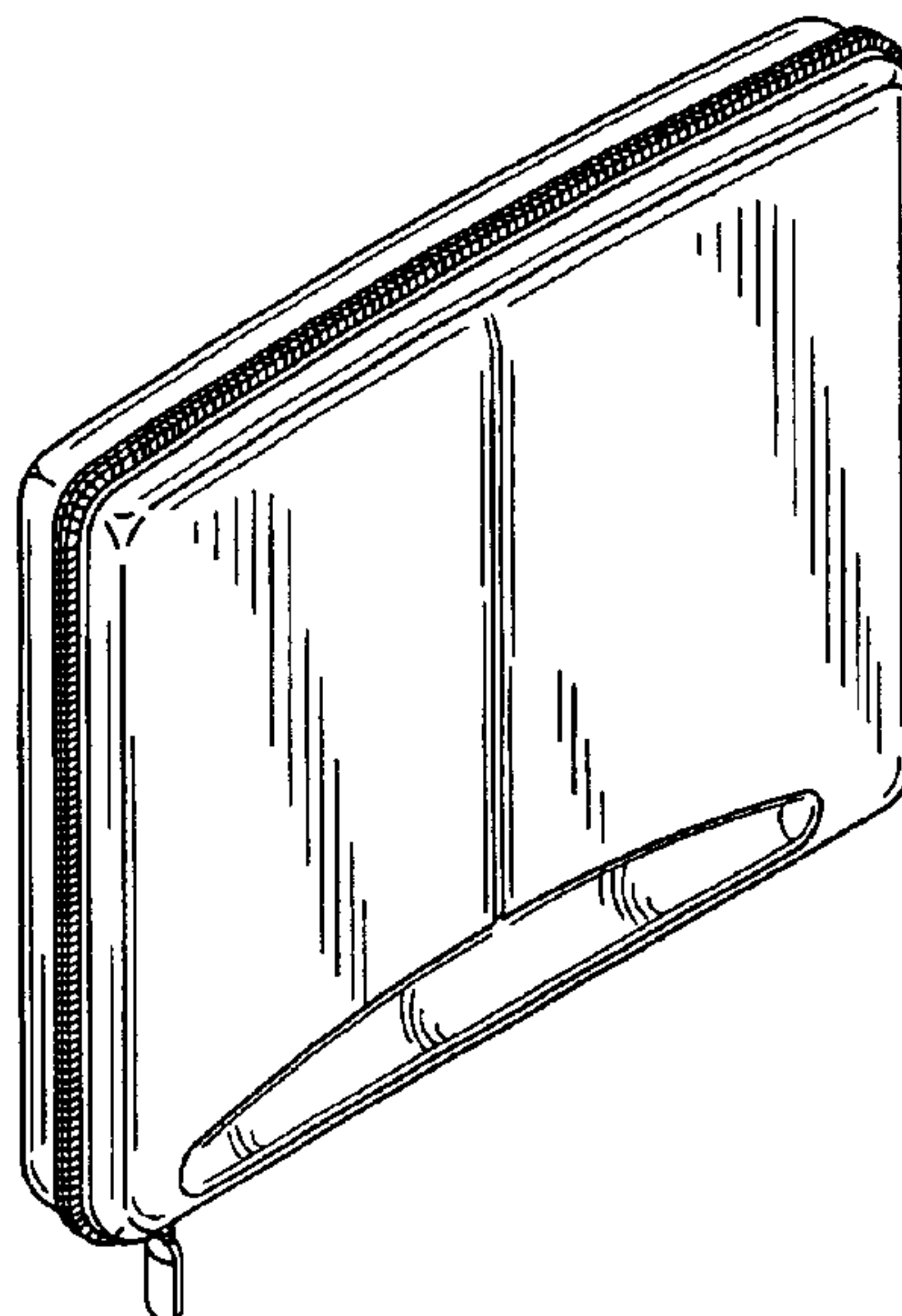
FIG. 5 is a rear elevation view of the invention illustrated in FIG. 1;

FIG. 6 is a bottom plan view of the invention illustrated in FIG. 1;

FIG. 7 is a right elevation view of the invention illustrated in FIG. 1; and,

FIG. 8 is a front perspective view of the invention shown in FIG. 1, in an open position, the broken lines representing environment and forming no part of the claimed design.

1 Claim, 3 Drawing Sheets



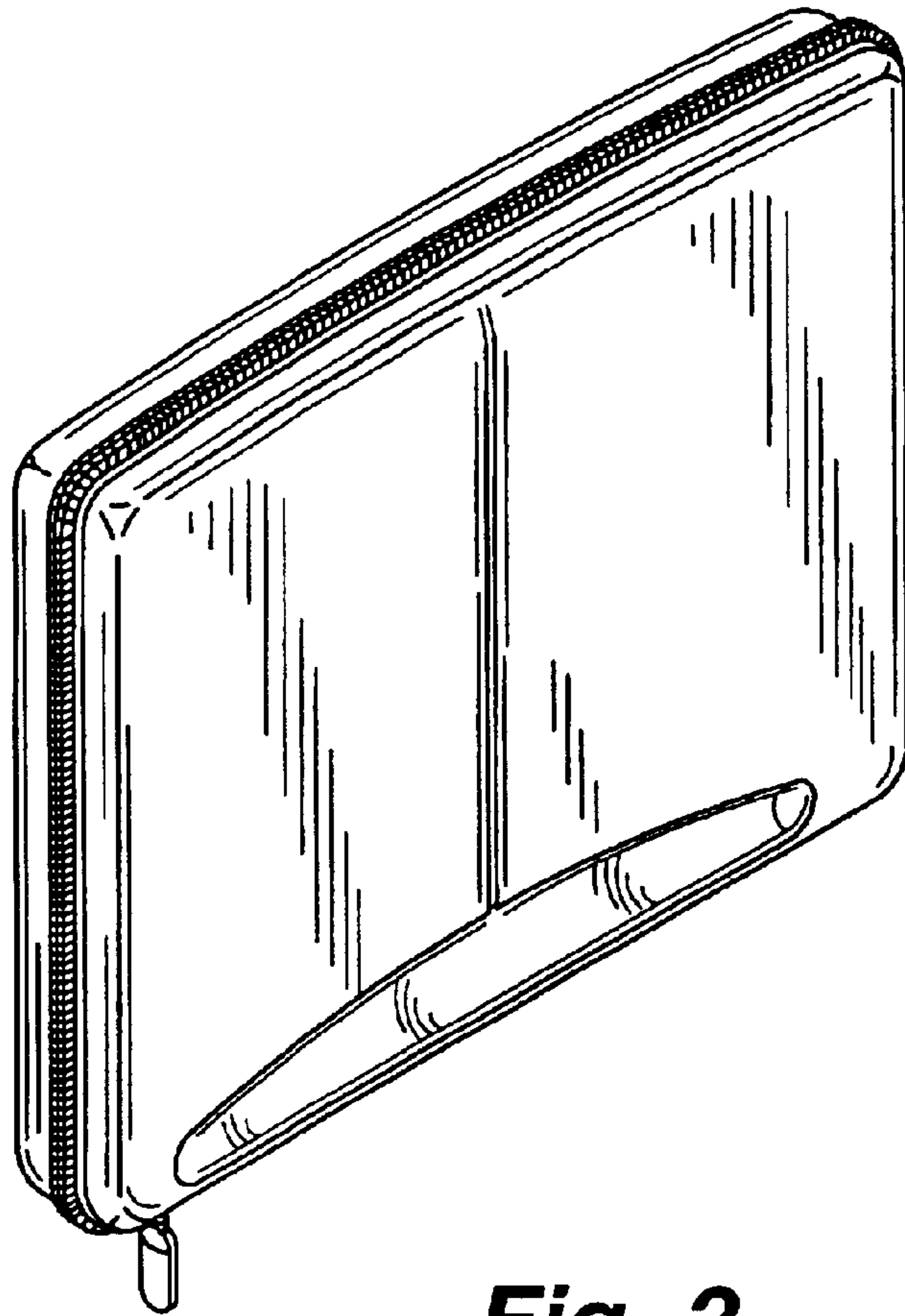


Fig. 1

Fig. 2

Fig. 3

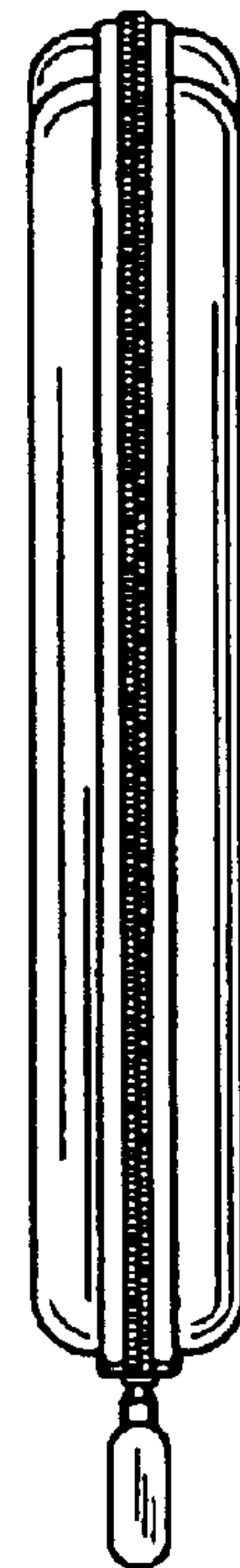
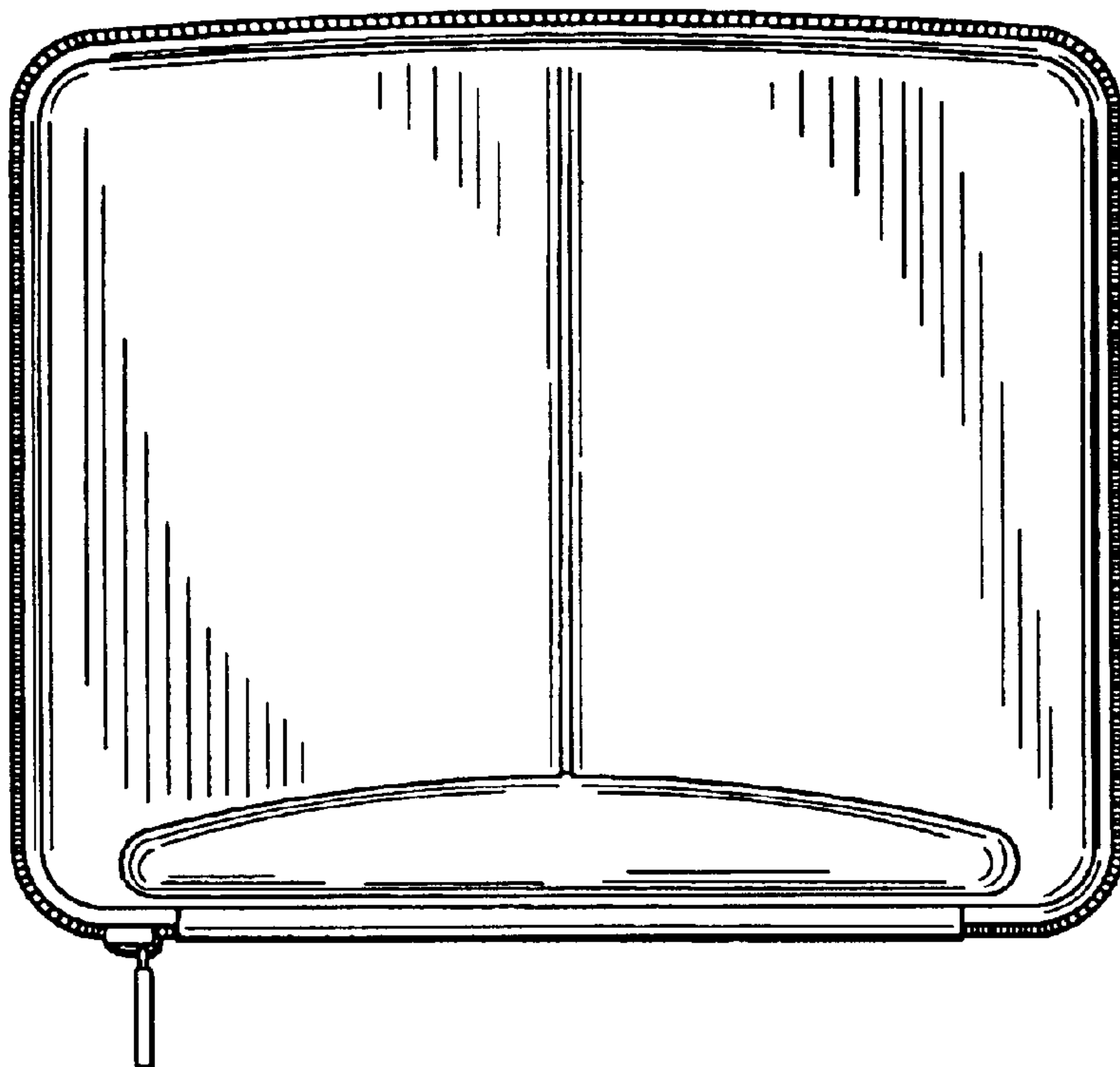


Fig. 4

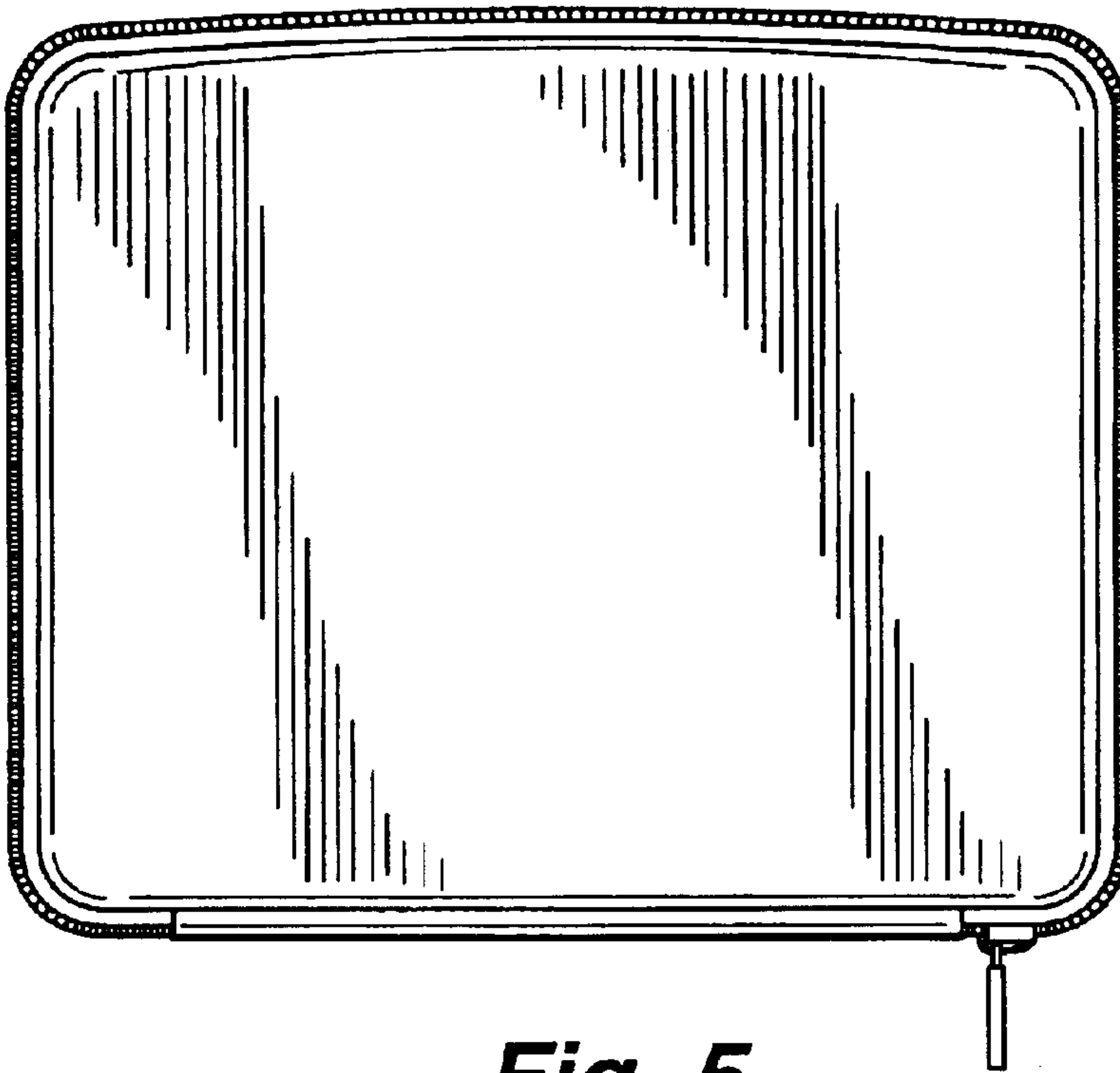
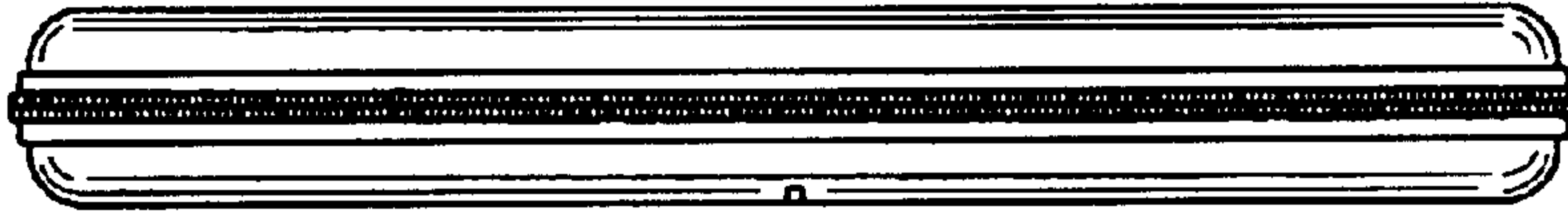


Fig. 5



Fig. 7

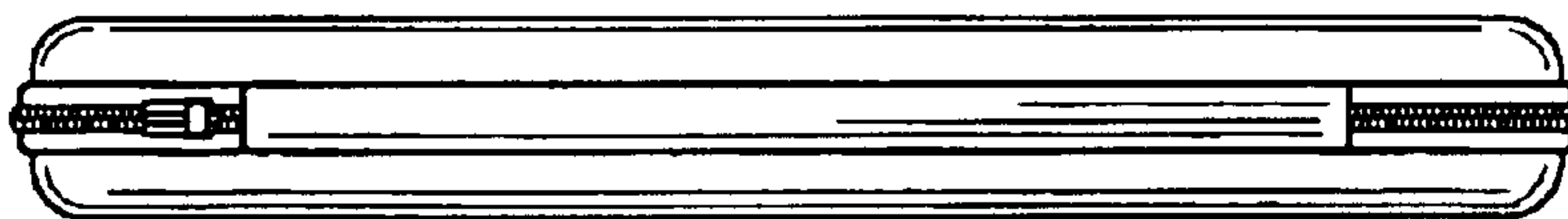


Fig. 6

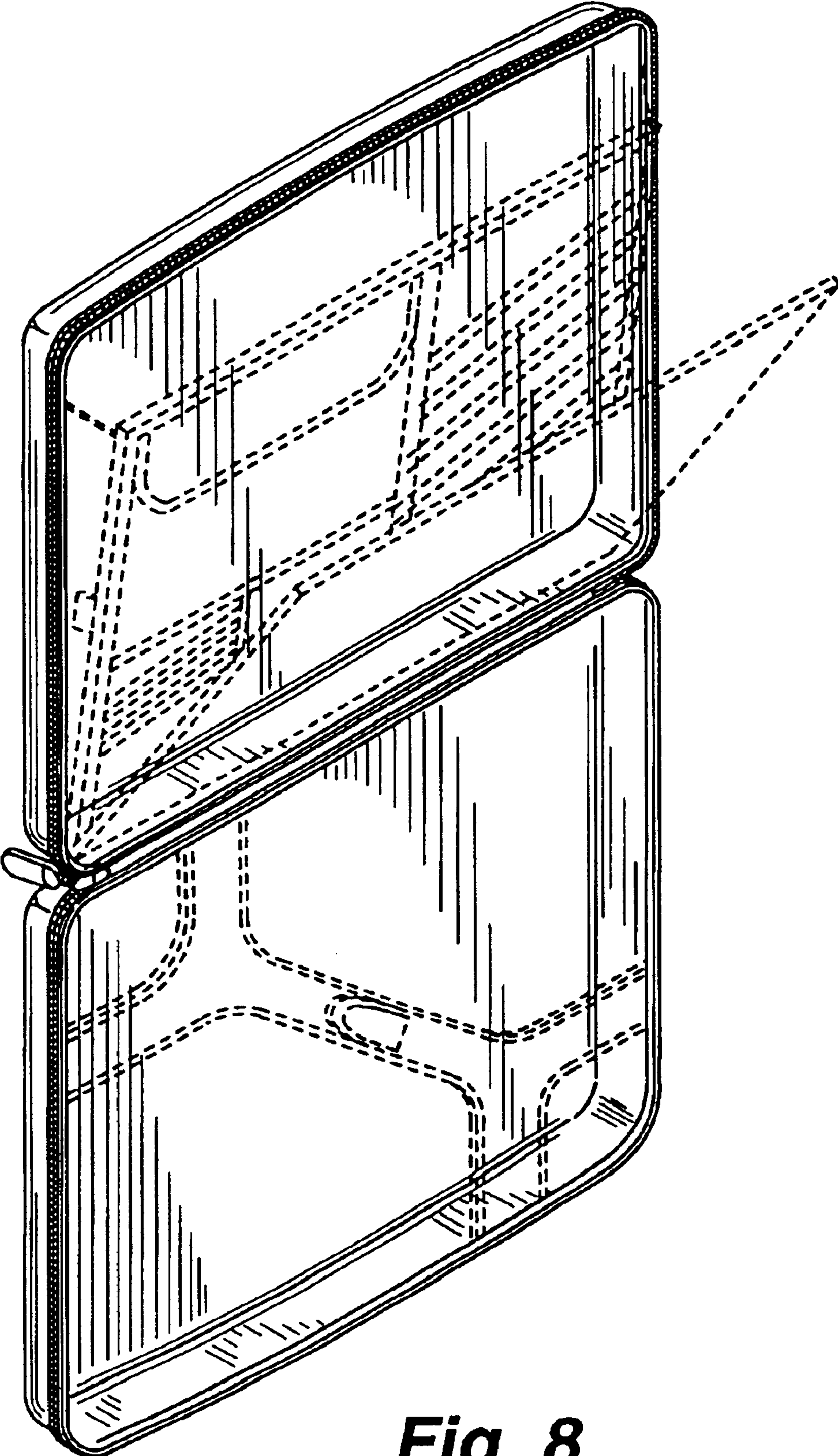


Fig. 8