

US00D500203S

(12) **United States Design Patent**  
**Kim**

(10) **Patent No.:** **US D500,203 S**

(45) **Date of Patent:** **\*\* Dec. 28, 2004**

(54) **CELLULAR PHONE CASE**

(76) **Inventor:** **Rick Heejune Kim**, 5434 E. Slauson Ave., Commerce, CA (US) 90040

(\*\*) **Term:** **14 Years**

(21) **Appl. No.:** **29/199,297**

(22) **Filed:** **Feb. 13, 2004**

(51) **LOC (7) Cl.** ..... **03-01**

(52) **U.S. Cl.** ..... **D3/218**

(58) **Field of Search** ..... D3/218, 215, 226,  
D3/228, 219, 225, 230; 224/904, 901, 240,  
236; D14/253, 138

(56) **References Cited**

**U.S. PATENT DOCUMENTS**

D435,722 S	*	1/2001	Pepping	.....	D3/218
D453,417 S	*	2/2002	Badillo et al.	.....	D3/218
D475,850 S	*	6/2003	Andre et al.	.....	D3/218
D476,149 S	*	6/2003	Andre et al.	.....	D3/218
D486,304 S	*	2/2004	Brown	.....	D3/218
D491,351 S	*	6/2004	Goradesky	.....	D3/218

\* cited by examiner

*Primary Examiner*—Catherine R. Oliver

(74) *Attorney, Agent, or Firm*—Park & Sutton LLP; John K. Park

(57) **CLAIM**

The ornamental design for a cellular phone case, as shown and described.

**DESCRIPTION**

FIG. 1 is a front and side perspective view of the cellular phone case showing my new design;

FIG. 2 is another perspective view of my new design;

FIG. 3 is a front elevational view of FIG. 1;

FIG. 4 is a side elevational view of FIG. 1, the opposite side being a mirror image;

FIG. 5 is a top plan view of FIG. 1;

FIG. 6 is a bottom plan view of FIG. 1;

FIG. 7 is a rear elevational view of FIG. 1;

FIG. 8 is a rear elevational view showing a second embodiment of my new design; and,

FIG. 9 is a rear elevational view showing a third embodiment of my new design.

**1 Claim, 9 Drawing Sheets**

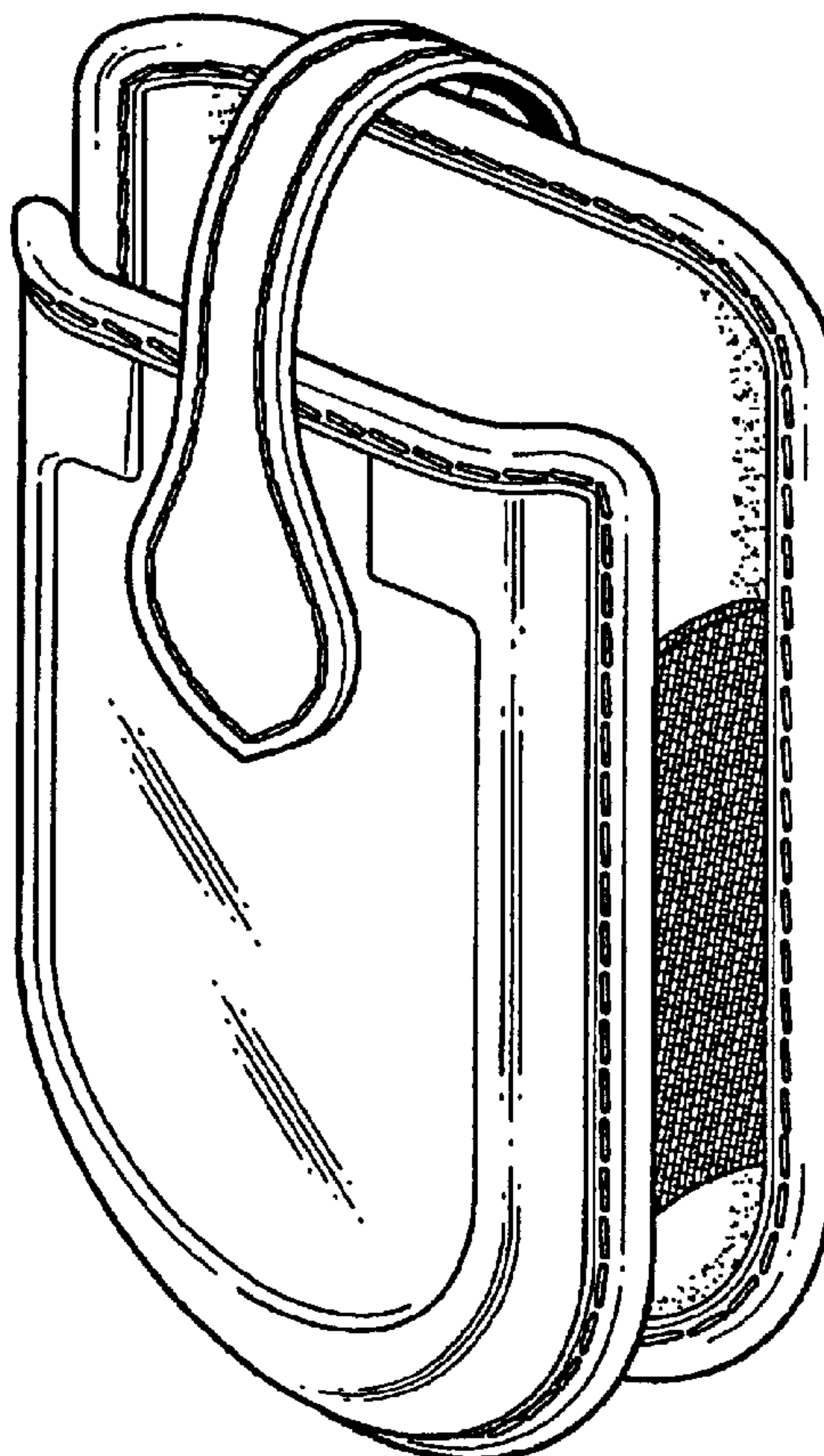


Fig. 1

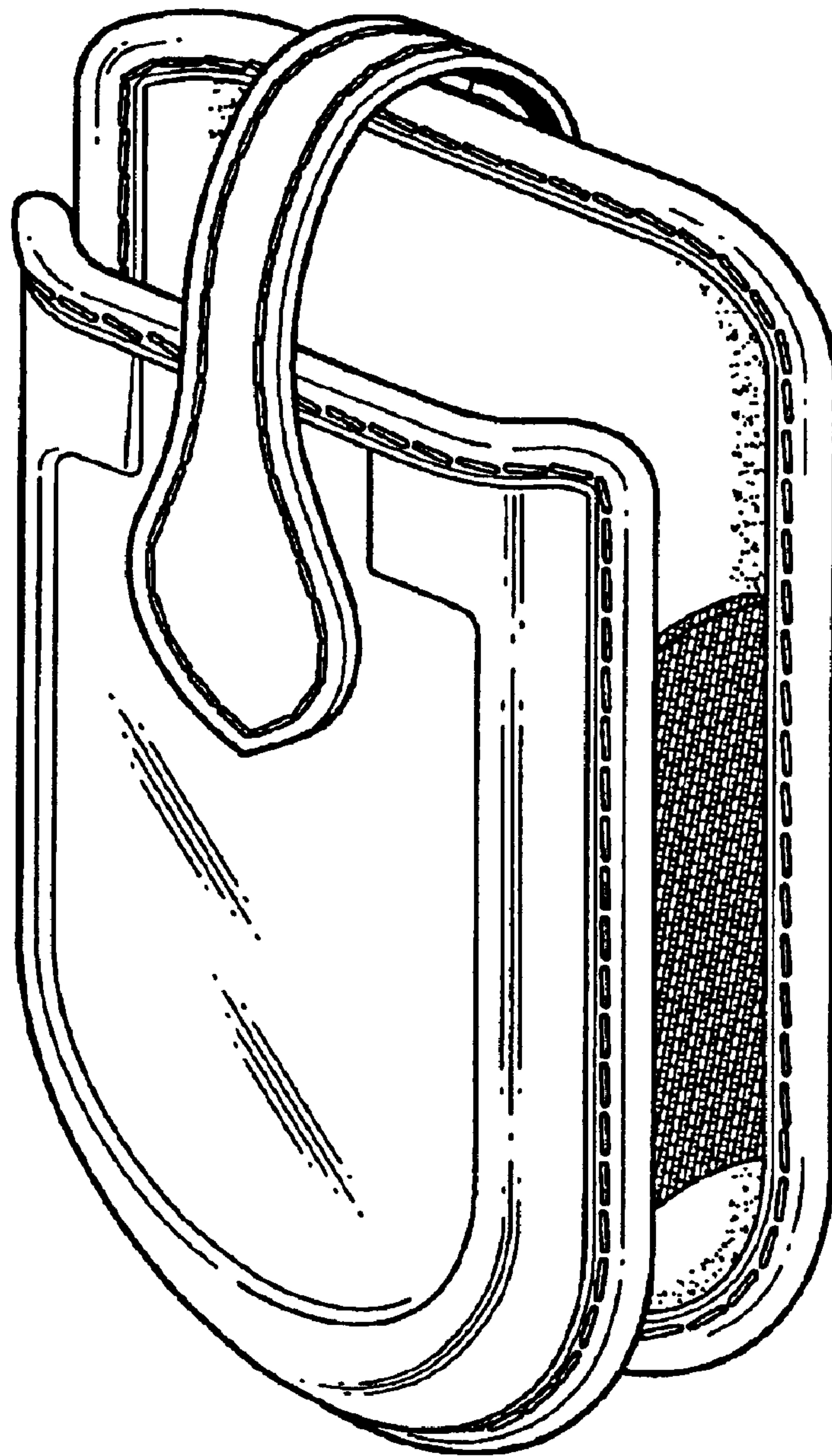


Fig. 2

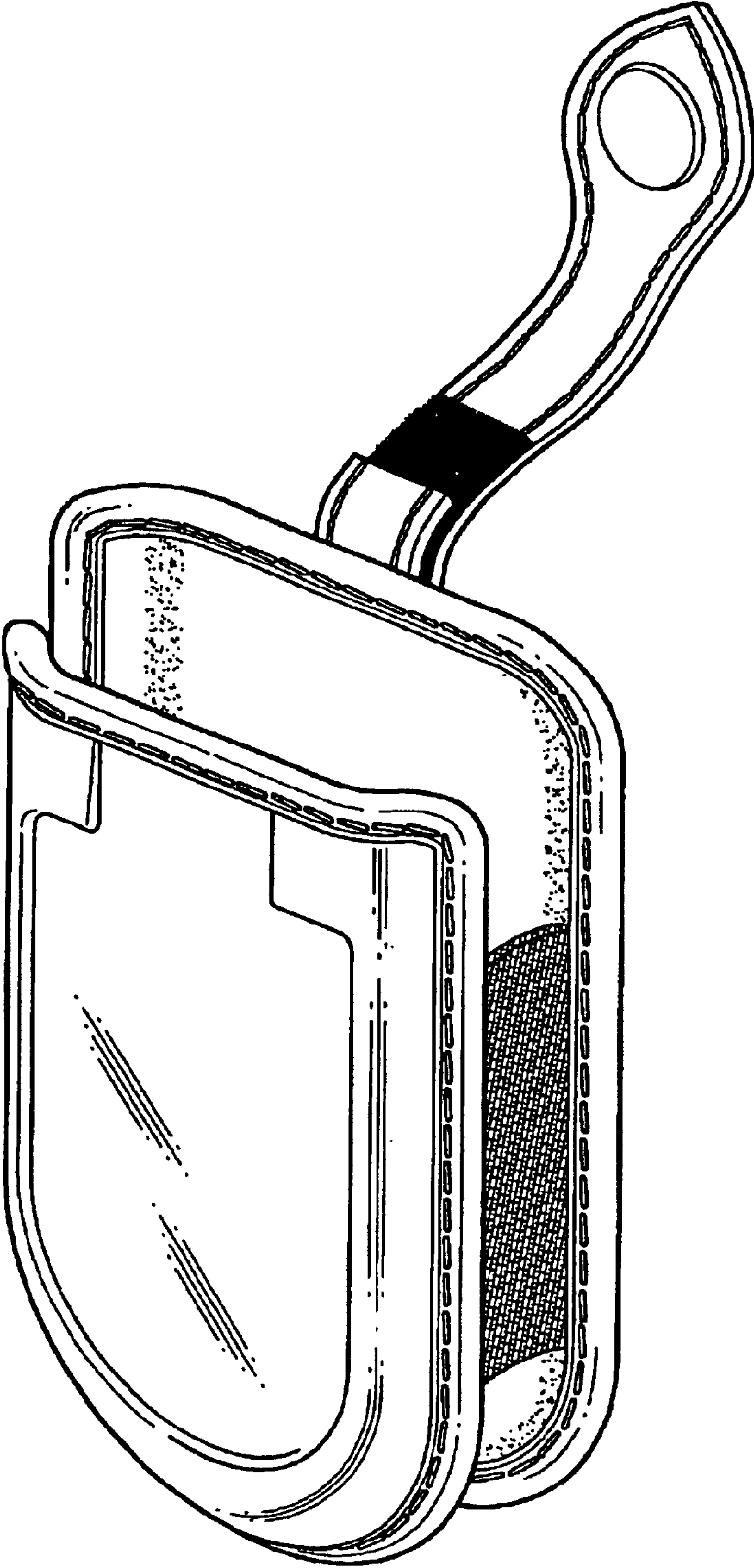


Fig. 3

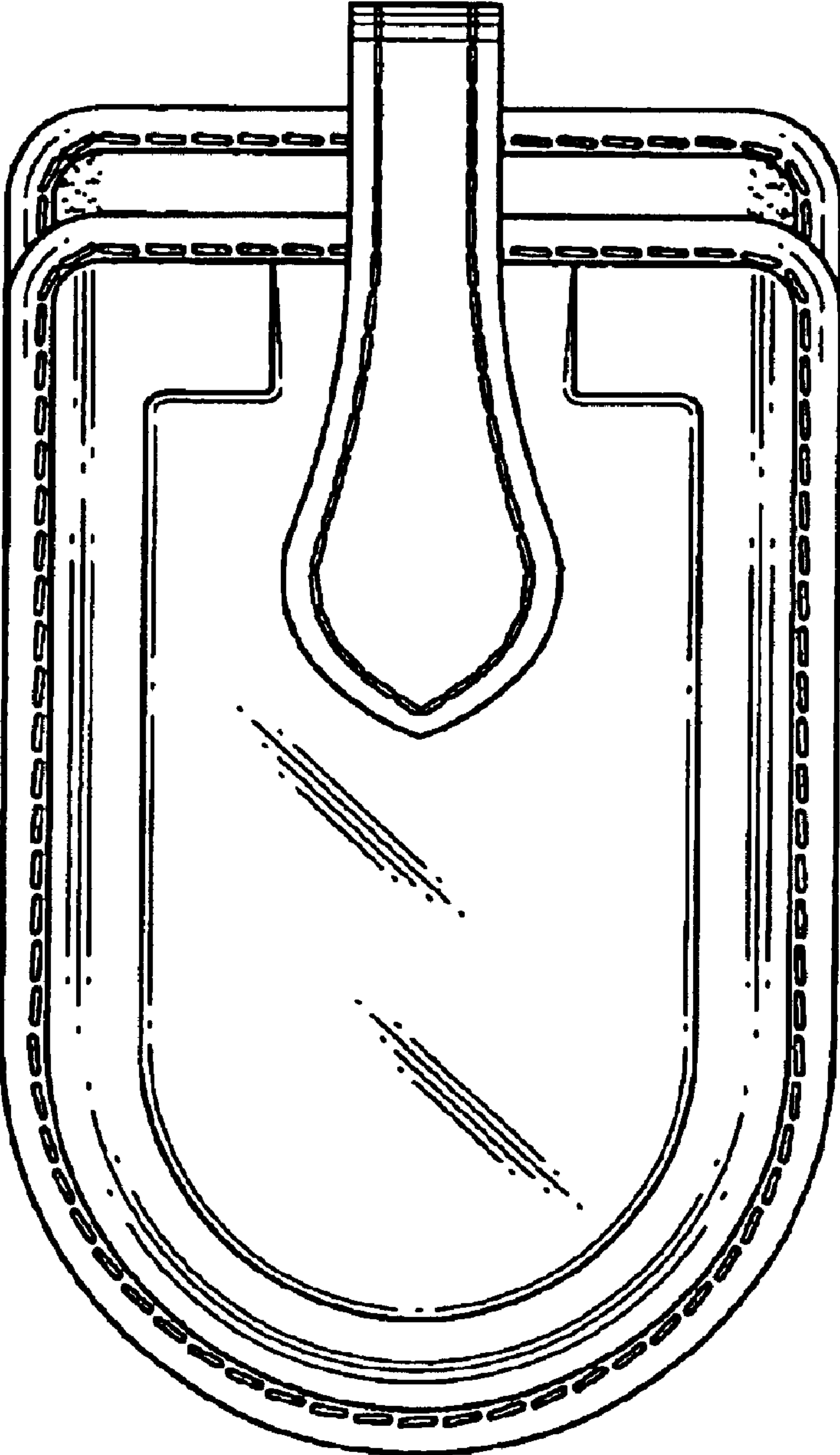
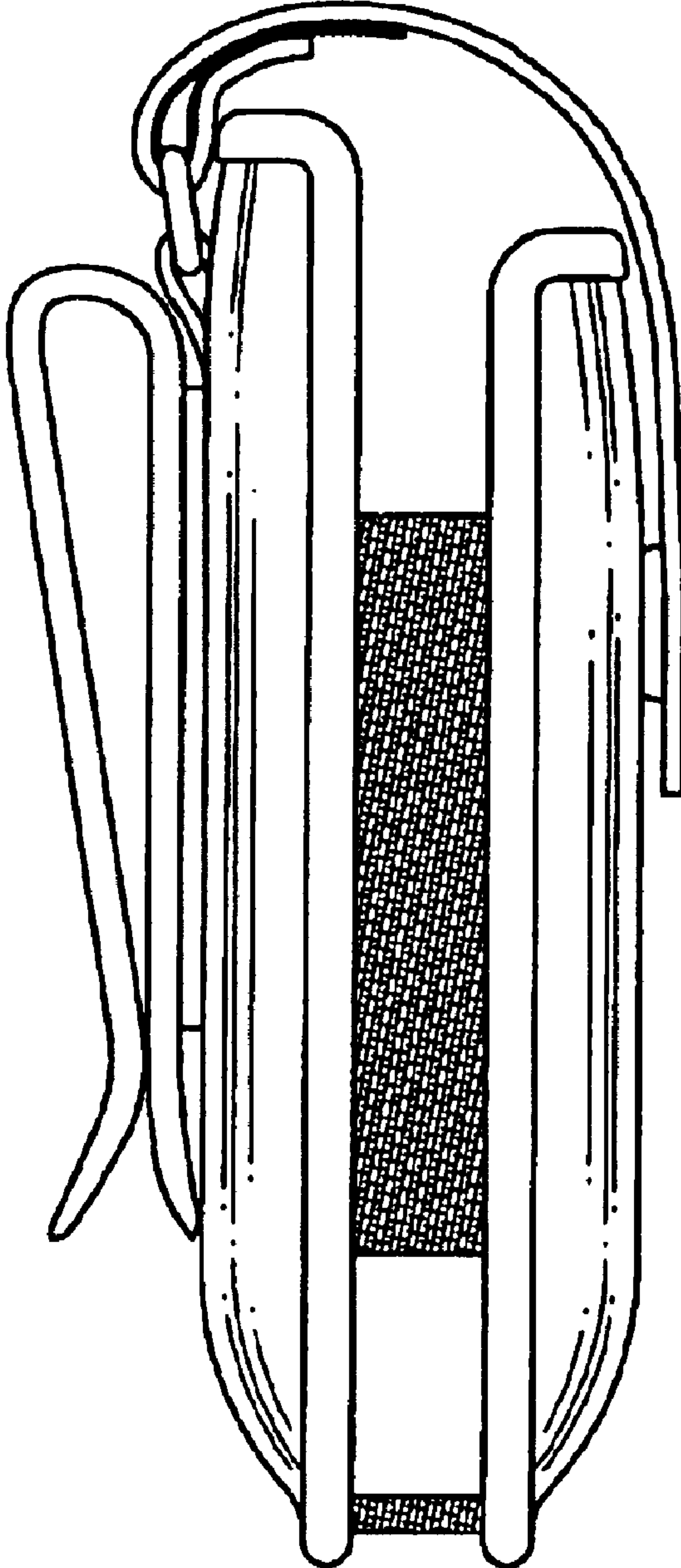




Fig. 4



# Fig. 5

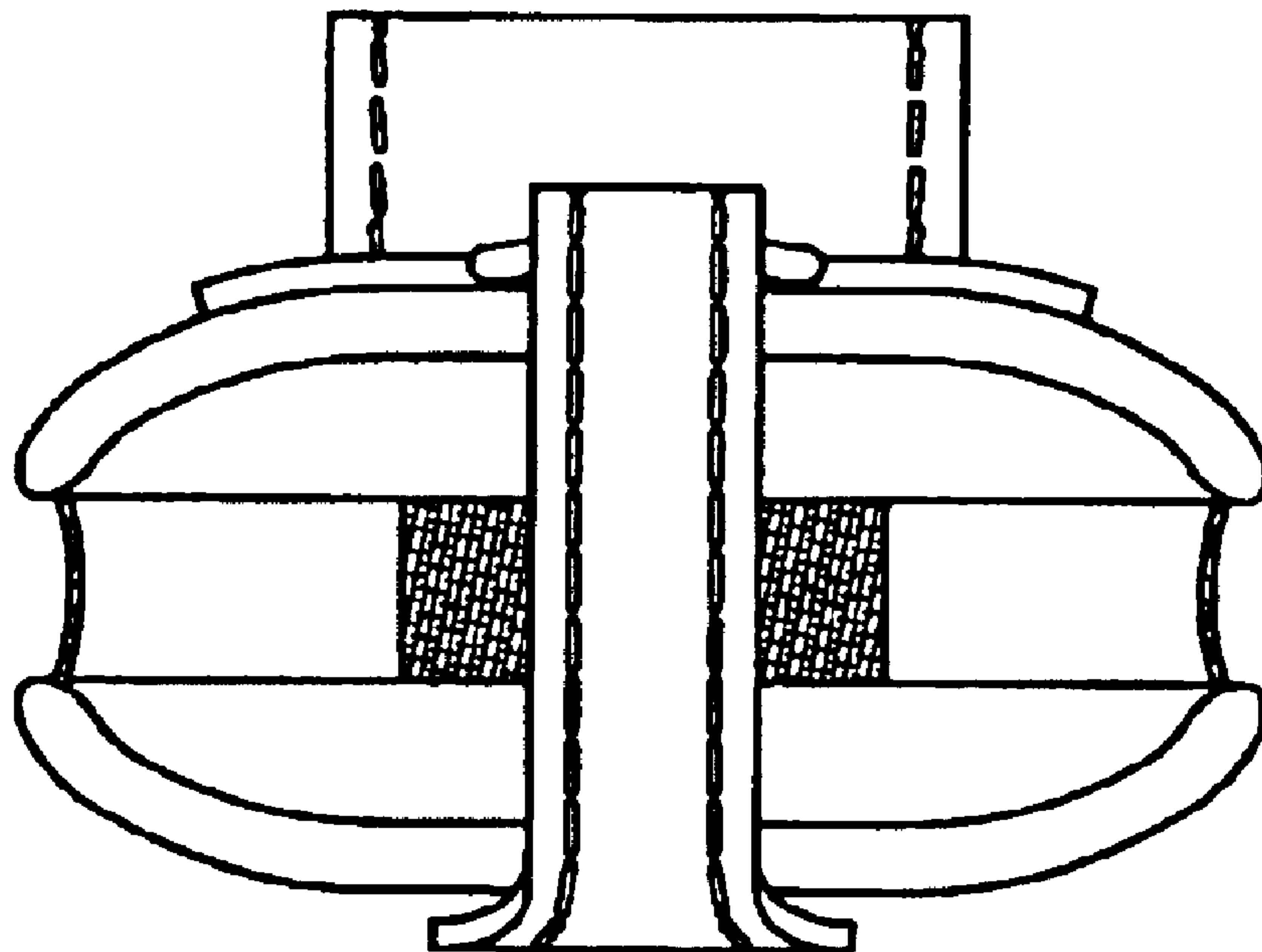


Fig. 6

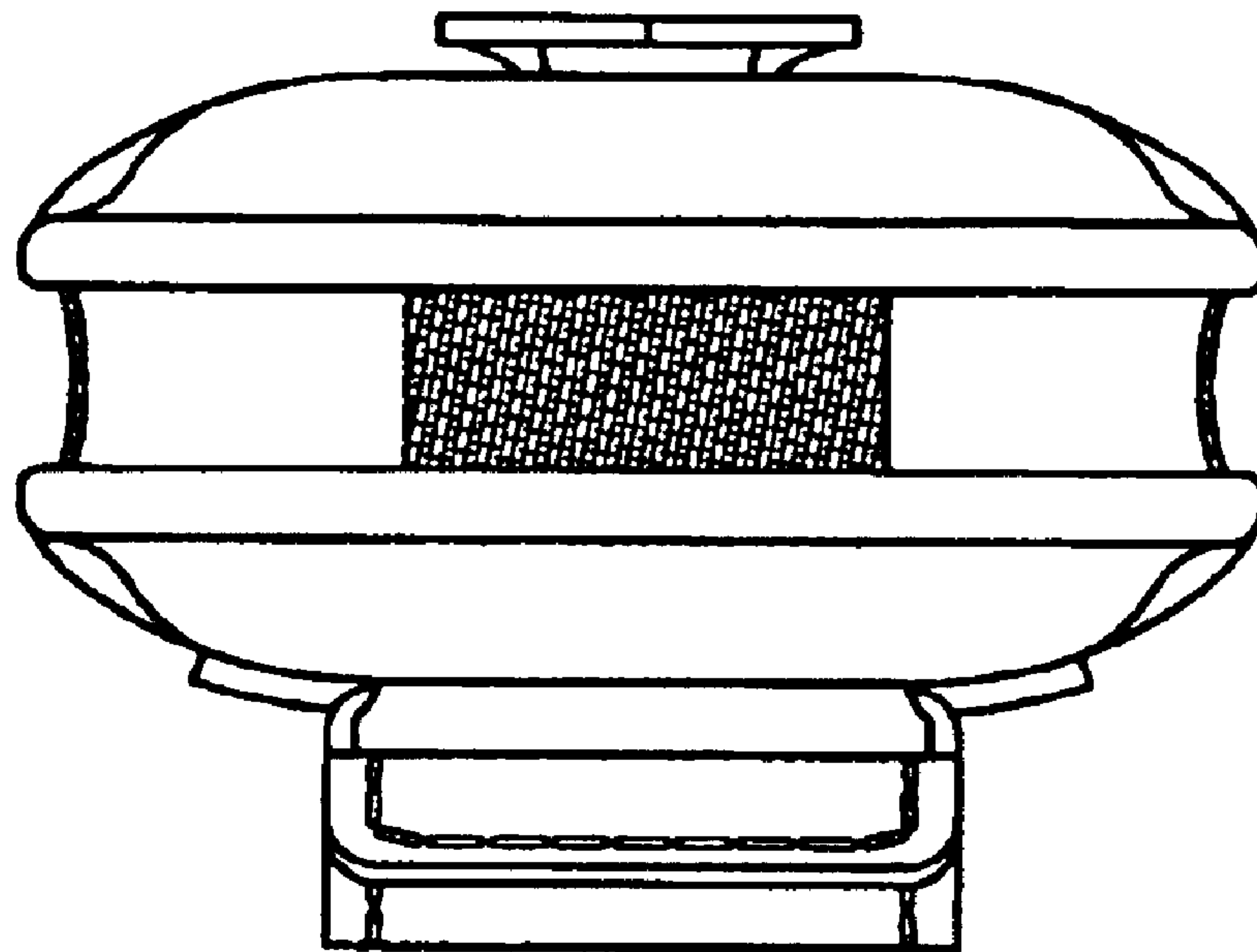


Fig. 7

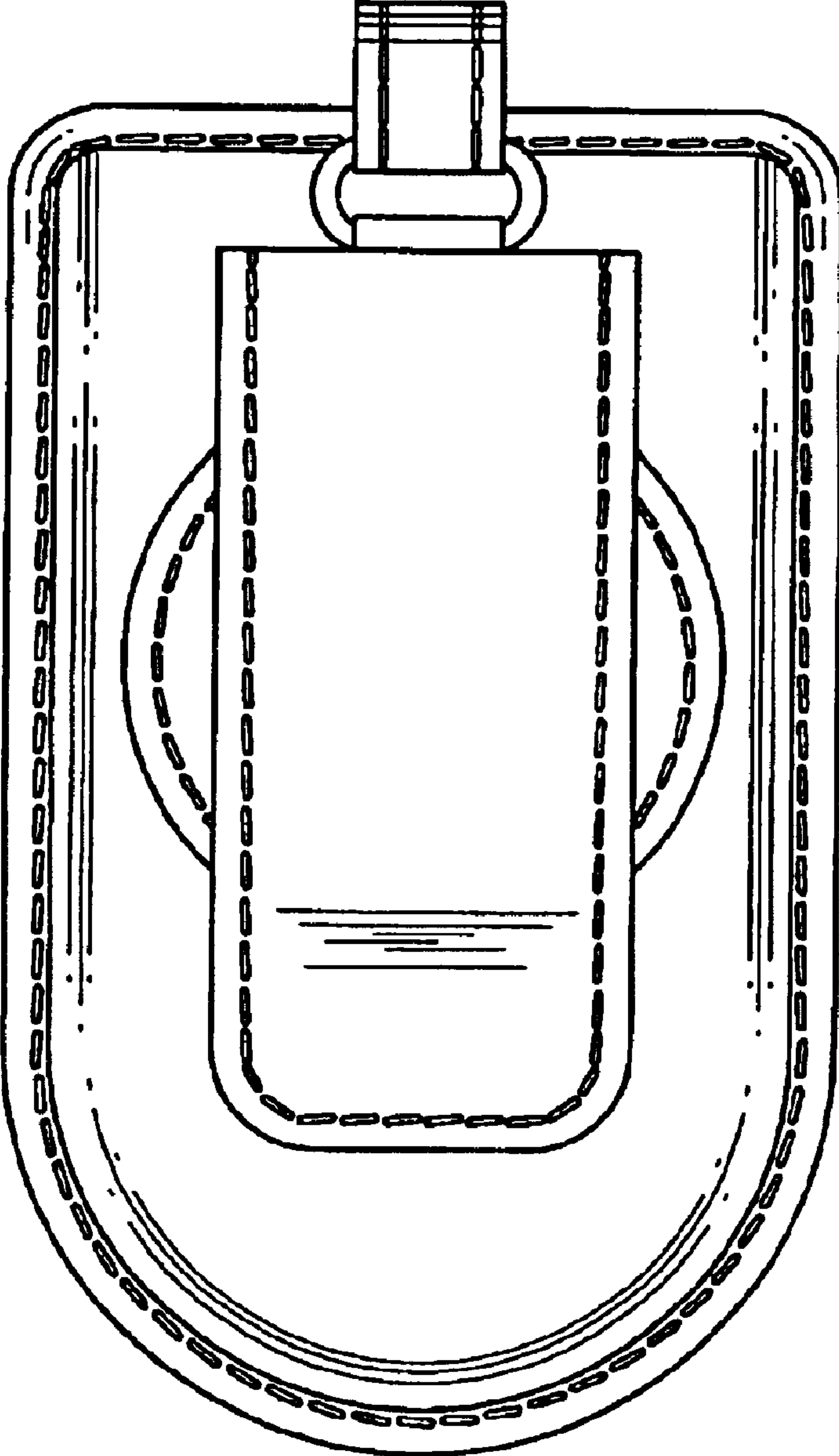




Fig. 8

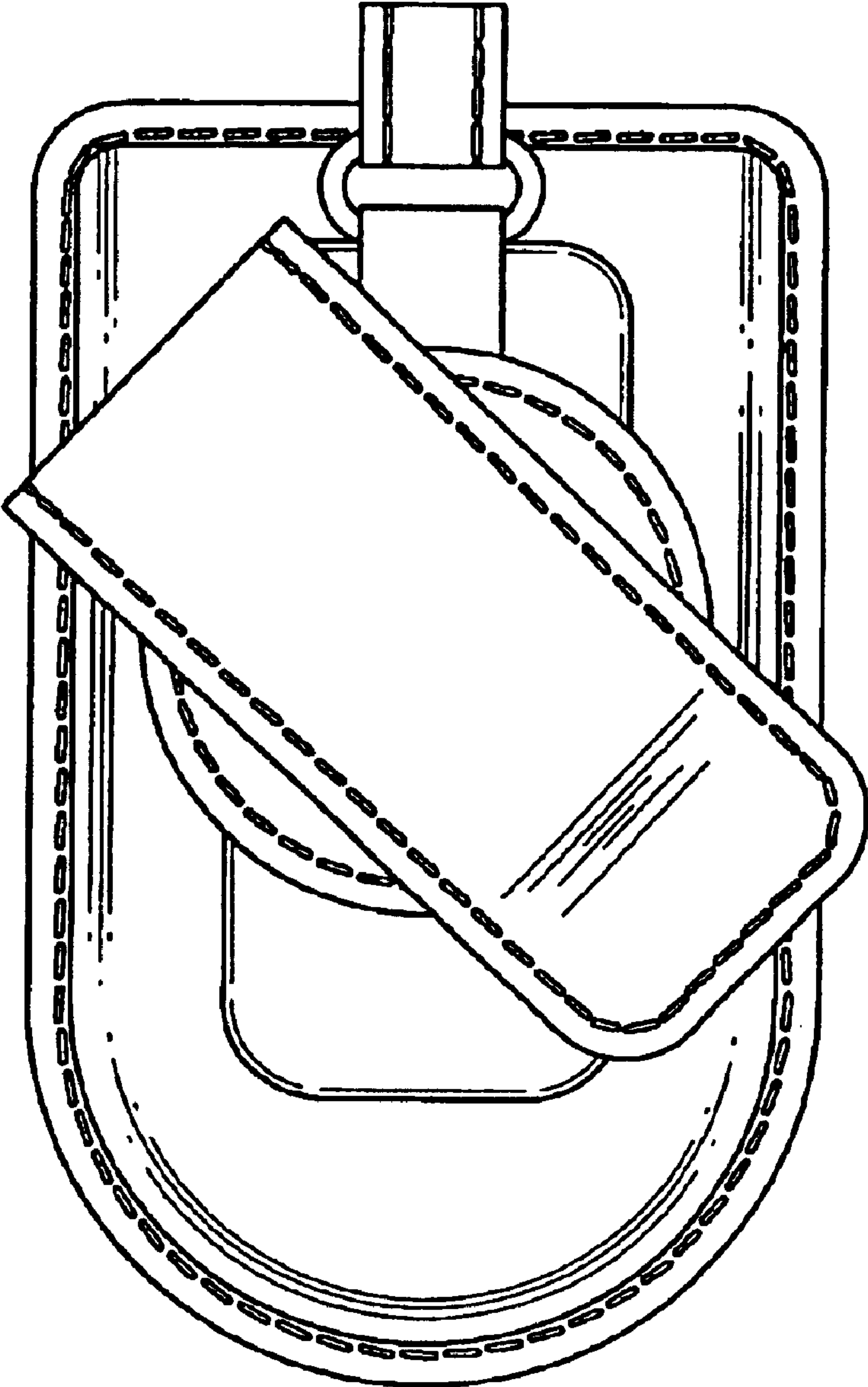


Fig. 9

