



US00D500182S

(12) **United States Design Patent**  
**DeFelice**

(10) **Patent No.:** **US D500,182 S**  
(45) **Date of Patent:** **\*\* \*Dec. 21, 2004**

(54) **DIP STICK OIL WIPER**  
(75) **Inventor:** **Thomas H. DeFelice**, Canton, OH (US)  
(73) **Assignee:** **MCA Sign Company**, Massillon, OH (US)

4,207,645 A 6/1980 Suckling  
4,374,445 A 2/1983 Wilson  
D293,980 S \* 2/1988 Bilbrey et al. .... D4/120  
4,780,925 A 11/1988 Sherman  
4,891,859 A 1/1990 Tremblay  
D340,558 S \* 10/1993 Winters ..... D32/40  
5,598,602 A 2/1997 Gibson  
D428,224 S \* 7/2000 Alexander ..... D32/35

(\*) **Notice:** This patent is subject to a terminal disclaimer.

**FOREIGN PATENT DOCUMENTS**

(\*\*) **Term:** **14 Years**

FR 2577409 \* 8/1986 ..... 15/218.1

(21) **Appl. No.:** **29/168,409**

\* cited by examiner

(22) **Filed:** **Sep. 30, 2002**

*Primary Examiner*—Alan P. Douglas  
*Assistant Examiner*—Lavone D. Tabor

(51) **LOC (7) Cl.** ..... **07-05**

(74) *Attorney, Agent, or Firm*—Sand & Sebolt

(52) **U.S. Cl.** ..... **D32/35; D32/52**

(58) **Field of Search** ..... D32/35, 40, 52;  
15/209.1, 218.1, 220.3, 220.4, 244.1, 210.1,  
214; D4/120; 401/10

(57) **CLAIM**

The ornamental design for a dip stick oil wiper, as shown and described.

(56) **References Cited**

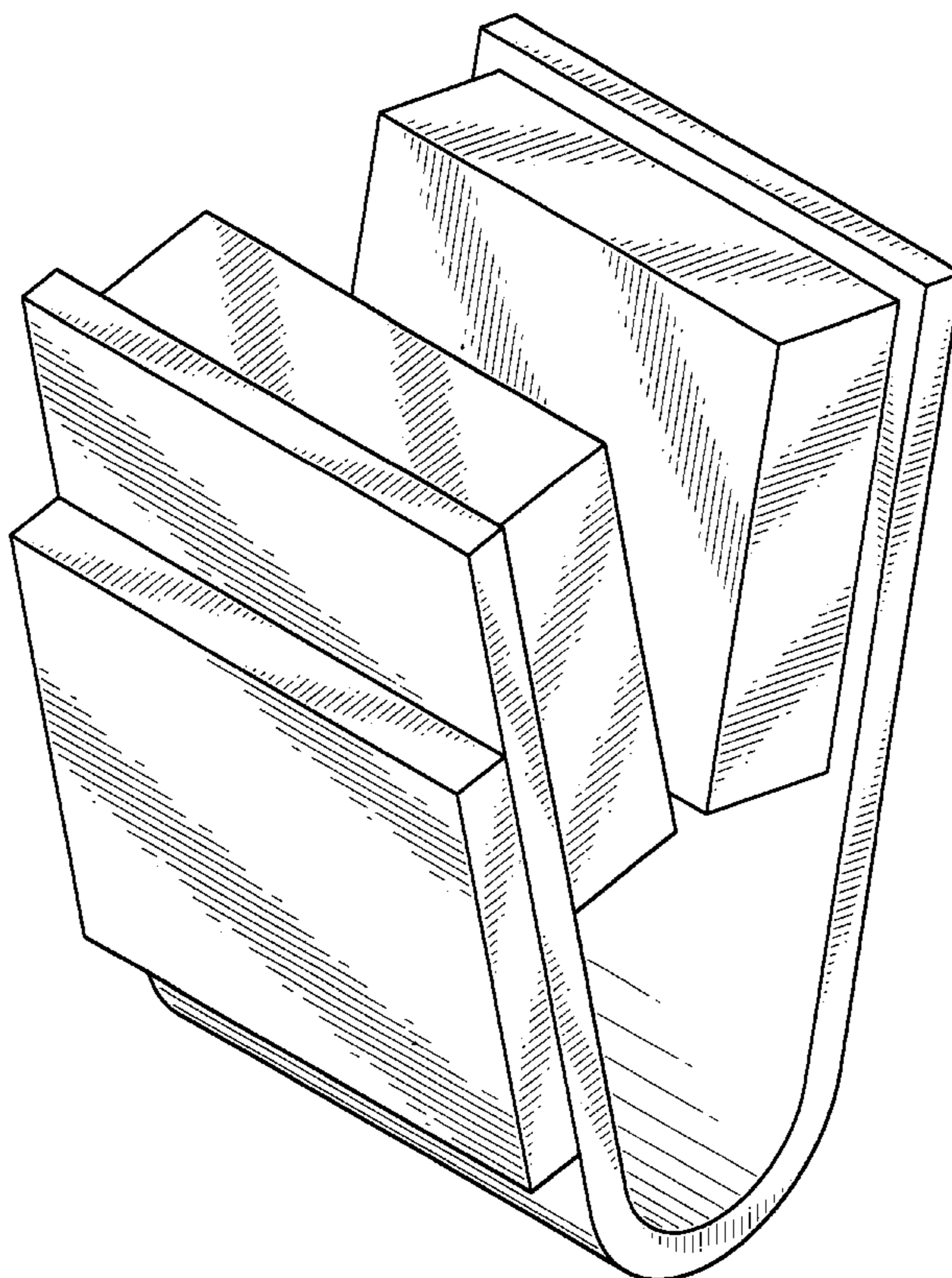
**DESCRIPTION**

**U.S. PATENT DOCUMENTS**

2,069,406 A 2/1937 Esch  
2,470,484 A \* 5/1949 Gall ..... 15/220.4  
2,855,682 A 10/1958 Norgard  
2,908,923 A \* 10/1959 Schlechter ..... 401/10  
2,968,825 A 1/1961 Wetherby  
3,080,594 A \* 3/1963 Race ..... 15/210.1  
3,205,525 A 9/1965 Birtzer  
4,103,388 A 8/1978 DeVitis

FIG. 1 is a perspective view of dip stick oil wiper showing my new design;  
FIG. 2 is a top plan view thereof;  
FIG. 3 is a front elevation view thereof;  
FIG. 4 is a right side elevation view thereof;  
FIG. 5 is a left side elevation view thereof; and,  
FIG. 6 is a bottom plan view thereof.

**1 Claim, 4 Drawing Sheets**



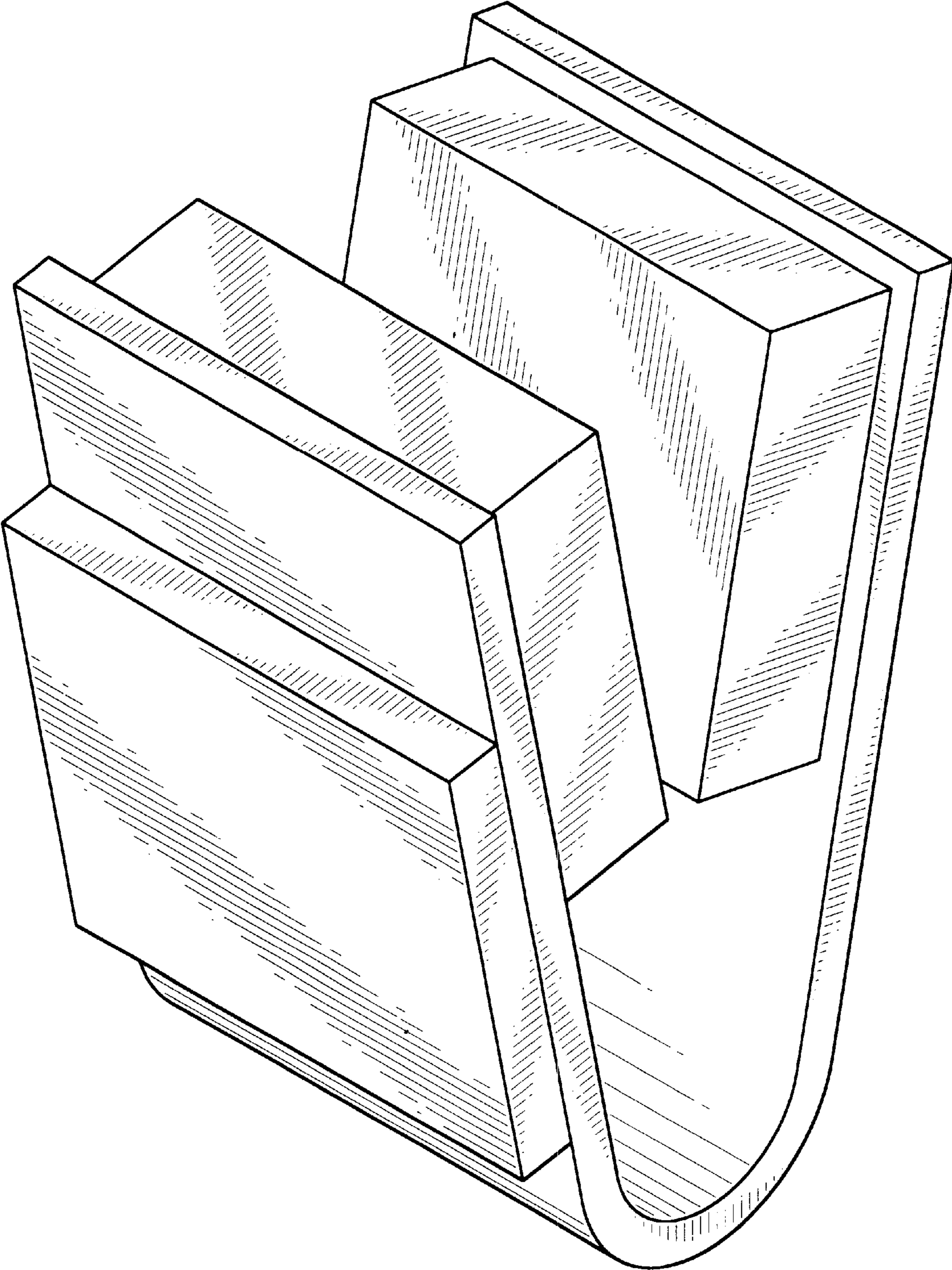


FIG-1

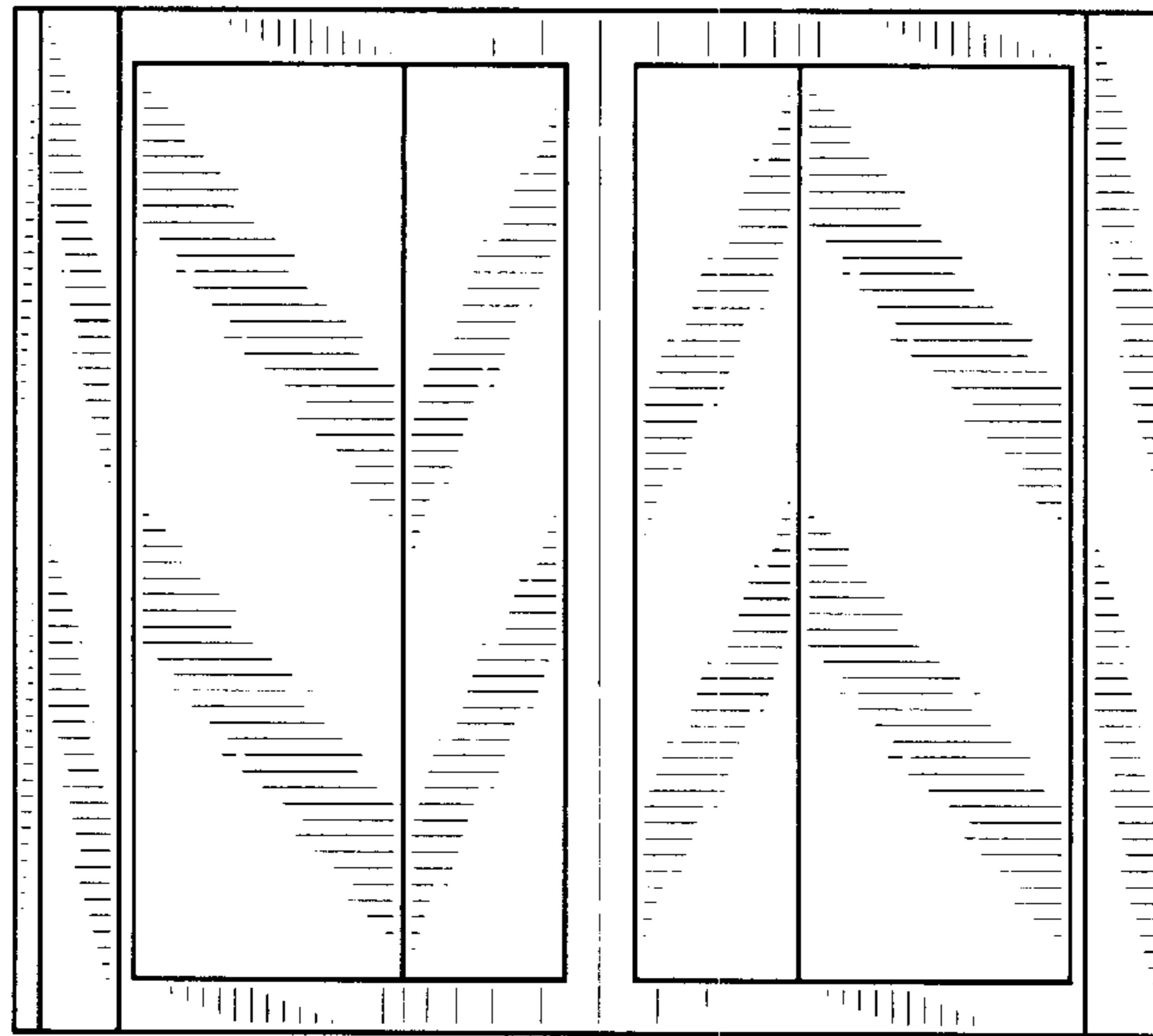


FIG-2

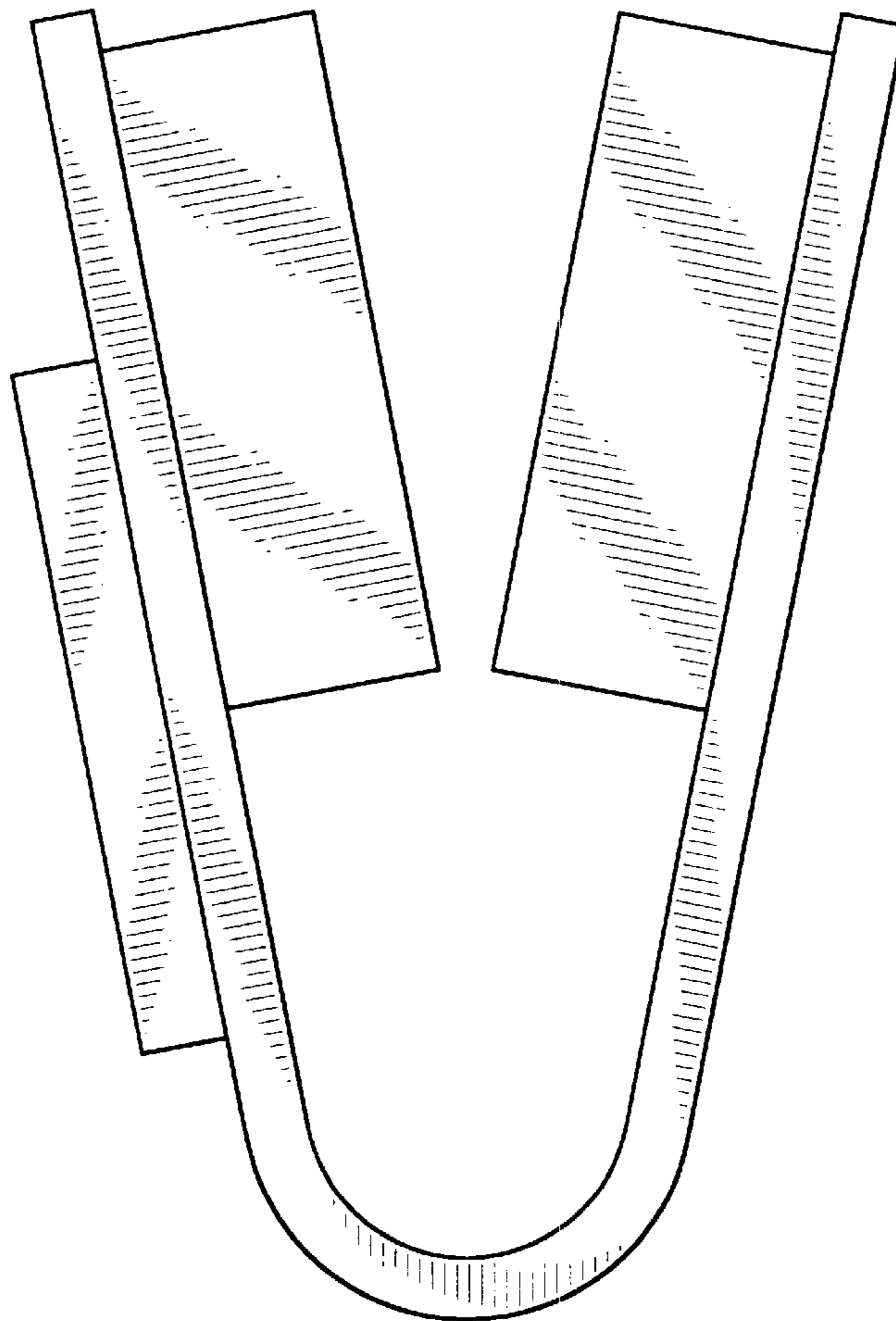


FIG-3

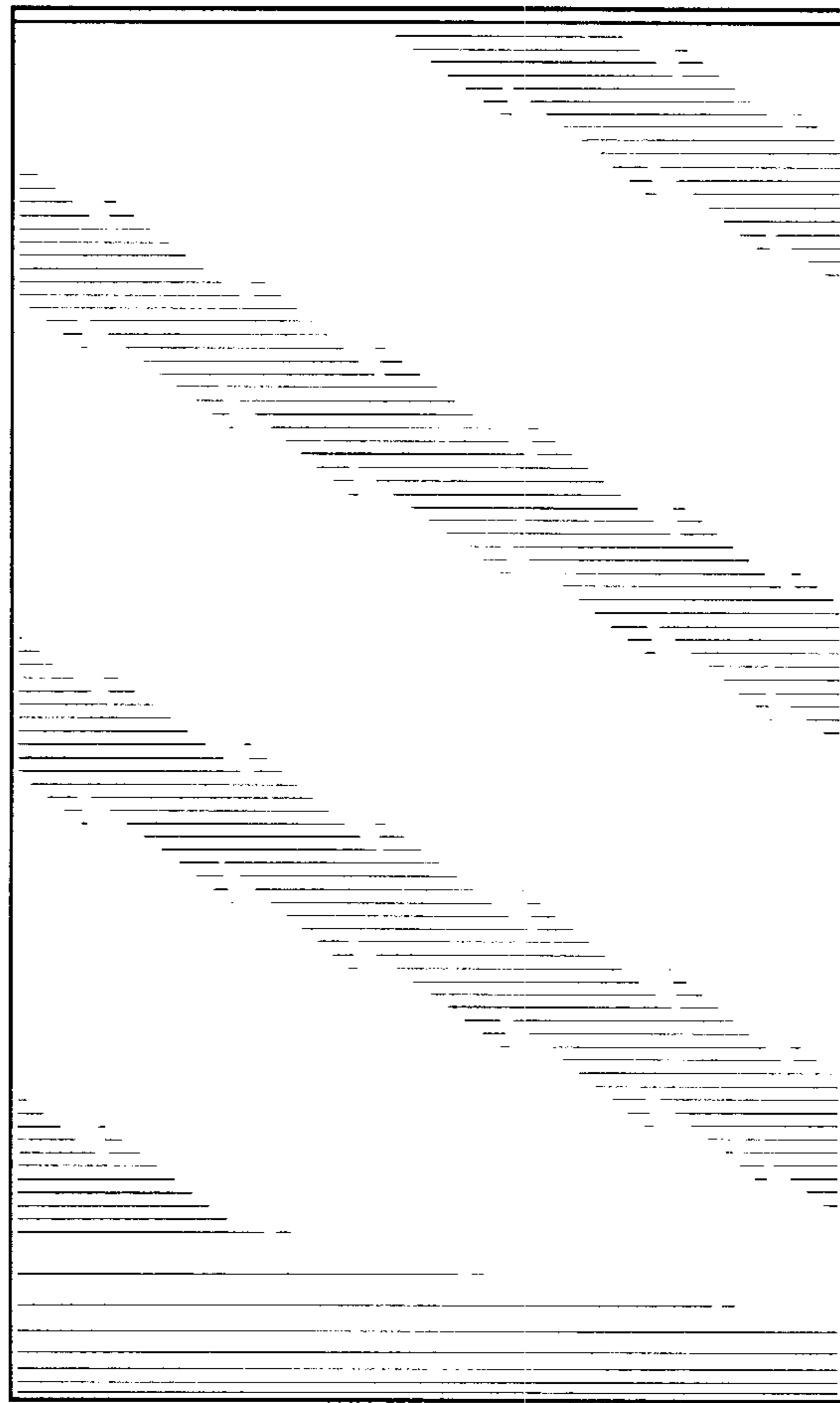


FIG-4

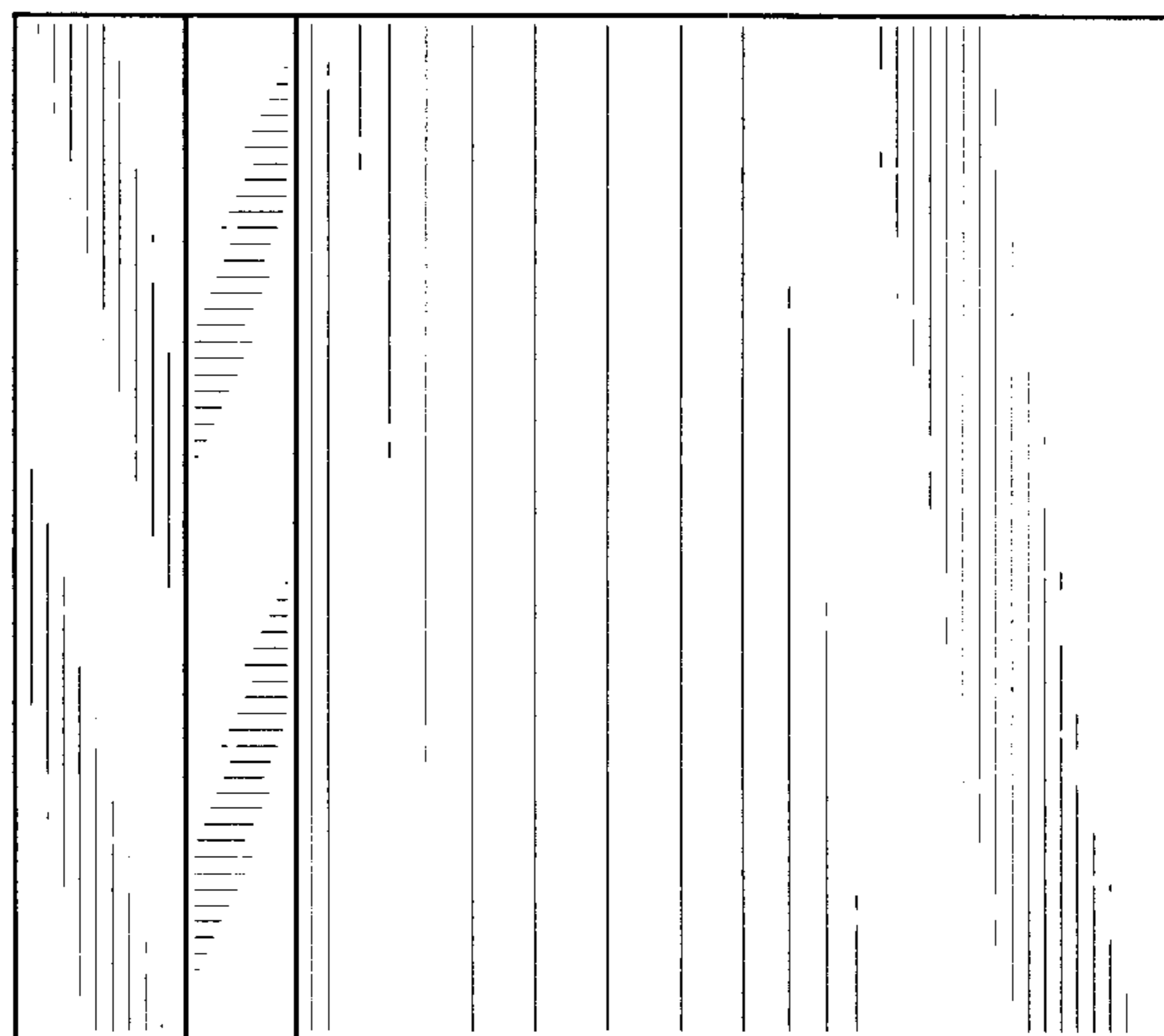
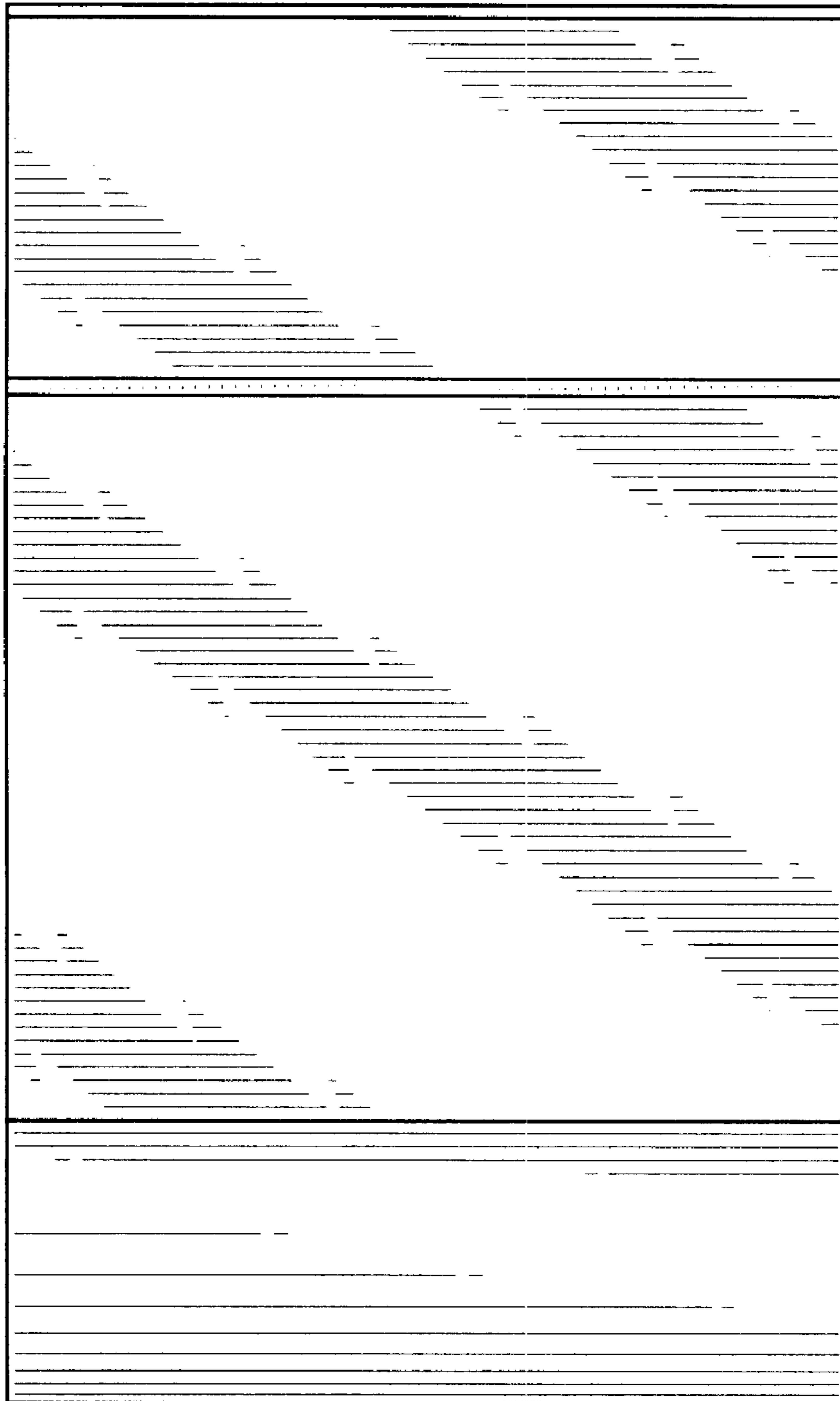


FIG-6



**FIG-5**