



US00D500165S

(12) **United States Design Patent** (10) **Patent No.:** **US D500,165 S**
Parres (45) **Date of Patent:** **** Dec. 21, 2004**

- (54) **LIGHTING FIXTURE SUPPORT**
- (75) Inventor: **Miguel Parres**, Alta Loma, CA (US)
- (73) Assignee: **Minka Lighting, Inc.**, Corona, CA (US)
- (**) Term: **14 Years**
- (21) Appl. No.: **29/193,830**
- (22) Filed: **Nov. 13, 2003**
- (51) **LOC (7) Cl.** **26-99**
- (52) **U.S. Cl.** **D26/144; D26/90**
- (58) **Field of Search** **D26/72-92, 142-144; 362/147, 404-408**

(56) **References Cited**

U.S. PATENT DOCUMENTS

1,127,527 A	*	2/1915	Schoem	362/404
D87,213 S	*	6/1932	Hoffmann	D26/90
D386,282 S	*	11/1997	Littman et al.	D26/88
D389,598 S	*	1/1998	Littman et al.	D26/84
D417,744 S	*	12/1999	Littman et al.	D26/88
D441,895 S	*	5/2001	Orozco	D26/85

OTHER PUBLICATIONS

- U.S. patent application Ser. No. 29/193,836, Miguel Parres, filed Nov. 13, 2003.
- U.S. patent application Ser. No. 29/193,881, Miguel Parres, filed Nov. 13, 2003.
- U.S. patent application Ser. No. 29/193,829, Miguel Parres, filed Nov. 13, 2003.
- U.S. patent application Ser. No. 29/193,883, Miguel Parres, filed Nov. 13, 2003.
- U.S. patent application Ser. No. 29/193,887, Miguel Parres, filed Nov. 13, 2003.
- Minka Aire Two Thousand Two; pp. 129-130, Apr. 22, 2002, Minka Lighting, Inc. USA.
- Minka Aire Two Thousand Three; pp. 224-225, 303, 376, 385, Jan. 2003, Minka Lighting, Inc. USA.

Home Depot Advertisement, Hampton Bay Collection, Items E and G, Oct. 2003, The Home Depot, Inc. USA.
 Lowe's Advertisement, Kichler Paces Collection, Items E and H, Sep. 2003, Lowe's, Inc.
 Single Wall of Ceiling Light in Brushed Steel, SKU # 038397, Oct. 2003, www.lampsontheweb.com.
 Chandelier 5 Light Incandescent, 2005NI, Oct. 2003, Kichler, Inc.
 Kichler Catalog No. 102, pp. 132-133; 1883NCH, 1885NCH, 2785NCH, 2002, Kichler, Inc.
 Kichler Catalog No. 104, pp. 114, 115, 274 and 278; 2020AB, 2771AB, 2019AB, 2520AB, 6322NI, 5227NCH, 2002, Kichler, Inc.

* cited by examiner

Primary Examiner—Clare E Heflin

(74) *Attorney, Agent, or Firm*—Jenkins & Gilchrist

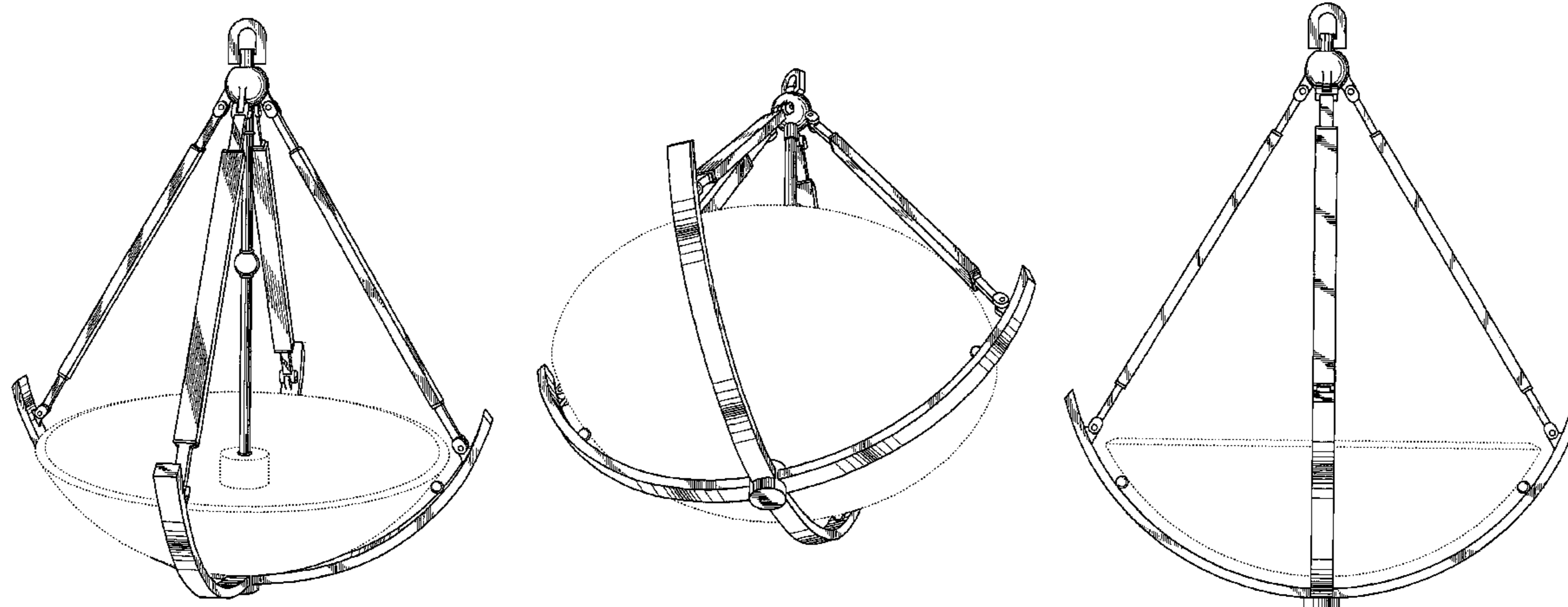
(57) **CLAIM**

The ornamental design for the lighting fixture support, as shown and described.

DESCRIPTION

FIG. 1 is a perspective view from above of a lighting fixture support in accordance with my design, shown in its environment;
 FIG. 2 is a perspective view from below of the lighting fixture support in accordance with my design, shown in its environment;
 FIG. 3 is a front elevation view of the lighting fixture support in accordance with my design, shown in its environment;
 FIG. 4 is a side elevation view of the lighting fixture support in accordance with my design, shown in its environment;
 FIG. 5 is a top plan view of the lighting fixture support in accordance with my design, shown in its environment; and,
 FIG. 6 is a bottom plan view of the lighting fixture support in accordance with my design, shown in its environment.
 The broken lines showing environmental structure are for illustrative purposes and form no part of the claimed design.

1 Claim, 6 Drawing Sheets



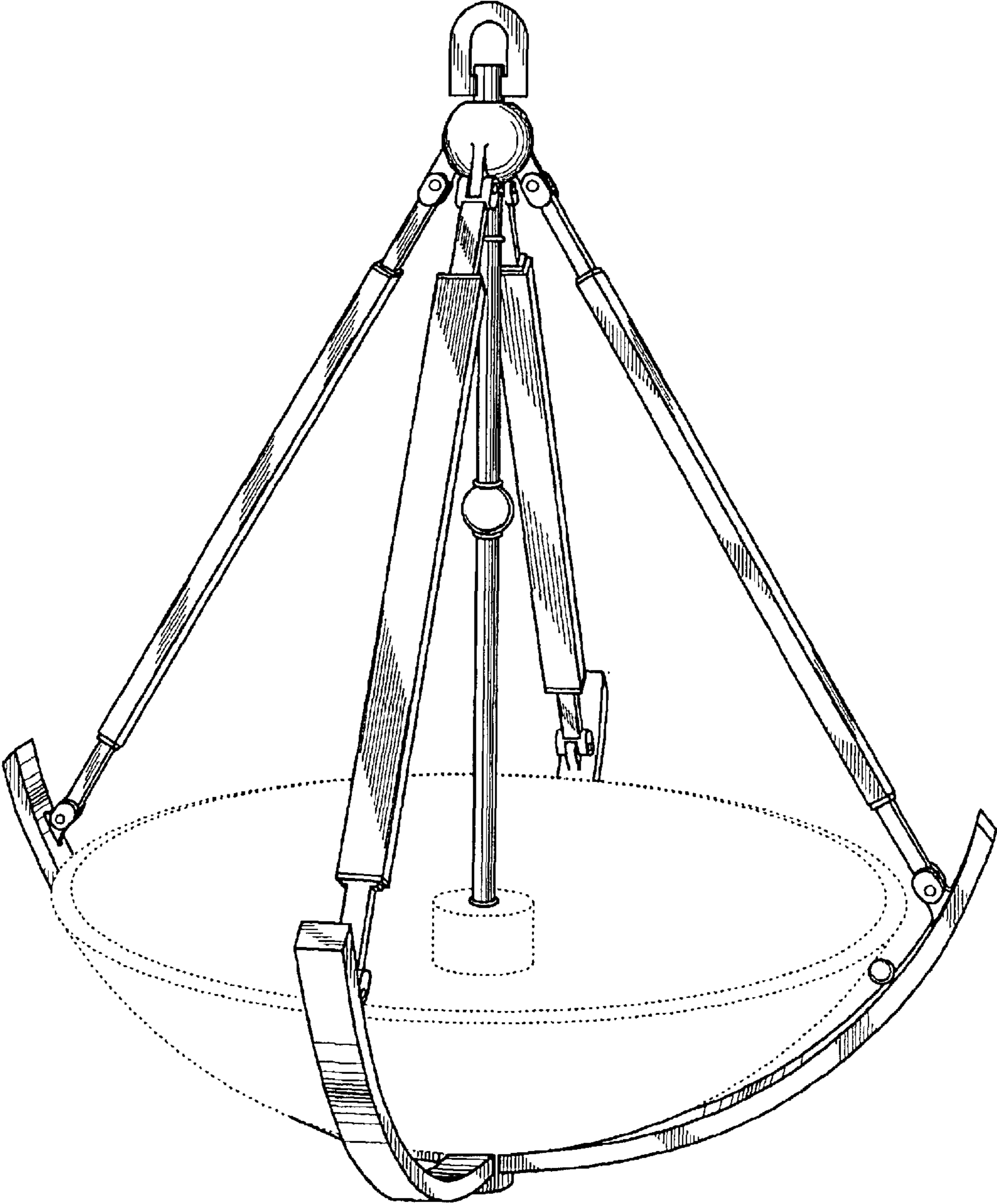


Fig. 1

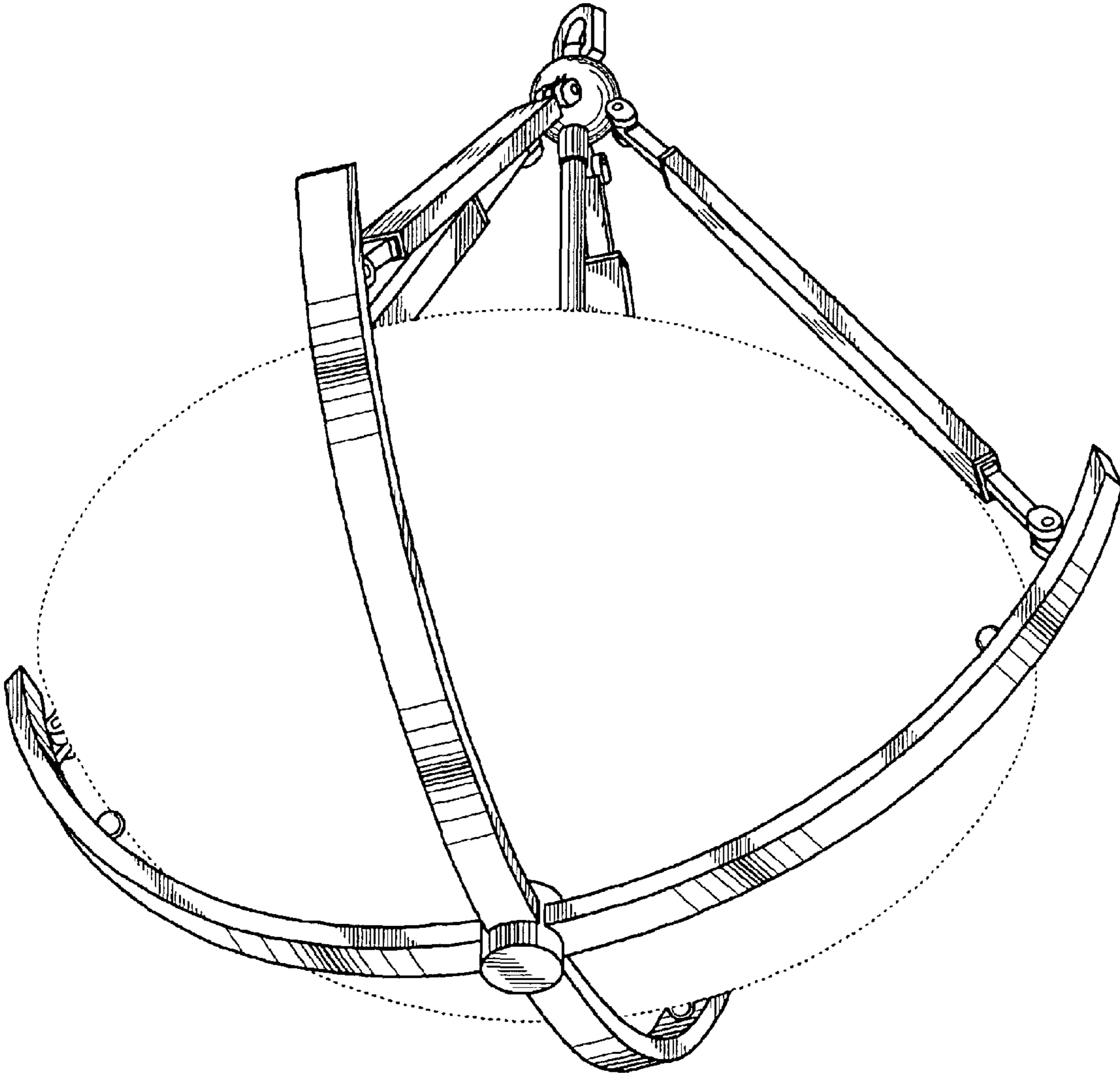


Fig.2

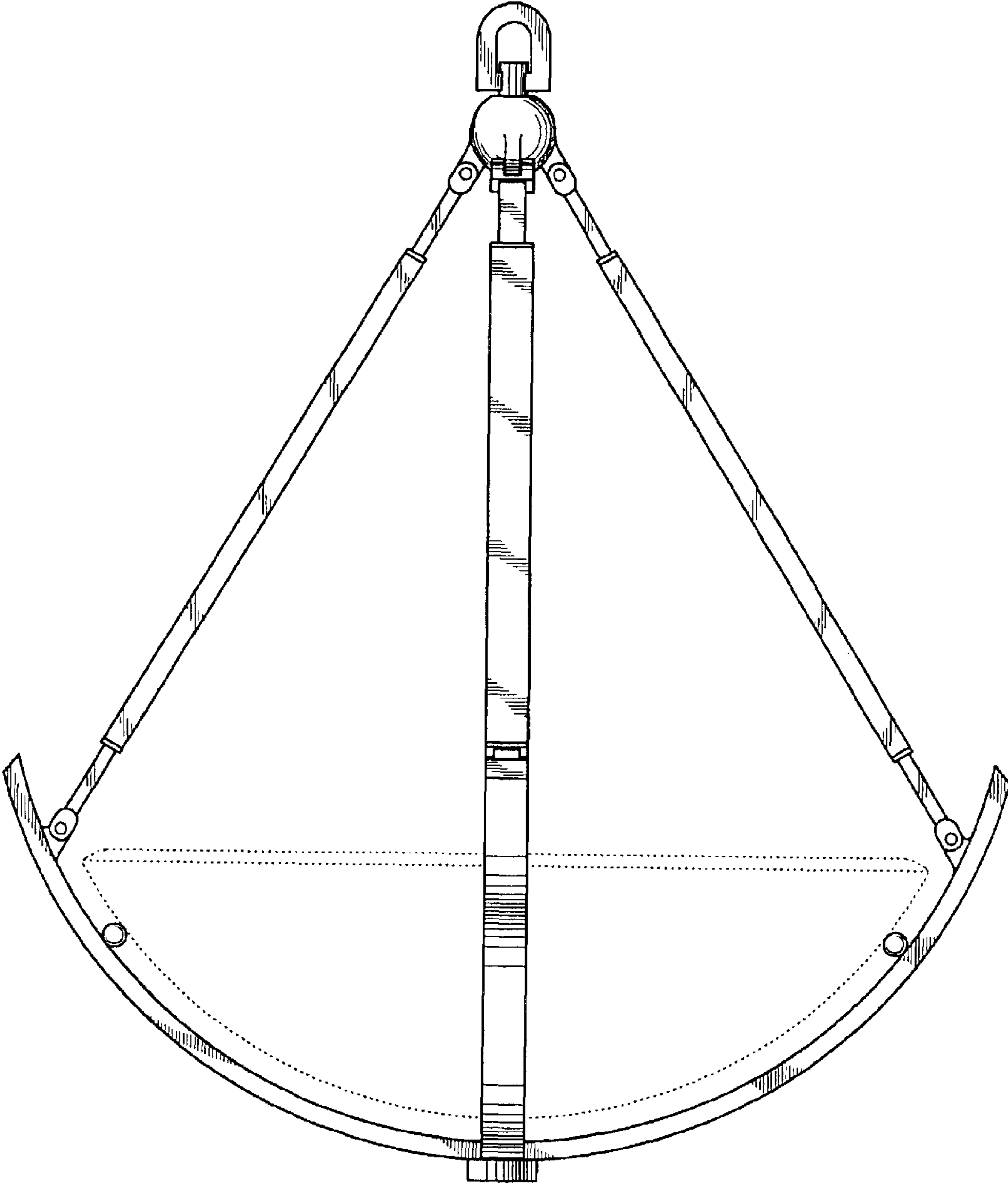


Fig.3

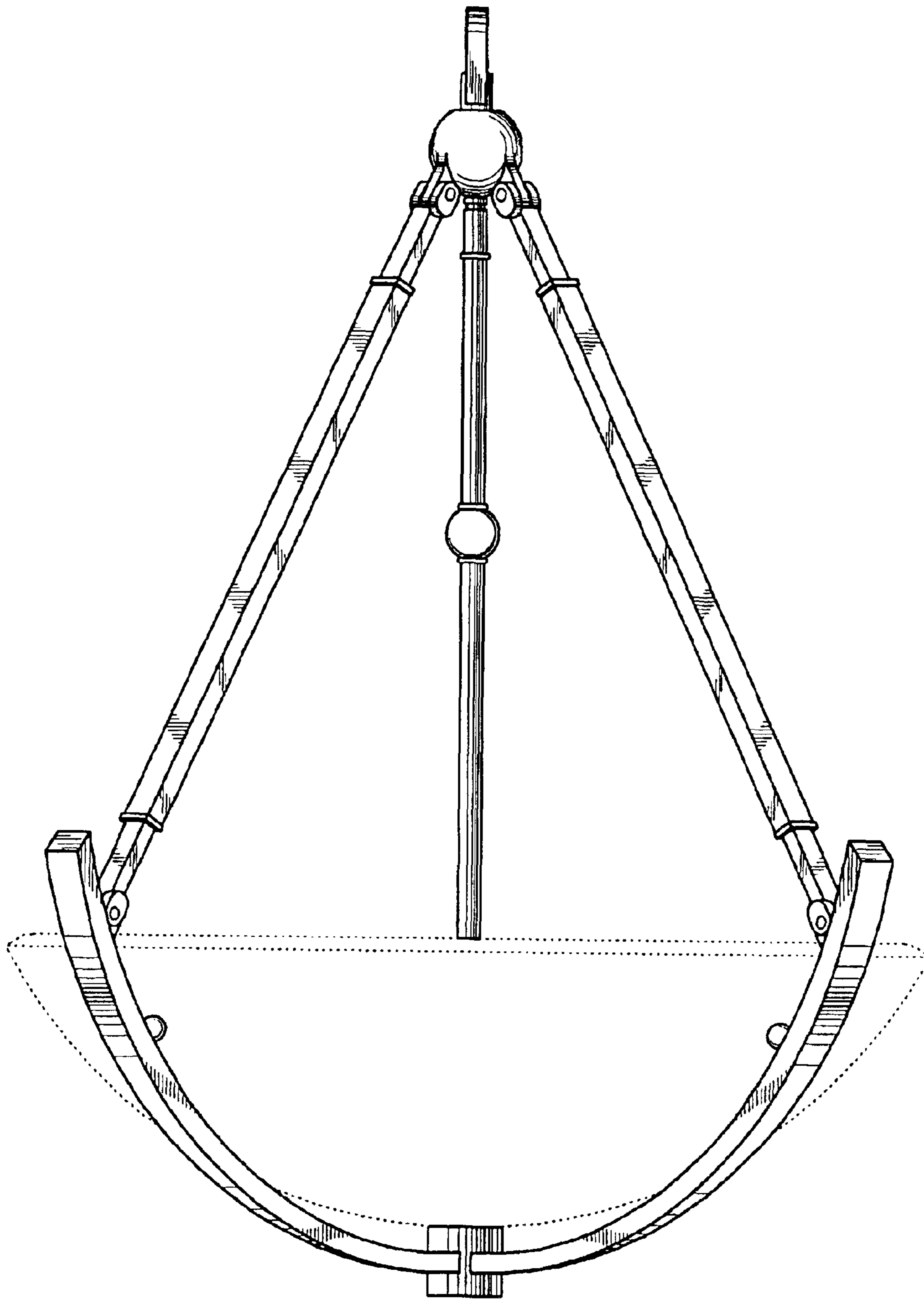


Fig. 4

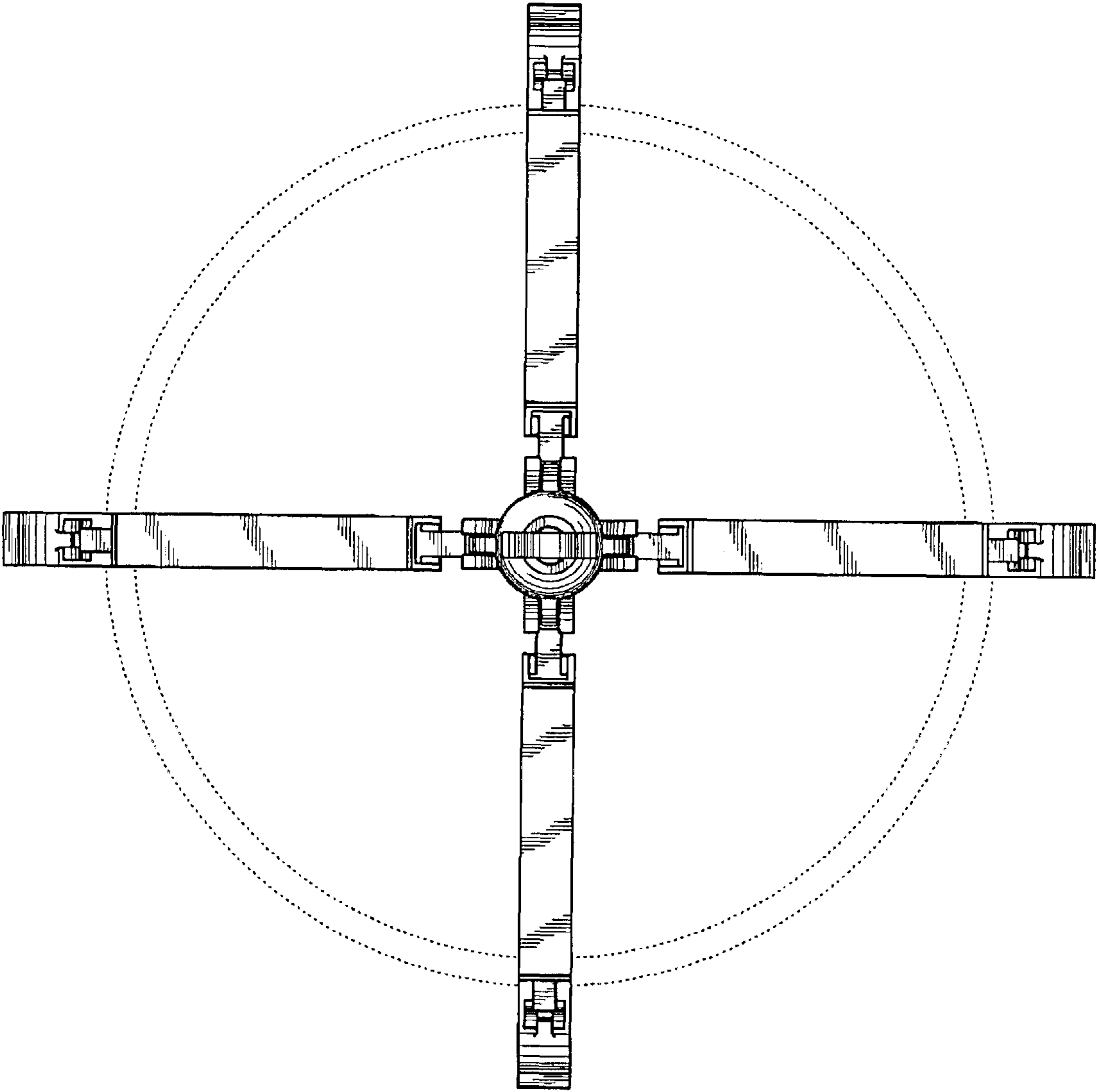


Fig.5

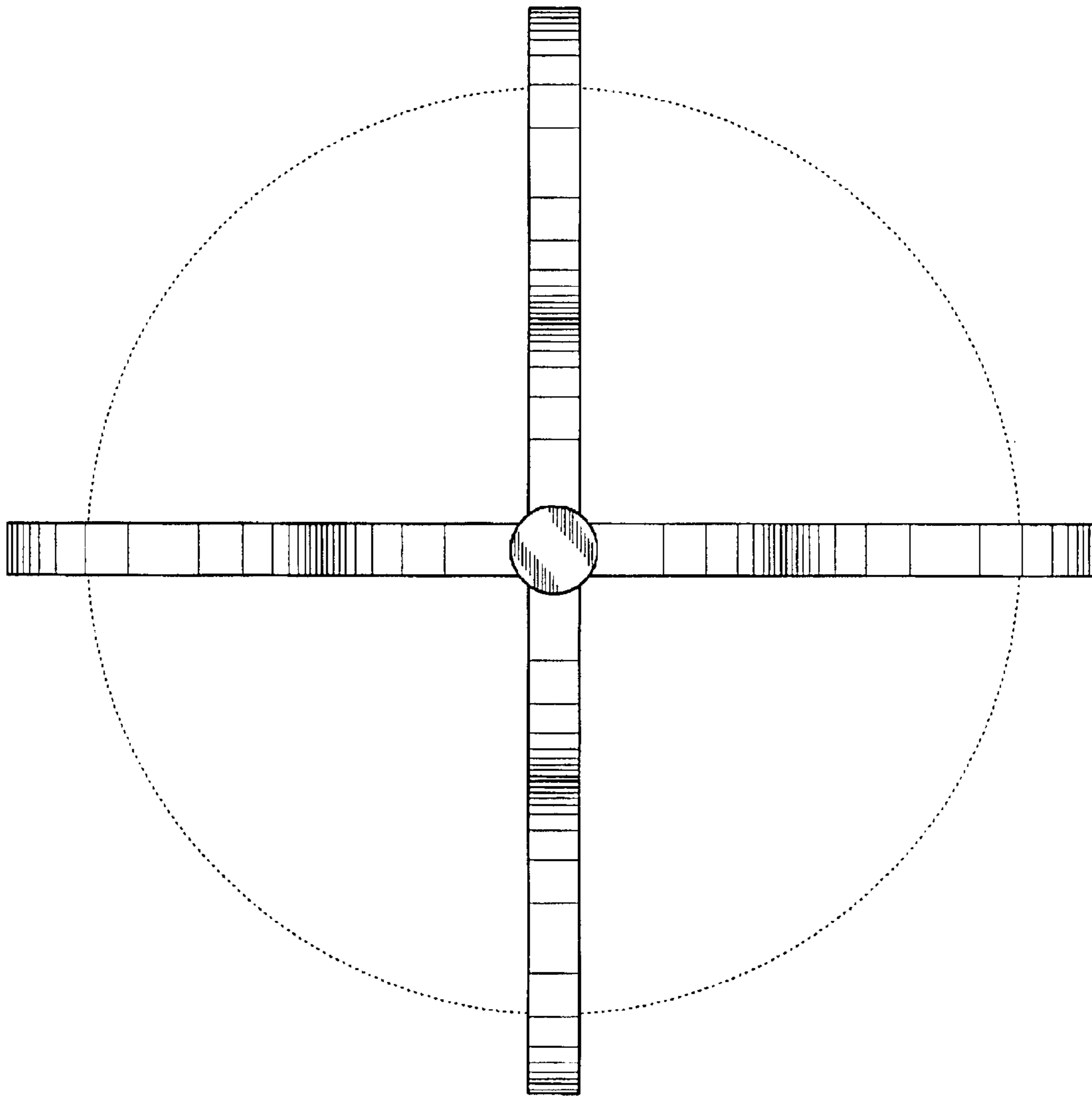


Fig.6