

US00D500161S

(12) **United States Design Patent** (10) **Patent No.:** **US D500,161 S**  
**Bucher et al.** (45) **Date of Patent:** **\*\* Dec. 21, 2004**

(54) **COMBINATION SOLAR POWERED  
OUTDOOR LANTERN AND STAKE MOUNT**

D475,797 S 6/2003 Cheong ..... D26/37  
D478,684 S \* 8/2003 DiPasquale et al. .... D26/72

(75) Inventors: **Charles E. Bucher**, Valrico, FL (US);  
**John C. Bucher**, Ft. Lauderdale, FL  
(US)

(73) Assignee: **King of Fans, Inc.**, Ft. Lauderdale, FL  
(US)

(\*\*) Term: **14 Years**

(21) Appl. No.: **29/194,869**

(22) Filed: **Dec. 2, 2003**

**Related U.S. Application Data**

(62) Division of application No. 29/183,997, filed on Jun. 19,  
2003, now Pat. No. Des. 495,817.

(51) **LOC (7) Cl.** ..... **26-05**

(52) **U.S. Cl.** ..... **D26/71; D26/67**

(58) **Field of Search** ..... D26/24, 67-73,  
D26/80, 82, 84-92, 128; 362/145, 147,  
153, 153.1, 186, 257, 276, 312, 330, 351,  
354, 358, 361-363, 431-433, 806

(56) **References Cited**

**U.S. PATENT DOCUMENTS**

D360,048 S	*	7/1995	Messina, Jr.	.....	D26/67
D421,504 S		3/2000	Meck et al.	.....	D26/67
D421,814 S		3/2000	Meck et al.	.....	D26/67
D422,106 S		3/2000	Meck et al.	.....	D26/87
D427,352 S		6/2000	Miranda	.....	D26/72
6,305,826 B1	*	10/2001	Yang	.....	362/351
D458,702 S	*	6/2002	Ellis	.....	D26/68
D468,470 S	*	1/2003	Chen	.....	D26/67
D469,907 S	*	2/2003	Chen	.....	D26/67

**OTHER PUBLICATIONS**

Design House Lighting Catalog; p. 116; item 6096VG/  
6099BZ.□□.\*

Rocksapes, Inc. Landscape Illumination Catalog; p. 25;  
item H91-7-AZMW.□□.\*

Seagull Lighting Products, Inc. Catalog 2001; p. 298; items  
8207-17 and 8513-17.\*

Intermatic Incorporated, Intermatic website. Copyright  
2000; Malibu lighting, 10 pages, Jun. 13, 2003.

Intermatic Home Page, Intermatic website. Copyright 2003;  
Malibu lighting, 34 pages, Jun. 13, 2003.

\* cited by examiner

*Primary Examiner*—Clare E Heflin

(74) *Attorney, Agent, or Firm*—Brian S. Steinberger; Law  
Offices of Brian S. Steinberger, P.A.

(57) **CLAIM**

The ornamental design of a combination solar powered  
outdoor lantern and stake mount, as shown and described.

**DESCRIPTION**

FIG. 1 is a perspective view of a combination solar powered  
outdoor lantern and stake mount being shown broken away  
to depict indeterminate length.

FIG. 2 is a front view thereof.

FIG. 3 is an enlarged top plan view of the lamp portion  
thereof, the stake mount being removed for ease of illustra-  
tion only; and,

FIG. 4 is an enlarged bottom plan view of the lamp portion  
thereof, the stake mount being removed for ease of illustra-  
tion only.

**1 Claim, 4 Drawing Sheets**

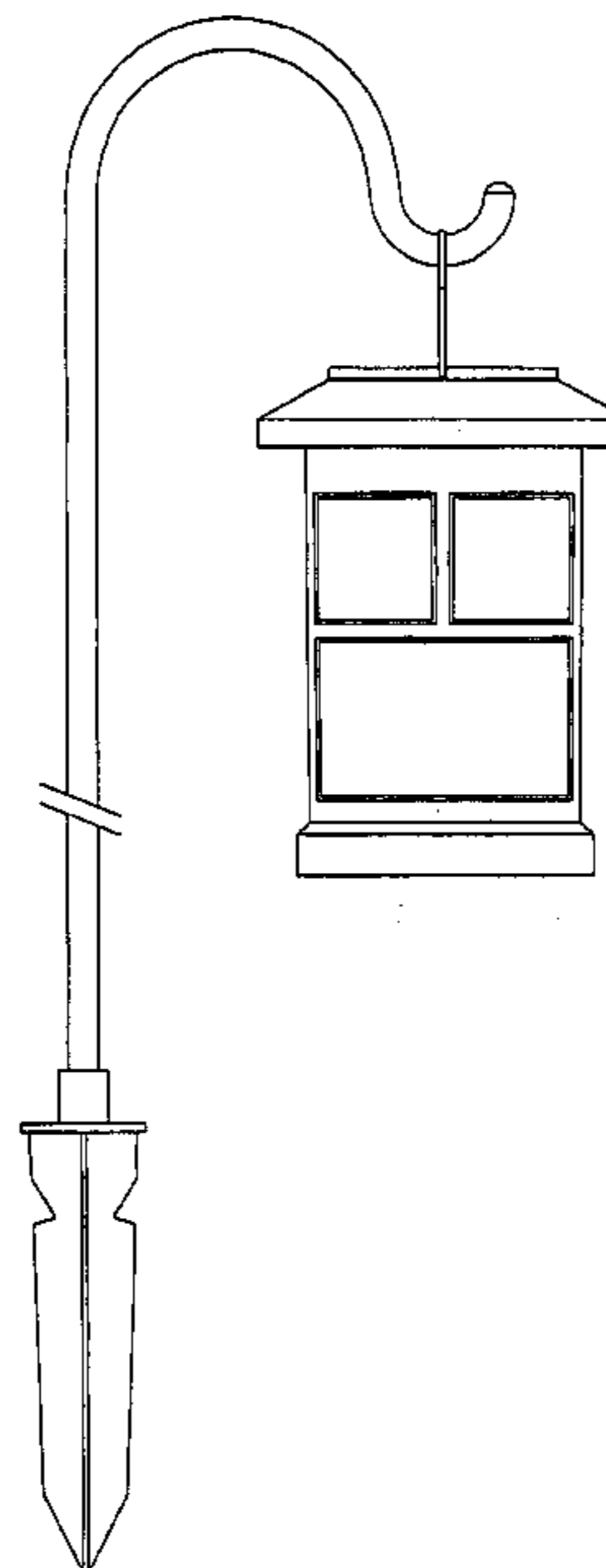
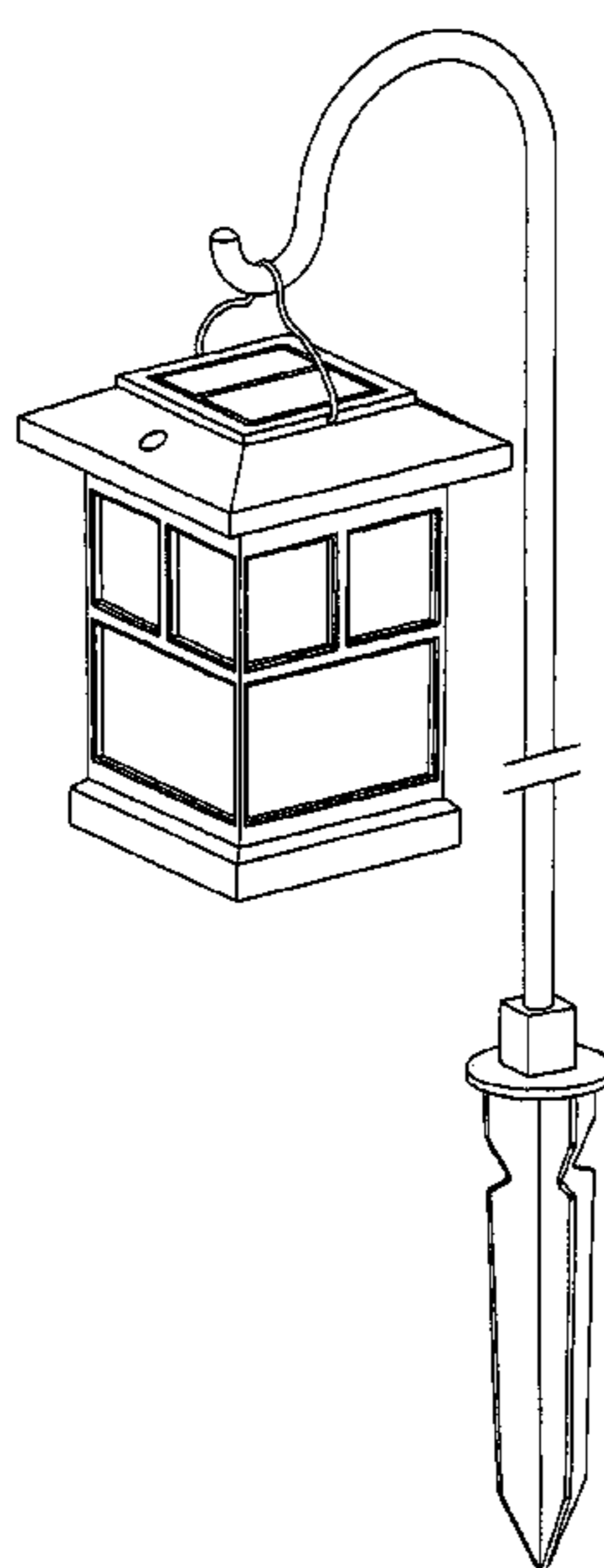


Fig. 1

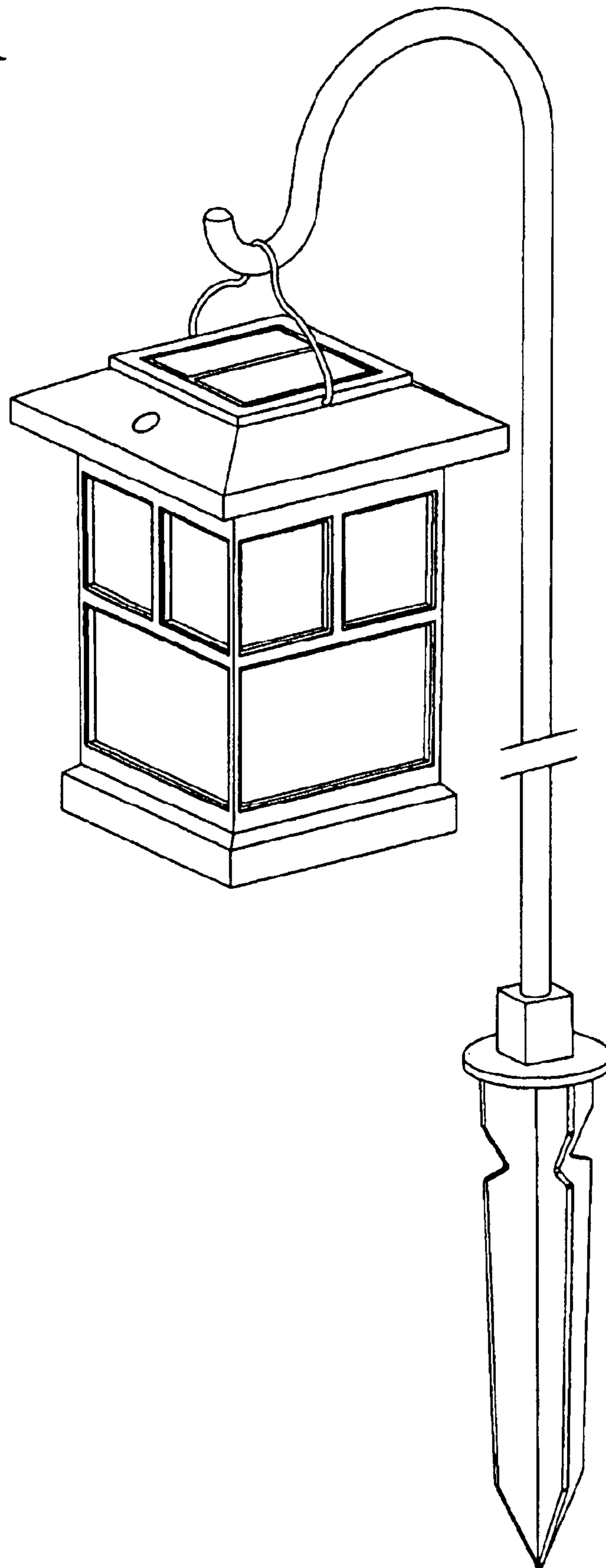


Fig.2

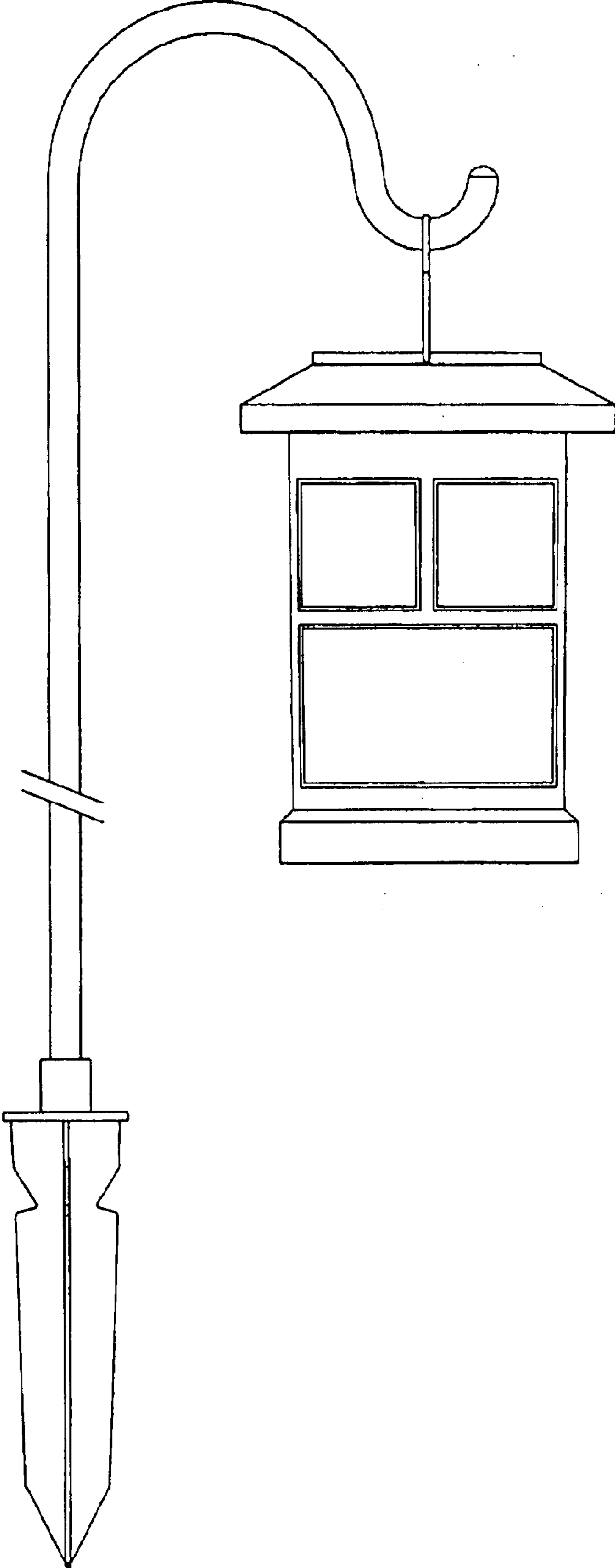


Fig.3

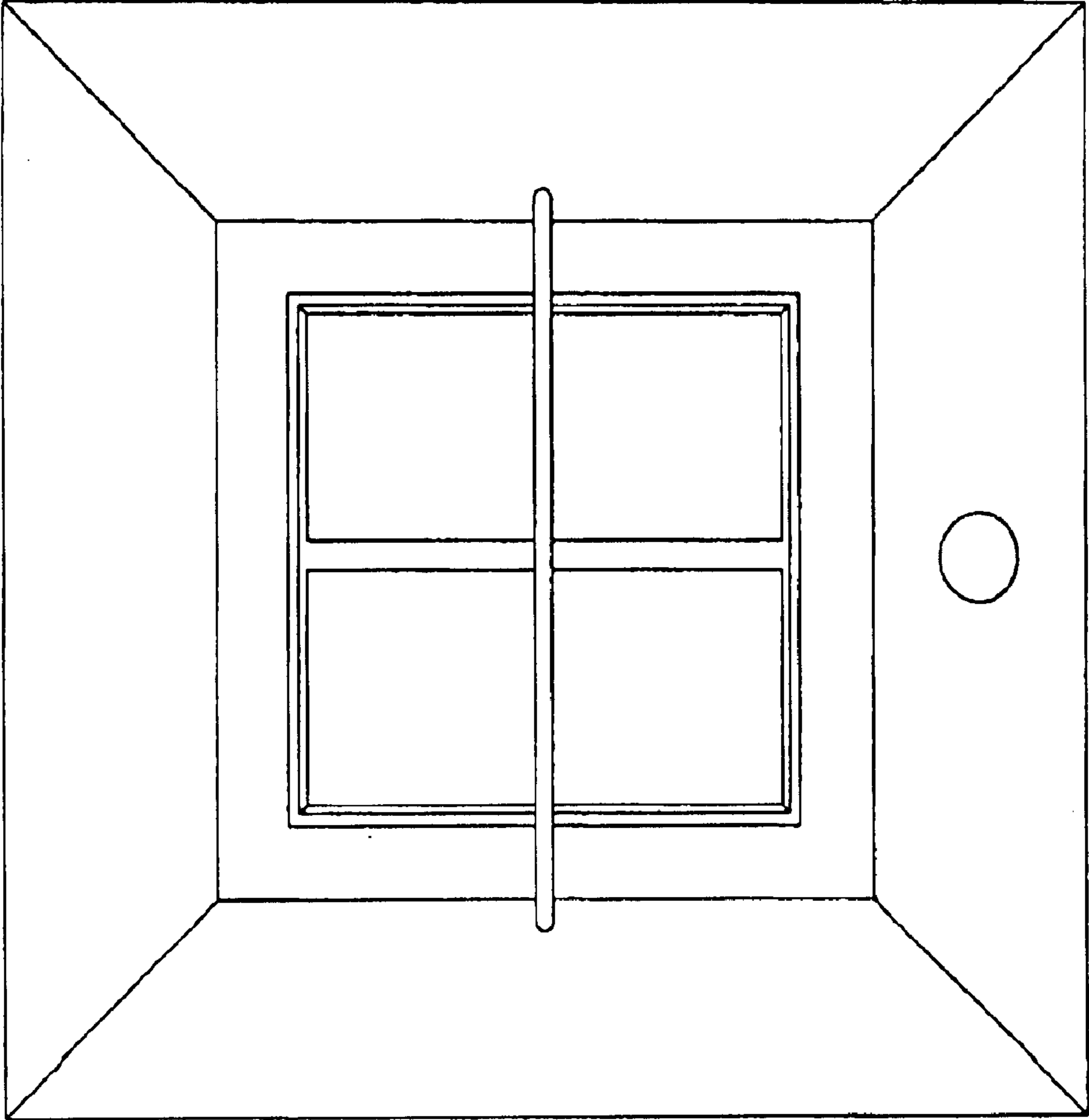


Fig.4

