

US00D500154S

(12) **United States Design Patent**  
**Lee**

(10) **Patent No.: US D500,154 S**

(45) **Date of Patent: \*\* Dec. 21, 2004**

(54) **TORCH**

D426,006 S \* 5/2000 Yuen ..... D26/42  
D486,257 S \* 2/2004 Kingston et al. .... D26/42

(75) Inventor: **Peter Lee**, Kowloon (HK)

\* cited by examiner

(73) Assignee: **Hip Shing Fat Co., Ltd.**, Kowloon (HK)

*Primary Examiner*—Marcus A. Jackson  
(74) *Attorney, Agent, or Firm*—Carmody & Torrance LLP

(\*\*) Term: **14 Years**

(57) **CLAIM**

(21) Appl. No.: **29/196,943**

The ornamental design for a torch, as shown and described.

(22) Filed: **Jan. 7, 2004**

**DESCRIPTION**

(30) **Foreign Application Priority Data**

Sep. 2, 2003 (GB) ..... 3014262

FIG. 1 is a front perspective view of my new design for a torch from above and the front;

(51) **LOC (7) Cl.** ..... **26-02**

FIG. 2 is a rear view of the torch;

(52) **U.S. Cl.** ..... **D26/42**

FIG. 3 is a plan view of the torch from above;

(58) **Field of Search** ..... D26/37-50; 362/157, 362/158, 171-174, 183-208

FIG. 4 is a plan view of the torch from underneath;

FIG. 5 is a view of the torch from one side;

FIG. 6 is a front perspective view of the torch from above and the front with the bulb holder of the torch in a tilted position; and,

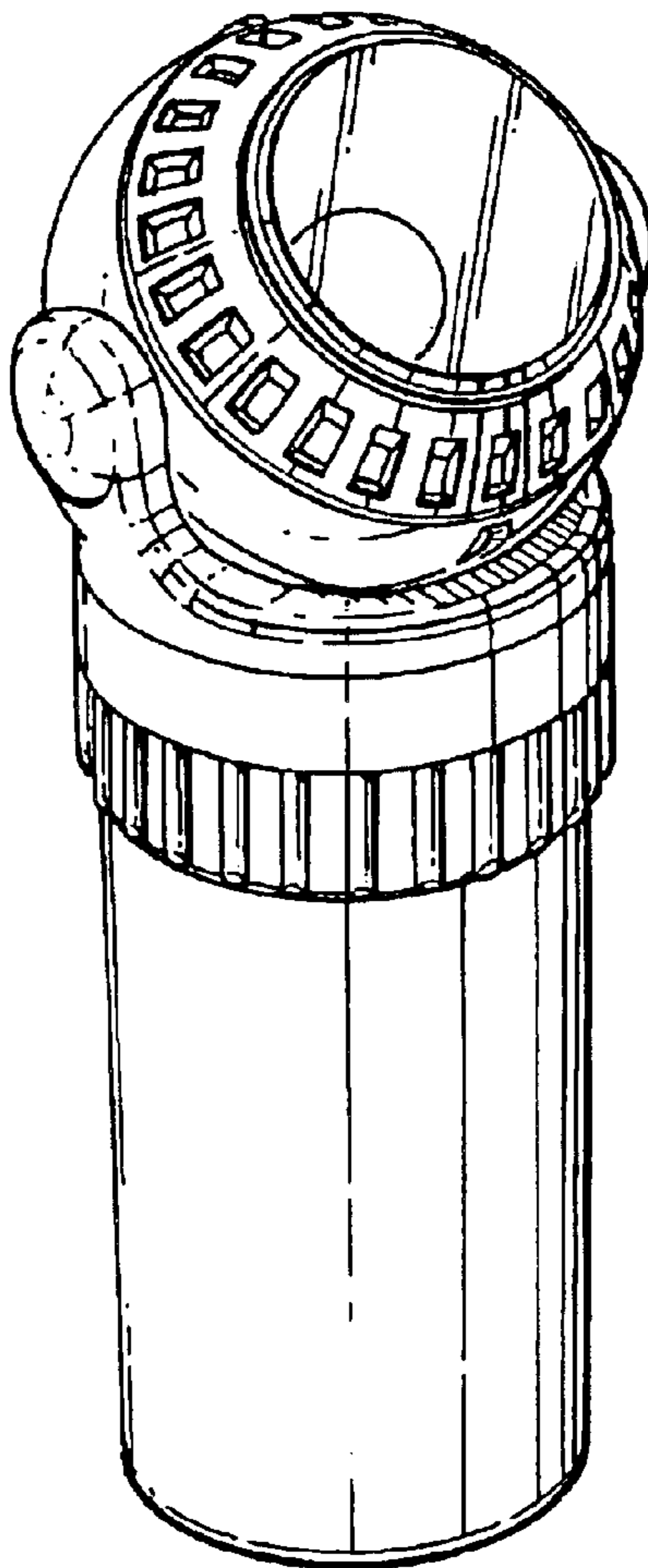
FIG. 7 is a view from one side of the torch with the torch head separated from the torch body.

(56) **References Cited**

**U.S. PATENT DOCUMENTS**

D356,649 S \* 3/1995 Yuen ..... D26/42  
D421,143 S \* 2/2000 Kovacic et al. .... D26/42

**1 Claim, 2 Drawing Sheets**



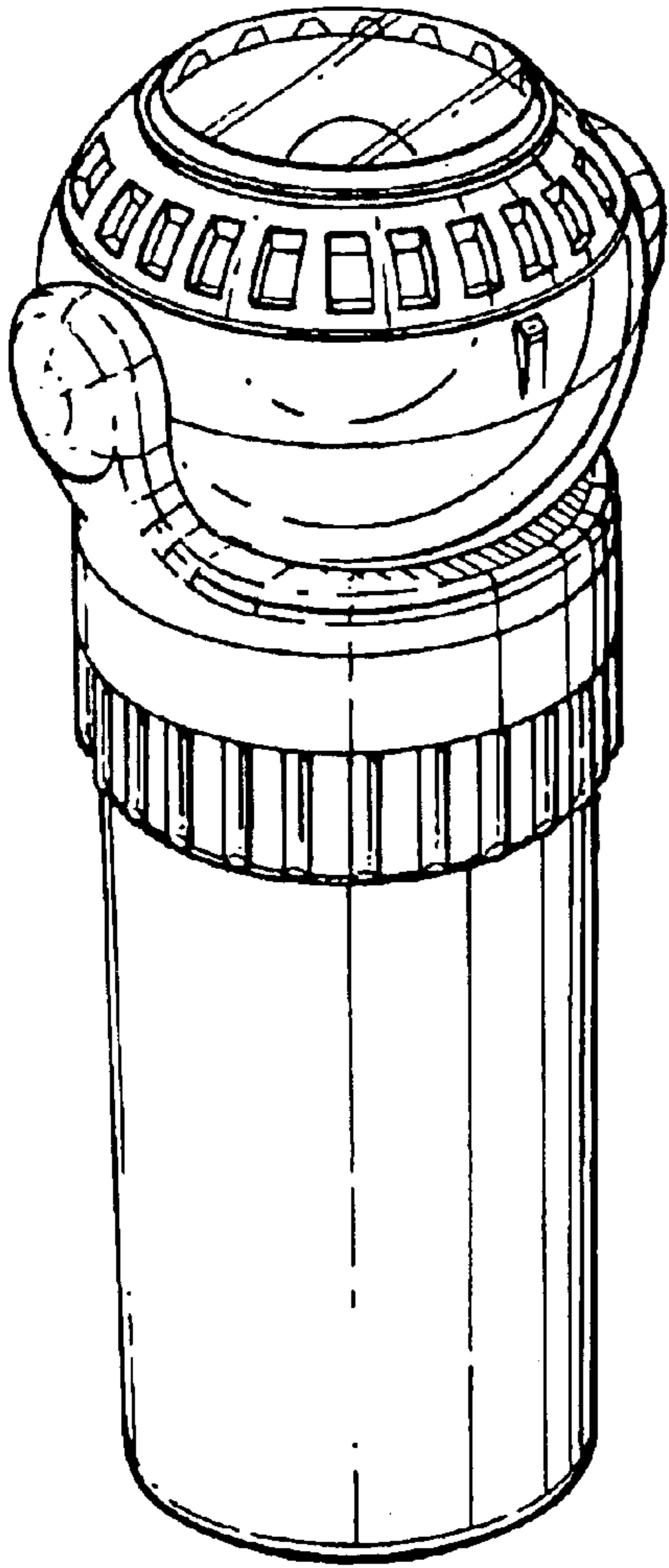


Fig.1.

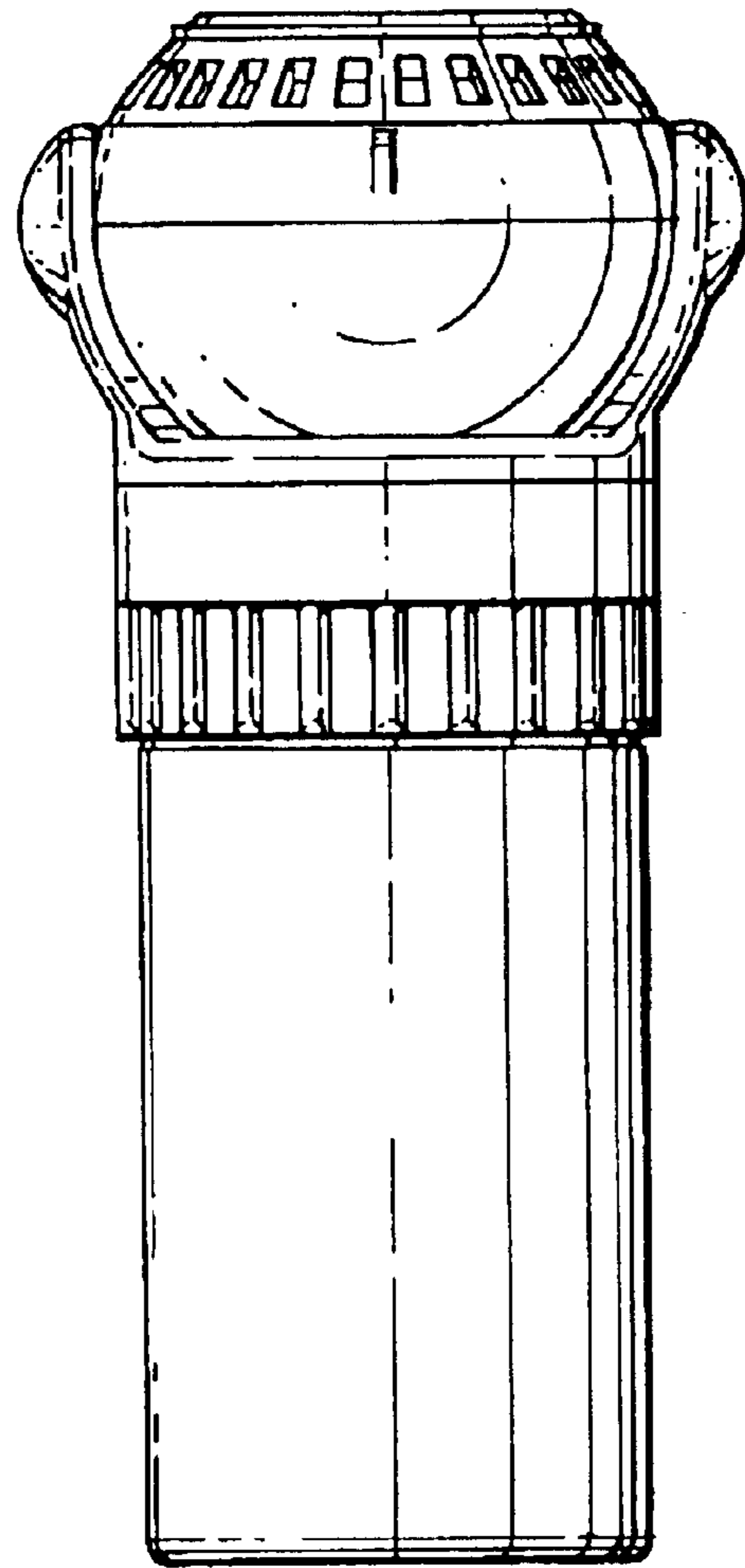


Fig.2.

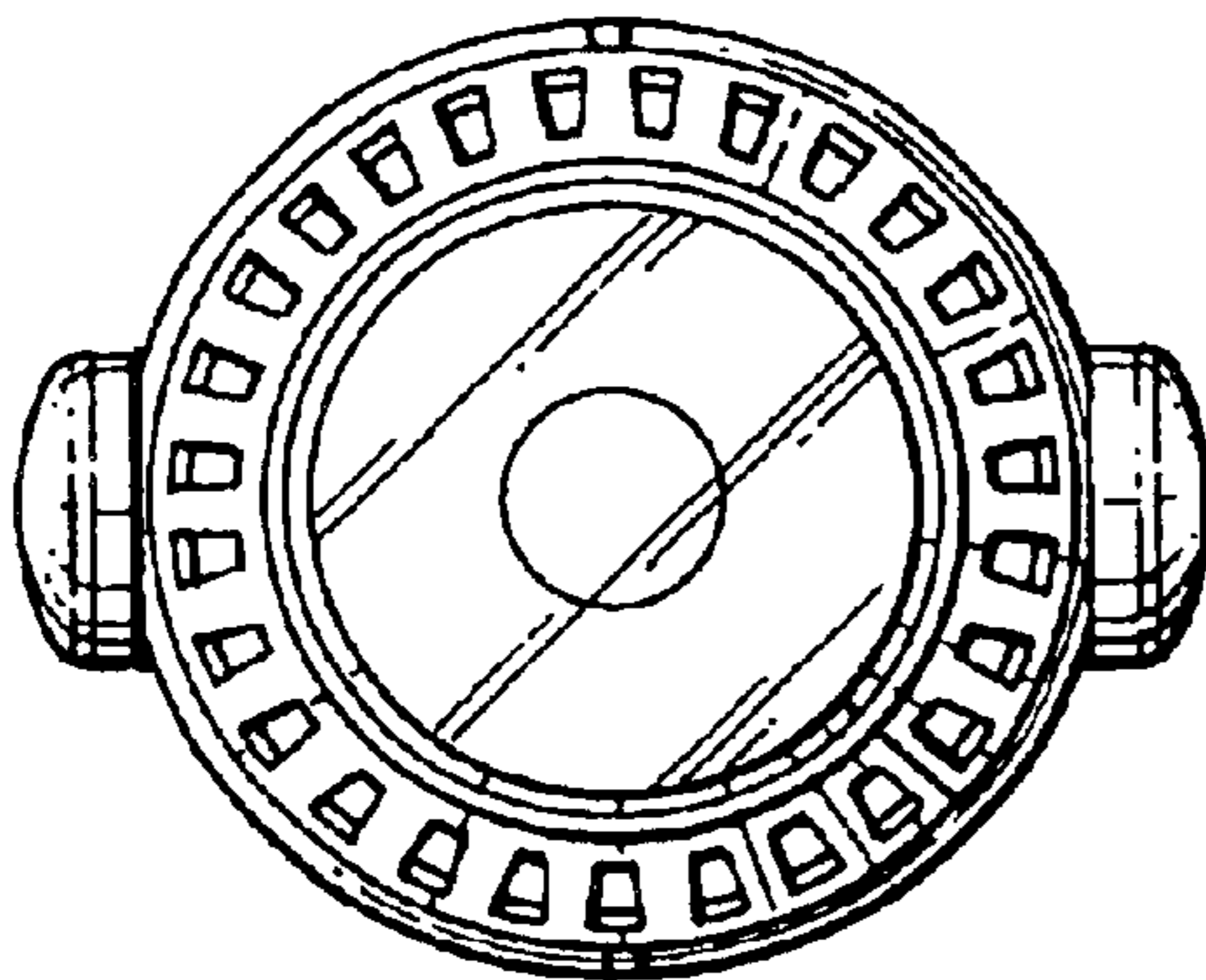


Fig.3.

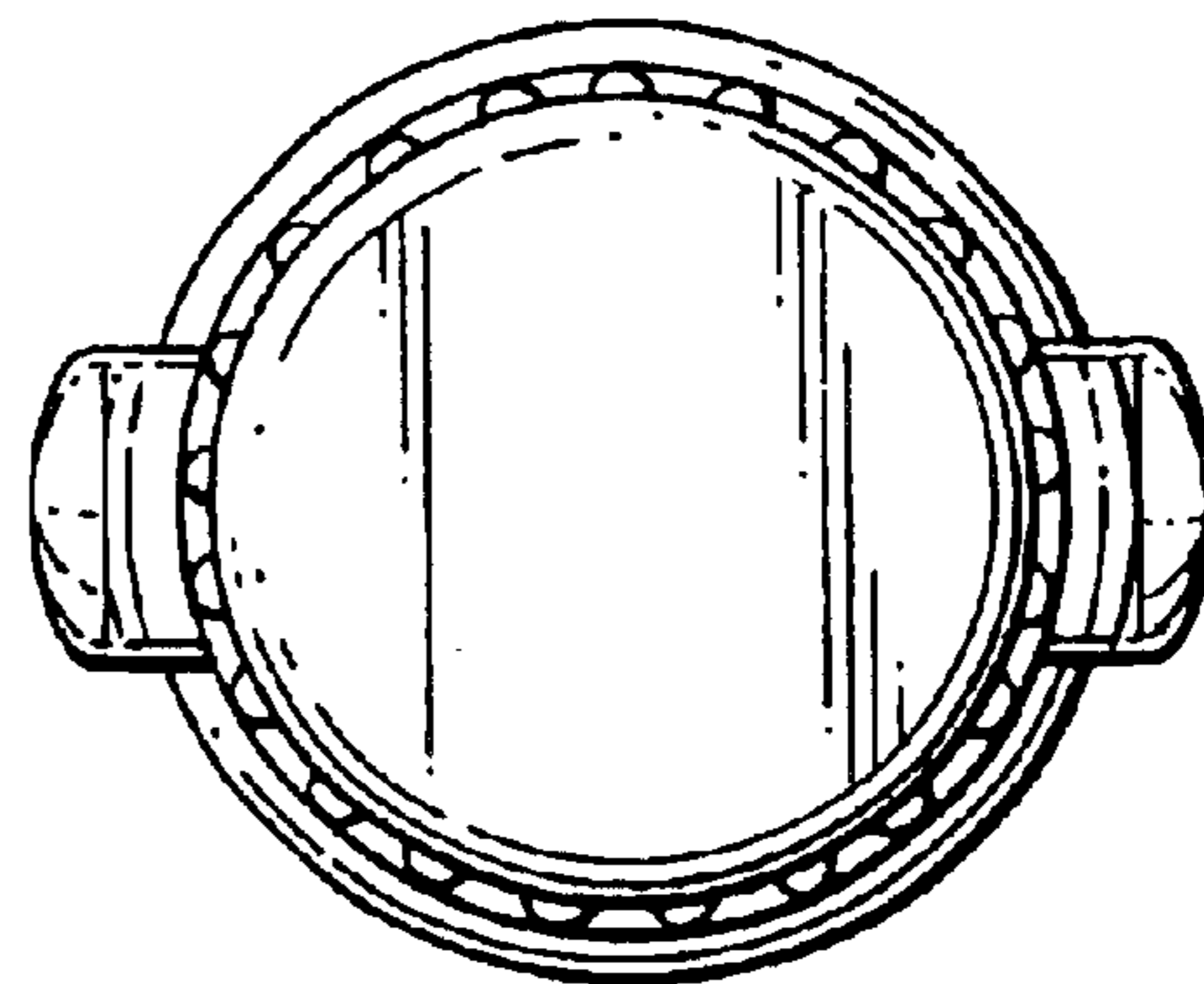


Fig.4.

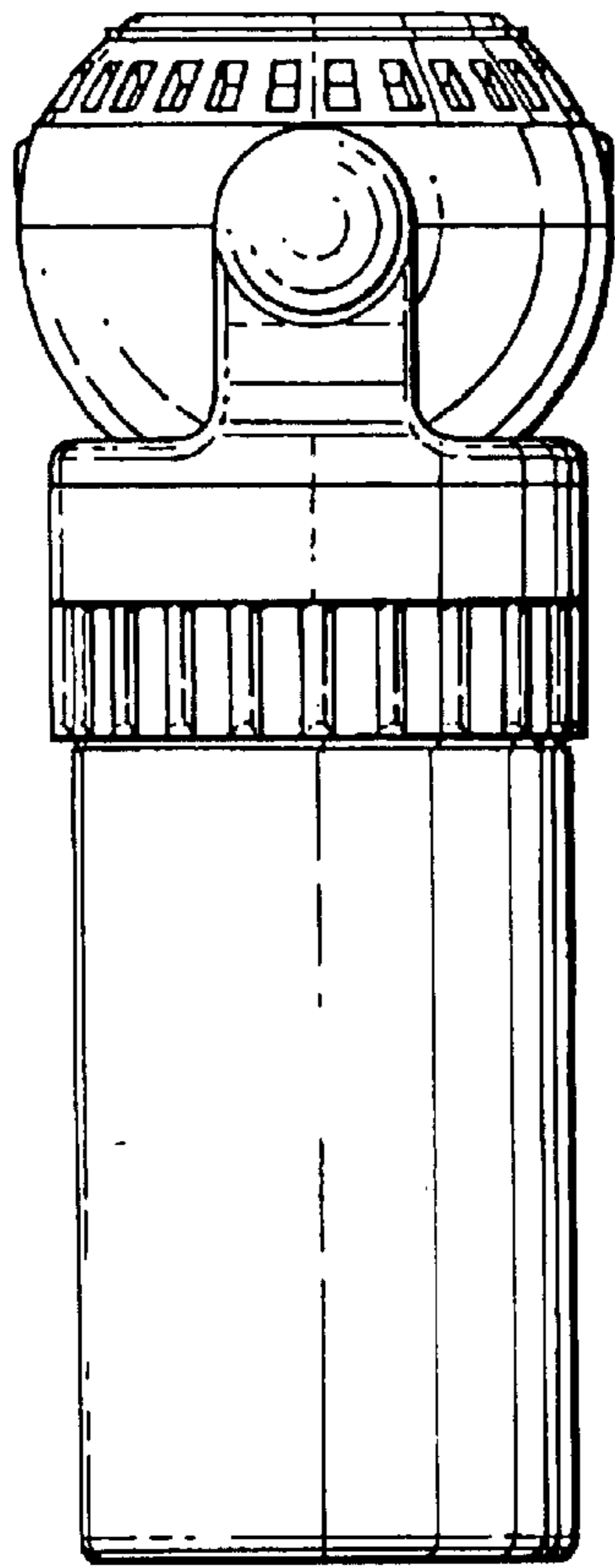


Fig.5.

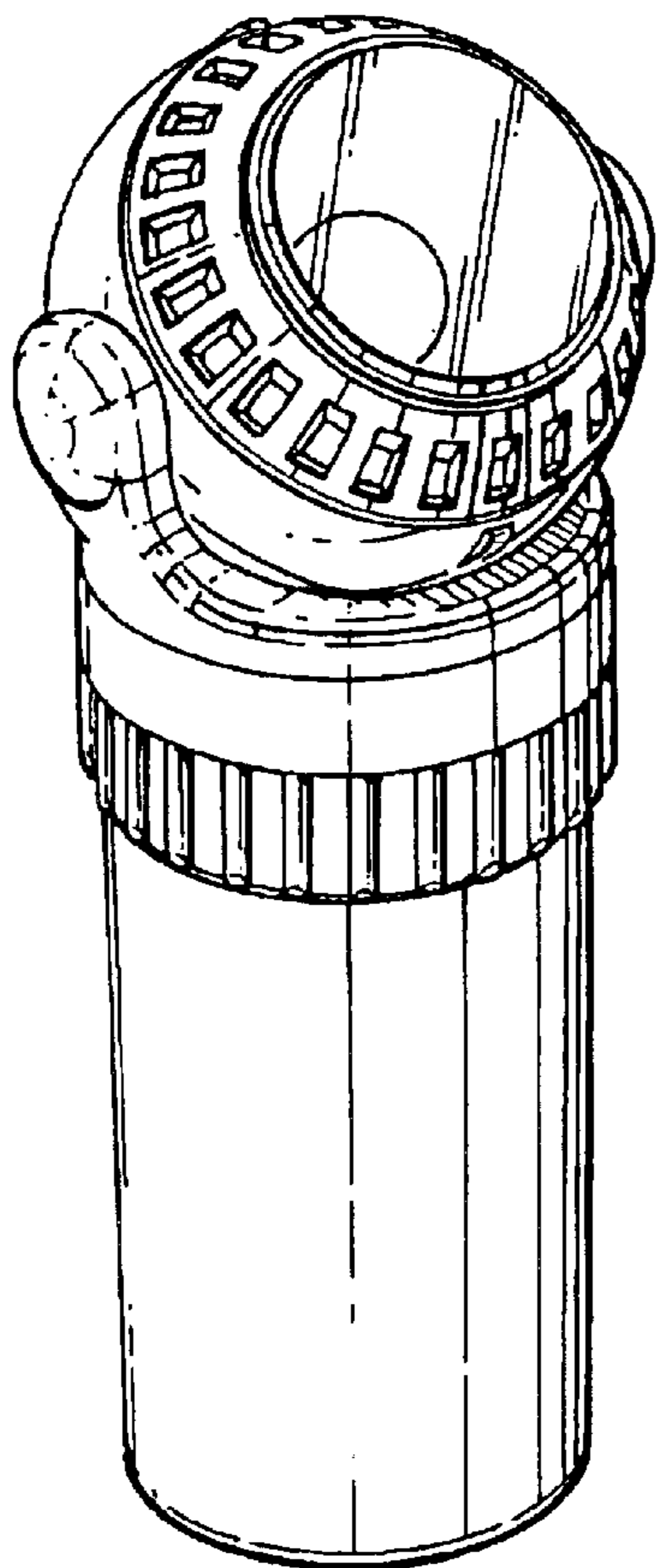
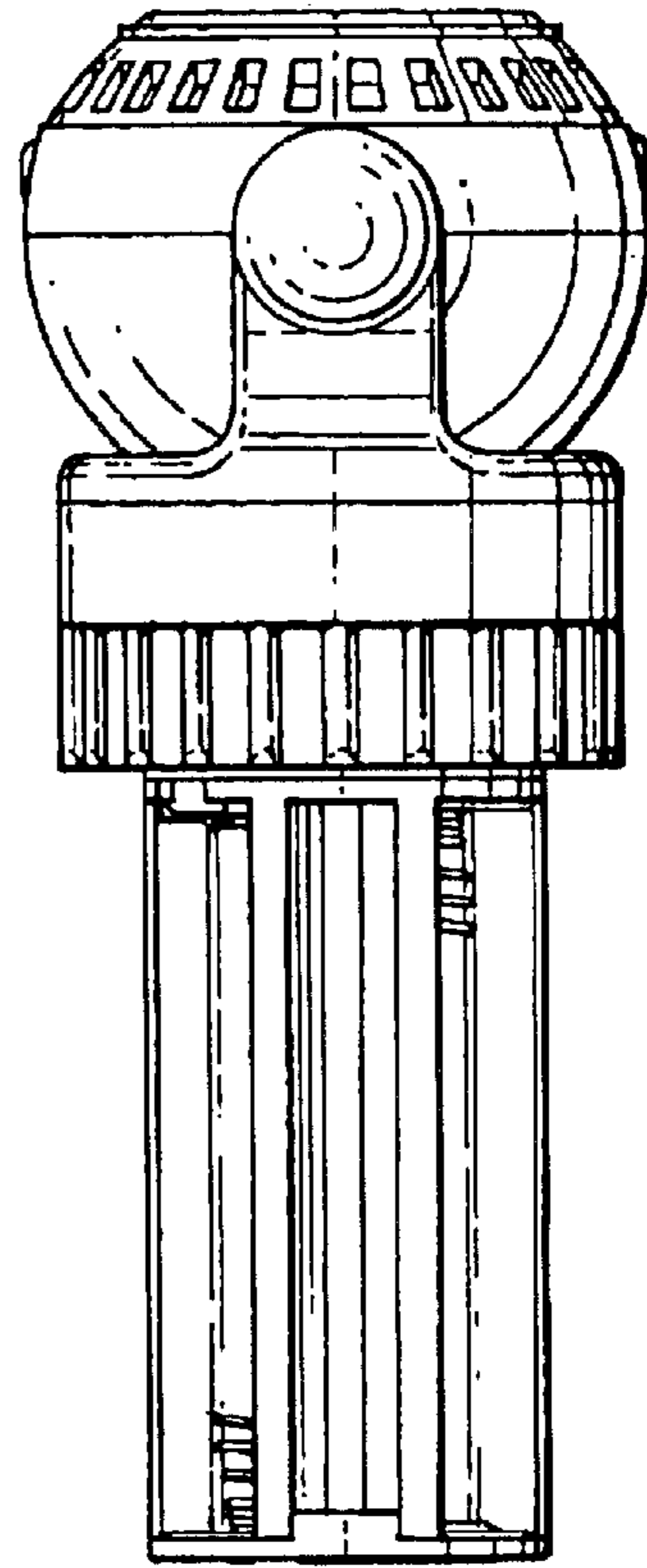


Fig.6.

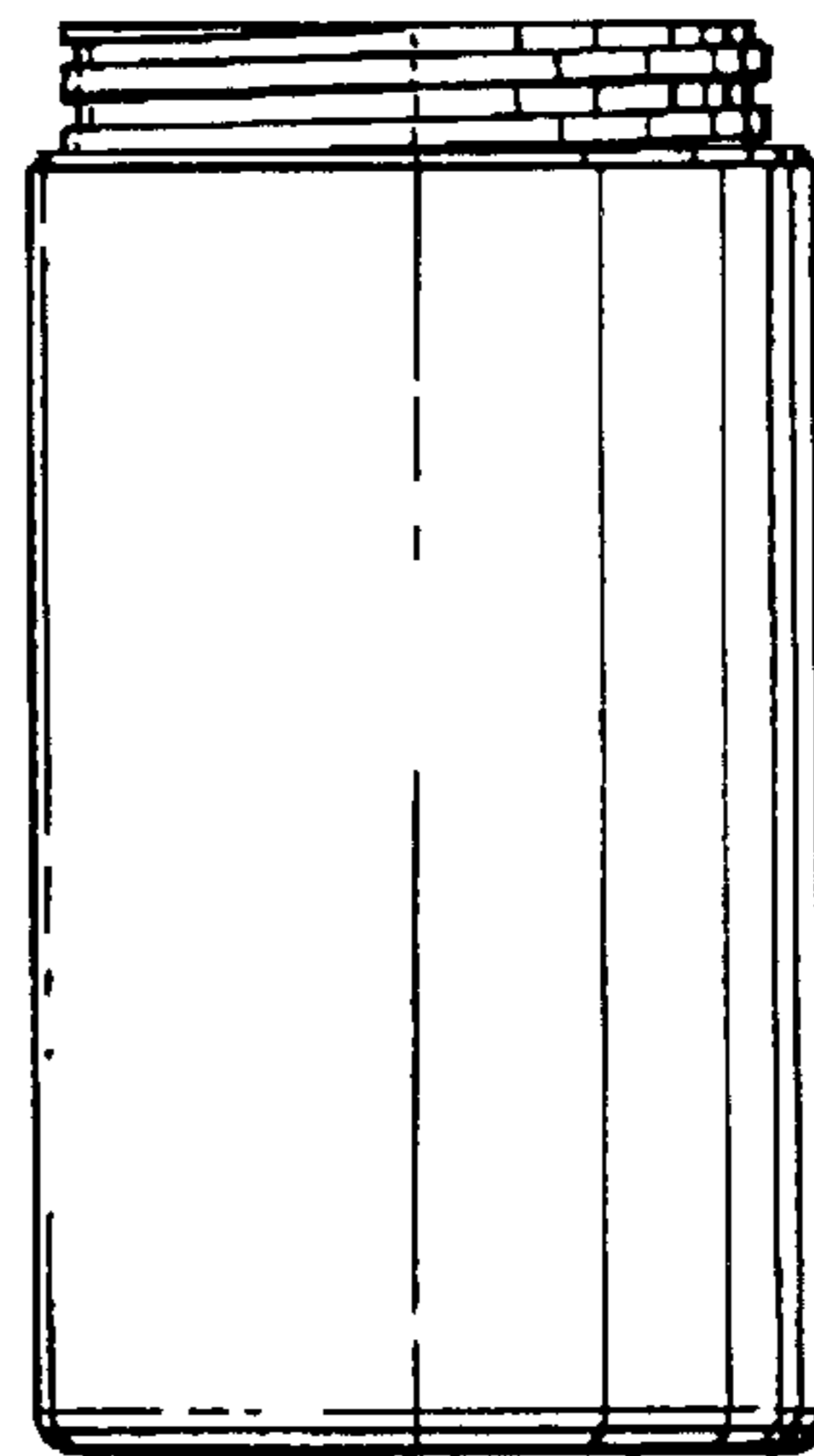


Fig.7.