

US00D500150S

(12) **United States Design Patent**  
**Peddada**

(10) **Patent No.:** **US D500,150 S**

(45) **Date of Patent:** **\*\* Dec. 21, 2004**

(54) **BOWL AND CANDLE STAND**

(76) **Inventor:** **Raju Peddada**, 508 E. Lincoln Ave.,  
Des Plaines, IL (US) 60018

(\*\*) **Term:** **14 Years**

(21) **Appl. No.:** **29/186,993**

(22) **Filed:** **Jul. 24, 2003**

(51) **LOC (7) Cl.** ..... **26-01**

(52) **U.S. Cl.** ..... **D26/10**

(58) **Field of Search** ..... D26/9, 10, 142,  
D26/13, 15; 431/211, 291, 295

(56) **References Cited**

**U.S. PATENT DOCUMENTS**

D167,924 S	*	10/1952	Bisharat	.....	D26/15
D193,630 S	*	9/1962	Quistgaard	.....	D26/13
D236,532 S	*	8/1975	Holmgren-Exner	.....	D26/13
5,207,571 A	*	5/1993	Greenvurcel	.....	431/295
D361,632 S	*	8/1995	Ratia	.....	D26/10
D426,903 S	*	6/2000	Howard	.....	D26/13

\* cited by examiner

*Primary Examiner*—Robin V. Taylor

(74) *Attorney, Agent, or Firm*—Marshall E. Rosenberg

(57) **CLAIM**

The ornamental design for a bowl and candle stand, as shown and described.

**DESCRIPTION**

FIG. 1 is a side elevational view of the bowl and candle stand showing my new design.

FIG. 2 is a second side view of the bowl and candle stand shown in FIG. 1.

FIG. 3 is a third side view of the bowl and candle stand shown in FIG. 1.

FIG. 4 is a top view of the bowl and candle stand shown in FIG. 1.

FIG. 5 is a bottom view of the bowl and candle stand shown in FIG. 1.

FIG. 6 is an exploded side view of the bowl and candle stand shown in FIG. 1.

FIG. 7 is a top view of the bowl portion of the bowl and candle stand, with the candle stand portion removed; and,

FIG. 8 is a bottom view of the candle stand portion of the bowl and candle stand, with the bowl portion removed.

**1 Claim, 5 Drawing Sheets**

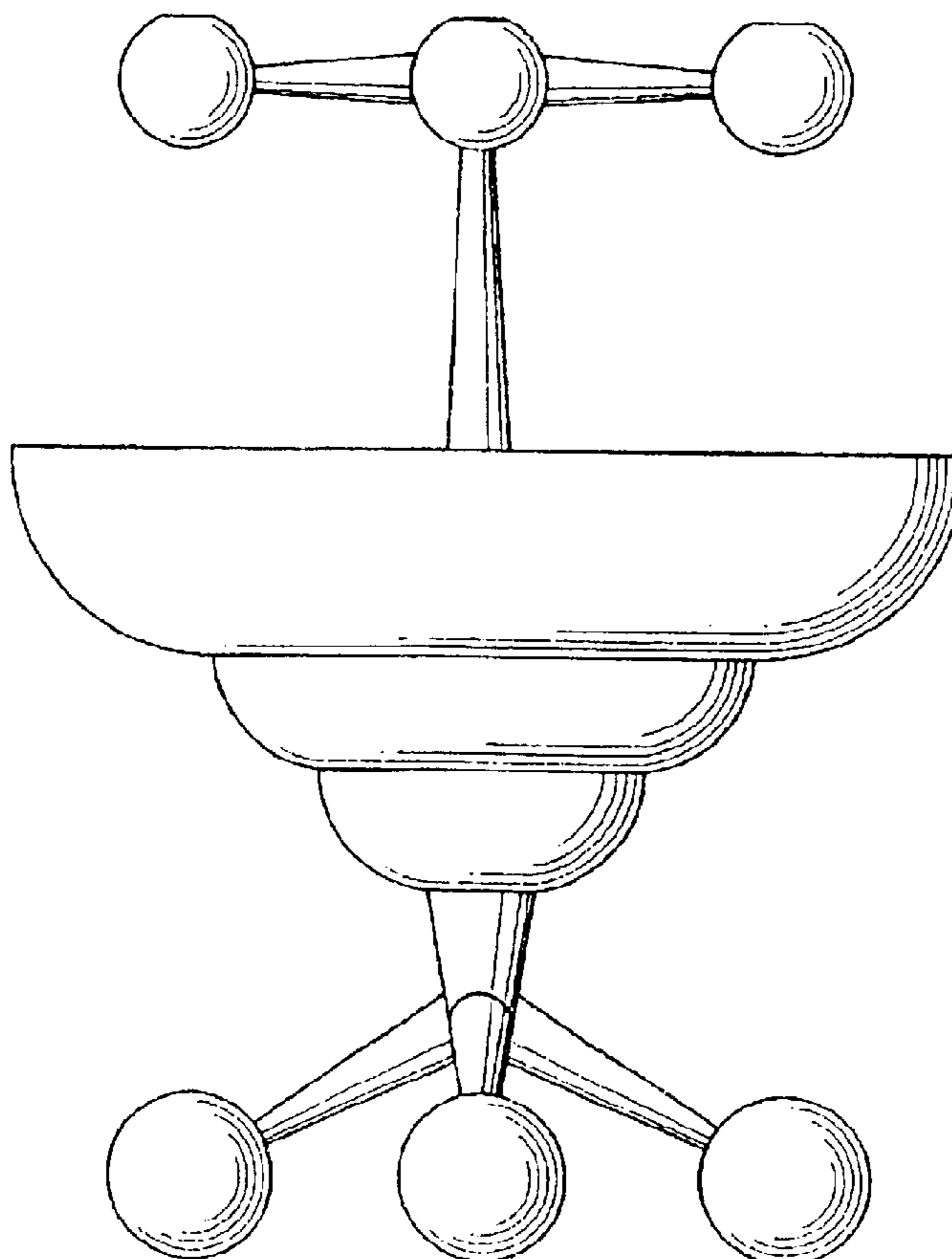


FIG. 2

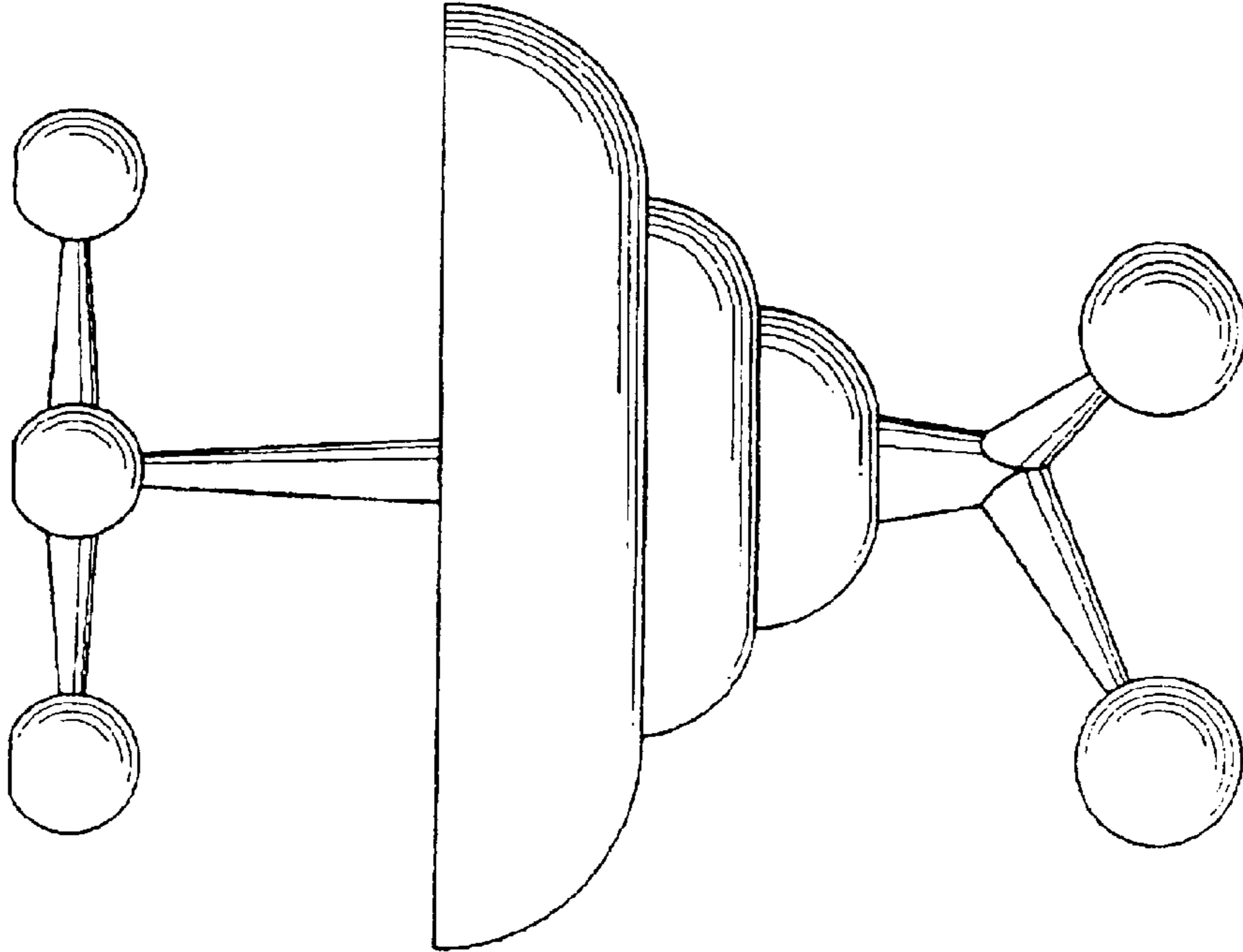


FIG. 1

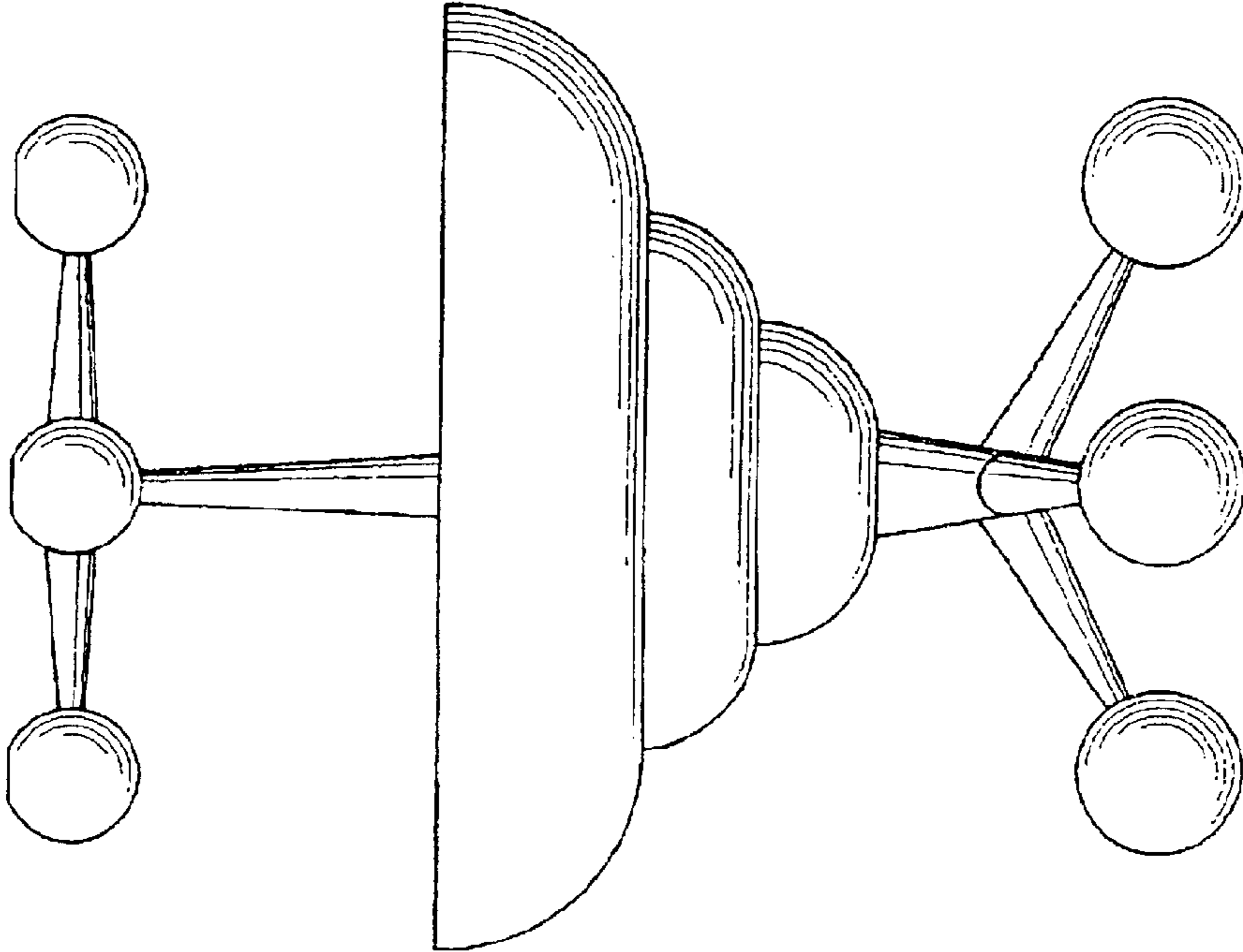


FIG. 4

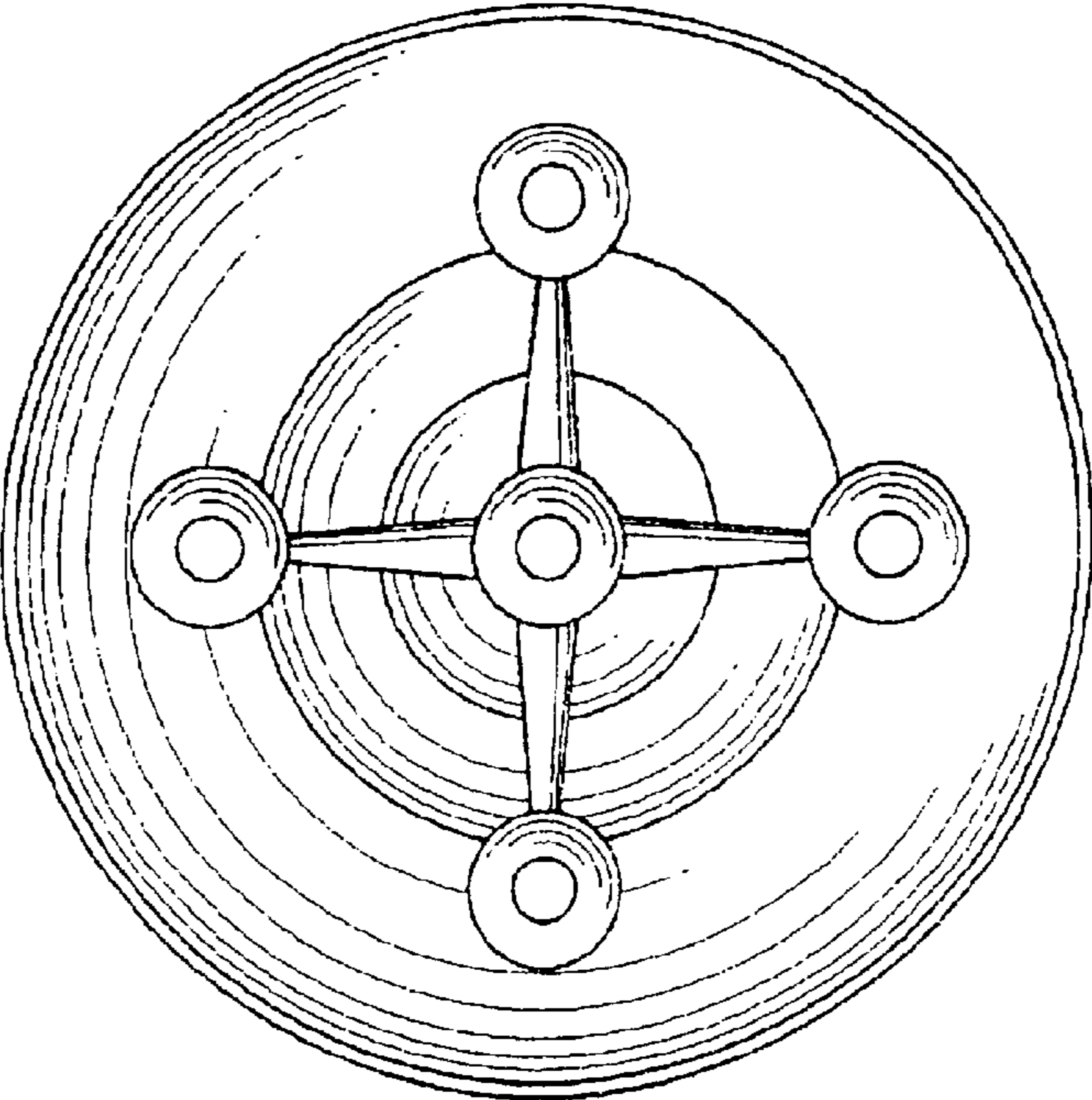
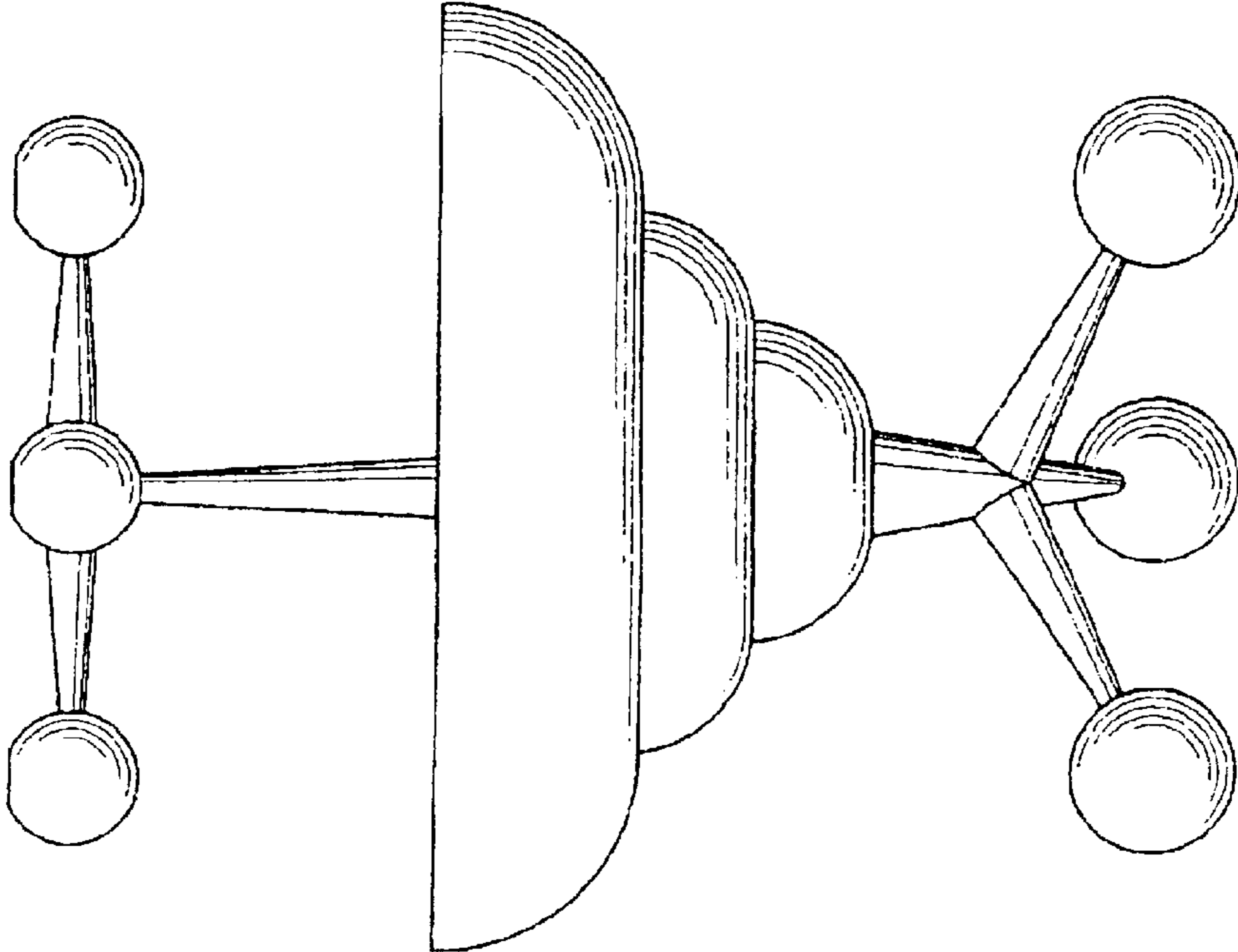


FIG. 3



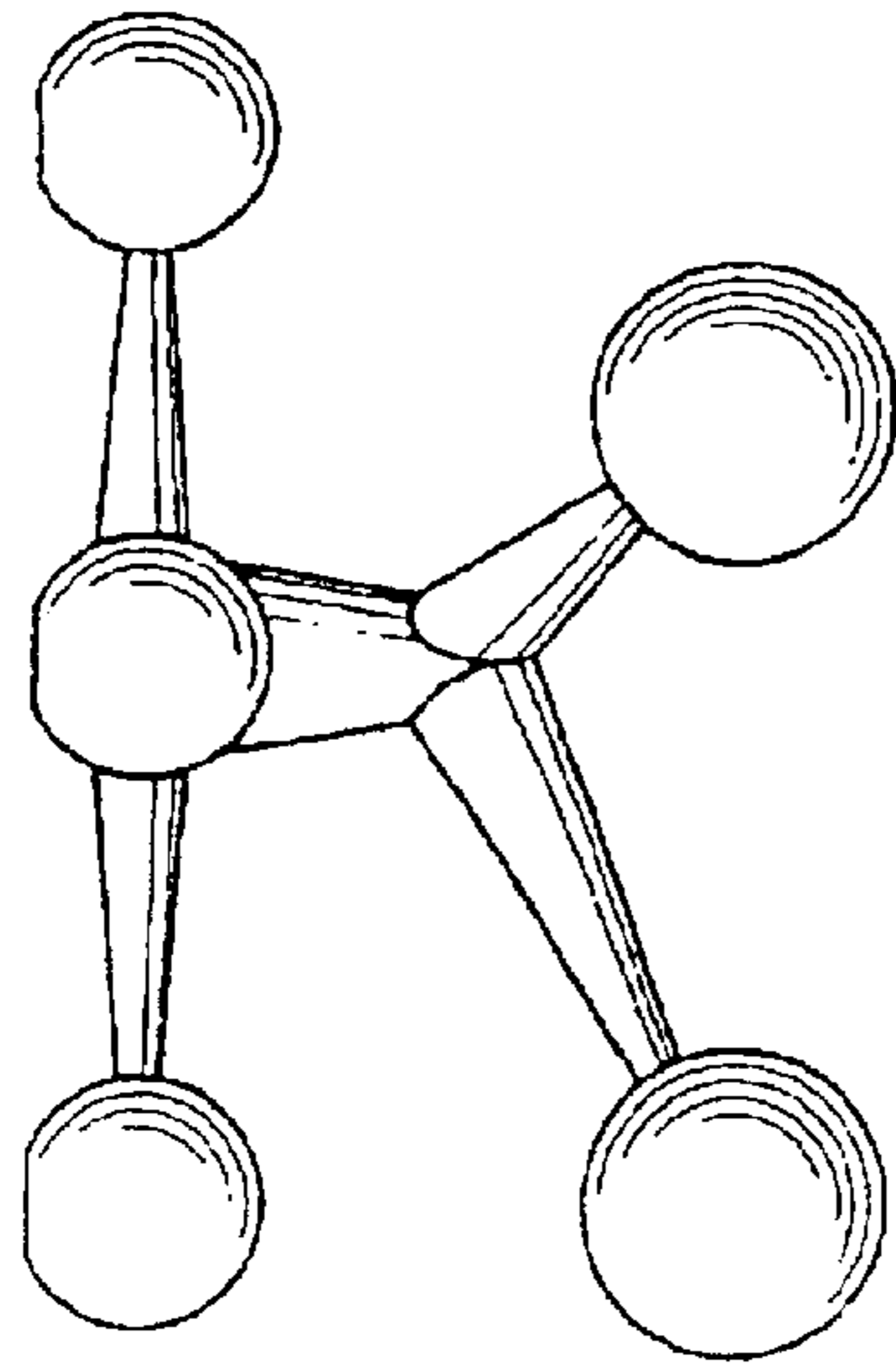


FIG. 9

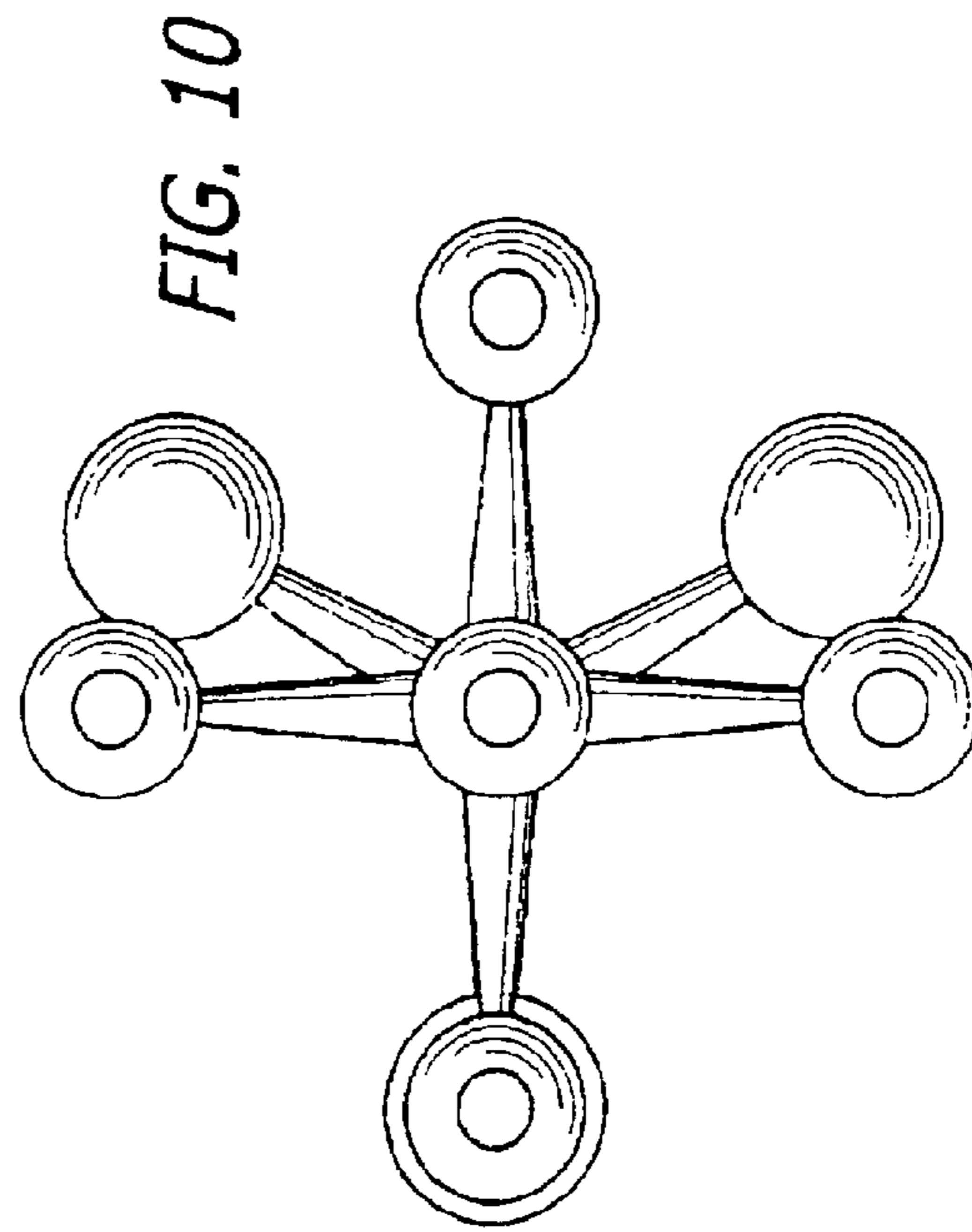


FIG. 10

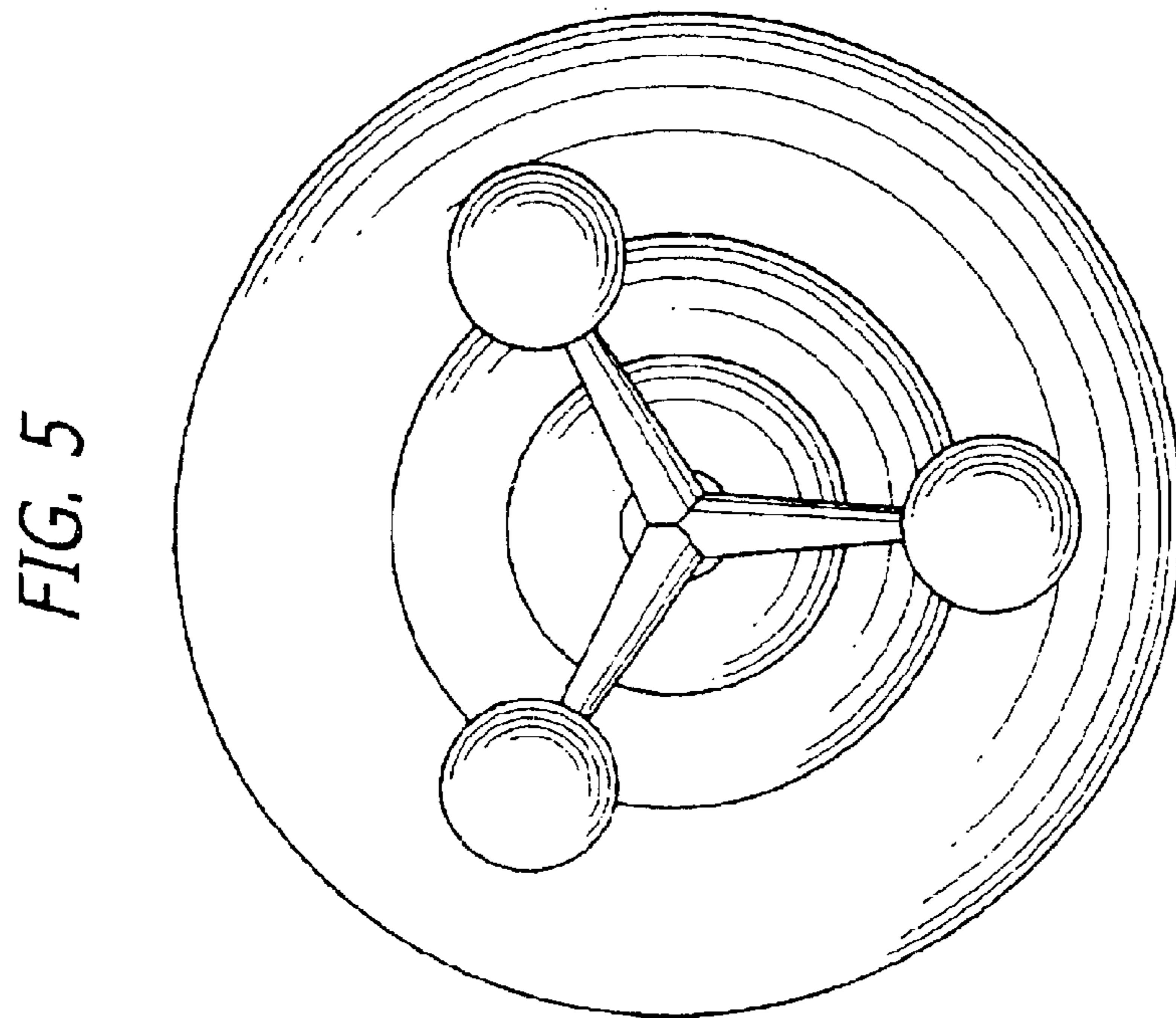
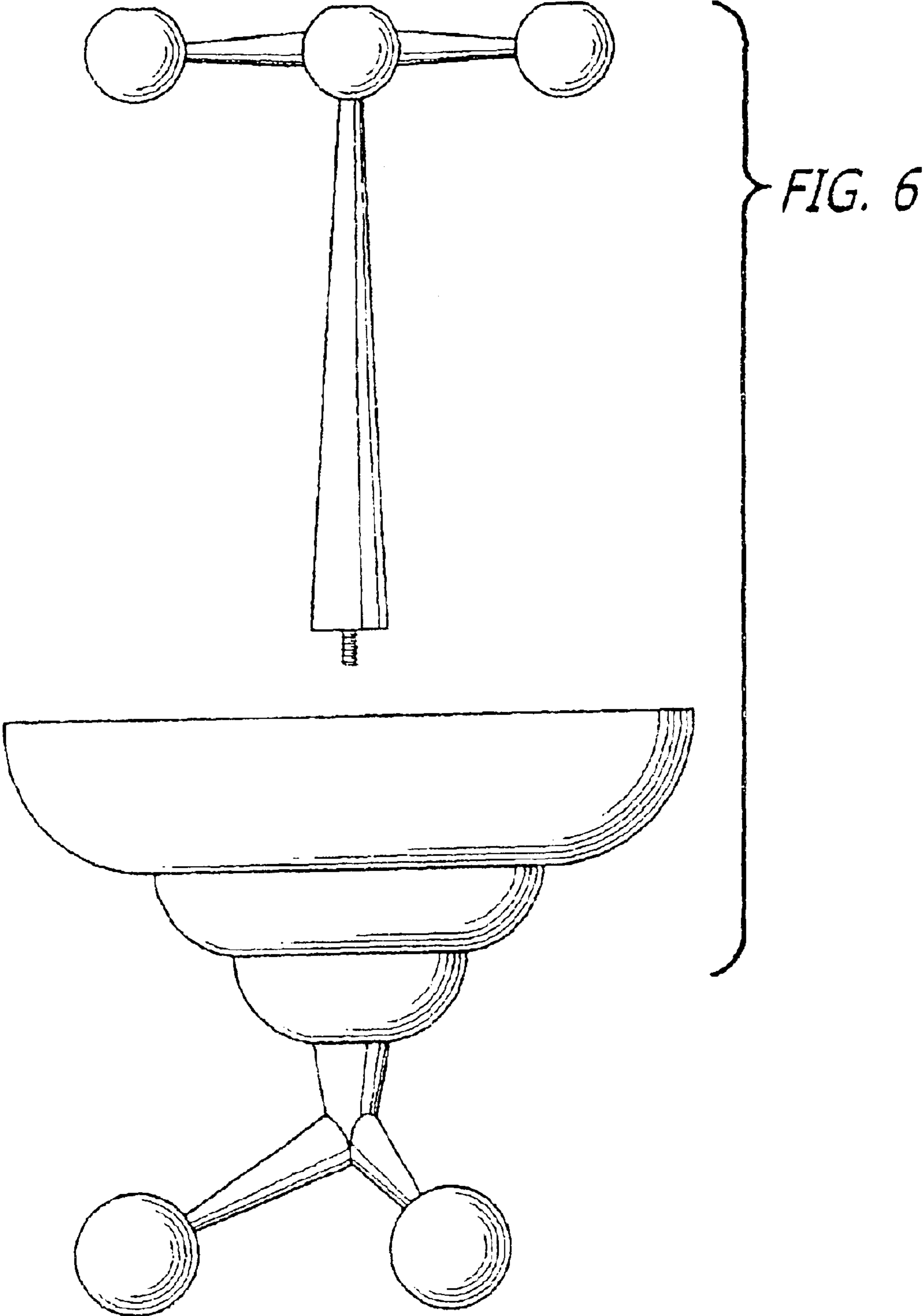
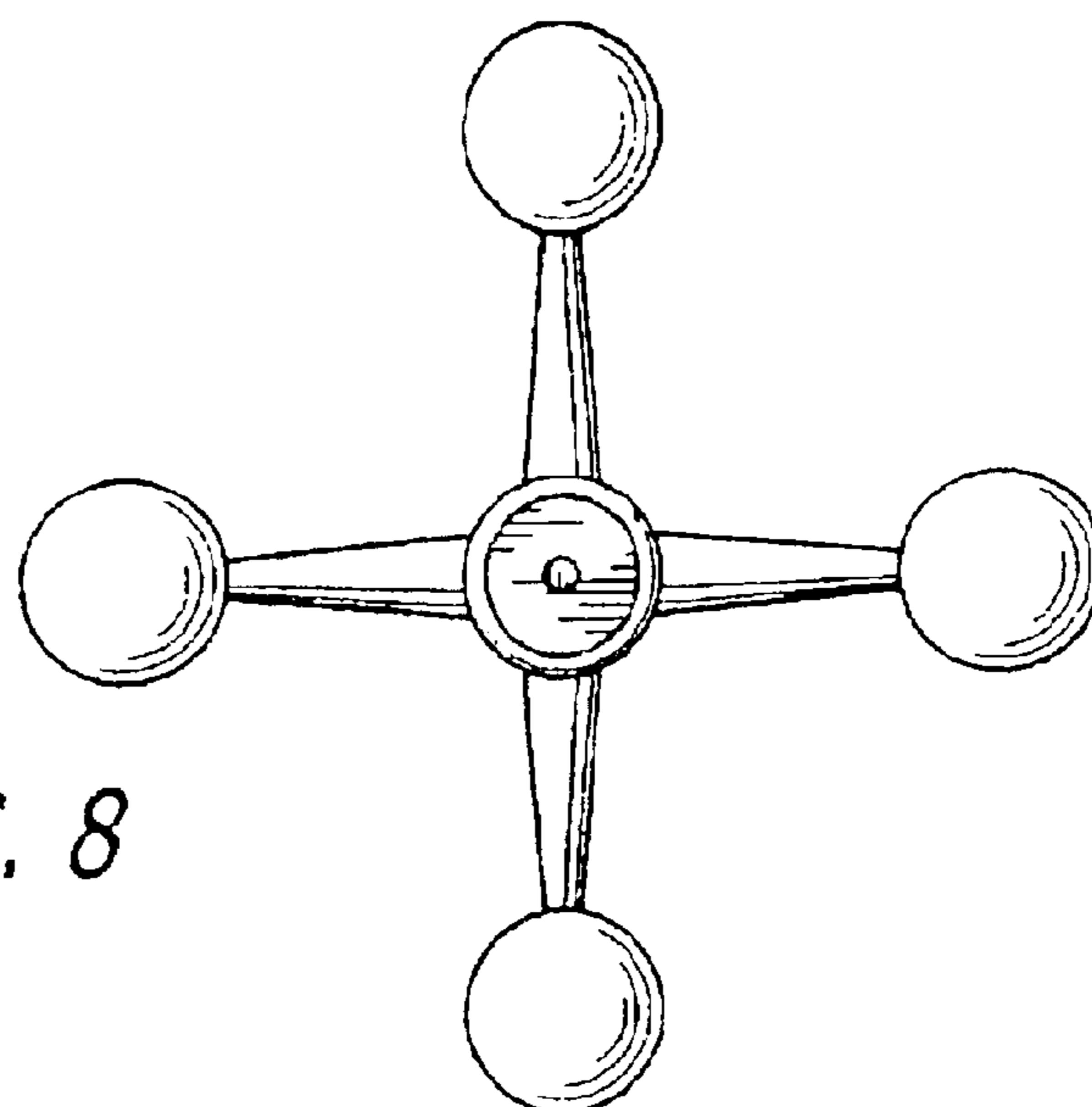
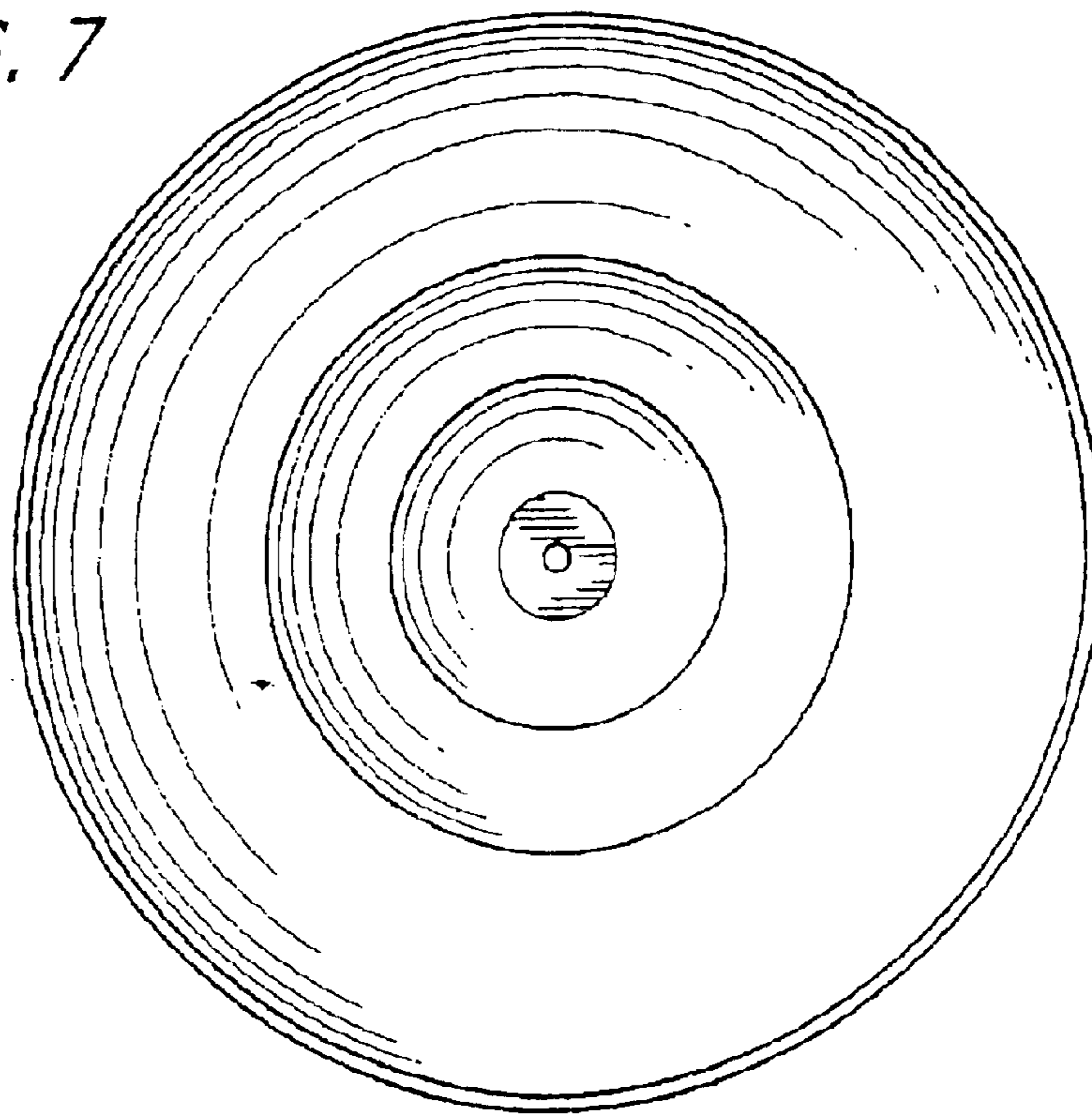


FIG. 5



*FIG. 7*



*FIG. 8*