

US00D500144S

(12) **United States Design Patent**
Tseng

(10) **Patent No.:** **US D500,144 S**

(45) **Date of Patent:** **** Dec. 21, 2004**

(54) **SHED**

D483,128 S * 12/2003 Wang D25/56

(75) **Inventor:** **Chuen-Jong Tseng**, Chiayi Hsien (TW)

* cited by examiner

(73) **Assignee:** **Taiwan Shin Yeh Enterprise Co., Ltd.**,
Chiayi Hsien (TW)

Primary Examiner—Doris Clark
(74) *Attorney, Agent, or Firm*—Ladas & Parry LLP

(**) **Term:** **14 Years**

(57) **CLAIM**

The ornamental design for shed, as shown and described.

(21) **Appl. No.:** **29/201,849**

(22) **Filed:** **Mar. 22, 2004**

DESCRIPTION

(51) **LOC (7) Cl.** **25-03**

(52) **U.S. Cl.** **D25/56; D25/1**

(58) **Field of Search** D25/56, 1; 52/79.1,
52/79.4, 80.1, 81.1

FIG. 1 is a perspective view of shed showing my new design;

FIG. 2 is a front elevational view thereof;

FIG. 3 is a rear elevational view thereof;

FIG. 4 is a left side elevational view thereof;

FIG. 5 is a right side elevational view thereof;

FIG. 6 is a top plan view thereof; and,

FIG. 7 is a bottom plan view thereof.

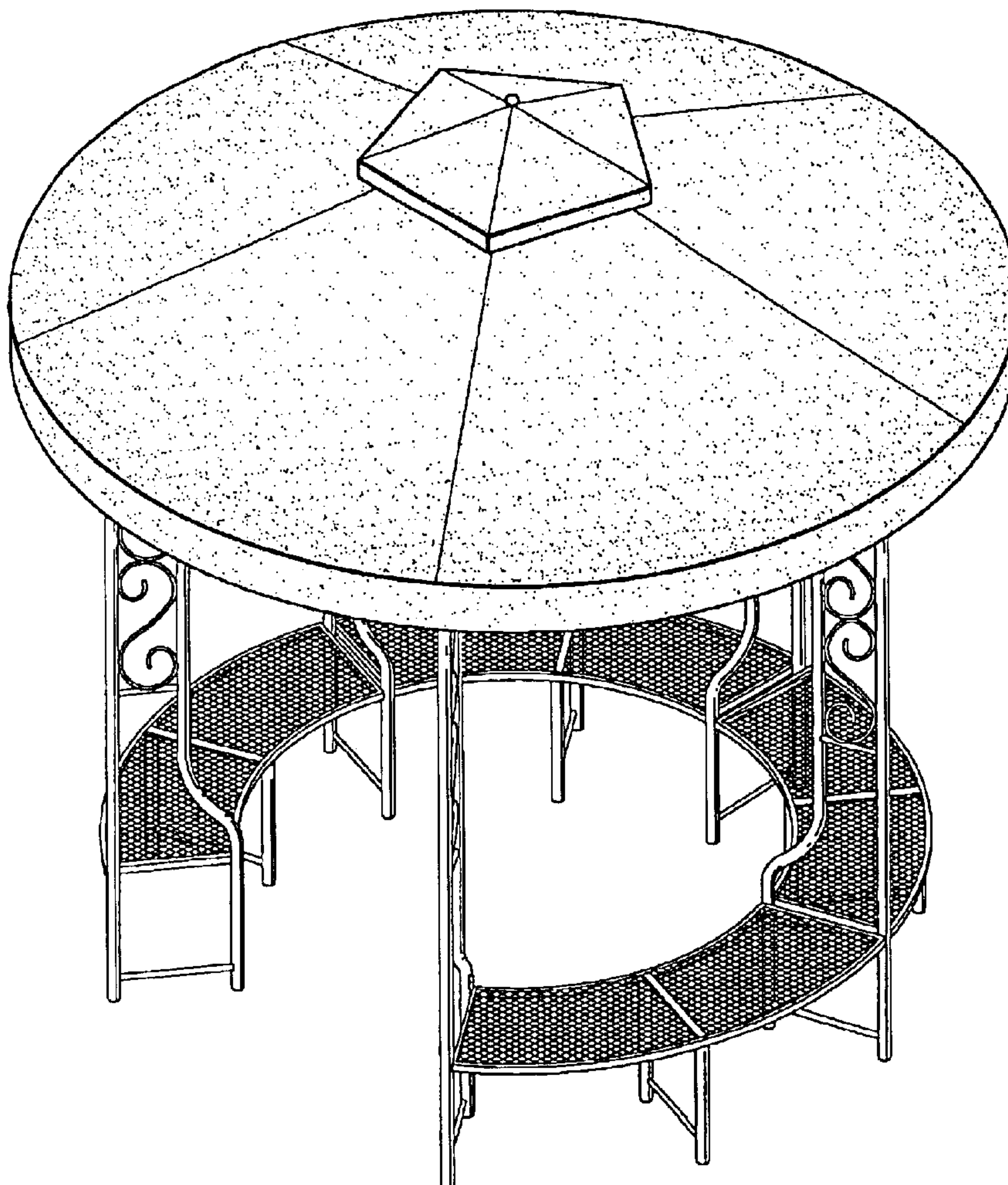
(56) **References Cited**

U.S. PATENT DOCUMENTS

4,733,508 A * 3/1988 Greenblatt 52/91.1

4,739,594 A * 4/1988 Langford et al. 52/82

1 Claim, 4 Drawing Sheets



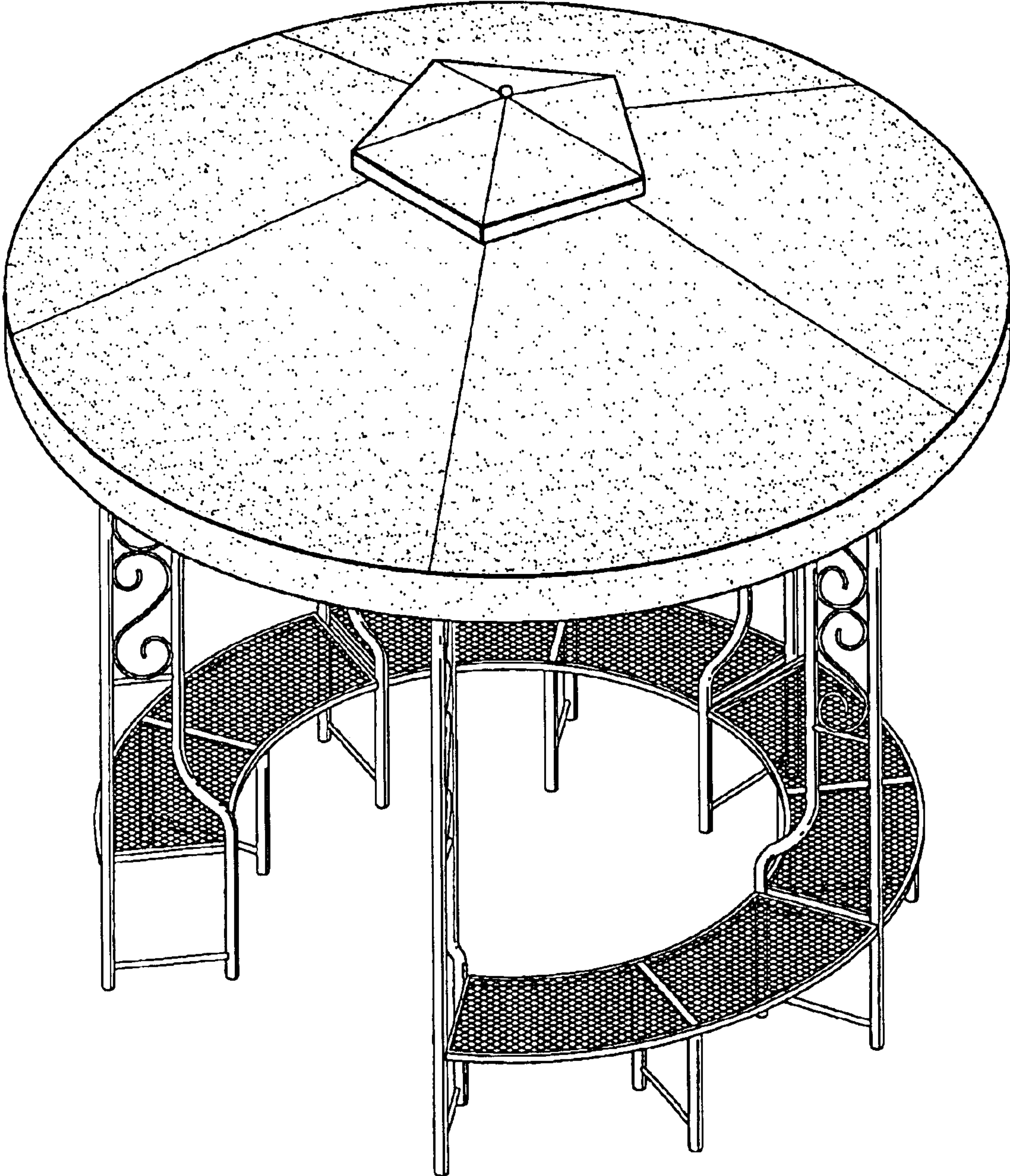


FIG. 1

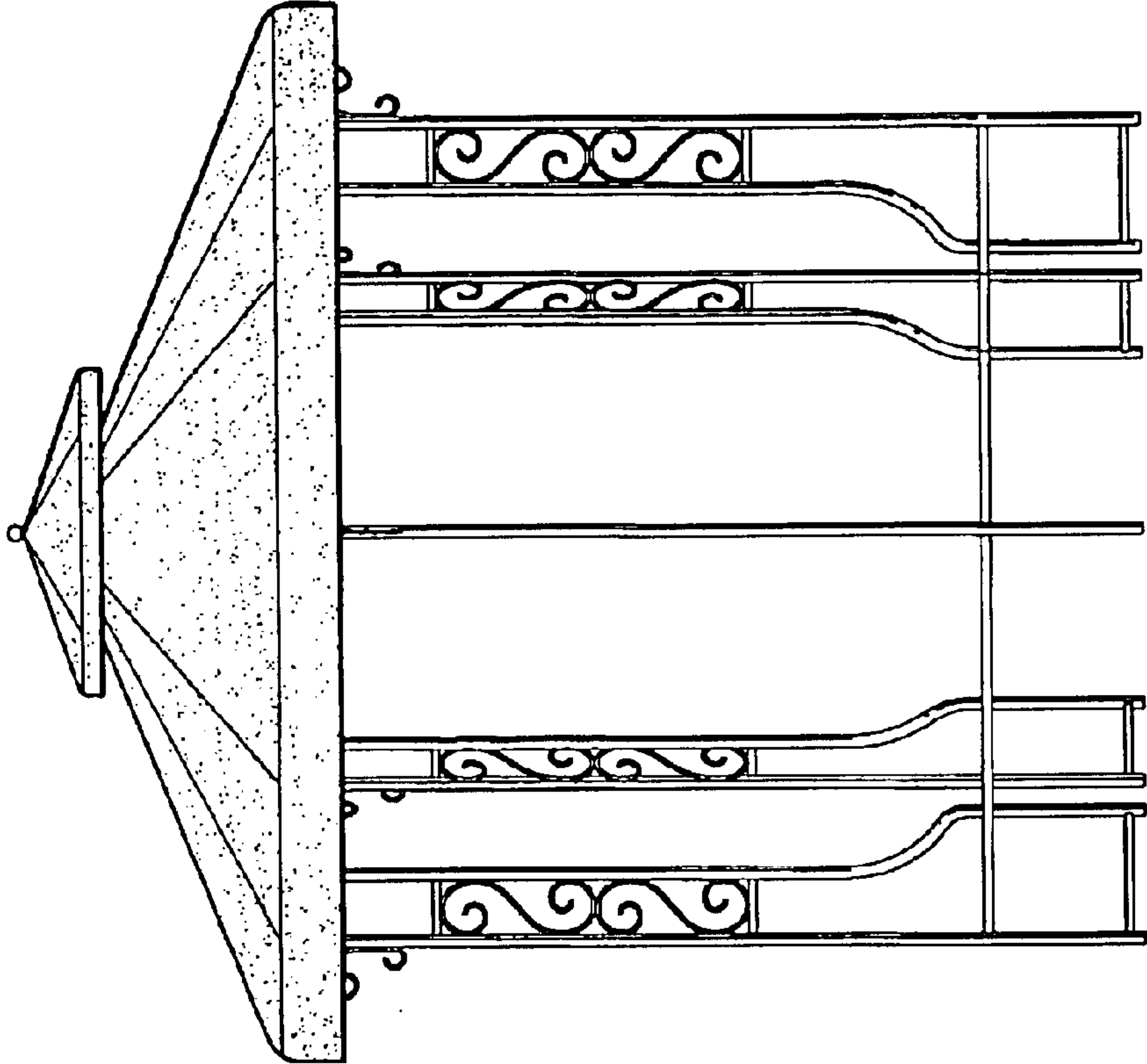


FIG. 3

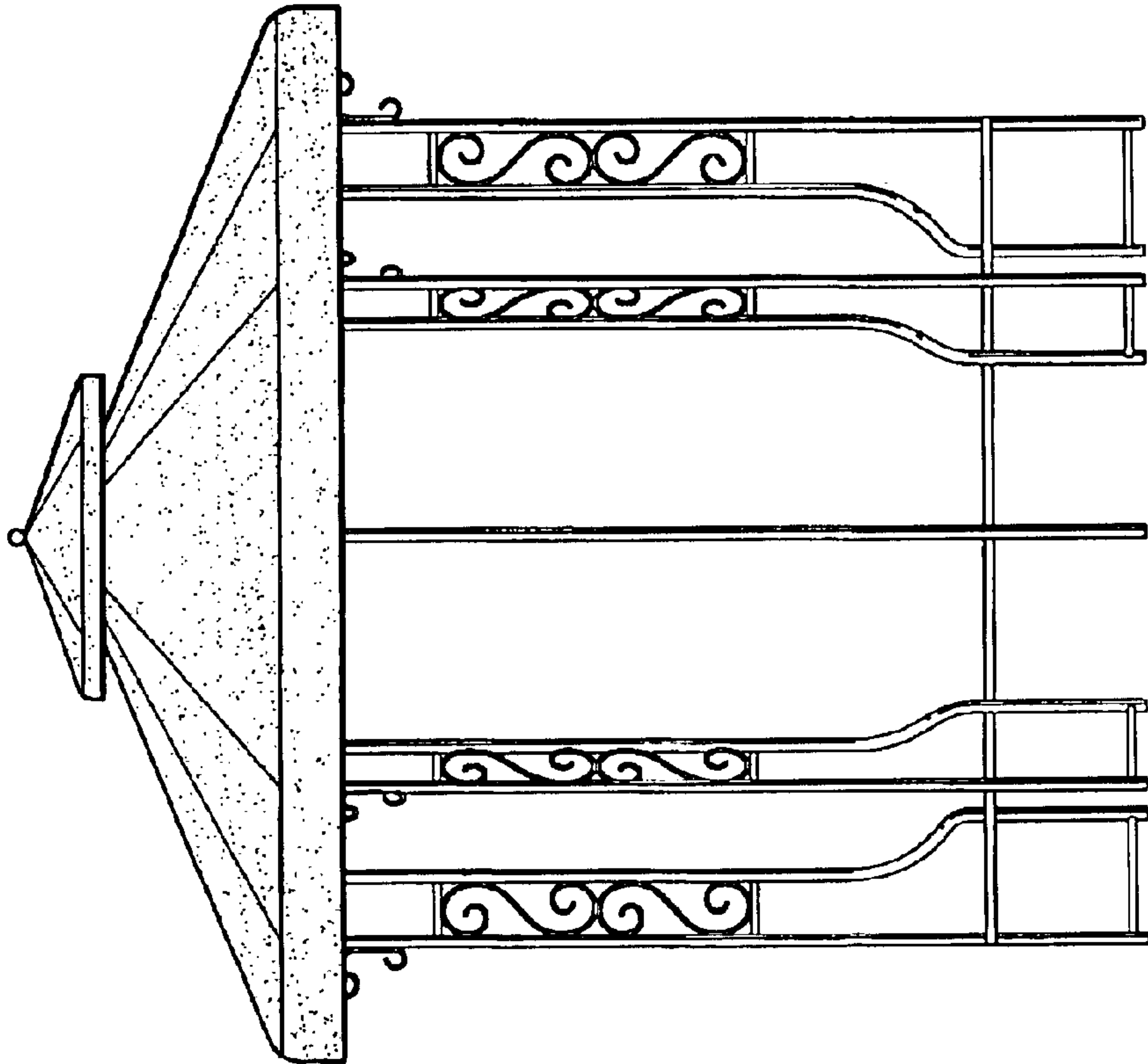


FIG. 2

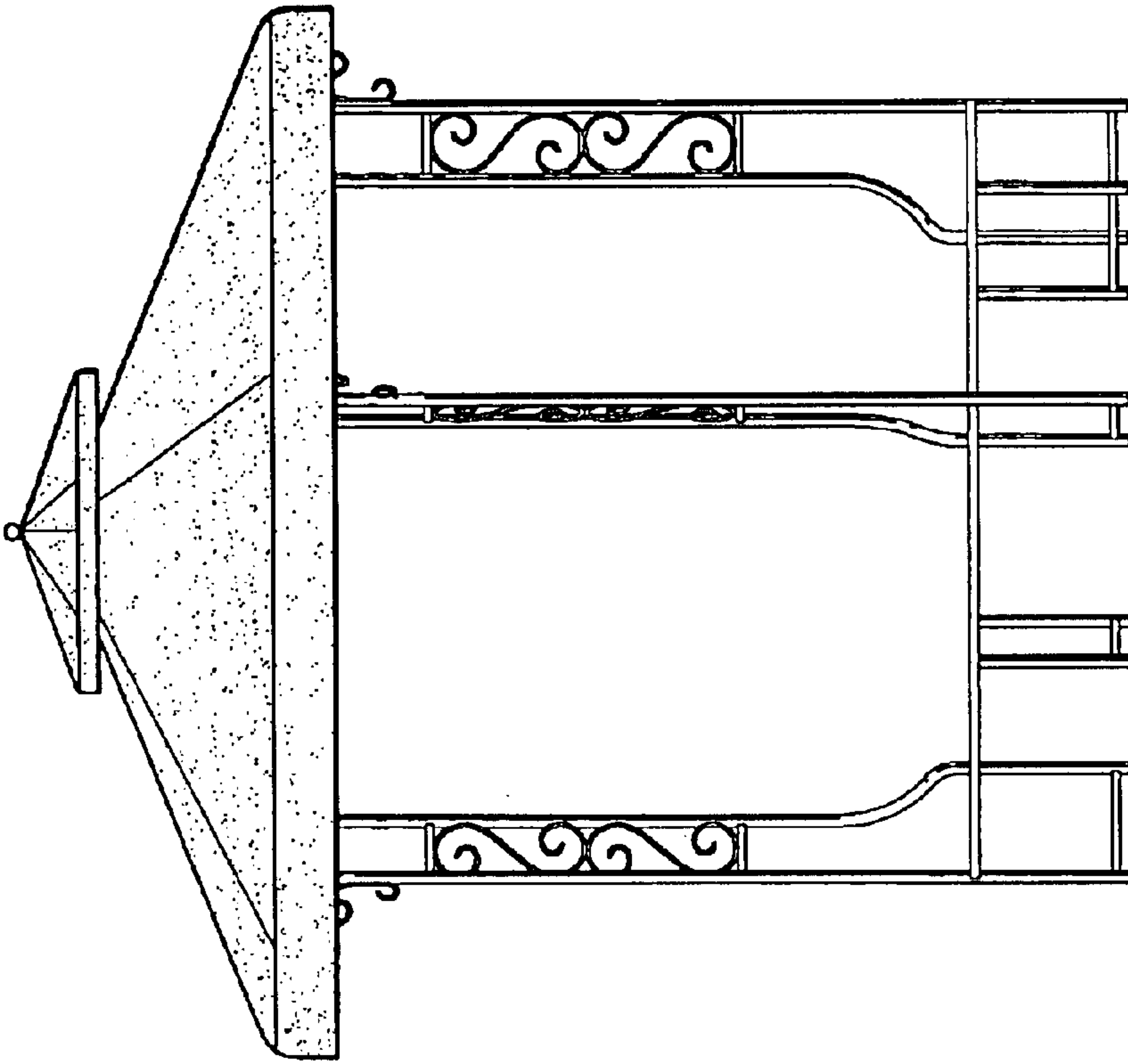


FIG. 5

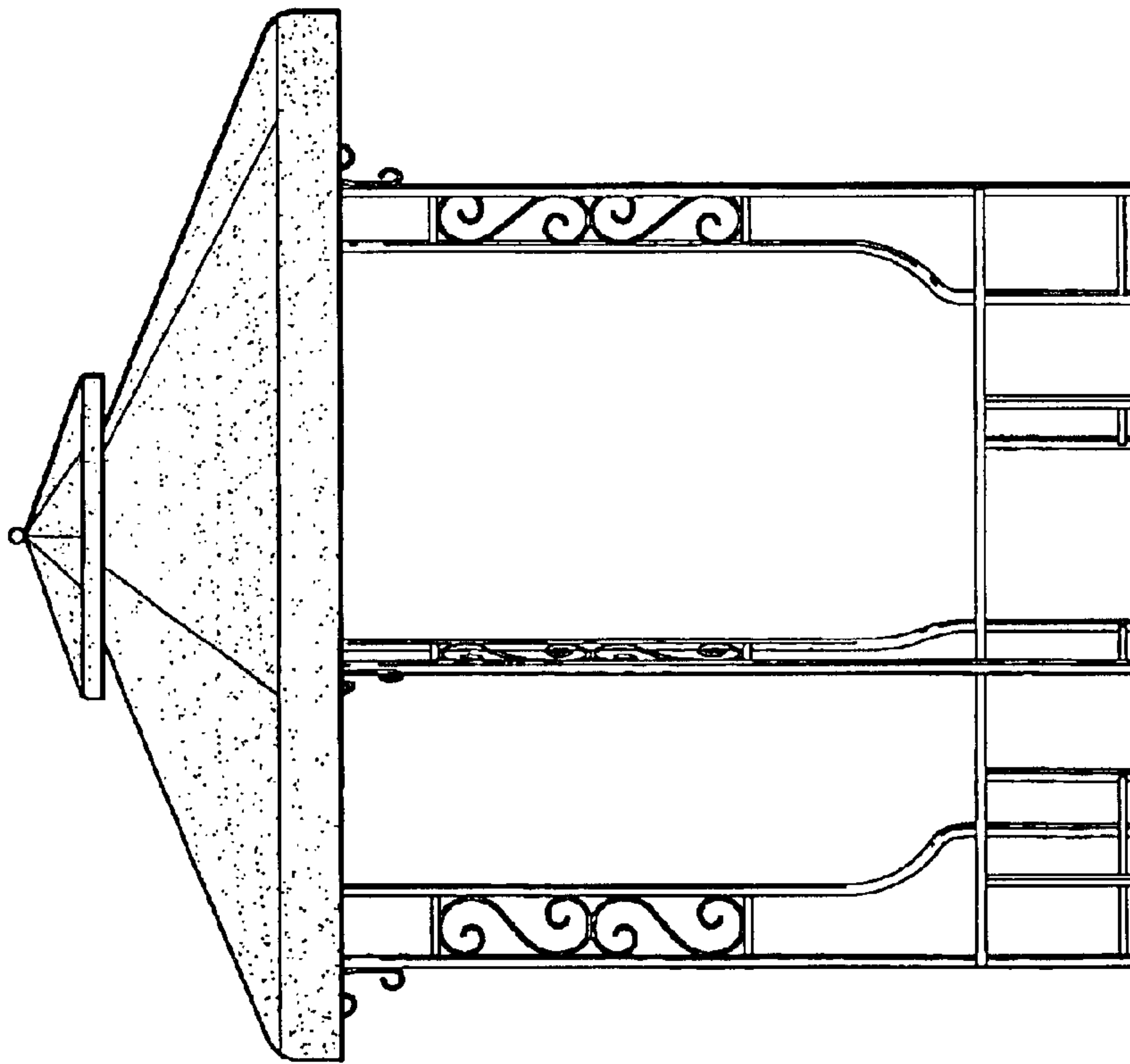


FIG. 4

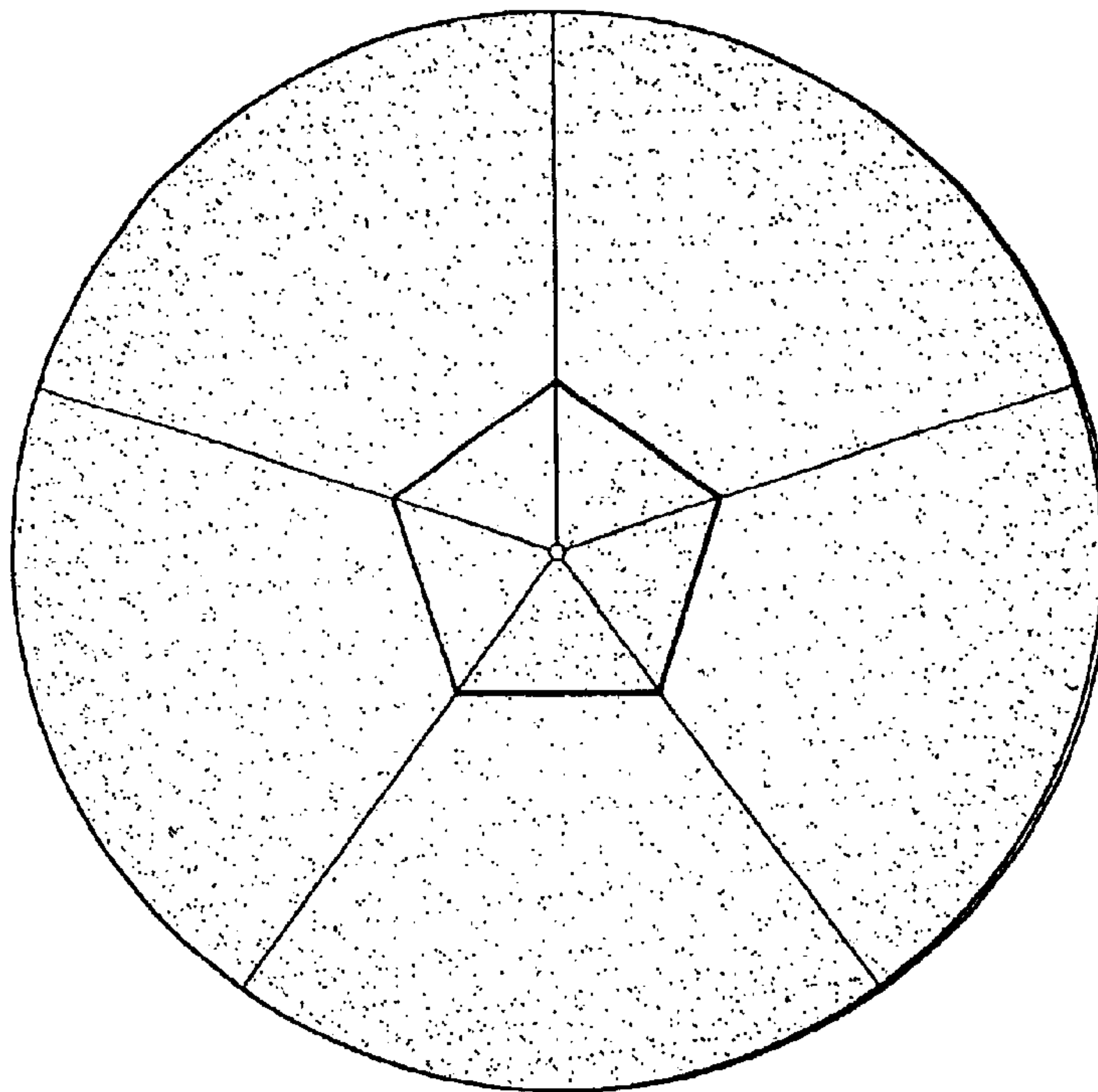


FIG. 6

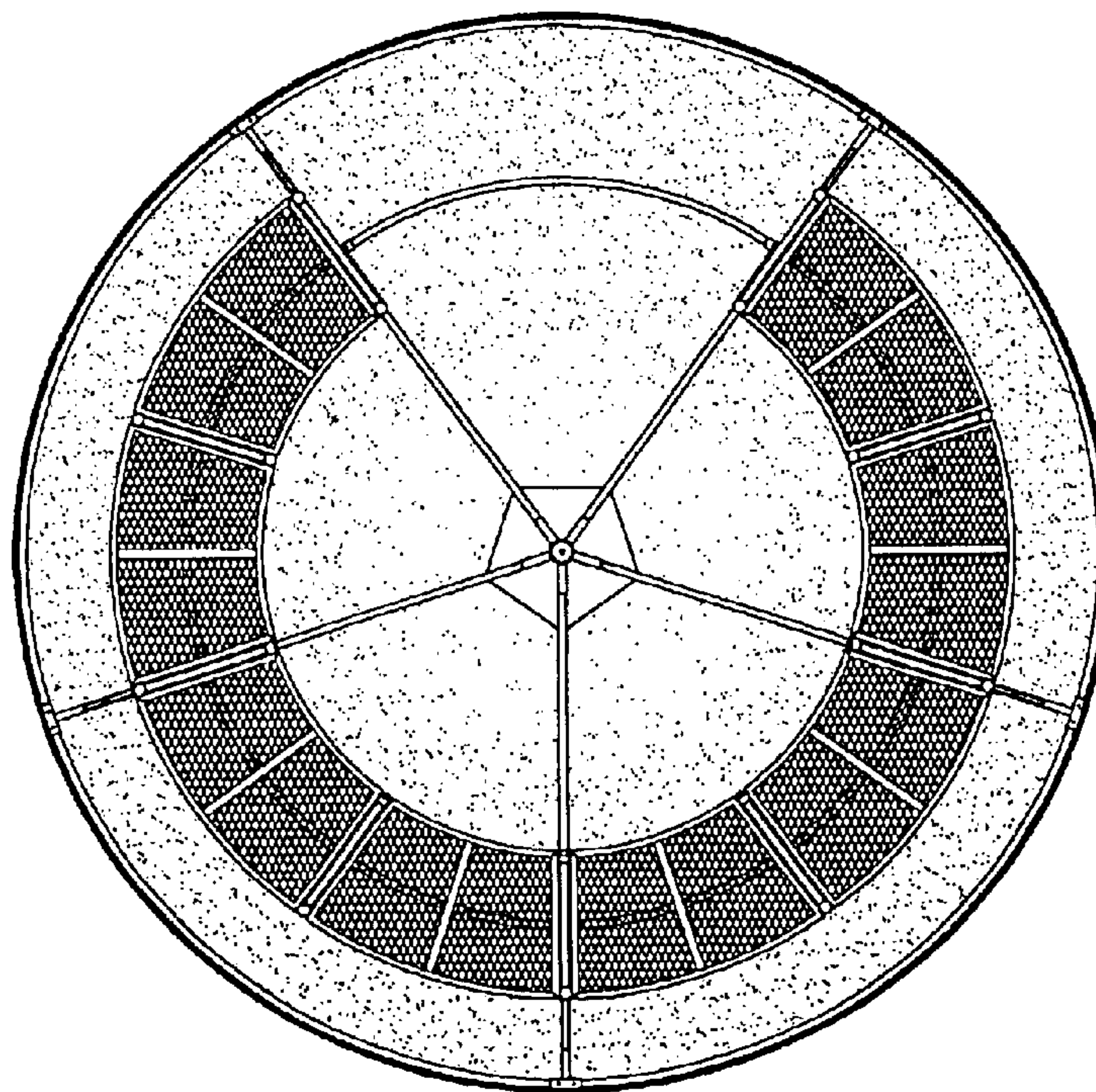


FIG. 7