

US00D500143S

(12) **United States Design Patent**
Moncho et al.

(10) **Patent No.:** **US D500,143 S**

(45) **Date of Patent:** **** Dec. 21, 2004**

(54) **SHELTER**

(75) Inventors: **Fernando R. Moncho**, Madrid (ES);
Juan M. Norverto, Madrid (ES)

(73) Assignee: **Cemusa, Inc.**, Miami, FL (US)

(**) Term: **14 Years**

(21) Appl. No.: **29/190,571**

(22) Filed: **Sep. 23, 2003**

(51) **LOC (7) Cl.** **25-02**

(52) **U.S. Cl.** **D25/56**

(58) **Field of Search** 135/907, 908;
52/91.3, 93.1; D25/56

5,363,608 A 11/1994 Conlan
D403,434 S * 12/1998 Sander D25/1
D436,669 S * 1/2001 Kieffer D25/56
6,415,557 B1 7/2002 McCalley

FOREIGN PATENT DOCUMENTS

ES 2 159 255 9/2001

* cited by examiner

Primary Examiner—Doris Clark

(74) *Attorney, Agent, or Firm*—Brinks, Hofer, Gilson & Lione

(57) **CLAIM**

The ornamental design for a shelter, as shown and described.

DESCRIPTION

FIG. 1 is a front perspective view of a shelter of the present invention;

FIG. 2 is a front view thereof;

FIG. 3 is a rear view thereof;

FIG. 4 is a left-side view thereof;

FIG. 5 is a right-side view thereof; and,

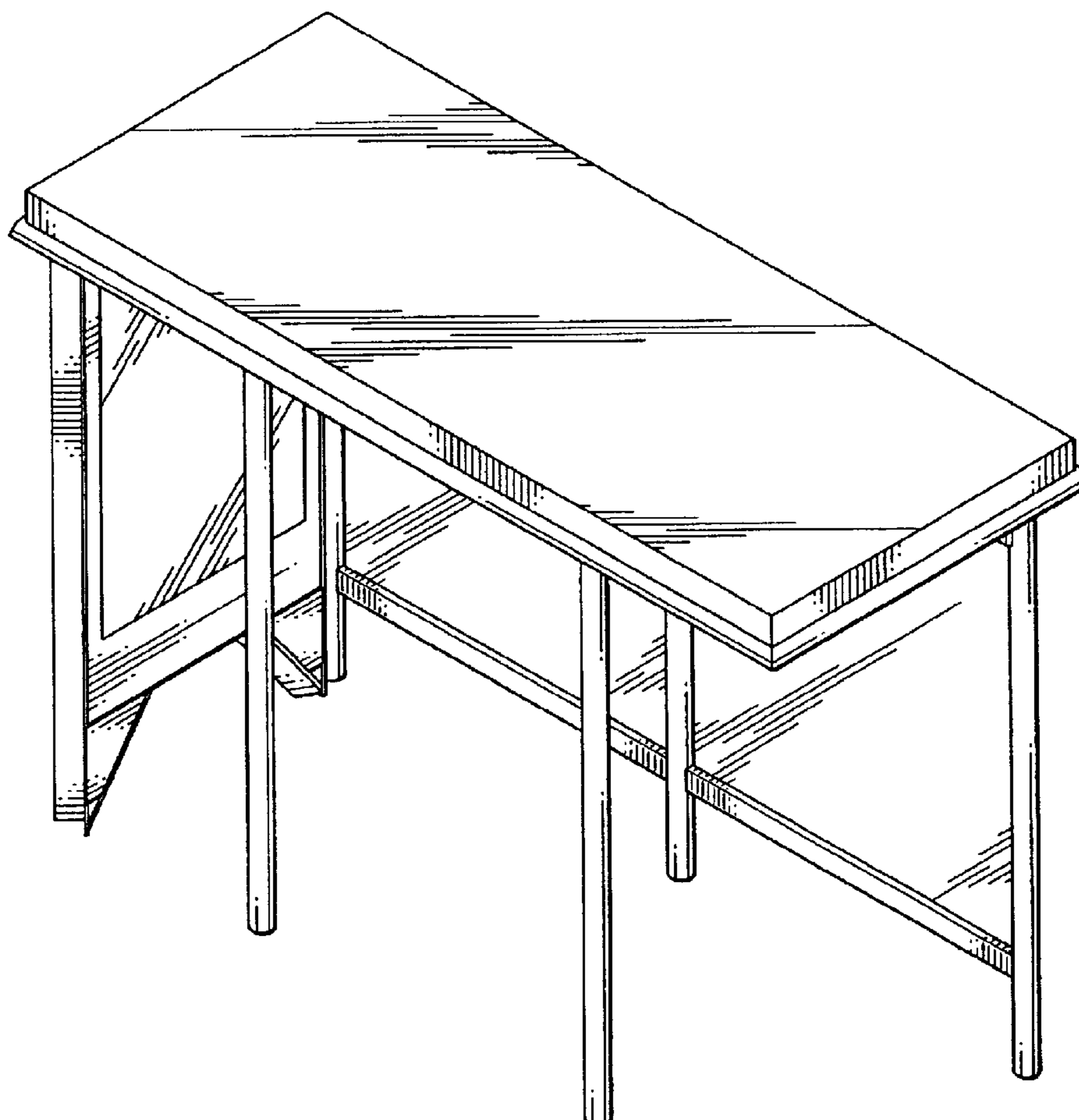
FIG. 6 is a top view thereof.

1 Claim, 5 Drawing Sheets

(56) **References Cited**

U.S. PATENT DOCUMENTS

4,018,016 A 4/1977 Zale
D252,215 S 6/1979 Leuthesser
4,384,317 A 5/1983 Stackpole
4,410,930 A 10/1983 Yachabach
4,718,185 A 1/1988 Conlin et al.
4,754,582 A 7/1988 Cameron
5,107,637 A 4/1992 Robbins



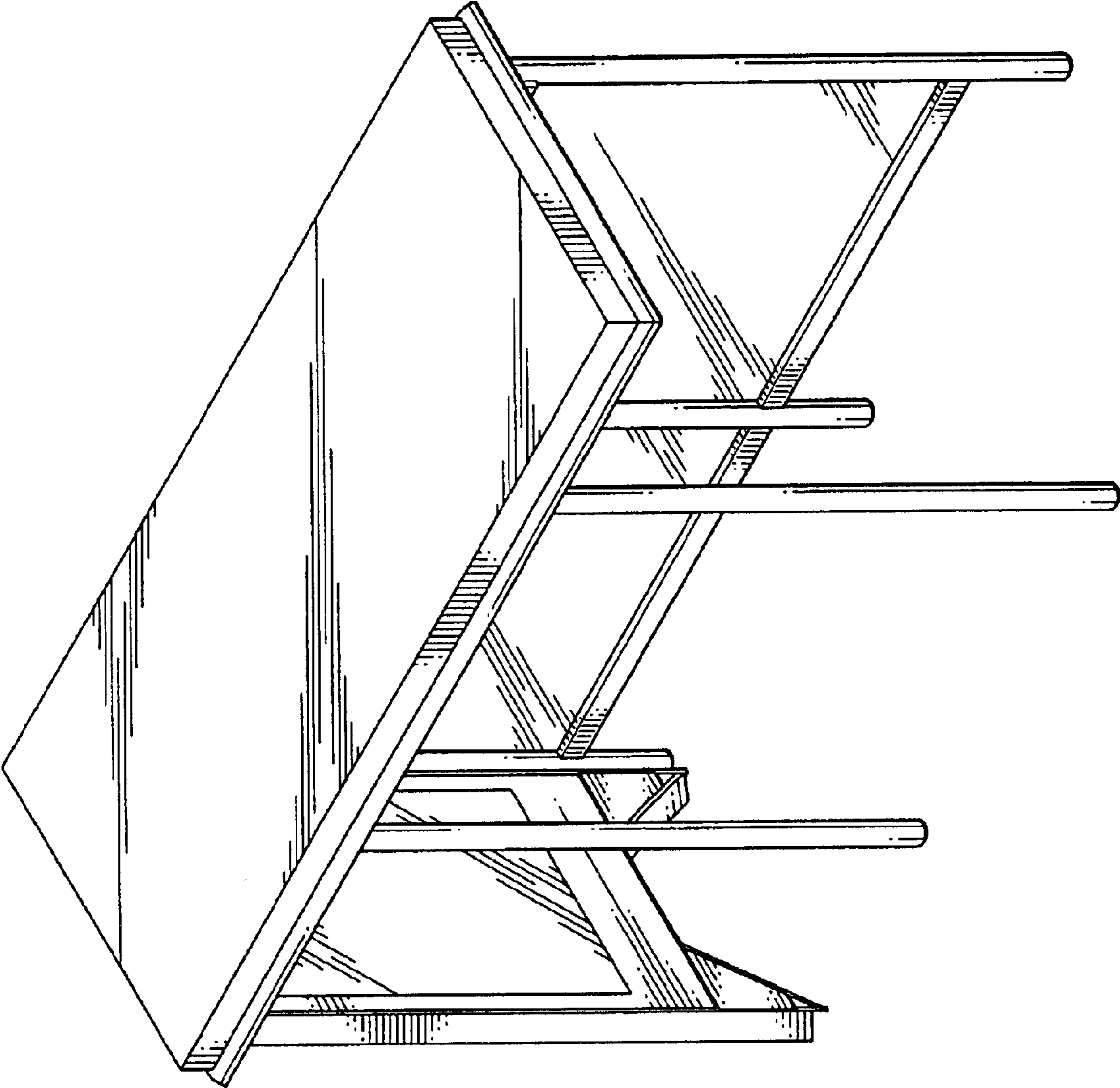


FIG. 1

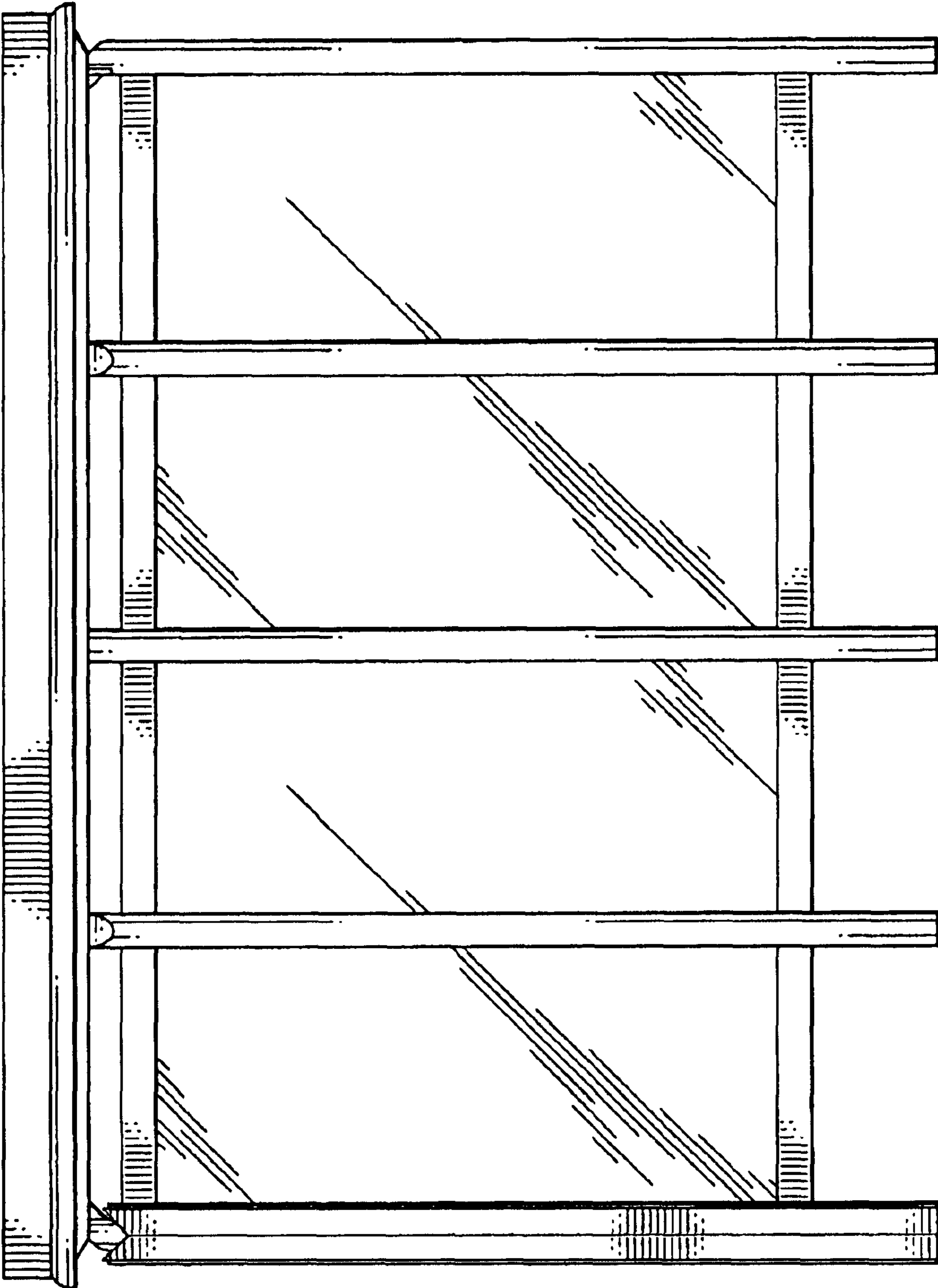


FIG. 2

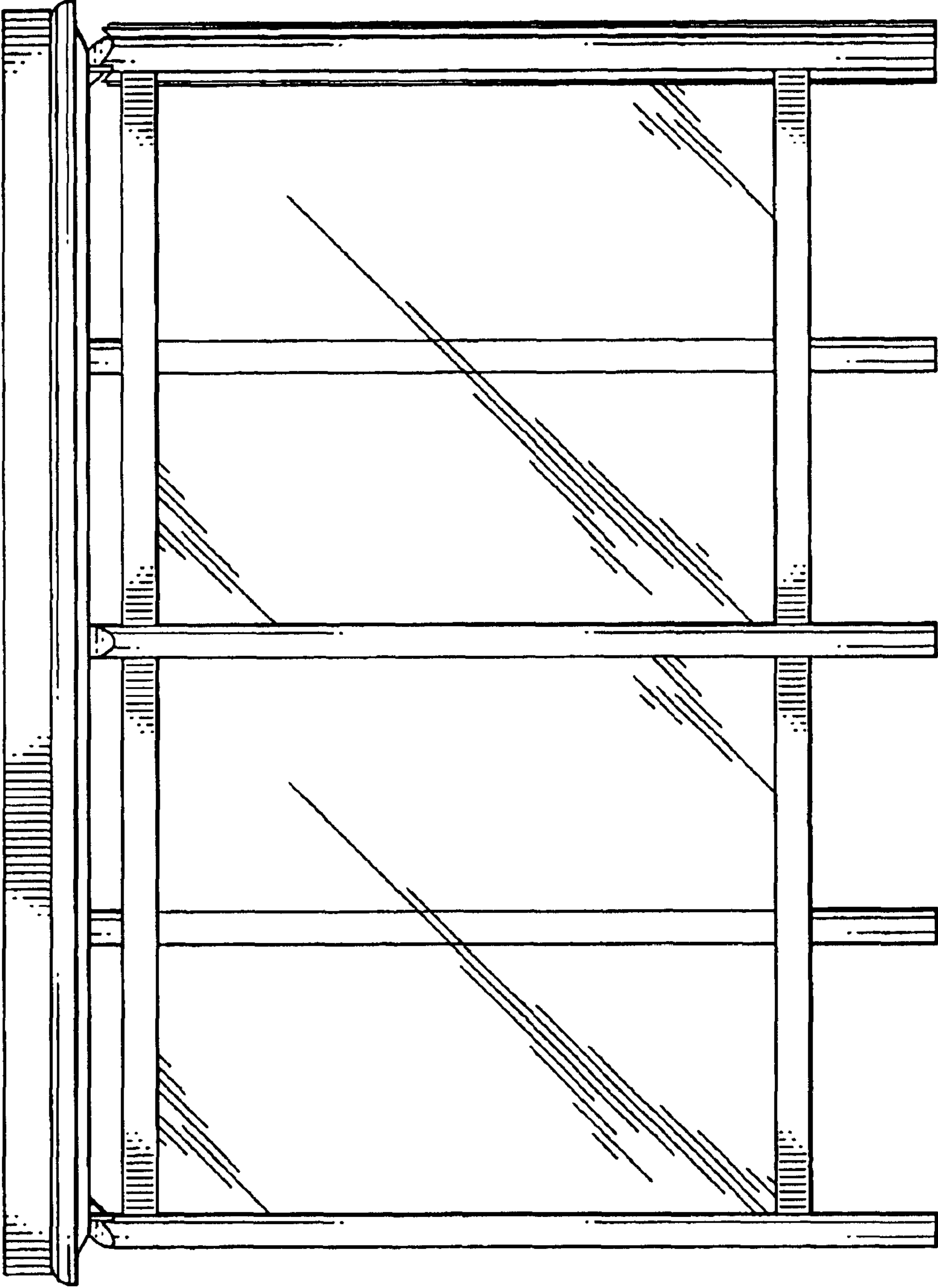


FIG. 3

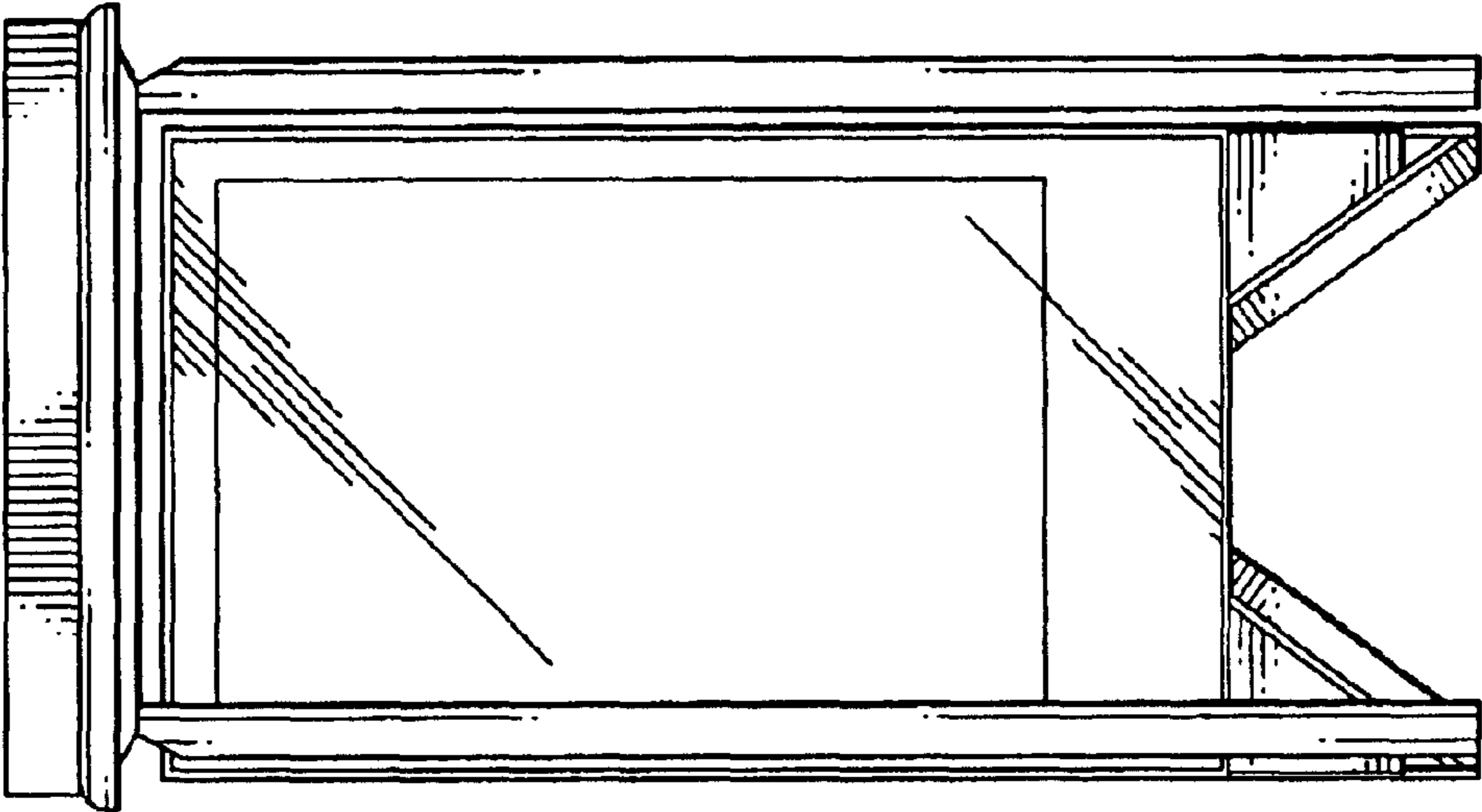


FIG. 5

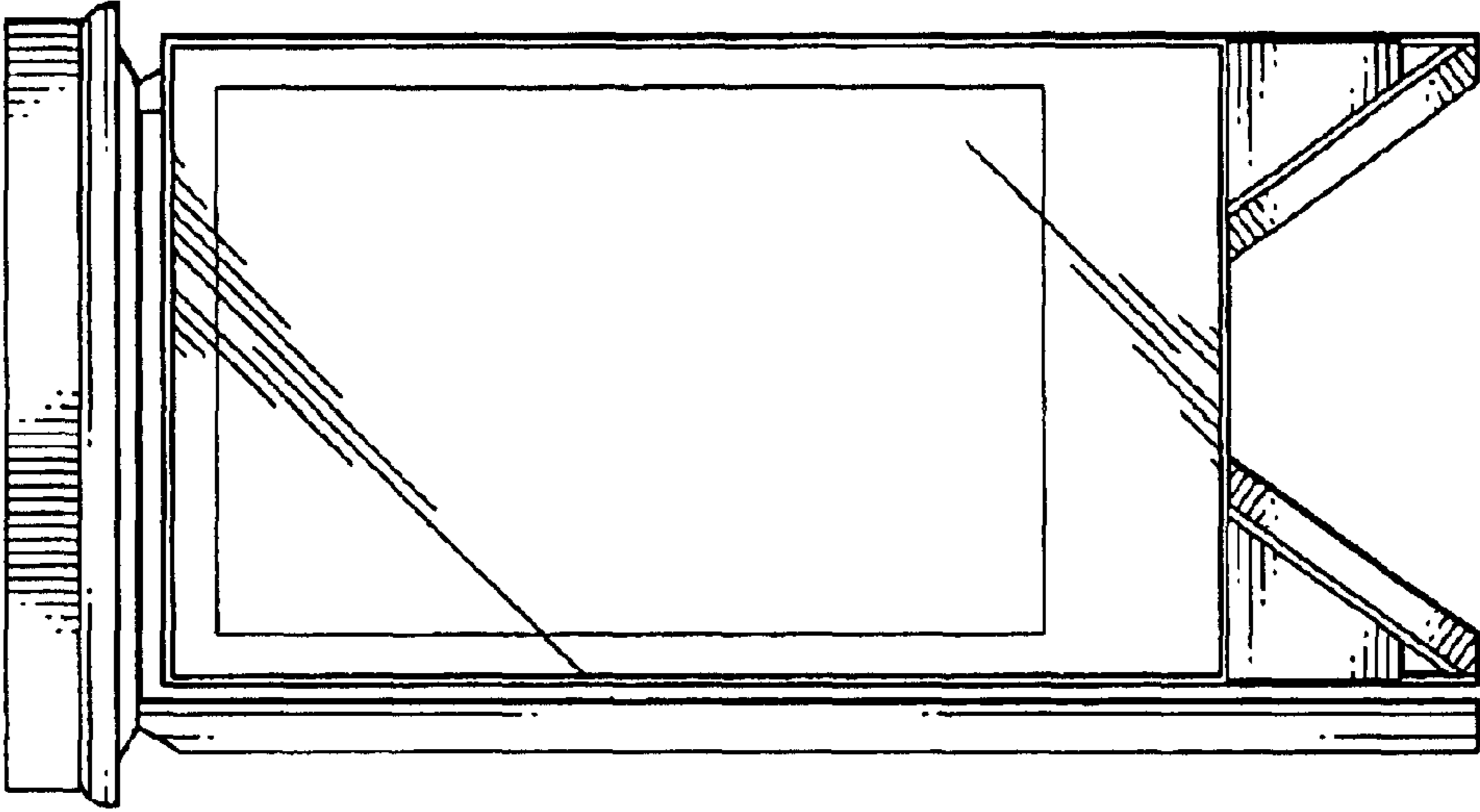


FIG. 4

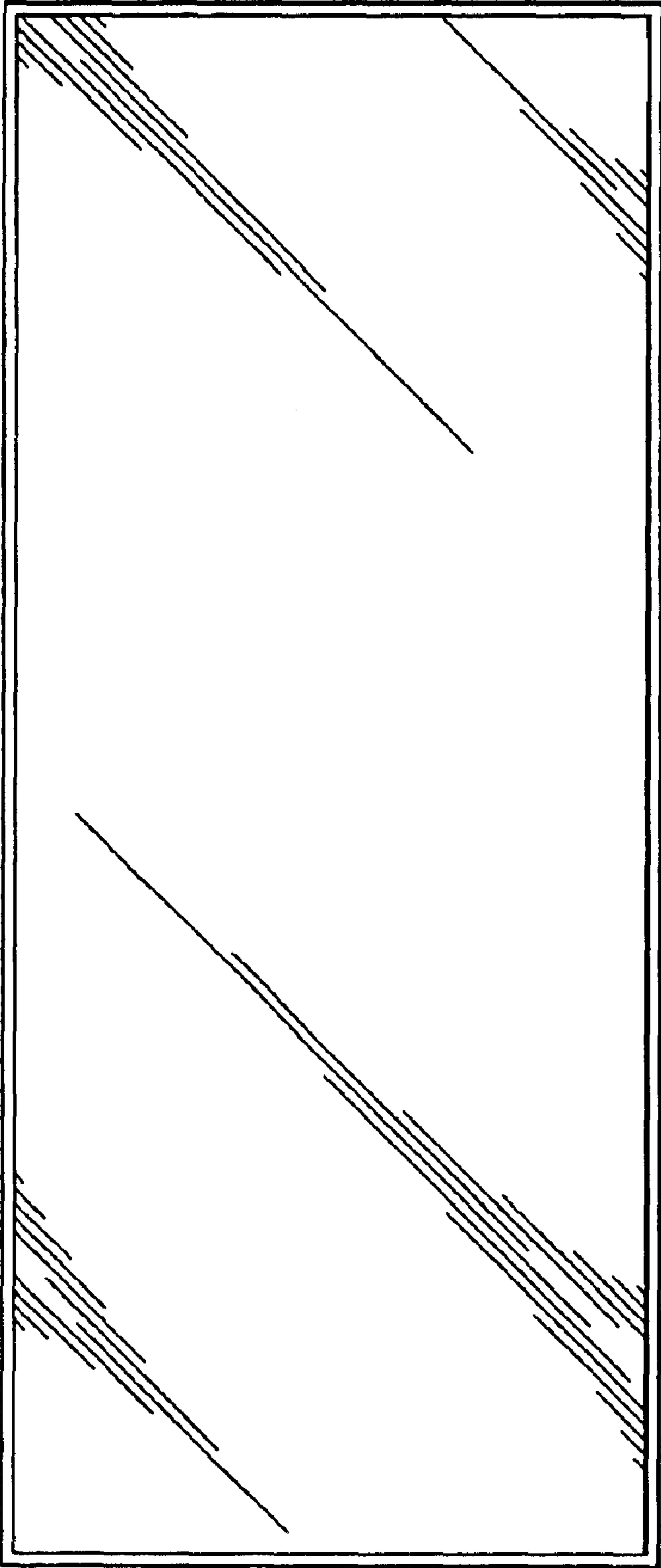


FIG. 6