

US00D500142S

(12) **United States Design Patent**
Crisanti et al.

(10) **Patent No.: US D500,142 S**

(45) **Date of Patent: ** Dec. 21, 2004**

(54) **ASSAY DEVICE**

(76) Inventors: **Andrea Crisanti**, Department of
Biology, Imperial College, London
(GB), SW7 2AZ; **Uri Friedlander**, 20
Belsize Avenue, London (GB), NW3
4AU

(**) **Term: 14 Years**

(21) **Appl. No.: 29/149,512**

(22) **Filed: Oct. 10, 2001**

(30) **Foreign Application Priority Data**

Apr. 10, 2001 (GB) 2100992

(51) **LOC (7) Cl. 24-02**

(52) **U.S. Cl. D24/224; D24/216; D24/223;
D24/225**

(58) **Field of Search D24/224, 216,
D24/225, 223; 422/57, 58, 102, 101, 68.1,
56, 55; 600/584, 573, 578; 435/810**

(56) **References Cited**

U.S. PATENT DOCUMENTS

4,943,522 A * 7/1990 Elsinger et al. 422/101

5,656,502 A * 8/1997 MacKay et al. 422/58
5,962,336 A * 10/1999 Sun 422/55
6,239,445 B1 * 5/2001 Shaeef 422/58
D456,082 S * 4/2002 Bouse et al. D24/223

* cited by examiner

Primary Examiner—Ian Simmons

(74) *Attorney, Agent, or Firm*—Nikolai & Mersereau, P.A.

(57) **CLAIM**

The ornamental design for an assay device, as shown and described.

DESCRIPTION

FIG. 1 is an end elevational view of an assay device showing our new design;

FIG. 2 is an end elevational view of thereof, taken from the opposite side;

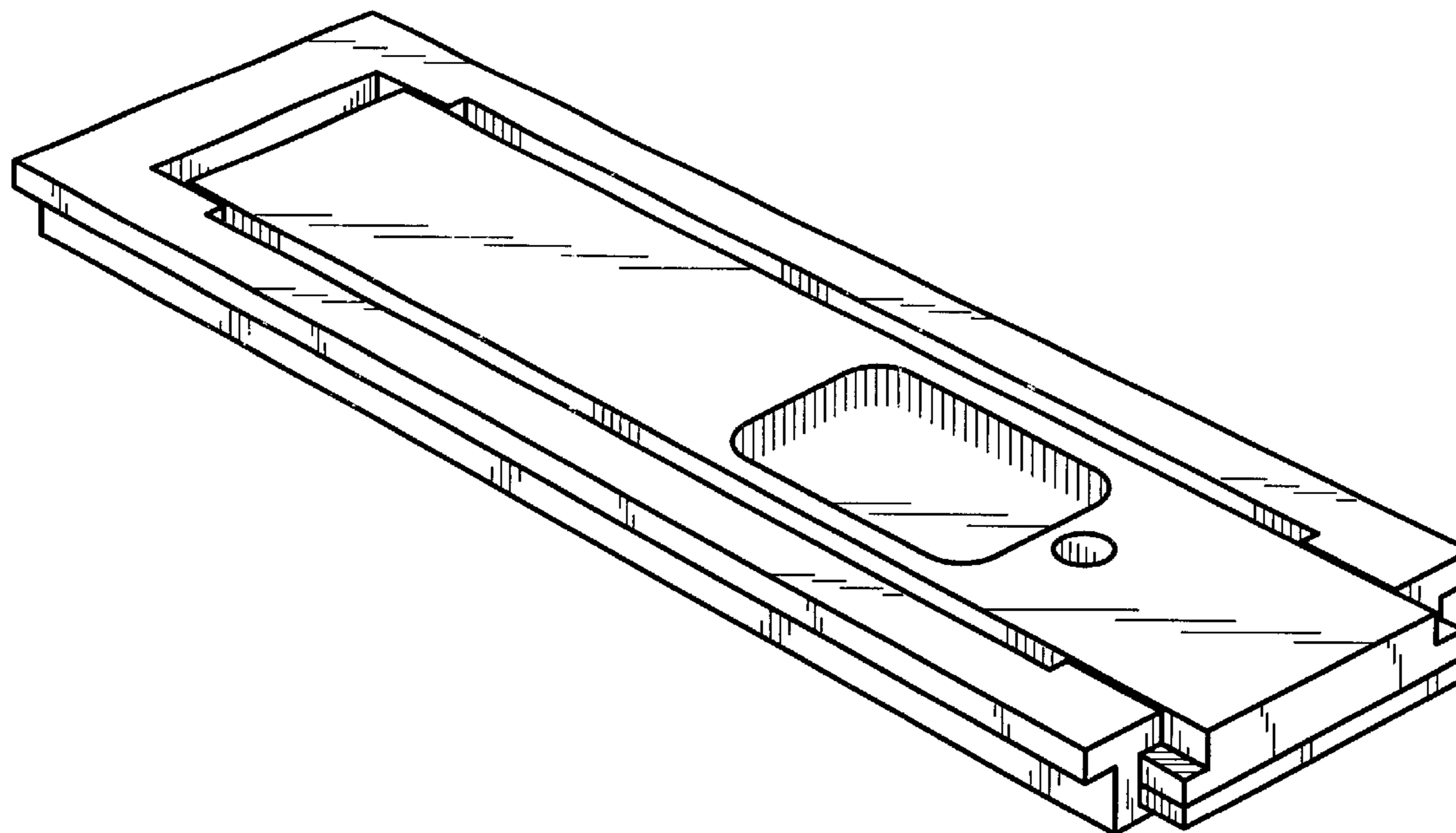
FIG. 3 is a side elevation view thereof, the opposite side elevational view being a mirror image thereto;

FIG. 4 is a top plan view thereof, shown in open condition;

FIG. 5 is a top plan view thereof, shown in closed condition; and,

FIG. 6 is a perspective view thereof.

1 Claim, 2 Drawing Sheets



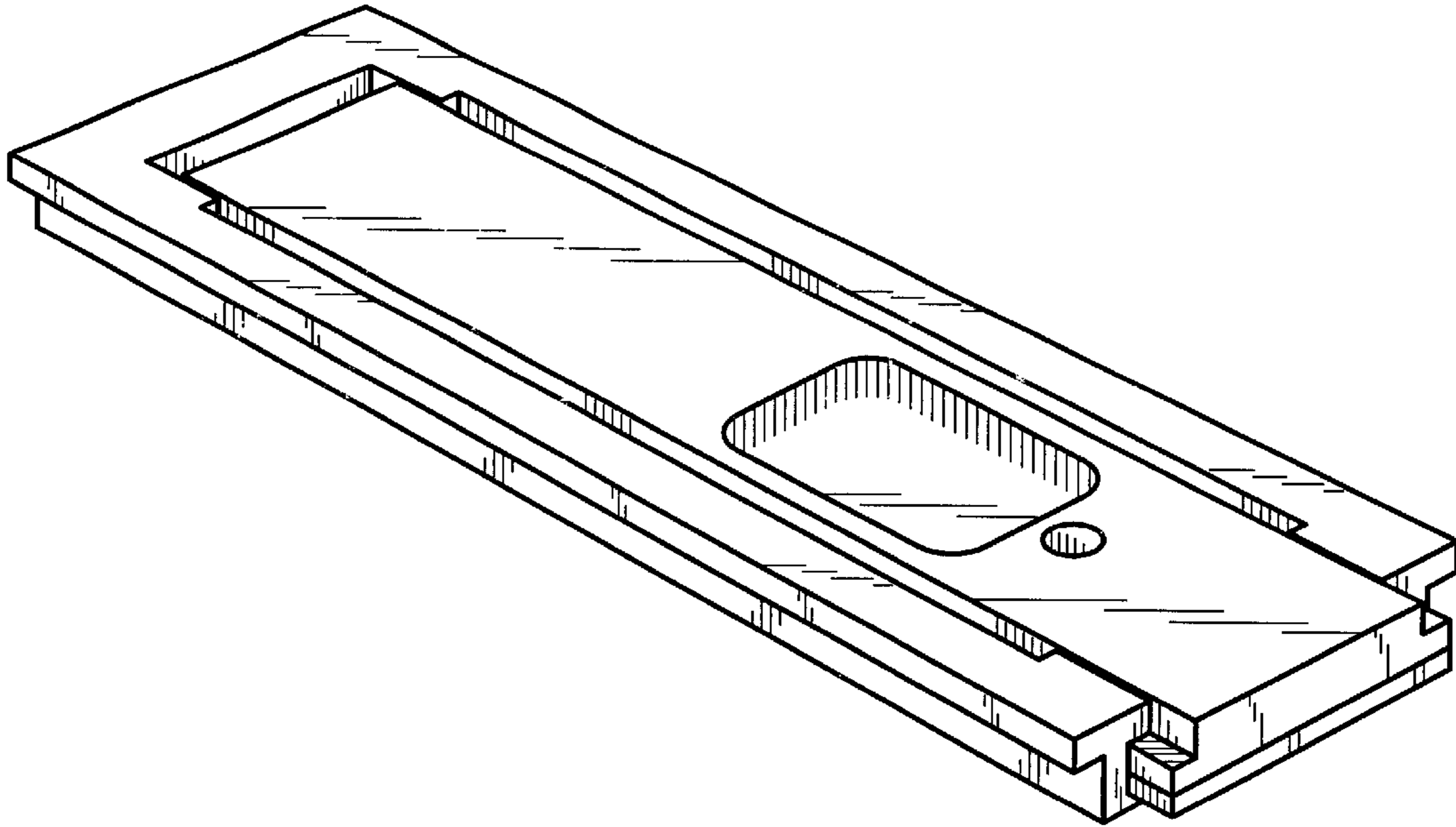


Fig. 6



Fig. 1



Fig. 2

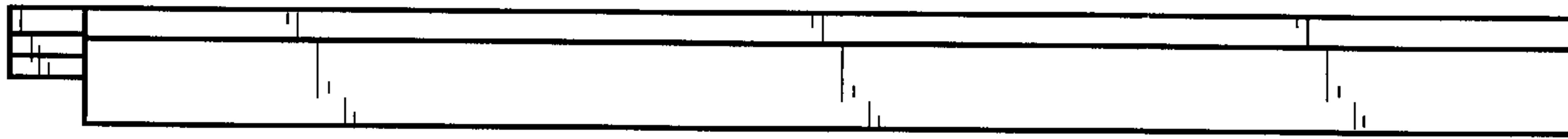


Fig. 3

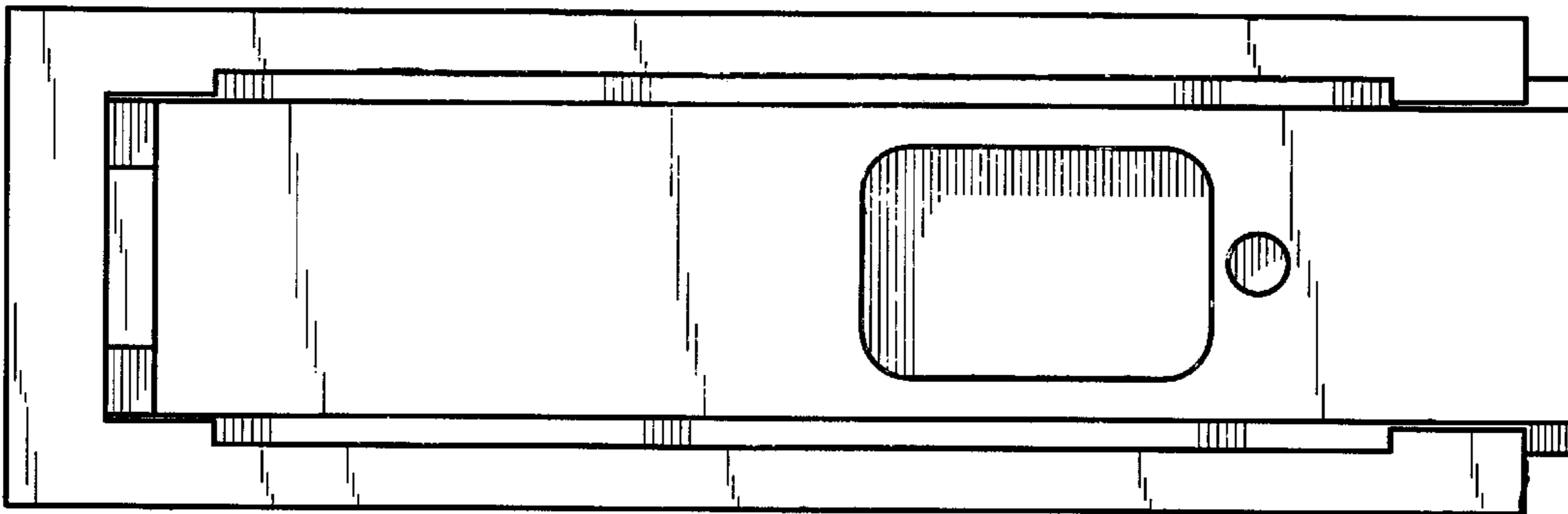


Fig. 4

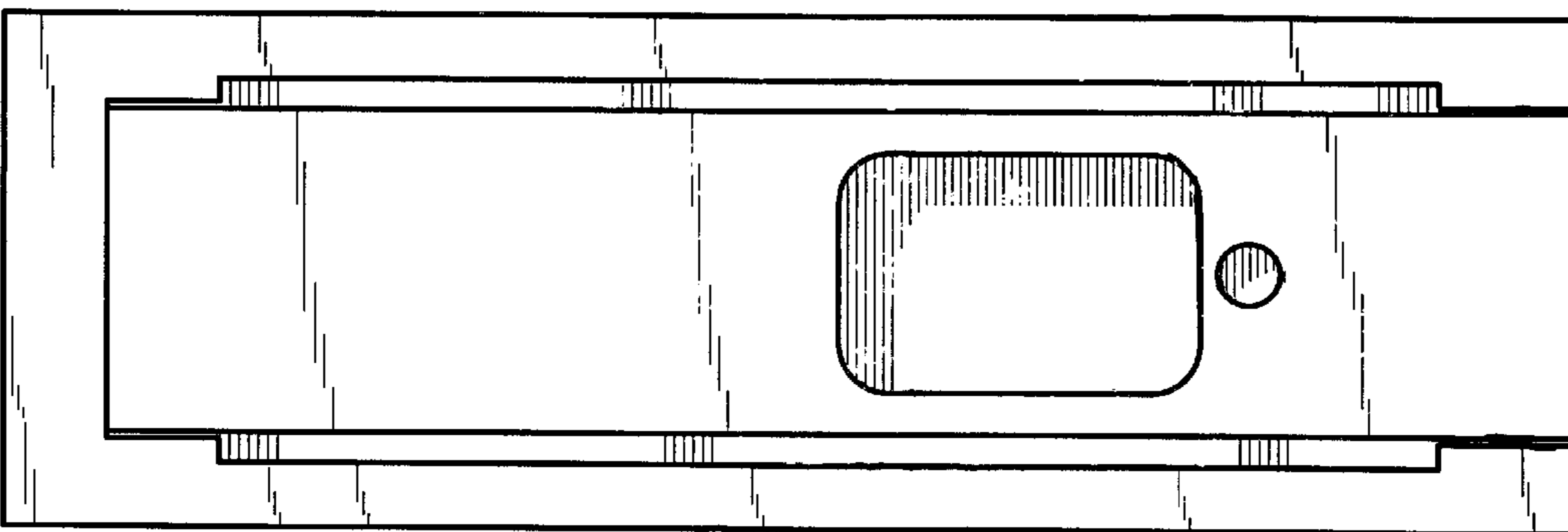


Fig. 5