

US00D500138S

(12) **United States Design Patent** (10) **Patent No.:** **US D500,138 S**
Urban et al. (45) **Date of Patent:** **** Dec. 21, 2004**

(54) **LEG SLING**

(75) Inventors: **Wayne M. Urban**, Bedford, OH (US);
Robert M. Webb, Cleveland, OH (US)

(73) Assignee: **LS Products LLC**, Bedford, OH (US)

(**) Term: **14 Years**

(21) Appl. No.: **29/204,007**

(22) Filed: **Apr. 22, 2004**

Related U.S. Application Data

(62) Division of application No. 29/191,650, filed on Oct. 2, 2003, now Pat. No. Des. 493,001, which is a division of application No. 29/169,014, filed on Oct. 11, 2002, now Pat. No. Des. 485,361.

(51) **LOC (7) Cl.** **24-04**

(52) **U.S. Cl.** **D24/190**

(58) **Field of Search** D24/190; 602/4,
602/23, 24; 128/845, 846, 869, 875, 876,
883

(56) **References Cited**

U.S. PATENT DOCUMENTS

1,548,711 A	8/1925	Cooper	
2,543,847 A	3/1951	Hallstedt	
3,957,041 A *	5/1976	Wilder	602/4
4,010,744 A	3/1977	Boyen	

4,252,112 A	2/1981	Joyce	
5,172,703 A	12/1992	Tiede et al.	
5,256,119 A	10/1993	Tudor	
5,542,433 A	8/1996	Saupe	
5,649,084 A *	7/1997	Ernst	345/630
5,882,321 A	3/1999	Fisk	
2002/0183670 A1 *	12/2002	Driver, Jr.	602/4

* cited by examiner

Primary Examiner—Louis S. Zarfaz

Assistant Examiner—Sally Shih

(74) *Attorney, Agent, or Firm*—Calfee, Halter & Griswold LLP

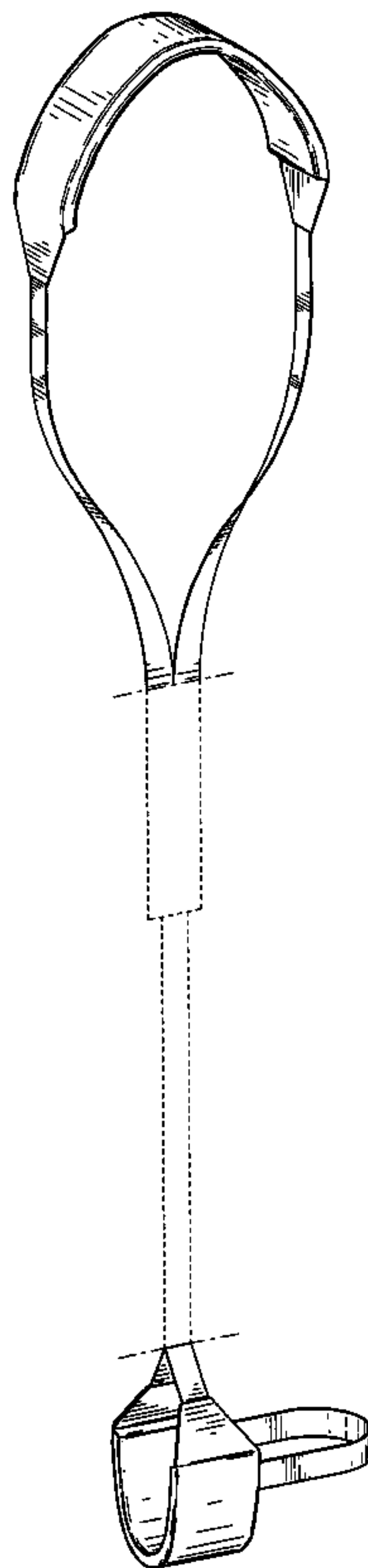
(57) **CLAIM**

We claim the ornamental design for a leg sling, as shown and described.

DESCRIPTION

FIG. 1 is a front/right/top perspective view of the leg sling.
 FIG. 2 is a right side elevational view of the leg sling.
 FIG. 3 is a left side elevational view of the leg sling.
 FIG. 4 is a front elevational view of the leg sling.
 FIG. 5 is a rear elevational view of the leg sling.
 FIG. 6 is a top plan view of the leg sling; and,
 FIG. 7 is a bottom plan view of the leg sling.
 The broken line showings in the drawings are for illustrative purposes only and form no part of the claimed design.

1 Claim, 3 Drawing Sheets



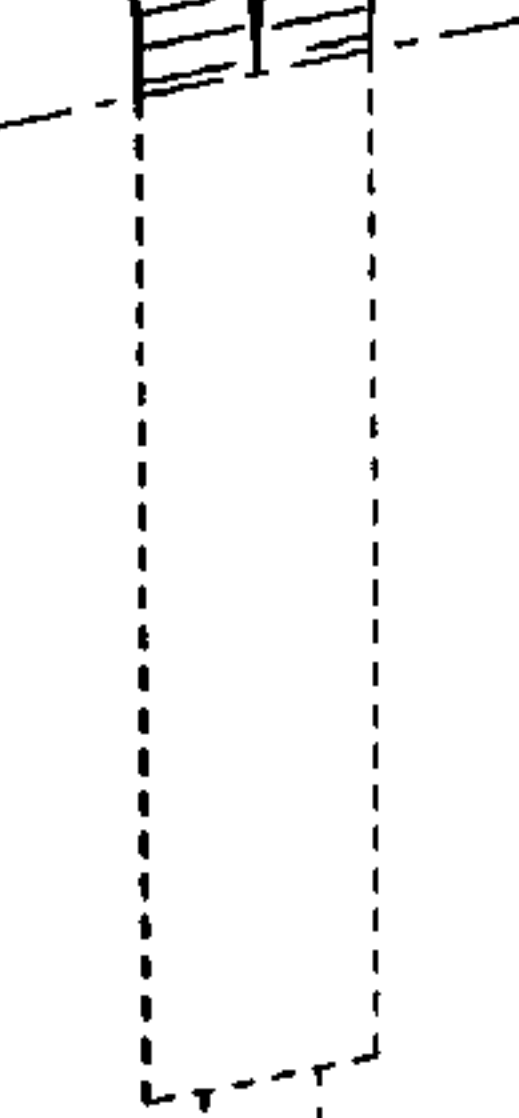
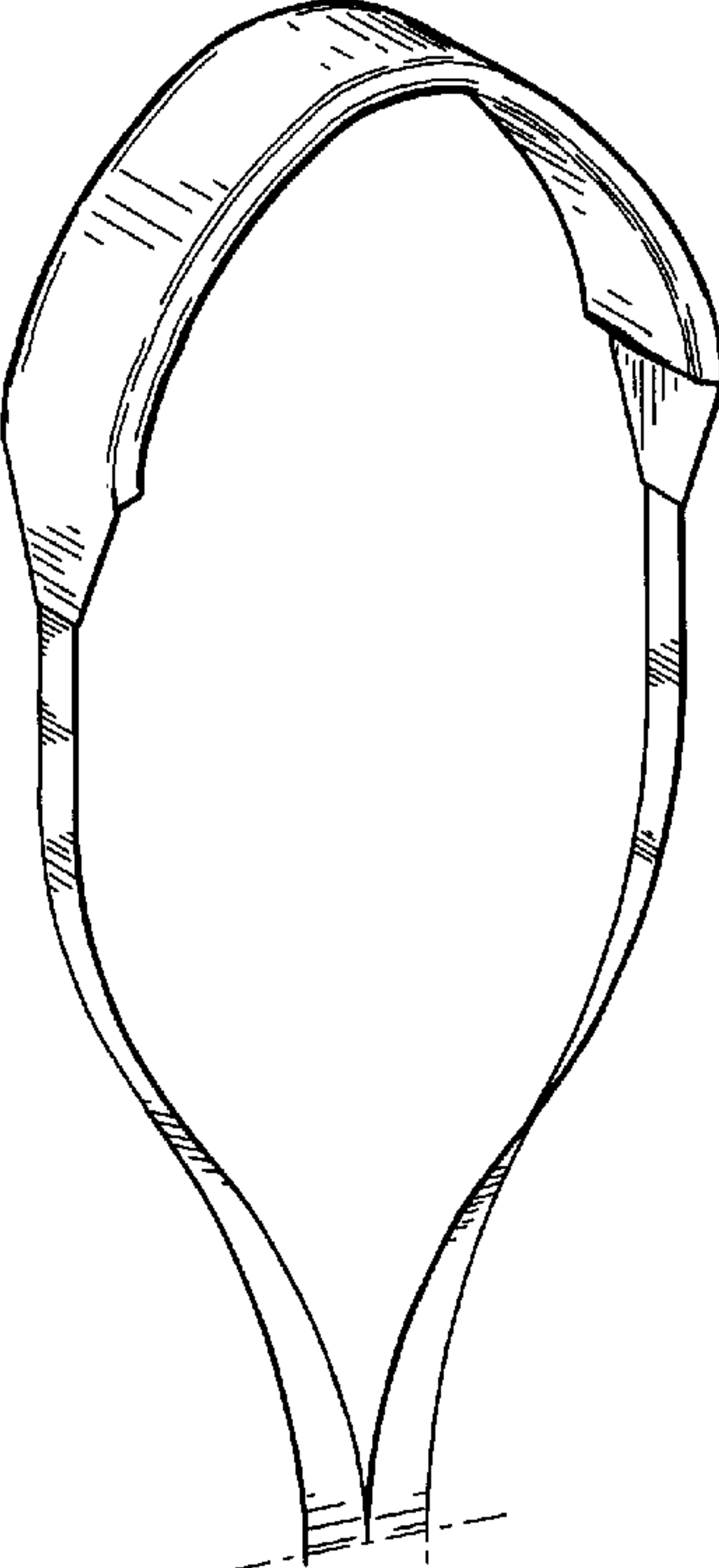
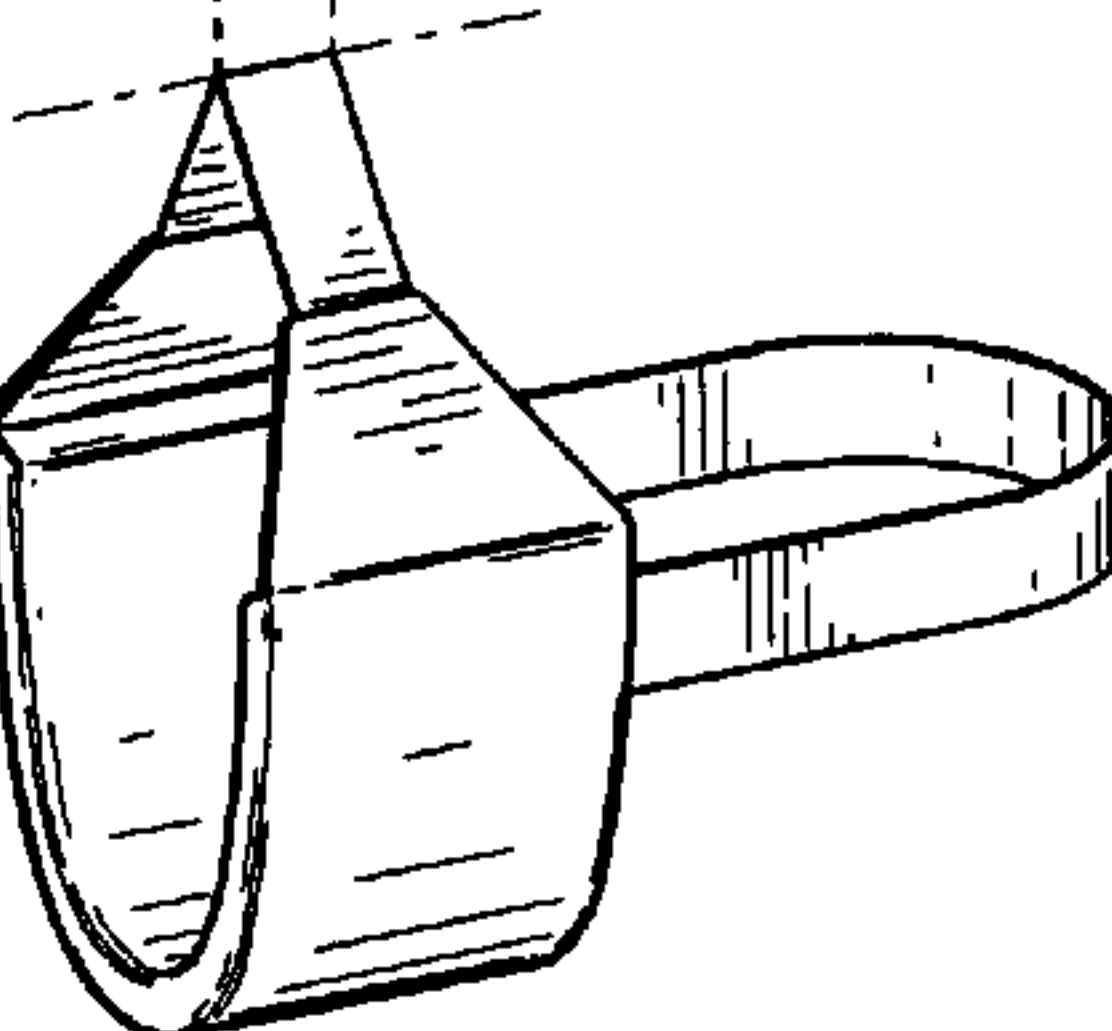
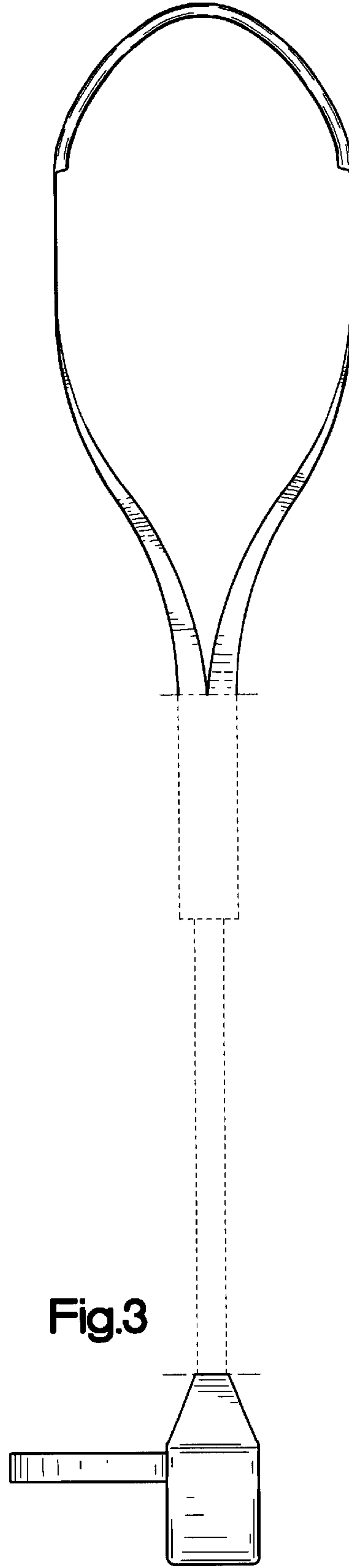
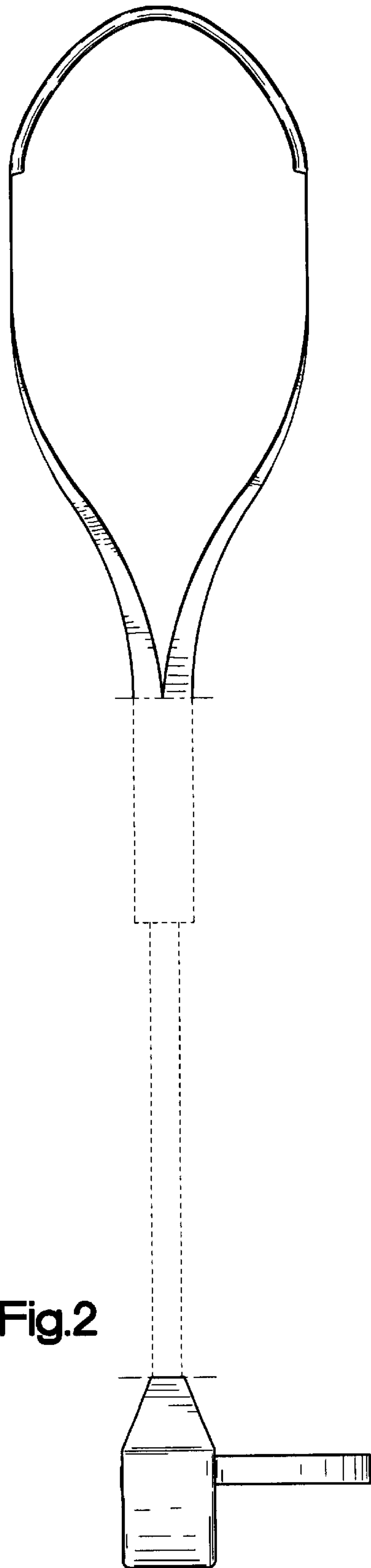


Fig.1





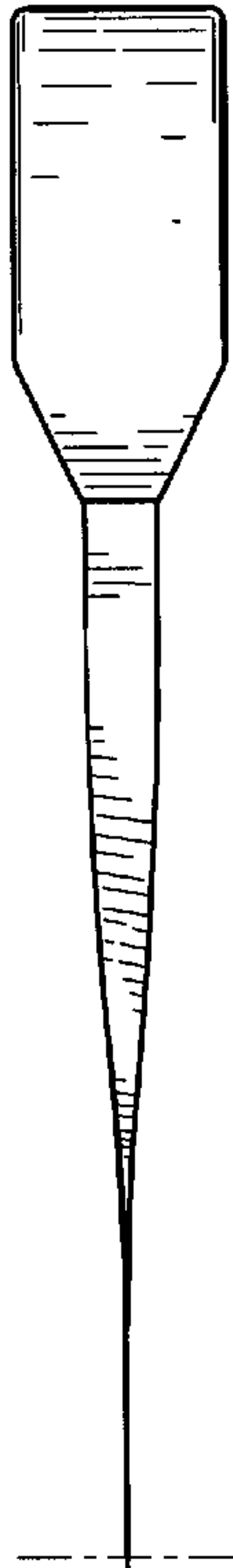


Fig.4

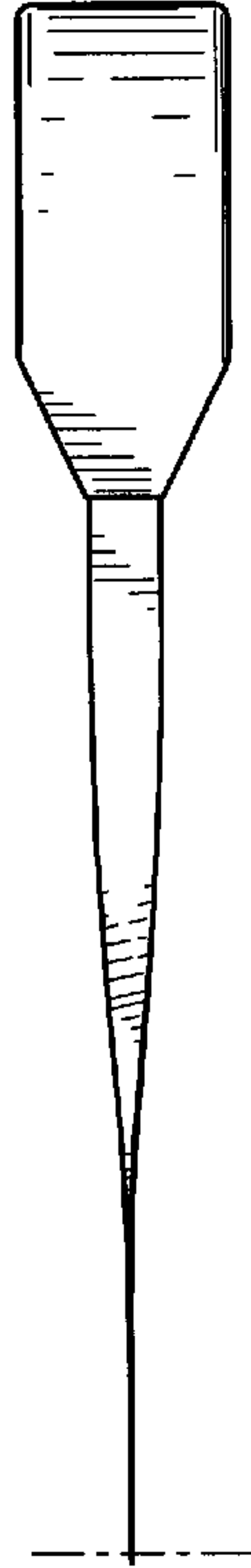
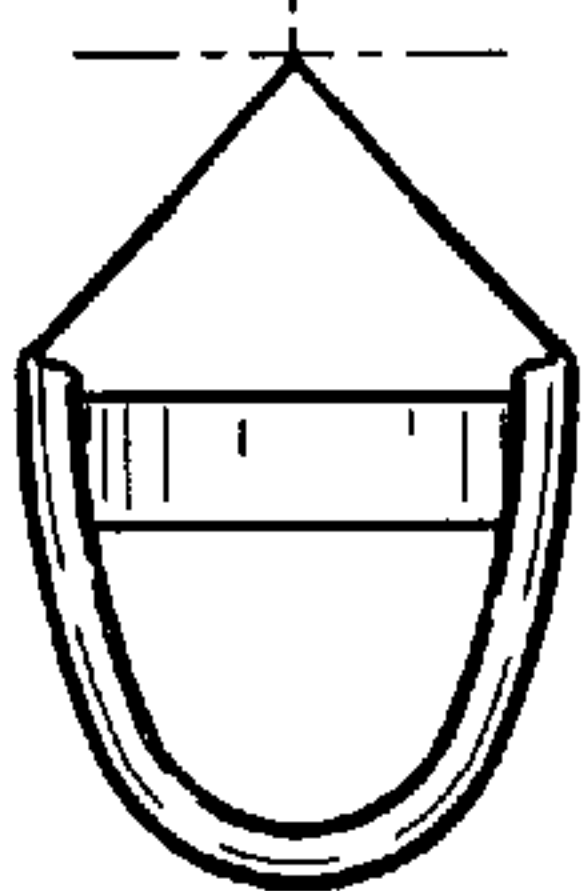


Fig.5

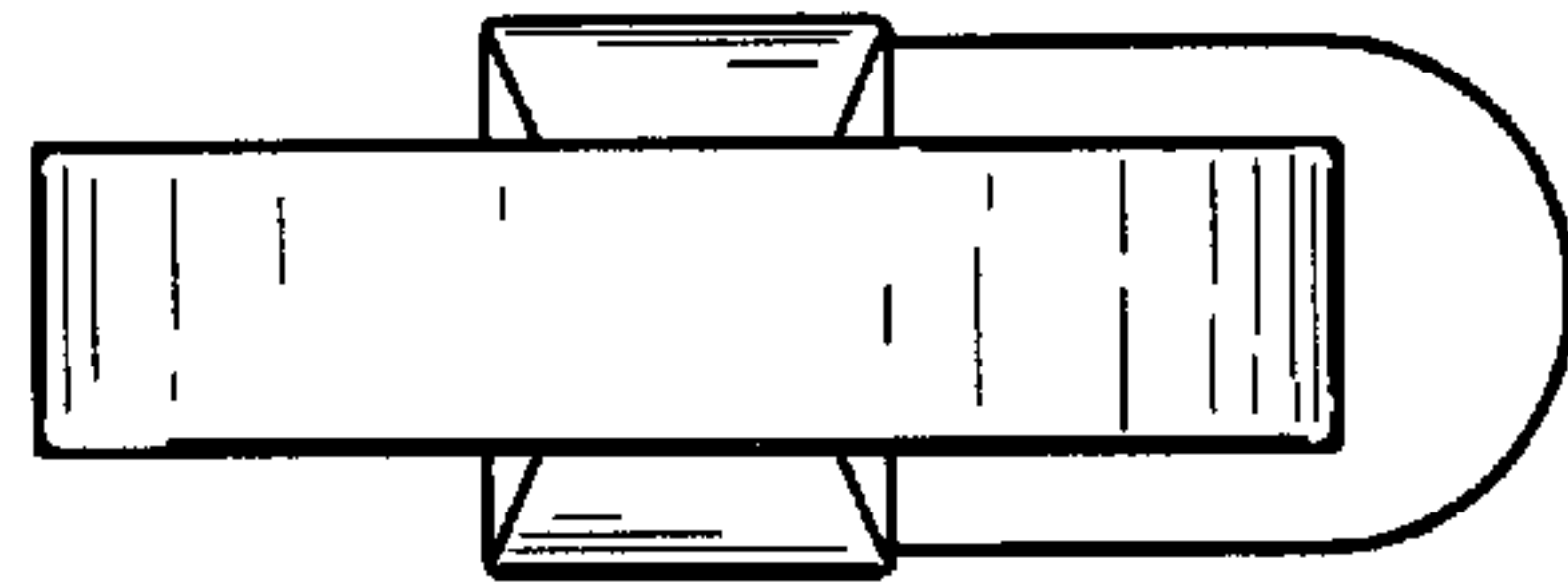
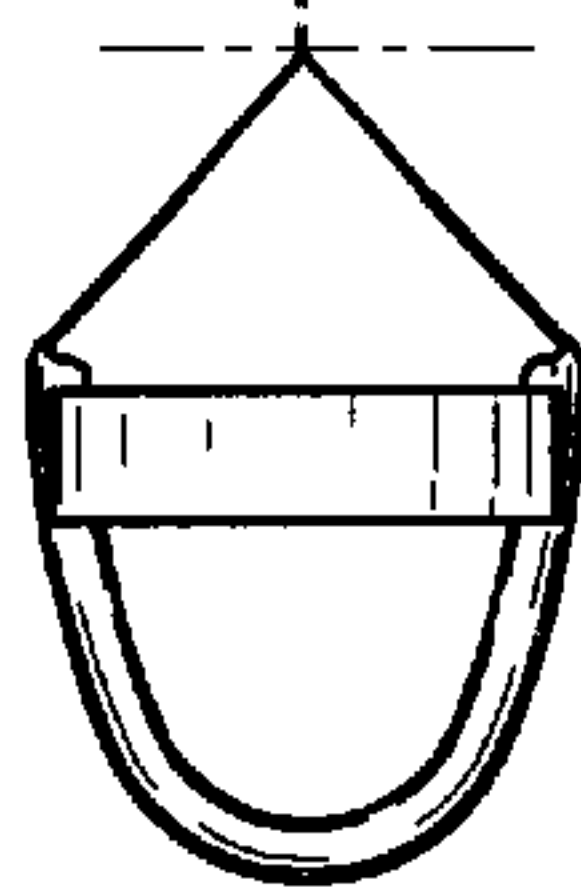


Fig.6

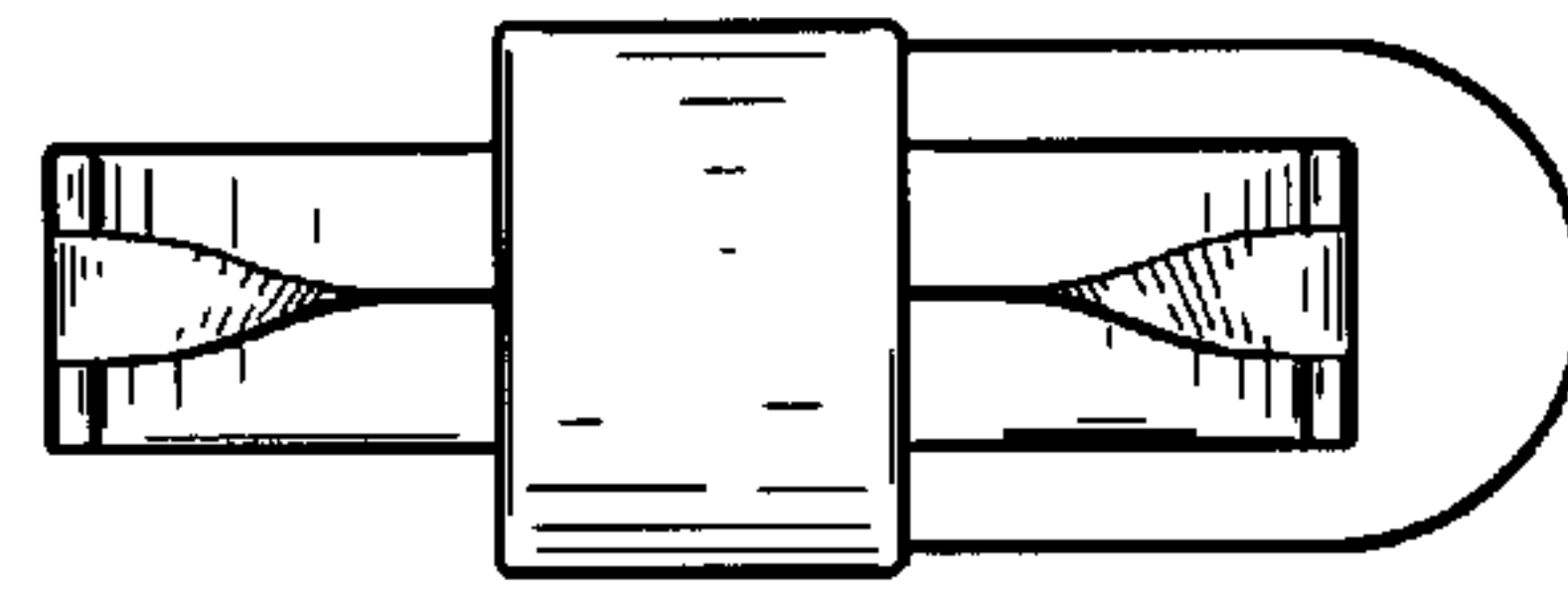


Fig.7