

US00D500130S

(12) **United States Design Patent**
Jung

(10) **Patent No.:** **US D500,130 S**

(45) **Date of Patent:** **** Dec. 21, 2004**

(54) **CONTROL HOUSING FOR A BIDET**

(76) **Inventor:** **Brian H. Jung**, 3736 Bel Pre Rd., #6,
Silver Spring, MD (US) 20906

(**) **Term:** **14 Years**

(21) **Appl. No.:** **29/175,264**

(22) **Filed:** **Feb. 3, 2003**

(51) **LOC (7) Cl.** **23-02**

(52) **U.S. Cl.** **D23/309**

(58) **Field of Search** D23/273, 274,
D23/295, 298, 299, 303, 309, 311-312;
4/332, 347, 448, 443-446, 449, 460, 217,
234, 237, 661

(56) **References Cited**

U.S. PATENT DOCUMENTS

3,932,901	A	*	1/1976	Inui et al.	4/332
3,939,500	A	*	2/1976	Miller et al.	4/332
4,642,820	A	*	2/1987	Boring, Jr.	4/448 X
D352,101	S	*	11/1994	Veal	D23/309
5,937,451	A	*	8/1999	Mihara	4/448
5,953,766	A	*	9/1999	Szoke	4/443 X

OTHER PUBLICATIONS

Lifestyles, Winter 94/95 catalog: Sofflow Bidet, item #JSB345, p. 29.*

* cited by examiner

Primary Examiner—Robert A. Delehanty

(57) **CLAIM**

The ornamental design for a control housing for a bidet, as shown and described.

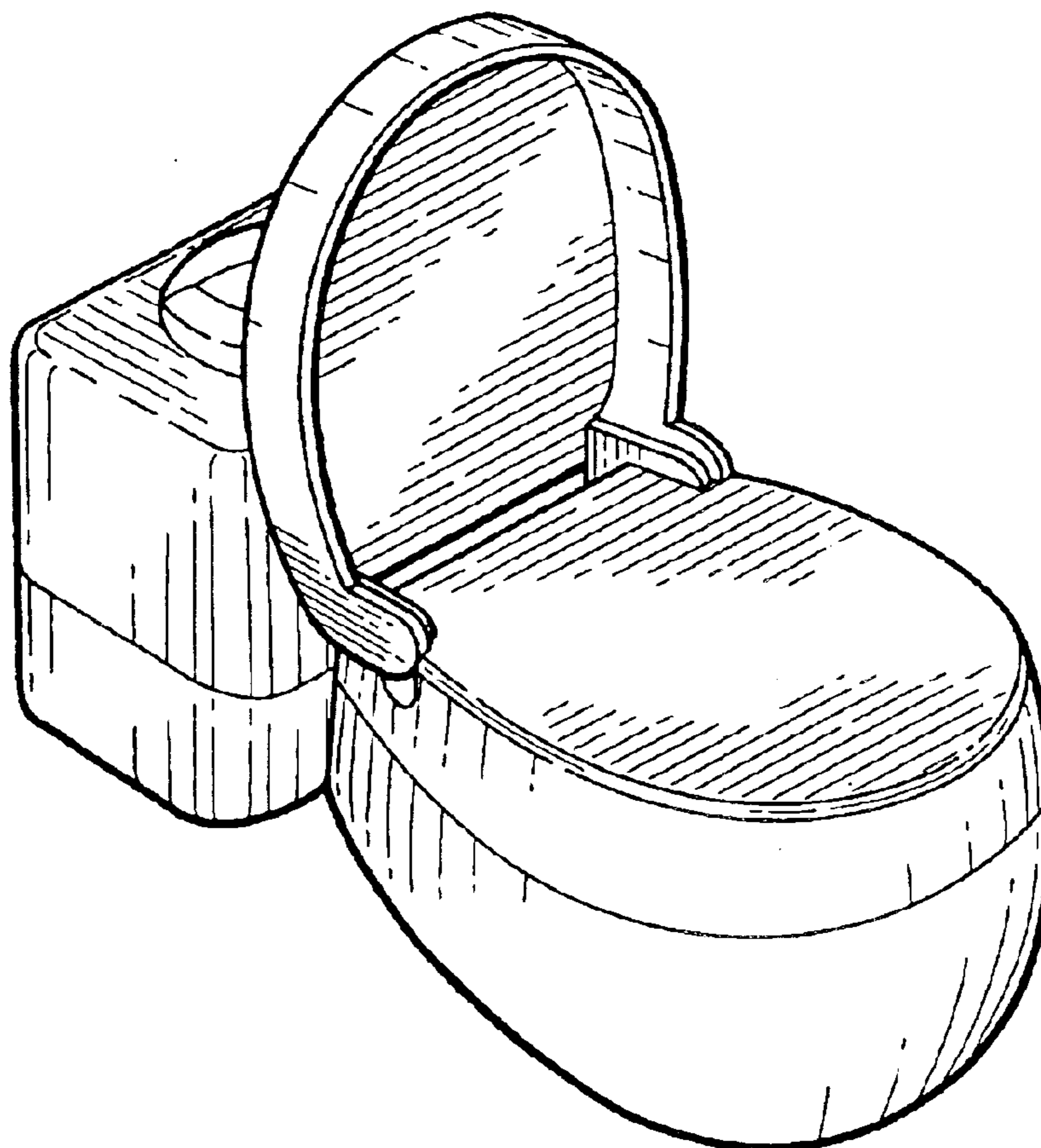
DESCRIPTION

FIG. 1 is a top, side perspective view of a control housing for a bidet showing my new design separately from the bidet seat for clarity of illustration, the housing cover being shown in the open position;

FIG. 2 is a top plan view shown in a reduced scale in association with a bidet seat shown in broken lines and forming no part of the claimed design, the housing cover being shown in the closed position; and,

FIG. 3 is a side elevation view shown on a further reduced scale in association with a bidet seat shown in broken lines and forming no part thereof, the housing cover being shown in the closed position.

1 Claim, 2 Drawing Sheets



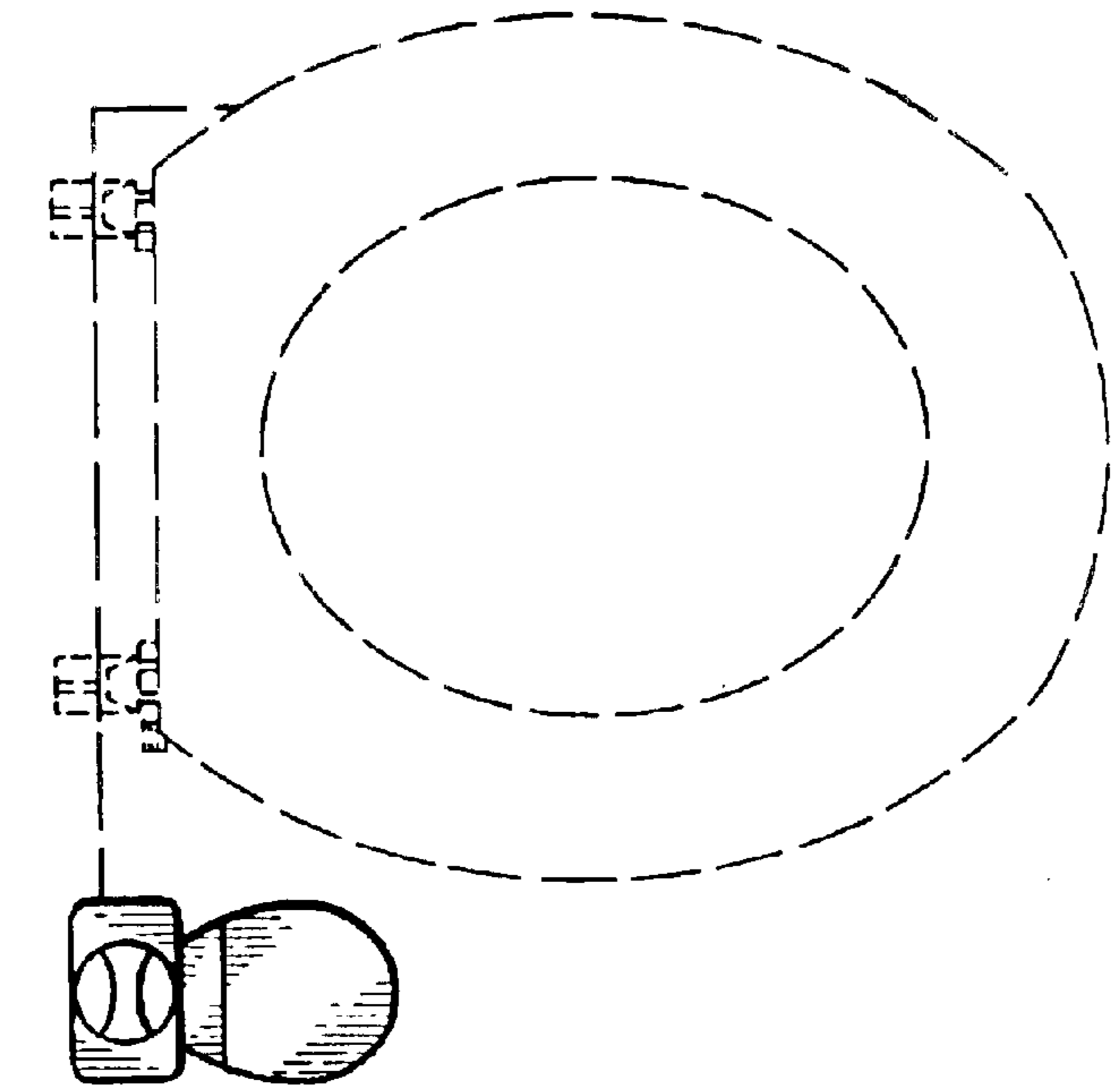


FIG. 2

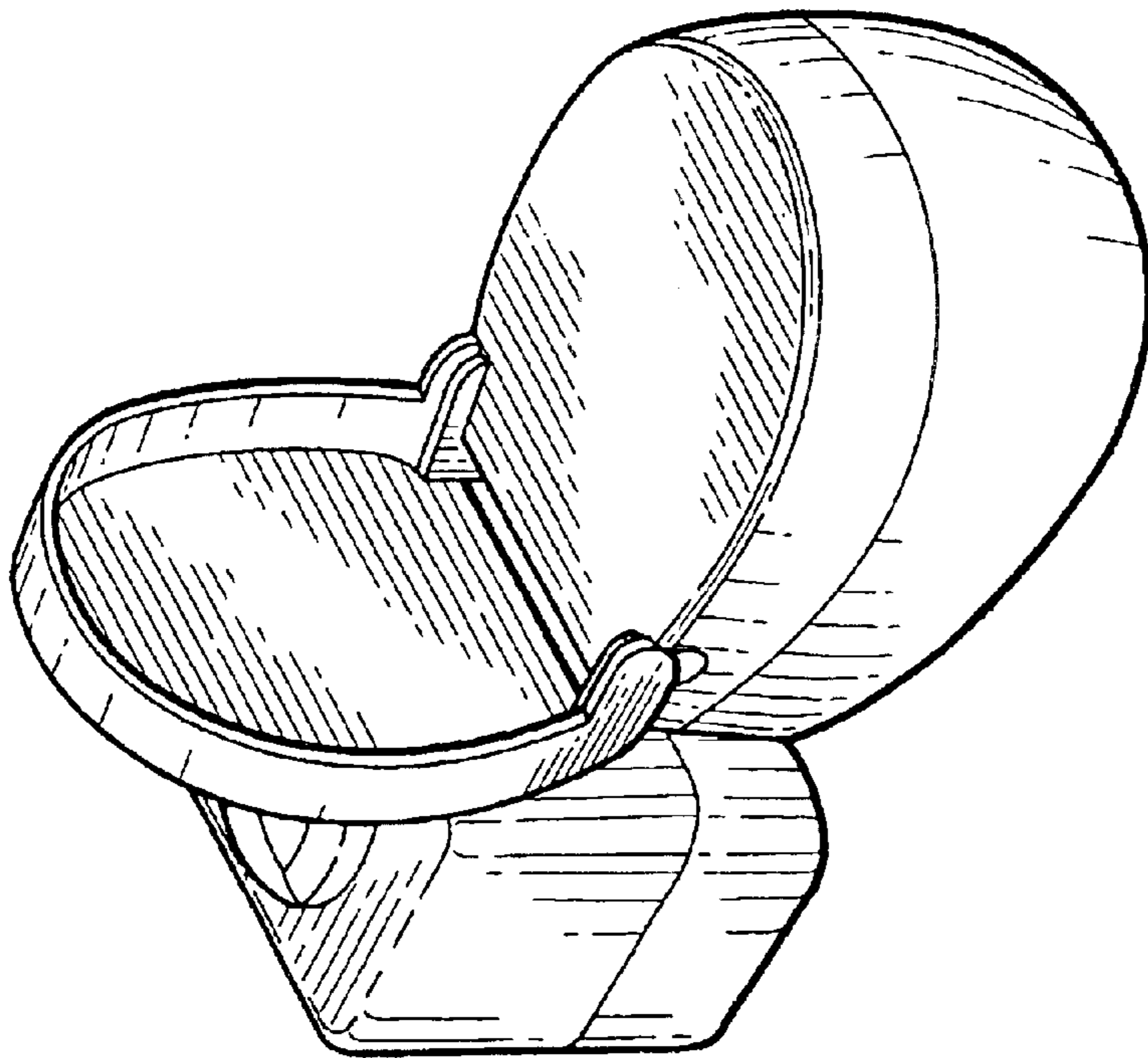


FIG. 1

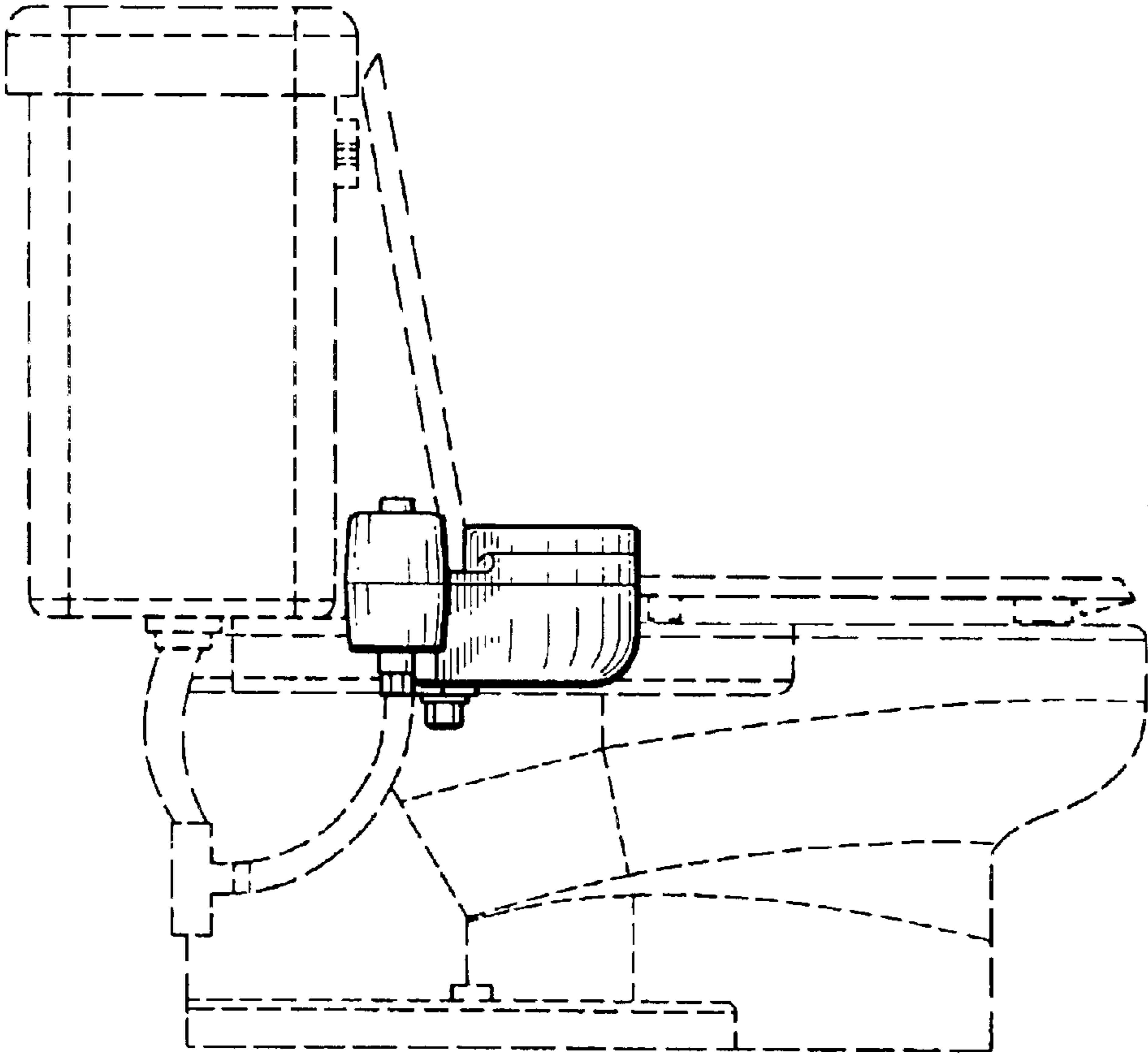


FIG. 3